

FURRION NET-ZERO

1000W Pure Sine Wave Power Inverter

Onduleur sinusoïdal 1000W

Instruction Manual / Manuel d'instructions

Model / Modèle: FIVBDP10A



Welcome

Thank you and congratulations for purchasing this Furrion® 1000W Pure Sine Wave Power Inverter. Before operating your new product, please read these instructions carefully. This instruction manual contains information for safe use, installation and maintenance of the product.

Please keep this instruction manual in a safe place for future reference. This will ensure safe use and reduce the risk of injury. Be sure to pass on this manual to new owners of this product.

The manufacturer does not accept responsibility for any damages as a result of not following these instructions.

If you have any further questions regarding our products, please contact us at **support@furrion.com**

Contents

Welcome	1
Contents	2
Important Safety Instructions.....	3
General Safety Precautions	3
Precautions When Working with Batteries.....	3
About your Product.....	4
Product Features.....	4
Protective Features of the Inverter.....	4
How your Inverter Works	4
Product Overview	5
Front Panel.....	5
Rear Panel.....	5
Installation	6
What's in the Box	6
Mounting the Inverter	6
Connecting to a Load	7
Connecting to a Power Source.....	9
Operation.....	10
Care and Maintenance	11
Fuse Replacement	11
Disposal of your Old Product and Batteries	11
Specifications	12
Troubleshooting.....	13
Warranty.....	14

Important Safety Instructions

WARNING

- Before using the Inverter, read and save the safety instructions.

IMPORTANT: THIS MANUAL CONTAINS IMPORTANT INFORMATION REGARDING SAFETY, OPERATION, MAINTENANCE AND STORAGE OF THIS PRODUCT. BEFORE USE, READ AND UNDERSTAND ALL CAUTIONS, WARNINGS, INSTRUCTIONS AND PRODUCTION LABELS, PLUS YOUR VEHICLE'S BATTERY MANUFACTURER GUIDELINES. FAILURE TO DO SO COULD RESULT IN INJURY AND/OR PROPERTY DAMAGE.

General Safety Precautions

- Do not expose the Inverter to rain, snow, spray, bilge or dust. To reduce risk of hazard, do not cover or obstruct the ventilation openings. Do not install the Inverter in a zero-clearance compartment. Overheating may result.
- To avoid a risk of fire and electronic shock. Make sure the existing wiring is in good electrical condition, and the wire size is not undersized.
- This equipment contains components which can produce arcs or sparks. To prevent fire or explosion do not install in compartments containing batteries or flammable materials or in locations which require ignition protected equipment. This includes any space containing gasoline-powered machinery, fuel tanks, joints, fittings, or other connection between components of the fuel system.
- Make sure the wires equipped are in good electrical condition. Do not operate the inverter with wires punctured or damaged.
- This is not a toy, keep away from children.

Precautions When Working with Batteries

- If battery acid contacts skin or clothing, wash immediately with soap and water. If acid enters eye, immediately flood eye with running cold water for at least 20 minutes and get medical attention immediately.
- Never smoke or allow a spark or flame in vicinity of battery.
- Do not let metal come in contact with the top of the battery. The resulting spark or short-circuit may cause an explosion.

About your Product

Product Features

- 1000 Watt continuous output for electronic appliances
- High surge power up to 2500W
- Pure sine wave output to operate higher-end electronic equipment
- Built in transfer switch with less than 20ms transfer time.
- Built in advance microprocessor
- Hard wire AC connection
- LED indicator with all operation status
- Low standby current

Protective Features of the Inverter

OVER TEMPERATURE PROTECTION – If the temperature inside the inverter is too high, the unit will automatically shut down. The inverter will automatically restart after the temperature inside recovers to normal.

LOW BATTERY VOLTAGE PROTECTION - This condition is not harmful to the inverter but could damage the power source. The inverter automatically shuts down when input voltage drops to 10.5 volts.

OVER VOLTAGE PROTECTION – The inverter will automatically shut down when the input voltage exceeds 15.3 volts DC. Input voltage exceeding 16 volts could damage the inverter.

OVERLOAD PROTECTION – The inverter will automatically shut down when the continuous draw exceeds rated watts.

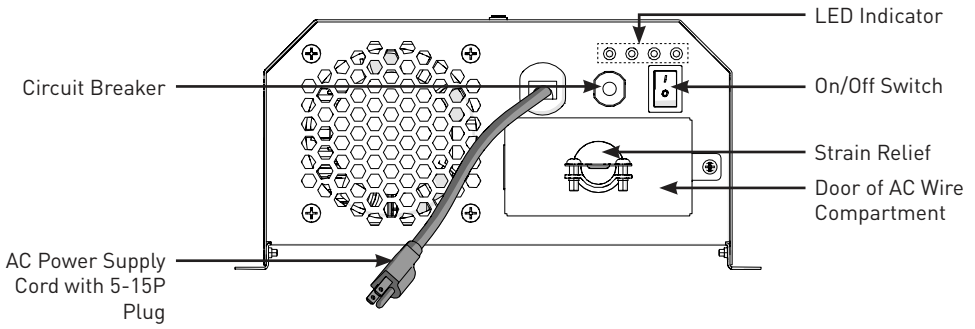
SHORT CIRCUIT PROTECTION – The inverter will shut down. Remove the short circuit and restart inverter.

How your Inverter Works

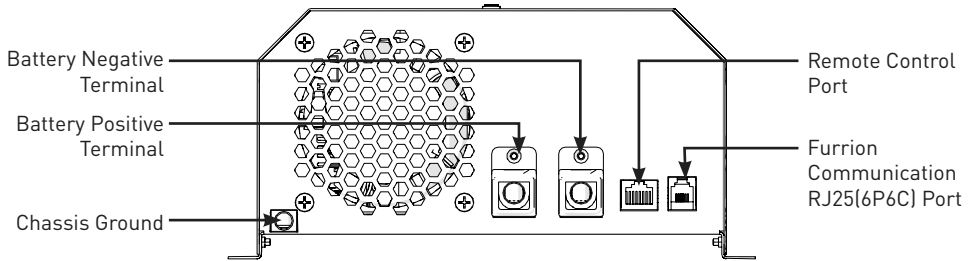
The Furrion power inverter is an electronic product that has been designed and built to take low voltage DC (Direct Current) power from your automobile or other low voltage power supplies and convert it to standard 115 Volt AC (Alternating Current) power similar to the current you have in your home. This conversion allows you to use many of your household appliances and electronic products in automobiles, RVs, boats, tractors, trucks and etc..

Product Overview

Front Panel



Rear Panel



Installation

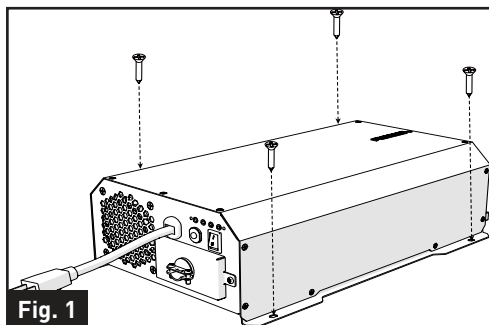
What's in the Box

Make sure you have all the following items included in the packaging. If any item is damaged or missing, contact your dealer.

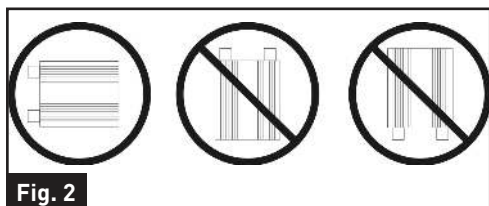
- Power Inverter x 1
- Instruction Manual x 1
- Warranty Card x 1

Mounting the Inverter

The inverter has four slots in its mounting bracket that allows the unit to be fastened against a bulkhead, floor, wall or other flat surface. (Fig. 1)



The inverter can be operated in any position, however, if it is to be mounted on a wall, mount it horizontally (see Fig. 2 for correct mounting direction) so that indicators, switches, outlets and terminal blocks located on the front panel are visible and accessible. If inverter is to be installed in a moving vehicle, it is strongly recommended that the inverter be shock-mounted either on the floor (in a clear, safe area) or on a secure flat surface.



The power inverter should be installed in an environment that meets the following requirements.

- **DRY** – Do not allow water to drip on or enter into the inverter.
- **COOL** – Ambient air temperature should be between 0°C and 40°C, the cooler the better.
- **SAFE** – Do not install the inverter in a battery compartment or other areas where volatile fumes may exist, such as fuel storage areas or engine compartments.
- **VENTILATED** – Keep the inverter (25mm at least) away from surrounding objects. Ensure the ventilation area of the unit is not obstructed.
- **DUST** – Do not install the Inverter in dusty environments. The dust can be inhaled into the unit when the cooling fan is working.
- **FUSED** – A fuse must be applied between the battery and the Inverter.
- **CLOSE TO BATTERIES** – Avoid excessive cable lengths. Do not install the Inverter in the same compartment as batteries.
- Use the recommended wire lengths and sizes.
- Do not mount the Inverter where it will be exposed to the gases produced by the battery. These gases are very corrosive, and prolonged exposure will damage the Inverter.

Installation

Connecting to a Load

WARNING

SHOCK HAZARD!

Before proceeding further, carefully check that the Inverter is NOT connected to any batteries, and that all wiring is disconnected from any electrical sources. Make sure the bypass AC input plug is disconnected to any AC source. Do not connect the output terminals of the Inverter to an incoming AC source. Make sure the power switch is in off position before and after the installation.

Neutral Grounding:

The neutral conductor of the AC output circuit of the inverter is automatically connected to the safety ground during inverter operation. This conforms to National Electrical Code requirements that a derived AC source, such as an inverter or generator, must have their neutral conductors tied to ground in the same way that the neutral conductor from the utility is tied to ground at the AC breaker panel. When AC utility power is present and the inverter is in bypass mode, this neutral to ground connection is not present. The utility power neutral is only connected to ground at the breaker panel.

Ground Fault Circuit Interrupters (GFCI):

Recreational Vehicles Installations (for North American approvals) will require GFCI protection. All branch circuits connected to the AC output hard wire should be GFCI protected. Additional electrical codes may require GFCI protection of certain receptacles in residential installations.

While the pure sine wave output of the inverter is equivalent to the waveform provided by utilities, compliance with

UL standards requires Furrion to test and recommend specific GFCI. Use only GENERAL PROTECT GROUP INC, Type DG15 ground-fault circuit-interrupter receptacles. Or AMERICAN ELECTRIC DEPOT INC, Type G1501 ground-fault circuit-interrupter receptacles. Other types may fail to operate properly when connected to this unit.

Hard-wire Installation

The AC wiring compartment is located on the front panel of the inverter.

1. Remove the AC wiring compartment cover to gain access to the AC output hard-wire (pigtail leads). (Fig. 3)

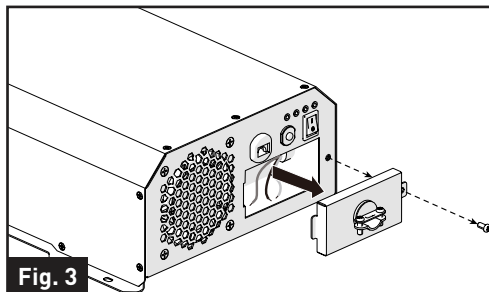


Fig. 3

2. Remove the metal wire clip from the cover. (Fig. 4)

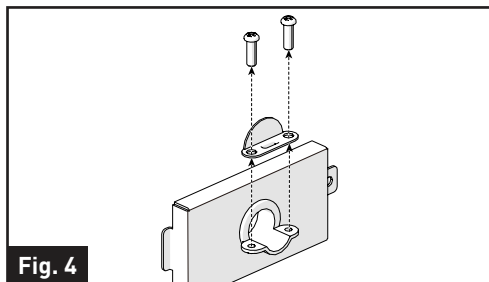
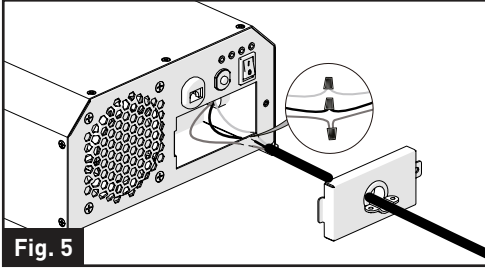


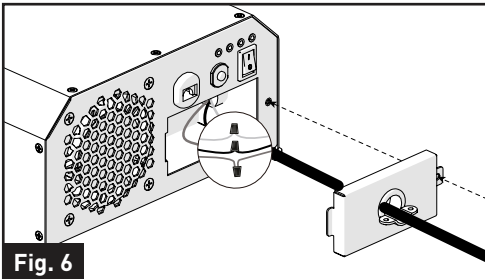
Fig. 4

Installation

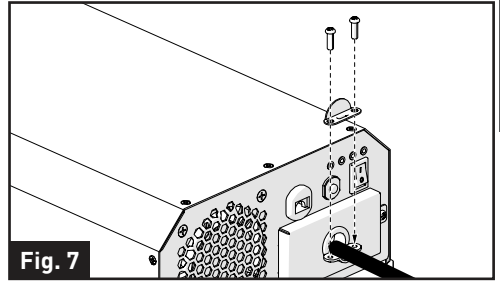
3. Connect the AC output wiring to the inverter AC output hard-wire (pigtail leads) by using wire connectors. Black to black, white to white. (Fig. 5)



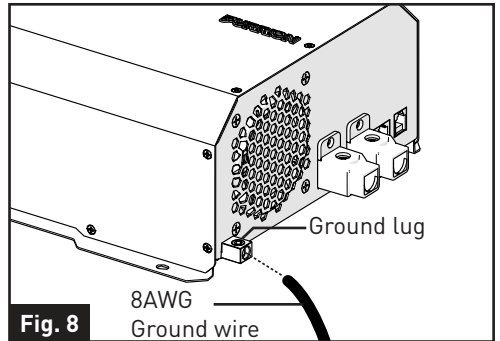
4. Double check all connections to make sure the wires are in correct position and all wires are secured.
5. Wrap the wires and place into the compartment. Replace the cover to the inverter and secure with the screw provided. (Fig. 6)



6. Replace the wire clip and fix with 2 screws provided. (Fig. 7)



7. Using a $\frac{5}{32}$ " hex wrench, loosen the ground lug screw located on the mid left side of the rear panel. Insert an 8AWG copper wire from this lug to chassis ground. Tighten the lug securely with 35inch-lbs torque maximum. (Fig. 8)



Installation

Connecting to a Power Source

⚠ CAUTION

- The power inverter must be connected only to batteries with a nominal output voltage of 12volts. The unit will not operate from a 6 volt battery, and will sustain permanent damage if connected to a 24 volt battery.
- The input current of this inverter is about 100A with full load, make sure the battery could discharge over 100A continuously.
- The battery should have a Cold Cranking Amp more than 500A.

⚠ CAUTION

Loose connectors may cause overheated wires and melted insulation. Check to make sure you have not reversed the polarity. Reverse polarity connection will result in a blown fuse and may cause permanent damage to the inverter. Damage due to reverse polarity is not covered by warranty.

⚠ WARNING

The installation of a fuse must be on the positive cable. Failure to place a fuse on "+" cables running between the Inverter and battery may cause damage to the inverter and will void warranty.

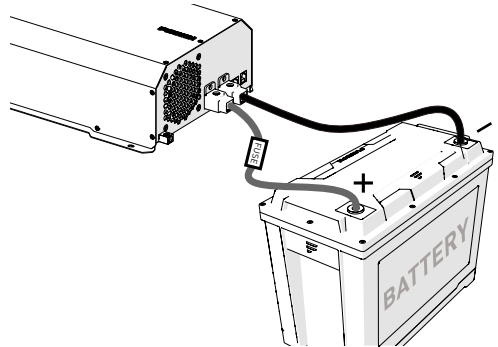
Furrion recommends the following cables for an optimum inverter performance.

External FUSE and DC Cable Selection

Wire AWG	Capacity of the fuse	Max distance between inverter and the battery
#4	150A	10FT

The following recommendations should always be followed while making connection between the battery and the Inverter.

- The cables should be made of high quality copper wiring, also keep the cable length as short as possible.
- Cables should be of adequate gauge for the length. The inverter performance will decrease if the cables are not of adequate gauge (too small or too long).
- Battery cable fusing - A fuse is required by the National Electrical Code (NEC) to protect the battery and cables, A UL listed DC rated slow blow fuse must be installed in positive battery cable, within 18 inches of the battery.
- Make sure the terminal screws are tight enough, max. 45inch-lbs torque for the screws.



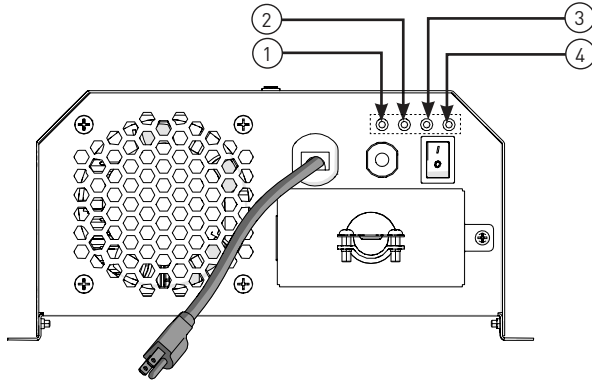
Operation

To operate the inverter, turn it on by pressing the ON/OFF switch. The inverter is now ready to deliver AC power to your loads. If you are loading several appliances, turn them on separately after the inverter switch is on, this process is to avoid the power inverter from delivering the starting current all at once to the loads.

The inverter can operate with and without being connected to a nominal 12V DC battery source by using the bypass AC input mode. Plugging the attached AC power cord into a 120V power source will result in an automatic bypass of the 12V DC power source. Disconnecting the 120V input source will automatically transfer back to the nominal 12V DC source.

Controls and indicators

①	Yellow LED	Indicates the inverter is activated.
②	Green LED	Indicates the bypass AC input is activated.
③	Red LED	Indicates the inverter is with overloading, over temperature, low battery voltage, over battery voltage or output short circuit.
④	Green LED	Indicates the inverter is operating normally.



NOTE: Press the ON/OFF button to restore when an error is encountered.

Care and Maintenance

Clean only with dry cloth. Do not clean the unit with strong chemical agents or abrasive cleaners. Never spill liquid of any kind on the product. Do not allow residue or liquids to enter any part of the appliance as this may cause risk of electrocution. Always disconnect from any power source before cleaning.

Fuse Replacement

CAUTION: NO USER-SERVICEABLE COMPONENTS INSIDE. DO NOT ATTEMPT TO OPEN THE INVERTER.

The inverter is equipped with a fuse that is located inside the inverter. Normally, the fuse will not blow unless a serious problem occurs such as high voltage and high temperature inside the inverter. Please DO NOT replace the fuse yourself, we recommend you contact a technician to find and fix the problems.

Disposal of your Old Product and Batteries

The inverter is designed and manufactured with high quality materials and components, which can be recycled and reused.

Please observe the local regulations regarding the disposal of packaging materials, exhausted batteries and old equipment.

Specifications

Specifications

Battery Voltage	10.5V~15VDC
AC Bypass Input	100~120Vac
Output Voltage	115 ±5 Vac
Output Frequency	60±1Hz
Output Waveform	Pure Sine Wave
Continuous Rated Power	1000w
Surge Output Power (2 Seconds)	2500w
Maximum Peak Efficiency	88%
Circuit Breaker	15A
Bypass Transfer Time	<20ms
Transfer Relay Rating	16A
Low Battery Protection	YES
Over Voltage Protection	YES
Over Load Protection	YES
Over Temperature Protection	YES
Battery Reverse Protection	YES, By Fuse
AC Output Short Circuit Protection	YES
Safety Standard	ETL Listed To UL 458 and CSA C22.2 NO.107.1
EMC Standards	Meet FCC Part 15 Class B
Operation Temperature	0°C~40°C/ 32°F~104°F
Operation Humidity	<90% RH Non-condensing
Storage Temp., Humidity	-30°C~+70°C/-22°F~+158°F, 10~95% RH
Dimension (L*W*H)	435*236*112mm
Net. Weight	5.05kg
Gross Weight	5.5kg

Troubleshooting

English

TROUBLE/SYMPTOM	POSSIBLE CAUSES	SOLUTION
No AC output <i>(Red LED lit, Yellow LED not lit)</i>	Low battery voltage	Recharge or replace battery
	Over battery voltage	Check the battery voltage
	Output short circuit protection	Check the output, remove the short circuit and restart the inverter by turning the switch off/on
	Inverter shut down by overload	Remove or reduce load, restart the inverter by turning the switch off/on
	Inverter overheat thermal shutdown	Remove or reduce load, wait for inverter to cool
No AC output <i>(Red & Green LED not lit)</i>	DC cable loosen or Inverter fuses open	Check cable connection Or contact technical support
Appliance won't start	Excessive start-up load	If appliance does not start, then appliance is drawing excessive wattage and will not work with inverter
Refrigerator won't start	Excessive start-up load	Check the load rating (the startup power is over 8 times of the rating power)
	The battery cable or the output wiring cable are not the correct size	Check the cables, and use the correct size of the cable
	The cold cranking amperage of the battery is lower than the starting load amperage requirement	Check the battery, and use the correct battery

Warranty

Furrion warrants for a period of 1 year from date of retail purchase by the original end-use purchaser, that this product, when delivered to you in new condition, in original packaging, from a Furrion authorized reseller and used in normal conditions, is free from any defects in manufacturing, materials, and workmanship. In case of such defect, Furrion shall replace or repair the product at no charge to you. This warranty does not cover: products where the original serial numbers have been removed, altered or cannot readily be determined; damage or loss caused by accident, misuse, abuse, neglect, product modification, failure to follow instructions in instruction manual, commercial or industrial use; damage or loss caused to the decorative surface of product; to any data, software or information; and normal wear and tear. This warranty only protects the original end-user ("you") and is not transferable; any attempt to transfer this warranty shall make it immediately void. This warranty is only valid in the country of purchase.

THIS WARRANTY AND REMEDIES SET FORTH ABOVE ARE EXCLUSIVE AND IN LIEU OF ALL OTHER WARRANTIES, REMEDIES AND CONDITIONS, WHETHER ORAL OR WRITTEN, EXPRESS OR IMPLIED. FURRIION SPECIFICALLY DISCLAIMS ANY AND ALL IMPLIED WARRANTIES, INCLUDING, WITHOUT LIMITATION, WARRANTIES OF MERCHANTABILITY AND FITNESS FOR A PARTICULAR PURPOSE. IF FURRIION CANNOT LAWFULLY DISCLAIM IMPLIED WARRANTIES UNDER THIS LIMITED WARRANTY, ALL SUCH WARRANTIES, INCLUDING WARRANTIES OF MERCHANTABILITY AND FITNESS FOR A PARTICULAR PURPOSE ARE LIMITED IN DURATION TO THE DURATION OF THIS WARRANTY.

No Furrion reseller, agent, or employee is authorized to make any modification, extension, or addition to this warranty.

Warranty

English

FURRIION IS NOT RESPONSIBLE FOR DIRECT, INDIRECT, SPECIAL, INCIDENTAL OR CONSEQUENTIAL DAMAGES RESULTING FROM ANY BREACH OF WARRANTY OR CONDITION, OR UNDER ANY OTHER LEGAL THEORY, INCLUDING BUT NOT LIMITED TO LOST PROFITS, DOWNTIME, GOODWILL, DAMAGE TO OR REPLACEMENT OF ANY EQUIPMENT OR PROPERTY, ANY COSTS OF RECOVERING, REPROGRAMMING, OR REPRODUCING ANY PROGRAM OR DATA STORED IN OR USED WITH FURRIION PRODUCTS. FURRIION'S TOTAL LIABILITY IS LIMITED TO THE REPAIR OR REPLACEMENT OF THIS PRODUCT PURSUANT TO THE TERMS OF THIS WARRANTY.

SOME STATES DO NOT ALLOW THE EXCLUSION OR LIMITATION OF INCIDENTAL OR CONSEQUENTIAL DAMAGES OR EXCLUSIONS OR LIMITATIONS ON THE DURATION OF IMPLIED WARRANTIES OR CONDITIONS, SO THE ABOVE LIMITATIONS OR EXCLUSIONS MAY NOT APPLY TO YOU. THIS WARRANTY GIVES YOU SPECIFIC LEGAL RIGHTS, AND YOU MAY ALSO HAVE OTHER RIGHTS THAT VARY BY STATE OR (WHERE APPLICABLE IN THE COUNTRIES WHERE FURRIION HAS NON-US/CANADIAN AUTHORIZED DEALERS) COUNTRY. NO ACTION OR CLAIM TO ENFORCE THIS WARRANTY SHALL BE COMMENCED AFTER THE EXPIRATION OF THE WARRANTY PERIOD.

Keep your receipt, delivery slip, or other appropriate payment record to establish the warranty period. Service under this warranty must be obtained by contacting Furrion at **warranty@furrion.com**

Product features or specifications as described or illustrated are subject to change without notice.

FURRION

Furrion Innovation Center & Institute of Technology

- 52567 Independence Ct., Elkhart, IN 46514, USA ● Toll free: 1-888-354-5792
- Email: support@furrion.com

©2007-2018 Furrion Ltd. Furrion® and the Furrion logo are trademarks licensed for use by Furrion Ltd. and registered in the U.S. and other countries.

©2007-2018 Furrion Ltd. Furrion® et le logo Furrion sont des marques déposées par Furrion Ltd. et enregistrées aux Etats-Unis et ailleurs.

FURRION.COM

FURRION

1000W DECK MOUNT INVERTER

FIVBDP10A



COMPATIBLE WITH
APPLIANCES UNDER 1000W



HIGH SURGE POWER

1000W

CONTINUOUS OUTPUT



HIGH QUALITY
PURE SINE WAVE



LED INDICATOR WITH
ALL OPERATIONS STATUS



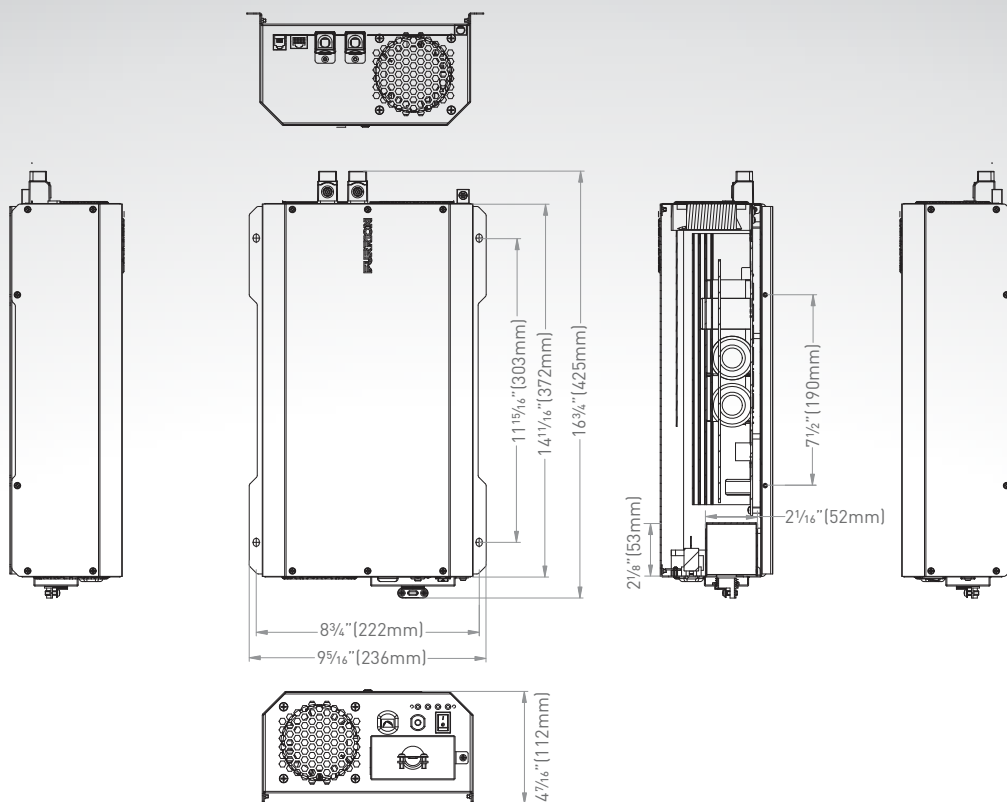
EASY
INSTALLATION

- Low standby current
- Built in advance microprocessor for friendly user interface

- Hardwire AC connection
- Built in transfer switch with a transfer time of less than 20 milliseconds



FIVBDP10A | 1000W DECK MOUNT INVERTER



Specifications

Battery Voltage	10~15Vdc
AC Bypass Input	100~120Vac
Output Voltage	115 ±5 Vac
Output Frequency	60±1Hz
Output Waveform	Pure Sine Wave
Continuous Rated Power	1000w
Surge Output Power (2 Seconds)	2500w
Maximum Peak Efficiency	88%
Circuit Breaker	15A
Bypass Transfer Time	<20ms
Transfer Relay Rating	16A
Low Battery Protection	√
Over Voltage Protection	√
Over Load Protection	√
Over Temperature Protection	√
Battery Reverse Protection	√ (By Fuse)
AC Output Short Circuit Protection	√
Safety Standard	ETL Listed To UL 458/ CSA C22.2 NO.107.1
EMC Standards	Meet FCC Part 15 Class B
Operation Temperature	0°C to 40°C/32°F to 104°F
Operation Humidity	<90% RH Non-condensing
Storage Temp., Humidity	-30°C to 70°C/-22°F to 158°F, 10 to 95% RH

Packaging Information

Packaging Type	Brown Box
Quantity Per Box (pcs)	1
Individual Packaging Dimensions (W x H x D)	18 7/16" x 11 1/8" x 7 5/16" (469 x 282 x 185mm)
Individual Packaging Gross Weight (kg/lbs)	5.1/11.3
Individual Packaging Net Weight (kg/lbs)	5.8/12.8

Master Carton

Packaging Type	Master Carton Box
Quantity Per Box (pcs)	2
Master Carton Dimensions (W x H x D)	19 3/16" x 11 13/16" x 15 3/8" (486 x 299 x 390mm)
Master Carton Gross Weight (kg/lbs)	12.3/27.1
Master Carton Net Weight (kg/lbs)	10.2/22.5

Container Load Information

45'HQ Container Load (pcs)	1760
----------------------------	------

* Note: "√"=Equipped

FURRION

WARRANTY CARD / CERTIFICAT DE GARANTIE
TARJETA DE GARANTÍA / GARANTIEKARTE
CARTÃO DE GARANTIA / CERTIFICATO DI GARANZIA

FIVBDP10A



1711902170-072018-05745

WARRANTY CARD

Congratulations on purchasing your new Furrion product. All Furrion products are made to strict quality standards. If used properly for its intended purpose, your product should provide many years of use.

We are pleased to provide you with a 1 year warranty on your Furrion product. The details of this warranty are set out in the terms and conditions (see reverse) which supplement the authorised dealer's Terms and Conditions of Sale.

This warranty is given in addition to your other rights under the laws of the country where you purchased this product.

Please visit www.furrion.com/productregistration to register your product.

LIMITED WARRANTY TERMS AND CONDITIONS

1. Furrion warrants that this product will be free from defects in workmanship and materials for a period of 1 year from date of retail purchase by the original end-use purchaser ("you") when delivered to you in new condition, in original packaging, from a Furrion authorised reseller and used in normal conditions. If a valid claim is made under warranty then you will only be entitled to claim in accordance with paragraph 6 below.
2. The warranty only applies to Furrion products: with a valid serial number; used for consumer, private use and not for commercial or industrial use; and where you have validated the warranty in accordance with paragraph 4 below.
3. The warranty does not cover damage or loss: caused by poor, faulty or incorrect use, installation or maintenance; caused by accident (including force majeure or natural forces), misuse, negligence, abrasion, improper storage following delivery, rot and/or infestation following delivery, leaks (or similar incidents); occurring during shipment (even when Furrion arranged or paid for shipping); caused by failure to follow instructions in the owner's guide, damaged; caused by normal wear and tear; caused by maintenance, repairs or modifications other than those carried out by an authorised dealer; caused to the decorative surface of the product; caused to any data, software or information. This warranty also excludes claims based on any misrepresentations by the seller; or if this product's serial number has been altered, defaced, removed or rendered unidentifiable.
4. To validate the warranty you must:
 - (a) fill in the registration card provided with this product; and
 - (b) register the warranty covering this product within 6 months of the date of the bill of sale by following the instructions on the registration card; and
 - (c) have the original bill of sale to validate warranty of this product.
5. If you require warranty service on this product, please cease using the product when a fault arises and contact us directly. You will have to present your original bill of sale to establish warranty coverage. Furrion's customer service can be reached at:
 - (i) For USA customers:
Email: support@furrion.com
Address: Furrion LLC, 52567 Independence Court Elkhart, IN 46514 USA
 - (ii) For Australia customers:
Email: warranty.au@furrion.com
Address: Furrion Ltd, Unit 614-615, Core D, Cyberport 3, 100 Cyberport Road, Hong Kong
Toll-free Number: 1-(800)-985-957

6. Following the filing of a claim, Furrion will investigate the claim. If we believe there is a defect covered by the warranty, we will at our option either repair or replace the defective product (or part).
7. Please note in the event that no defect can be found, it is your responsibility to pay for the re-delivery of the replacement items. If a defect is found, Furrion will pay for the re-delivery of the replacement items.
8. Installation of any repaired or replaced product will not be Furrion's responsibility.
9. If you do not allow the authorized dealer to inspect the product which is the subject of the warranty claim, you will invalidate the warranty in respect of that claim.
10. Any repaired or replaced Furrion product parts shall be guaranteed on the terms of this warranty for the unexpired portion of the warranty period only.
11. This warranty is non-transferrable and is personal to the original end-use purchaser as shown on the original dated bill of sale. Any attempt to transfer this warranty shall immediately render it void.
12. This warranty is subject to the jurisdiction of the courts of the State where you purchased this product, and any dispute or claim arising out of, or in connection with it or its subject matter, shall be governed by, and construed in accordance with the laws of that State.
13. In the event of any difference between this warranty and the provisions in any owner's manuals, warranty leaflets, or packaging cartons, the terms of this warranty shall prevail to the fullest extent allowed by law.

THIS WARRANTY AND REMEDIES SET FORTH ABOVE ARE EXCLUSIVE AND IN LIEU OF ALL OTHER WARRANTIES, REMEDIES AND CONDITIONS, WHETHER ORAL OR WRITTEN, EXPRESS OR IMPLIED. FURRIION SPECIFICALLY DISCLAIMS ANY AND ALL IMPLIED WARRANTIES, INCLUDING, WITHOUT LIMITATION, WARRANTIES OF MERCHANTABILITY AND FITNESS FOR A PARTICULAR PURPOSE. IF FURRIION CANNOT LAWFULLY DISCLAIM IMPLIED WARRANTIES UNDER THIS LIMITED WARRANTY, ALL SUCH WARRANTIES, INCLUDING WARRANTIES OF MERCHANTABILITY AND FITNESS FOR A PARTICULAR PURPOSE ARE LIMITED IN DURATION TO THE DURATION OF THIS WARRANTY.

NO FURRIION RESELLER, AGENT, OR EMPLOYEE IS AUTHORIZED TO MAKE ANY MODIFICATION, EXTENSION, OR ADDITION TO THIS WARRANTY.

FURRIION IS NOT RESPONSIBLE FOR DIRECT, INDIRECT, SPECIAL, INCIDENTAL OR CONSEQUENTIAL DAMAGES RESULTING FROM ANY BREACH OF WARRANTY OR CONDITION, OR UNDER ANY OTHER LEGAL THEORY, INCLUDING BUT NOT LIMITED TO LOST PROFITS, DOWNTIME, GOODWILL, DAMAGE TO OR REPLACEMENT OF ANY EQUIPMENT OR PROPERTY, ANY COSTS OF RECOVERING, REPROGRAMMING, OR REPRODUCING ANY PROGRAM OR DATA STORED IN OR USED WITH FURRIION PRODUCTS. FURRIION'S TOTAL LIABILITY IS LIMITED TO THE REPAIR OR REPLACEMENT OF THIS PRODUCT PURSUANT TO THE TERMS OF THIS WARRANTY.

SOME STATES DO NOT ALLOW THE EXCLUSION OR LIMITATION OF INCIDENTAL OR CONSEQUENTIAL DAMAGES OR EXCLUSIONS OR LIMITATIONS ON THE DURATION OF IMPLIED WARRANTIES OR CONDITIONS, SO THE ABOVE LIMITATIONS OR EXCLUSIONS MAY NOT APPLY TO YOU. THIS WARRANTY GIVES YOU SPECIFIC LEGAL RIGHTS, AND YOU MAY ALSO HAVE OTHER RIGHTS THAT VARY BY STATE OR (WHERE APPLICABLE IN THE COUNTRIES WHERE FURRIION HAS NON-US/CANADIAN AUTHORIZED DEALERS) COUNTRY. NO ACTION OR CLAIM TO ENFORCE THIS WARRANTY SHALL BE COMMENCED AFTER THE EXPIRATION OF THE WARRANTY PERIOD.

