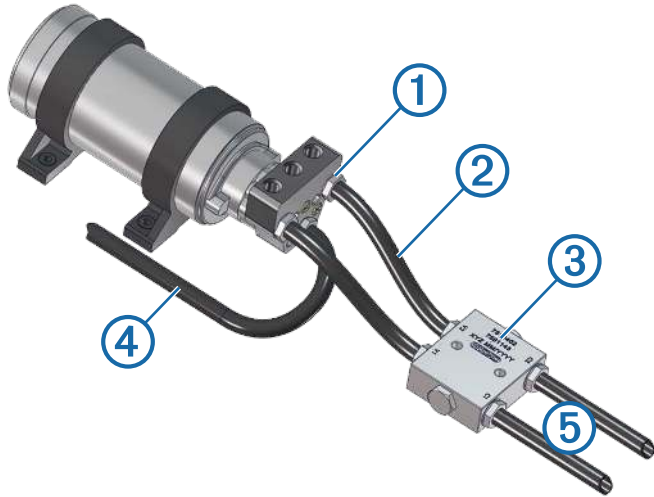




1.2L and 2.0L Pump Check Valve Instructions



Item	Description
①	The pump and the check valve use ORB-5 fittings. Fittings are not included with the pump or check valve.
②	The hoses connecting the pump to the check valve must not exceed 2 ft. (60 cm). Hydraulic hoses are not provided with the pump or check valve.

Item	Description
③	Check valve ports: V1/V2: Connect to the pump hoses C1/C2: Connect to the steering cylinder hoses
④	The return hose from the pump to the helm does not connect to the check valve. See the installation instructions provided with the pump for more information.
⑤	The hoses from the C1/C2 ports on the check valve should connect to the port and starboard steering lines using T-connectors. See the installation instructions provided with the pump for more information.

Completing the Check Valve Installation

Due to the purpose of a check valve, it may be difficult to bleed the air from the hydraulic hoses between the pump and the check valve, as well as the fluid spaces within the pump.

Because the check valve stops fluid from flowing back into the pump from the steering system, the pump may have difficulty self-priming. To correct this, a power-purge is necessary after installing the check valve.

- 1 Using the appropriate tools for your steering system, perform a power purge to fill the pump and check valve with hydraulic fluid.

A power purge causes a slight pressure rise in the reservoir which pushes fluid into the pump to prime it.
- 2 Follow the instructions provided with your Garmin® autopilot system to bleed the hydraulic system.

