

GARMIN®

GC™ 200 IP MARINE CAMERA INSTALLATION INSTRUCTIONS

Mounting Considerations

 **WARNING**

See the *Important Safety and Product Information* guide in the product box for product warnings and other important information.

You can mount the camera upside-down or sideways. You can reverse the camera image to use in rearview mode. See your chartplotter owner's manual for instructions.

NOTE: You must update your chartplotter software to setup and view the camera feed on your chartplotter.

- You must mount the camera in a location where it is not submerged, does not present a hazard in doorways or walkways, and cannot be damaged by docks, pilings, or other pieces of equipment.
- You should mount the camera in a location strong enough to support the weight of the device and where you can remove the camera.
- You should mount the camera so the LED is visible and the cables can be connected easily.
- To avoid interference with a magnetic compass, do not mount the camera closer to a compass than the compass-safe distance value listed in the product specifications.
- You should test the camera in the selected location before you permanently mount the camera.
- You can use the Garmin® Power Module to help make the installation easier. The Power Module uses a single camera cable instead of separate power and ethernet cables. This is especially beneficial when the camera is located far away from other electronics, such as near the bow or on a mast.

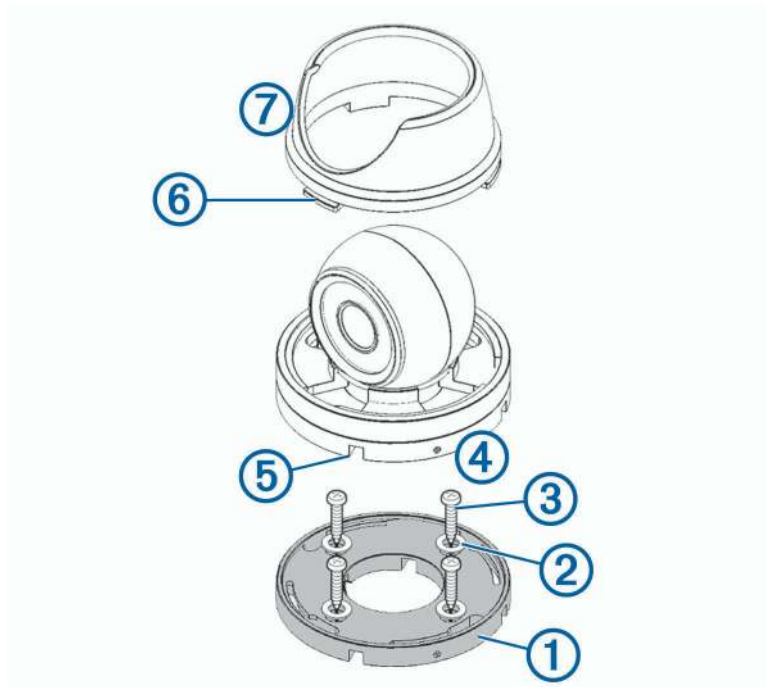
Tools Needed

- Drill and 2 mm ($1/16$ in.) drill bit
- Pozidriv® screwdriver



Mounting the Camera

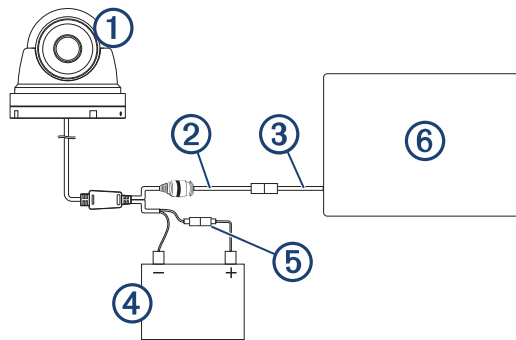
- 1 Secure the template to the mounting location.
- 2 Using a 2 mm ($1/16$ in.) drill bit, drill the pilot holes.
- 3 Using the included hex wrench, loosen the screw in the side of the camera base.
- 4 Remove the base from the camera body.
- 5 Feed the camera cables through the camera base, or through one of the cable channels.
- 6 Align the camera base with the pilot holes, and secure the camera base ① with the washers ② and screws ③.



- 7 Attach the camera ④ to the base, and tighten the screw in the camera base.
- 8 Connect the camera cables.
- 9 Align the slots on the camera base ⑤ with the collar lugs ⑥, and turn the collar ⑦ until it locks.

Connection Considerations

Connection Diagram with Direct Power



① GC 200 marine IP camera

② Garmin Marine Network cable small connector (included)

③ Garmin Marine Network Adapter Cable small to large (included)

9 to 18 Vdc power source (not included)

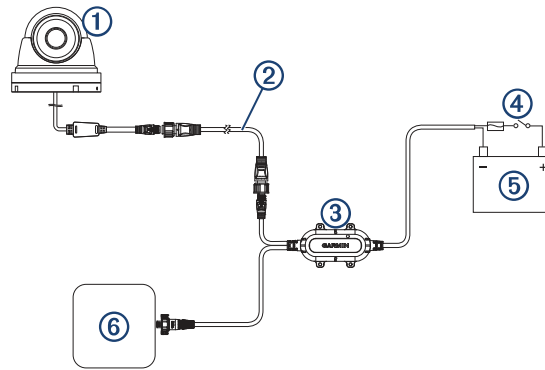
④ **NOTICE**
To avoid permanently damaging the camera, do not connect the camera directly to a 24 Vdc system. You must use a Garmin Power Module when connecting to a 24 Vdc system.

1 A fast-acting fuse (required, not included)

⑤ **NOTICE**
You must connect the power wire through a 1 A fast-acting fuse (not included). Without a fuse, the device can malfunction.

⑥ Garmin chartplotter (not included)

Connection Diagram with a Garmin Power Module



①	GC 200 marine IP camera
②	Garmin Marine Network cable small connector
③	Power module (010-12527-00, not included)
④	In-line switch (not included)
⑤	9 to 32 Vdc power source (not included)
⑥	Chartplotter (not included)

Camera Status LED

LED Activity	Status
Solid red	The camera is on.
Solid green	The camera is connected to the network and transmitting data.
Flashing green	The camera detects motion.

Specifications

Dimensions (Base W x H)	87 x 79 mm (3.4 x 3.1 in.)
Weight	520 g (1.2 lbs.)
Water rating	IEC 60529 IPX7 ¹
Operating temperature range	From -20 to 60°C (from 14 to 140°F)
Storage temperature range	From -30 to 60°C (from -4 to 140°F)
Input voltage	From 9 to 18 Vdc
Power module input voltage (not included)	From 9 to 32 Vdc
Operating current with infrared on	370 mA
Operating current with infrared off	210 mA
Power consumption	Max 5 W with infrared on
Fuse	1 A fast-acting (required for direct power connection, not included)
Horizontal viewing angle	99.2 +/- 3 degrees
Vertical viewing angle	74 +/- 3 degrees
Infrared distance	30 m (98.4 ft.)
Compass-safe distance	10 cm (4 in.)

© 2021 Garmin Ltd. or its subsidiaries

Garmin® and the Garmin logo are trademarks of Garmin Ltd. or its subsidiaries, registered in the USA and other countries. GC™ is a trademark of Garmin Ltd. or its subsidiaries. These trademarks may not be used without the express permission of Garmin.

Pozidriv® is a trademark of the American Screw Company.

¹ The device withstands incidental exposure to water of up to 1 m for up to 30 min. For more information, go to www.garmin.com/waterrating.

GARMIN.



IMPORTANT SAFETY AND PRODUCT INFORMATION

⚠ WARNING

Failure to heed the following warnings could result in an accident resulting in death or serious injury.

Distraction Warning

This device is intended to enhance the situational awareness when used properly. If used improperly, you could become distracted by the display, which could lead to an accident causing serious personal injury or death. Only access the information displayed on the device with a glance. Always maintain awareness of your surroundings and do not stare at the display or become distracted by the display. Focusing on the display could prevent you from avoiding obstacles or hazards.

NOTICE

Failure to heed the following notices could result in personal or property damage, or negatively impact the device functionality.

Camera Legal Notice

Some jurisdictions may prohibit or regulate recording audio and video, or taking photographs. Jurisdictions may require that all parties have knowledge of the recording and provide consent before you record audio and video or take photographs. It is your responsibility to know and comply with all laws, regulations, and any other restrictions in your jurisdiction.

Product Environmental Programs

Information about the Garmin® product recycling program and WEEE, RoHS, REACH, and other compliance programs can be found at garmin.com/aboutGarmin/environment.

FCC Compliance

This device complies with part 15 of the FCC Rules. Operation is subject to the following two conditions: (1) this device may not cause harmful interference, and (2) this device must accept any interference received, including interference that may cause undesired operation.

This equipment has been tested and found to comply with the limits for a Class B digital device, pursuant to part 15 of the FCC rules. These limits are designed to provide reasonable protection against harmful interference in a residential installation. This equipment generates, uses, and can radiate radio frequency energy and may cause harmful interference to radio communications if not installed and used in accordance with the instructions. However, there is no guarantee that interference will not occur in a particular installation. If this equipment does cause harmful interference to radio or television reception, which can be determined by turning the equipment off and on, the user is encouraged to try to correct the interference by one of the following measures:

- Reorient or relocate the receiving antenna.
- Increase the separation between the equipment and the receiver.
- Connect the equipment into an outlet on a circuit different from that to which the receiver is connected.
- Consult the dealer or an experienced radio/TV technician for help.

This product does not contain any user-serviceable parts. Repairs should only be made by an authorized Garmin service center. Unauthorized repairs or modifications could result in permanent damage to the equipment, and void your warranty and your authority to operate this device under Part 15 regulations.

Declaration of Conformity

Hereby, Garmin declares that this product is in compliance with the Directive 2014/30/EU. The full text of the EU declaration of conformity is available at the following internet address: garmin.com/compliance.

UK Declaration of Conformity

Hereby, Garmin declares that this product is in compliance with the relevant statutory requirements. The full text of the declaration of conformity is available at the following internet address: garmin.com/compliance.

Innovation, Science and Economic Development Canada Compliance

This device contains licence-exempt transmitter(s)/ receiver(s) that comply with Innovation, Science and Economic Development Canada's licence-exempt RSS(s). Operation is subject to the following two conditions: (1) this device may not cause interference, and (2) this device must accept any interference, including interference that may cause undesired operation of the device.

Limited Warranty

The Garmin standard limited warranty applies to this accessory. For more information, go to www.garmin.com/support/warranty.

TÄHTIS OHUTUS- JA TOOTEALANE TEAVE

HOIATUS

Alltoodud hoiatuste eiramine võib tuua endaga kaasa surma või tõsise kehavigastusega lõppeva õnnetuse.

Häirimishoiatus

Õigel kasutamisel aitab seade sinu ümber toimuvast saada parema ülevaate. Valesti kasutamisel võib ekraan segada su keskendumisvõimet, mille tagajärjeks võib olla tõsise kehavigastuse või surmaga lõppev õnnetus. Heida ekraanil olevale teabele üksnes kiire pilk. Jälgi alati enda ümber toimuvat ja ära vaata ekraani liiga kaua ega lase sel end segada. Kui oled ekraanile keskendunud, võivad jääda teel olevad takistused ja ohuallikad tähelepanuta.

TEATIS

Alltoodud märkuste eiramisega võib kaasneda kehavigastus, vara kahjustumine või häired seadme töös.

Kaameraga seotud õigusteave

Mõnes jurisdiktsioonis võib heli ja video jäädvustamine ning fotode pildistamine keelatud või reguleeritud olla. Mõnes jurisdiktsioonis on kehtestatud nõue, et kõik osapooled peavad olema salvestamisest teadlikud ning enne heli või video jäädvustamist või foto pildistamist peavad nad selleks nõusoleku andma. Teie vastutate selle eest, et olete seadustega kursis ja järgite kõiki privaatsust puudutavaid kohalikke seadusi ja eeskirju.

Toote keskkonnasäästukavad

Teavet ettevõtte Garmin toote taaskasutusprogrammi ning WEEE, RoHS-i, REACH-i ja muude vastavusprogrammide kohta vt veebiaadressilt [garmin.com/aboutGarmin/environment](https://www.garmin.com/aboutGarmin/environment).

Vastavusdeklaratsioon

Käesolevaga kinnitab Garmin toote vastavust direktiivi 2014/30/EL nõuetele. EL-i vastavusdeklaratsiooni kogu tekst on saadaval interneti-aadressil: [garmin.com/compliance](https://www.garmin.com/compliance).

Piiratud garantii

Käesolevale tootele kehtib Garmini tavaline piiratud garantii. Lisateavet vt veebiaadressilt www.garmin.com/support/warranty.html.

© 2018 Garmin Ltd. or its subsidiaries