



- Household -

USER MANUAL

NUGGET ICE MAKER

GIMN-1000B



Household Use Only

THANK YOU FOR HAVING GEVI A PART OF YOUR HOME

Gevi is a newly built brand specializing in small home appliances. Our goal is to bring convenience and joy to families around the world. We are proud of the innovation and quality that put into every Gevi product and we hope you will too. To ensure proper use of this appliance and make it last longer, please read this manual thoroughly before using and save it for future reference.

To let us better provide service, register your Gevi appliances online now to receive important product information and warranty details. You may also find our contact ways in the Customer Support section of this User Manual.

One more important notice: Keep the ice maker upright for at least 2 hours before first use and every time it's heavily skewed or inverted.



Gevi Team

Table Of Contents

IMPORTANT SAFETY INSTRUCTIONS.....	1
GET YOUR ICE MAKER READY.....	3
Unpacking.....	3
Know Your Ice Maker.....	3
Before First Use.....	6
HOW TO USE.....	7
Operation Guide.....	7
Ice Making.....	9
Cleaning.....	10
Descaling.....	11
TROUBLE SHOOTING.....	12
TECHNICAL PARAMETERS.....	14
CUSTOMER SUPPORT.....	14
WARRANTY.....	15

IMPORTANT SAFETY INSTRUCTIONS

READ ALL INSTRUCTIONS BEFORE USING

Nugget Ice Maker



To reduce the risk of fire, explosion, electric shock, or injury when using your ice maker, follow these important safety instructions:

- Before using, check if the power source corresponds to 120V, 60Hz.
- Do not remove any safety, warning, or product information labels from your ice maker.
- Plug the ice maker into an exclusive grounded outlet, do not use an adapter. No other appliance should be plugged into the same outlet. Be sure that the plug is fully inserted into the receptacle.
- Do not operate any appliance with a damage cord or plug or after the appliance malfunction or has been damaged in any manner. Return the appliance to the nearest authorized service facility for examination, repair or adjustment.
- Do not store or use gasoline or other flammable material and vapors around this appliance.
- Avoid the use of an extension cord because it may overheat and cause a risk of fire. However, if it is necessary to use an extension cord:
 - › Use only extension cords with grounding plug.
 - › The marked rating of an extension cord must be equal to or greater than the rating of this appliance.
 - › It should be positioned such that it does not drape over the counter or tabletop where it can be pulled on by children intentionally.
- Do not try to open the housing of the ice maker for repair, study or otherwise purpose. This action may result in frostbite, electrical shock, fire, property loss or death.
- The action of cleaning ice maker requires scale remover which contains acids. Acids can cause burns. If skin contact with concentrated cleaner may happen, flush with water. If swallowed, drink large amount of water or milk and call physician immediately. Keep scale remover out of reach of children.
- Repair service shall be performed by qualified electric service personnel and component parts shall be replaced with manufacturer authorized replacement components.
- When handling, installing, and operating the appliance, care should be taken to avoid damage to the refrigerant tubing.

IMPORTANT SAFETY INSTRUCTIONS

READ ALL INSTRUCTIONS BEFORE USING

Nugget Ice Maker

Outdoor Use Notice

- **Keep Cool:** Operation in ambient temperature beyond the limits listed in this manual (Refer to page 6) may result in severe damage which is not covered by warranty.
- **Keep Upright:** Place on level surface only, skewed placement may damage the refrigeration system.
- **Provide Shade:** Heat from the sun will reduce the unit's ability to make and store ice. UV radiation can potentially damage the plastic components.

Electricity

Do not, under any circumstances, remove the ground prong from the power cord or use an adaptor that prevents it from functioning. For personal safety, this unit must be properly grounded.

- Do not plug or unplug the unit with wet hand.
- Grounding is to minimize the possibility of electric shock hazard. The power cord of this appliance is equipped with a 3-prong plug which mates with a standard 3-prong wall outlet. Have your wall outlet and circuit checked by a qualified electrician to make sure it's properly grounded.
- The appliance should not be plugged into a 2-prong outlet, it is user's responsibility and obligation to replace it with a properly grounded 3-prong wall outlet.
- The unit should always be plugged into its rated source, 120 volt, 60 Hz, 15 amp circuit. This helps the machine to provide the best performance and also prevents overloading wiring circuits which could potentially cause a fire hazard from overheated wires.
- Repair or replace immediately all power cords that are frayed or otherwise damaged. Do not use a cord that has cracks or abrasion damage along its length or at either end.

Disposal of Your Appliance

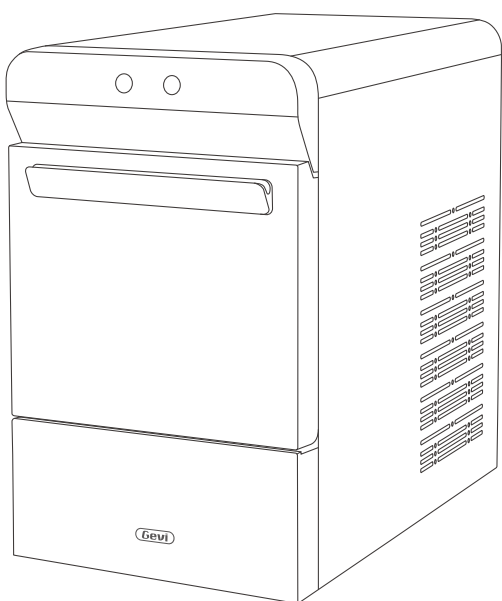
All refrigeration products contain flammable refrigerants, which under federal law must be removed prior to disposal. Please check with the company handling the disposal for what to do if you are getting rid of refrigeration product.

Unpacking

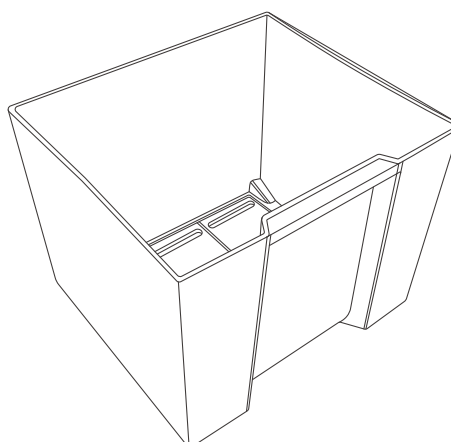
IMPORTANT : Do not remove any safety, warning, or product information labels from your ice maker.

- Package includes: 1 ice maker, 1 ice basket, 1 ice scoop, 1 10ft 1/4" hose and 1 user manual.
- Remove tape and any labels from your ice maker before using (except for the labels listed above).
- Do not use sharp tools, alcohol, flammable fluids or rough cleaners to remove tape or glue. These items can cause damage to the surface of your ice maker.

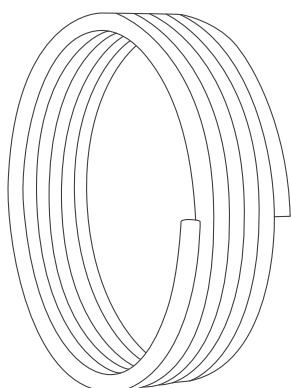
Know Your Ice Maker



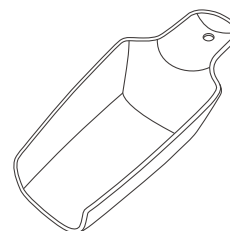
Gevi Ice Maker



Ice Basket



10ft 1/4" hose

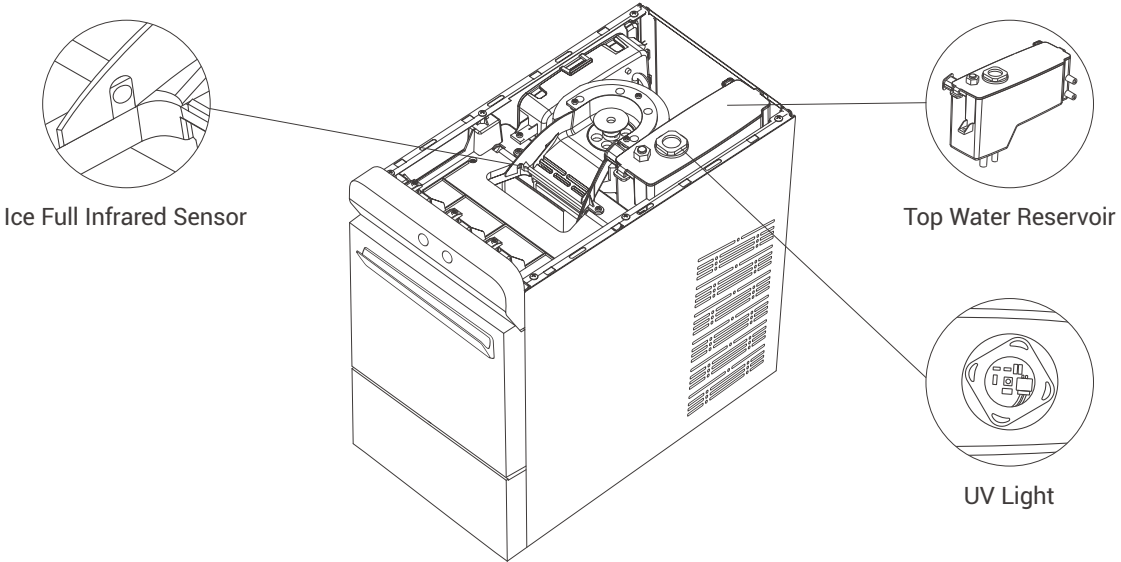
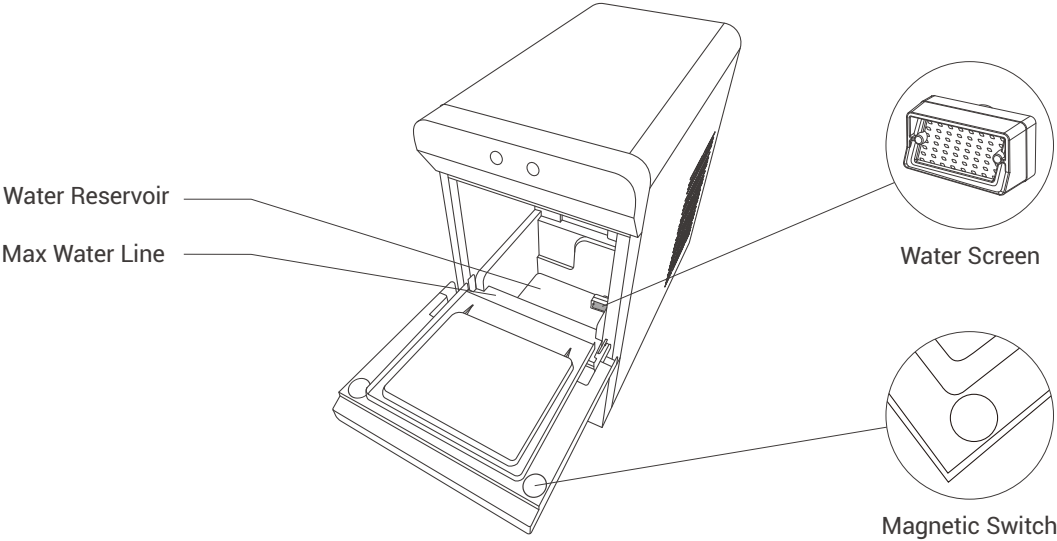
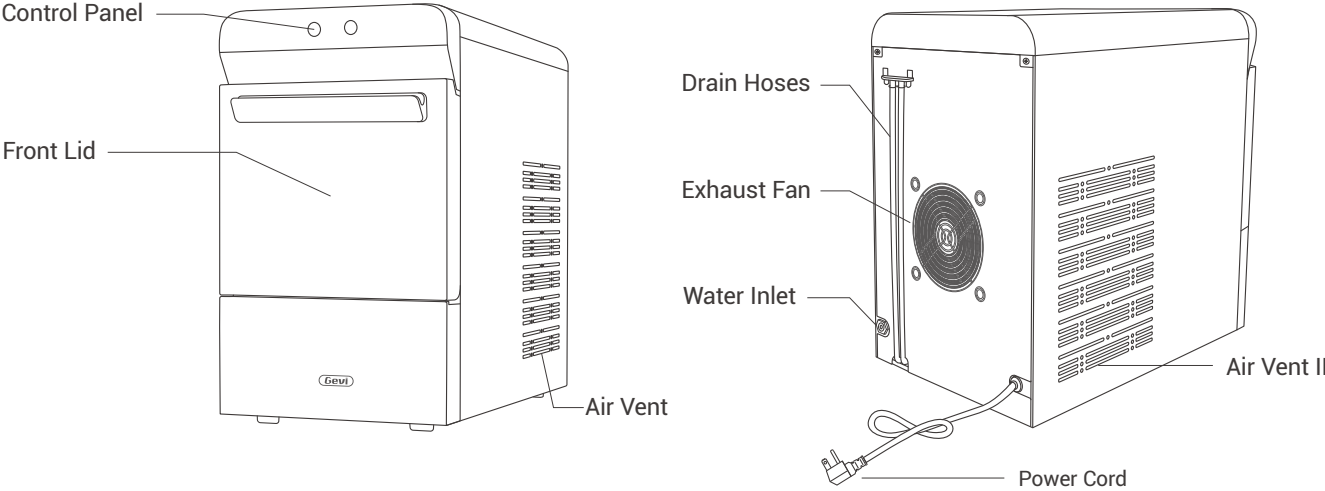


Ice Scoop

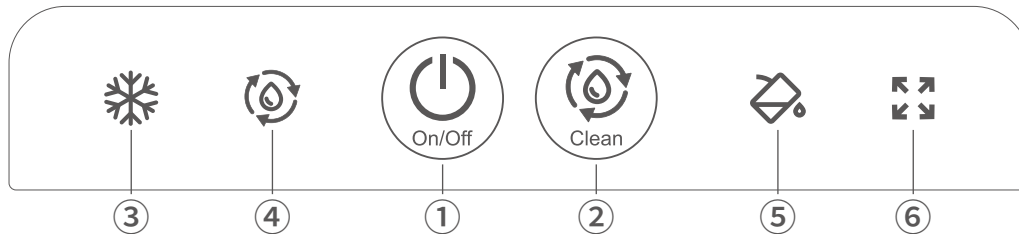
GET YOUR ICE MAKER READY

Nugget Ice Maker

Know Your Ice Maker



Know Your Ice Maker



Control Buttons

- ① On/Off - Press to turn the ice maker on or off.
- ② Clean - Press and hold for 3 seconds to enter self-cleaning program.

Indicators

- ③ ❄️ - Keep flashing when the ice maker is plugged in, glow solidly during ice making.
- ④ 🔄 - Glow white when the ice maker is running self-cleaning program.
- ⑤ 💧 - Glow white when the water supply is not enough to continue making ice.
- ⑥ 🔄 - Glow white when the ice basket is full.

FAQs

1. Water Residue Found

Every Gevi Ice Maker goes through a running test before leaving the plant, so it's normal to find water residue in water reservoir or drain hoses. Run self-cleaning program twice with fresh water before first use.

2. Time of Ice Making

Time of ice making is affected by the ambient and water temperature. (Refer to page 6 for temperature range.) The first ice comes out between 15 and 30 minutes. Usually, it takes 3-4 hours to fill the ice basket.

3. Water Flowing During Ice Making

Every time the ice maker starts making ice or water is refilled. Water flows through the ice chute into water reservoir, this is to cool the water. Water will stop flowing when its temperature is low enough to form ice.

4. Sounds Made by Ice Maker

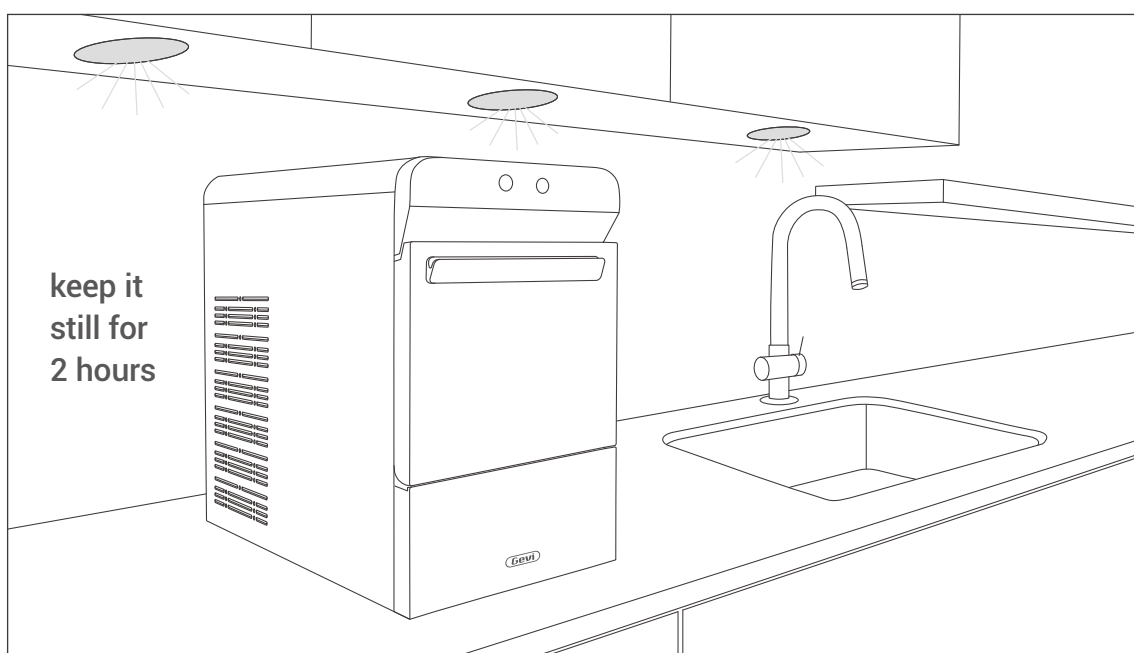
The ice maker is designed to work quietly but will make some sounds during operation.

5. Heat Generation

It's normal for the ice maker to generate some heat during working, especially when it has kept working for a long time.

Before First Use

1. Unpack and check if all the items (Refer to page 3) are available. Please contact Gevi Customer Service if anything is missing.
2. Ensure the ice maker stands upright on the level surface. After the jolt of transport, keep the ice maker still for 2 hours before plugging in.
3. The incline angle should not exceed 45° when moving. Turning upside down is strictly forbidden. Doing so can cause damage to the compressor or refrigerating system.
4. Keep the environment dry and stay away from heat sources such as ovens, heaters and corrosive gases. Maintain at least 6 inches clearance on all sides of the ice maker for ventilation.
5. The ice maker should operate between 50°F (10°C) and 90°F (32°C). Use water with a temperature between 46°F (8°C) and 82°F (28°C) for ice making or cleaning. Exceeding the limit may result in severe damage which is not covered by the warranty.
6. Clean your ice maker and accessories. Add water to the reservoir, run self-cleaning program twice with fresh water, and then drain it out through the drain hoses.
7. Add water to the reservoir, start ice making, discard the initial batch of ice, this helps to ensure the best taste.



Operation Guide

1. Two Ways of Adding Water

- Automatically add water by connecting tap water with the 10ft 1/4" hose (included in the package). Insert one end of it into the water inlet and connect the other end to water tap through a faucet adapter (excluded from the package). Water refill will stop if you turn off the machine, or open and close the lid.
- Manually add water by pouring potable water into the water reservoir. Do not exceed the "Max" water line.

Notes

The water used for ice making needs to be between 46°F(8°C) and 82°F (28°C).

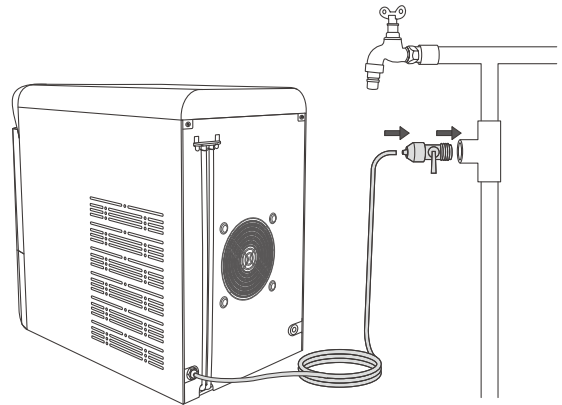


Figure 1

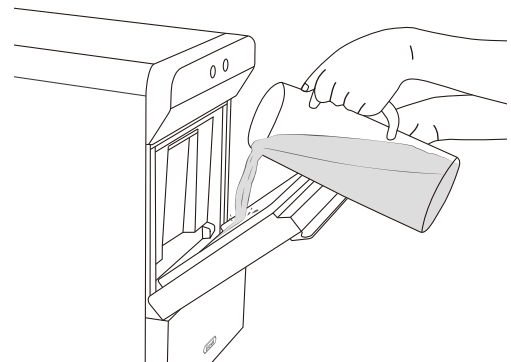


Figure 2

2. Drain Water

- Take the drain hoses off and put them in a sink or a bucket. Make sure that the end of the hoses are lower than the bottom of the ice maker.
- Remove the drain cap. The drain hoses will drain the water by themselves.
- After fully drained, seal back the drain hoses and hang them up at the back of your ice maker.

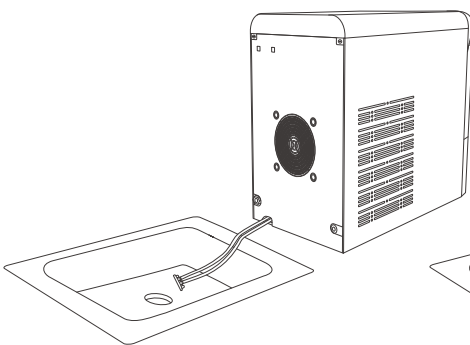


Figure 3

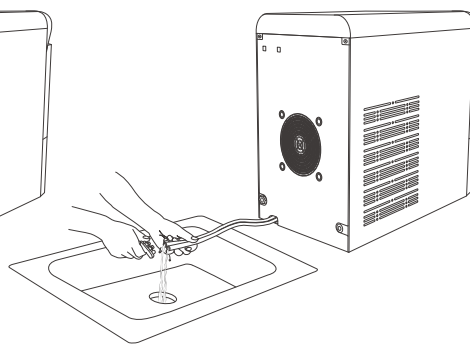


Figure 4

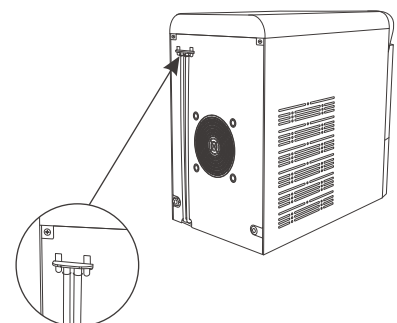


Figure 5

Notes

Drain the ice maker should be through the drain hoses at the back of the machine. Do not tip the ice maker over.

3.Heat Dissipation

The ice maker generates some heat while it is working, so a 6-inch clearance on all sides should be kept for proper ventilation.

Remember to keep the environment dry and stay away from heat sources such as ovens, heaters and corrosive gases.

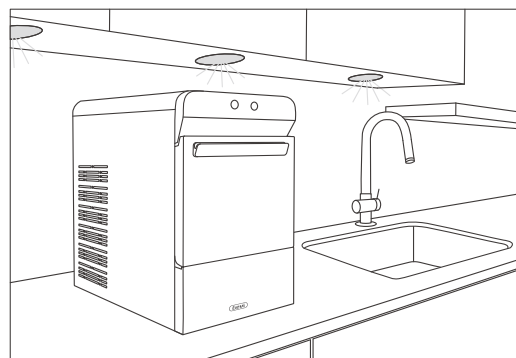






Figure 6


4.Magnetic Switch

Magnetic switch in the lid works for the below two scenarios.

Scenario 1. The ice maker stops ice making when the  indicator is on. When you open and close the lid, the magnetic switch triggers ice making. If the ice full infrared sensor (refer to page 4) detects that the ice is not full, the machine continues ice making. Otherwise, the indicator of  lights up again. This is designed to save energy in case the ice melts and the machine restarts making ice constantly but no one is around.

Scenario 2. The ice maker stops ice making when the water is not enough , it will not continue to make ice until there's enough water. When you open and close the lid, the magnetic switch triggers water level detection. If there's enough water for ice making, the machine will resume ice making. Otherwise, the indicator of  lights up again. Be aware that if you connect the ice maker to a water supply, the action of opening and closing the lid will trigger the magnetic switch to stop auto water refill and restart ice making.

5.Turn Off the Ice Maker

Short press "On/Off" button to turn off the ice maker. The machine will continue to work for an extra 30-60s to remove the remaining ice from internal components, and it will automatically stop working when the process is completed. The  indicator keeps flashing unless the ice maker is unplugged.

Note: When unplugging the ice maker, empty the ice basket to avoid overflow of water from melted ice.

Ice Making

1. Ensure the drain hoses at the back of the ice maker have been sealed and hung up on the machine.
2. Plug into a 120V/60Hz wall outlet. Check if the ❄️ indicator flashes.
3. Open the lid, add potable water into water reservoir, then close the lid. Be careful not to exceed the "Max" water line. If it's the first time using this ice maker, read instructions of "Before First Use" on page 6.
4. Press the ⏻ "On/Off" button. The ❄️ indicator glows white solidly.
5. Wait for 15-30 minutes to enjoy fresh nugget ice. Note that time of first ice is affected by the ambient temperature and water temperature. (Refer to page 6 for temperature range.)
6. The ice maker keeps making ice until the ice basket is full, or the water runs low.



Figure 7

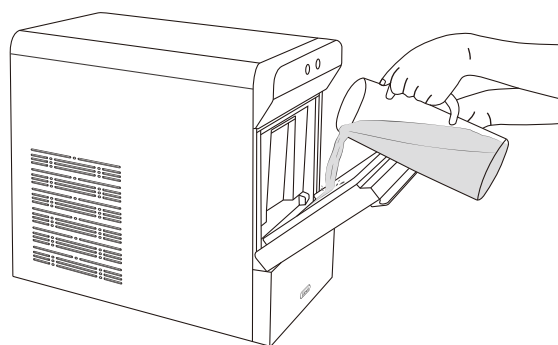


Figure 8

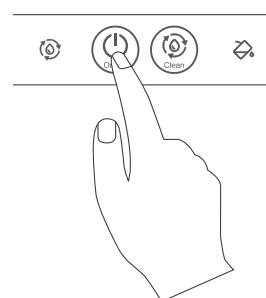



Figure 9

Notes

- Remember to take out the ice scoop before making ice to avoid it being covered by the ice.
- Heat insulation layer used for housing only helps slow down the melting of ice. The rate of melting depends on ambient temperature. It's recommended to transfer ice to freezer for longer storage.
- When the machine stops ice making triggered by ❄️❄️, it will not continue to make ice until the ice is fully/partially removed, or the lid is opened and closed. This is designed to save energy in case ice melts and machine restarts making ice but no one is around.
- If the ice maker is not to be used for some time, empty the water reservoir and dry it for storage.
- The ice maker is designed to work quietly but will make some noise during operation.

Cleaning

1. Remove all the ice.
2. Drain the ice maker through the drain hoses. Remember to place the hoses into a sink or a bucket before removing the drain cap.
3. Pour cleaning solution into water reservoir and add water to the max water line.
4. Close the lid, press and hold the  button for 3 seconds to enter self-cleaning program.
5. The self-cleaning program ends in 5 minutes. Then empty the ice maker through the drain hoses and seal them back.
6. Refill water into the water reservoir. Repeat step 4 and step 5 more than twice to rinse out the residues. Remember to use fresh water each time.
7. Clean ice basket and ice scoop.
8. Clean the exterior of the machine with a damp sponge.

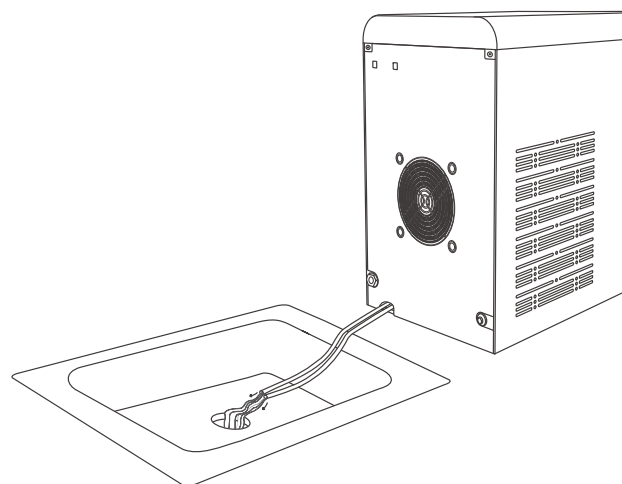


Figure 10

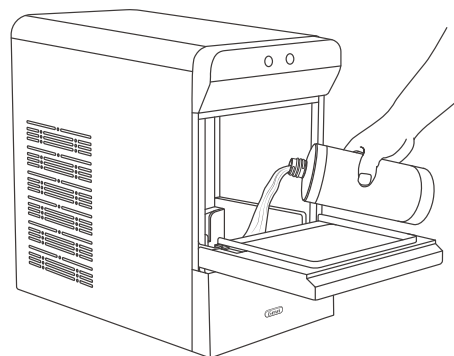


Figure 11

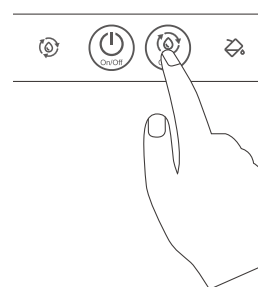


Figure 12

Notes

- Do not use organic solvent, boiled water, detergent, strong acid or strong alkali, etc. for cleaning.
- It's recommended to clean the ice maker once a week to keep ice fresh and help the machine last longer.

Descaling

1. Remove all the ice.
2. Drain the ice maker through the drain hoses. Remember to place the hoses into a sink or a bucket before removing the drain cap.

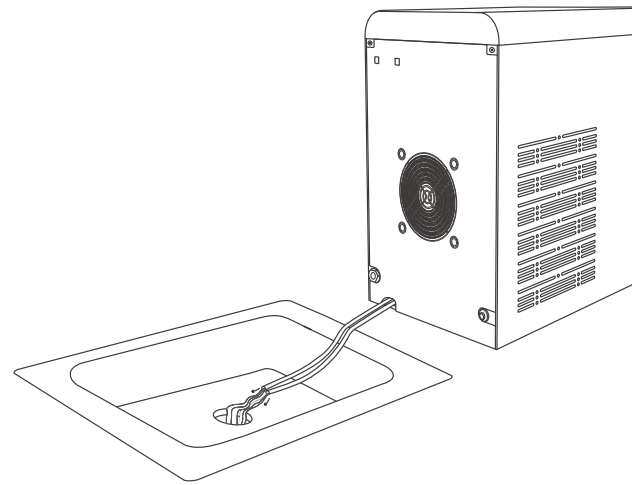



Figure 13

3. Pour descaling solution into water reservoir and add water to the max water line.

4. Close the lid, press and hold the  button for 3 seconds to enter self-cleaning program.

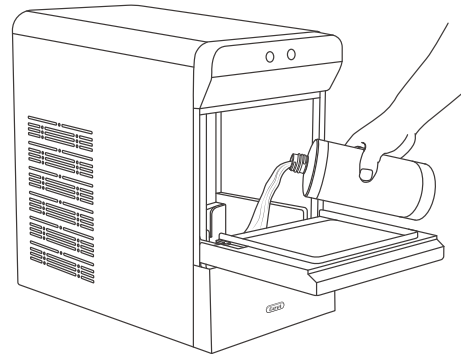


Figure 14

5. The self-cleaning program ends in 5 minutes. Then empty the ice maker through the drain hoses and seal them back.

6. Refill water into the water reservoir. Repeat step 4 and step 5 more than twice to rinse out the residues. Remember to use fresh water each time.

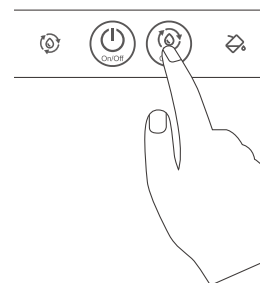






Figure 15

Notes

- Do not use organic solvent, boiled water, detergent, strong acid or strong alkali, etc. for descaling.
- It's recommended to descale the ice maker once a week to keep ice fresh and help the machine last longer.

Trouble Shooting		
Problem	Possible Causes	Solutions
 "Add Water" On	Water is not enough - Connected to water supply	Check if the supply is still functioning. If affirmative, wait for the auto refill. Do not add water manually to avoid overflow.
	Water is not enough - Not connected to water supply	Add water to reservoir manually
	Water screen in the water reservoir is blocked	Clean water screen
	Pump malfunction	Contact Gevi Customer Service for help
 "Full" On	Ice basket is full	Empty the ice basket
	Ambient temperature exceeds limited working temperature	Change the environment to meet the requirements on page 6.
	Infrared sensor blocked	Check if any ice has blocked or got stuck in the infrared sensor and Clean it.
	NTC malfunction	Contact Gevi Customer Service for help
  "Making" On and "Cleaning" Flash	Defrosting mode	1.No action is needed. The ice maker is in defrosting process and it will end in approx 30 minutes. 2.Alternatively, you can hold and press the "Clean" button for 3 seconds, and then press the "ON /OFF" button again to restart the appliance.
"Making" and "Cleaning" Flash	Ice making components are frozen	1.Unplug the ice maker for 45-60 minutes for ice to melt. Then run cleaning program 2-3 times with fresh water.

Trouble Shooting		
Problem	Possible Causes	Solutions
"Making" and "Cleaning" Flash	Ice making components are frozen	2.Contact Gevi customer service for help if it happens frequently.
No Ice	Poor heat dissipation	Keep a 15cm/6inch clearance on all sides of the ice maker for proper ventilation.
	The water temperature is too high	Use water with a temperature between 46°F(8°C) and 82°F(28°C)
	The ambient temperature is too high	Operate in an environment between 50°F (10°C) and 90°F (32°C)
	The ice-making system is Malfunctioning	Contact Gevi customer service for help
Noise	Ice-making components are frozen	Turn off the machine for 45 to 60 minutes for ice to melt. Then follow the steps of "Descaling" on page 11.
	Resonance	Remove any other object that is in contact with the ice maker.
	Compressor malfunction	Contact Gevi customer service for help
	Exhaust fan makes a loud noise	Making a sound during working is normal. If the sound is too loud, contact Gevi customer service for help.
Water Leak	The water pipe is leaking - Connected to water supply	Change a water pipe.
	Water pipe isn't connected properly to the water inlet - Connected to water supply	Reconnect the water pipe to the water inlet.
	Other causes	Contact Gevi customer service for help

TECHNICAL PARAMETERS

Nugget Ice Maker

Model:	GIMN-1000B
Applicable Climate:	ST/SN/N/T
Class:	I
Power Source:	120V/60Hz/3.0A
Rated Power:	170W
Refrigerant/Refrigerant Amount:	R600a / 24g
Foaming Agent:	C5H10
Net Weight:	16.5kg/36.4Lbs
Housing:	SUS430
Unit Size (DxWxH):	17.2 x 9.6 x 16.7 inch

CUSTOMER SUPPORT

Gevi Official Website

Have a question or need assistance with your appliances? Visit Gevi Official Website any time any where. You can also get more information about Gevi via www.gevi.com

Gevi Official Hotline

Wish to speak with someone? Call [855-9922-888](tel:855-9922-888) during normal business hours.

Gevi Official Email

To describe your issue in detail, write to us at service@gevi.com

WARRANTY

Nugget Ice Maker

www.gevi.com

Warranty service is provided by Gevi Customer Service Center. To contact customer service team, visit our website at www.gevi.com, email at service@gevi.com or call Gevi at [855-9922-888](tel:855-9922-888).

Period	Gevi Will Replace
30 Days From the date of original purchase	Whole unit if the ice maker fails due to a defect in materials or workmanship.
1 Year From the date of original purchase	Any part of the ice machine which fails due to a defect in materials or workmanship.

Warranty Extension

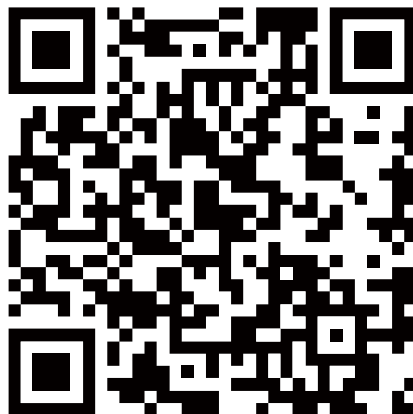
- Register your warranty at www.gevi.com/warranty to receive 3 months warranty extension for **FREE**.



Warranty Register



- Household -



Tel: [855-9922-888](tel:855-9922-888)

Email: service@gevi.com

Website: www.gevi.com



- Household -

USER MANUAL

NUGGET ICE MAKER

GIMN-1000B



Household Use Only