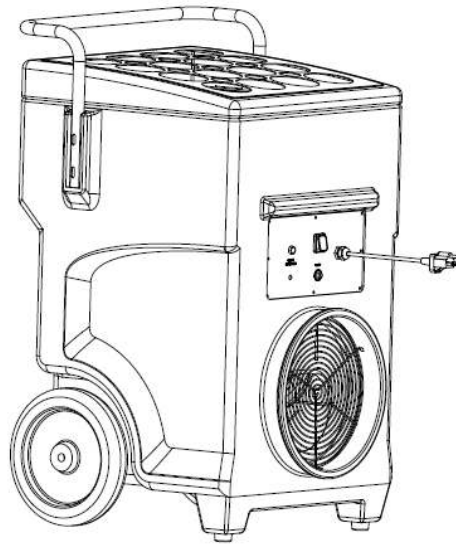


INSTRUCTION MANUAL



293052

Commercial Air Scrubber 1000cfm

READ ENTIRE MANUAL BEFORE

Global Industrial-11 Harbor Park Drive Port Washington-NY 11050

Safety Instructions

Please observe the following safety instructions to avoid personal injury and property loss.

- 1) Do not operate any air scrubber with a damaged cord or Plug.
- 2) Do not move or adjust air scrubber while in operation
- 3) Keep this unit out of the reach of children
- 4) Do not alter or modify your air scrubber in any way. Only authorized Global Industrial replacement parts can be used. Use of any unauthorized parts could cause hazards and void the unit's warranty
- 5) Always store unit in a clean, dry environment when not in use. Care should be taken to prevent water from entering the unit's motor. In the case that the unit's motor does become wet, ensure that the motor is dried thoroughly before use.
- 6) Do not allow water near or inside the unit while in use to avoid risk of electric shock. Handle unit with care to avoid causing damage or personal injury.
- 7) Always operate the air scrubber on a flat, level surface. Operating the unit where it could slip or fall increases the risk of injury, fire, or electrical shock.
- 8) Never operate the air scrubber without the factory-installed safety screens in place. This will prevent liquids, gases, and other materials from entering the air scrubber.
- 9) Do not use air scrubber near combustible gas or flammable materials in order to avoid fire or electrical hazards.
- 10) Do not attempt to disassemble or repair unit on your own. Instead, bring to the attention of your distributor or a certified repair center. Never attempt to disassemble or repair unit while air scrubber is plugged in.

Operating Procedures

The Global Industrial Air Scrubber is a portable filtration system that removes airborne particles including mold, pet dander, dust, pollen, drywall dust, and other miscellaneous debris as small as 0.3 microns. The air scrubber utilizes up to 4 stages of filtration including a Pre-pad filter, a pre-filter, optional 2nd stage, and a HEPA filter. The air scrubber will create cleaner air in any environment. The pre-pad filter and pre filter capture larger particles and the HEPA filter captures smaller particles.

- 1) Ensure that the unit is on a stable, level surface, and remains stationary while in use.
- 2) Plug the air scrubber into a grounded outlet with the correct voltage(115v) and amperage. Ensure that the unit is plugged into a grounded outlet with voltage and wattage outputs that correspond with the unit's specifications. For maximum protection against electrical shock, ALWAYS use a circuit that is protected by a ground fault circuit interrupter. If you are unsure about the outlet, check with a qualified electrician.

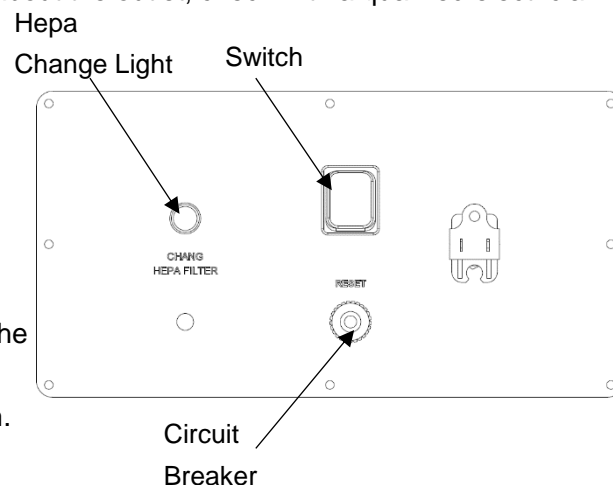
Controls

The air scrubber equip the 1 speed light led switch
Control fan by press the switch knob

OFF-Turn off the air scrubber

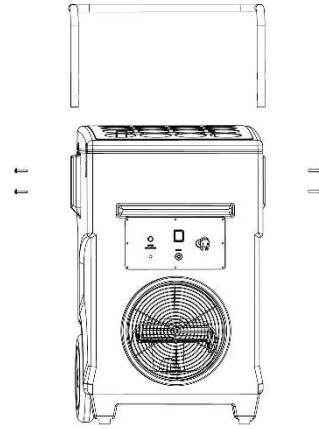
ON- Turn on the air scrubber

The air scrubber equip the Circuit breaker to protect the
Motor not over load. To reset, unplug the appliance
Causing the breaker to trip and push the reset button.



Handle Assembly

The air scrubber has the metal handle for easy transportation.
Use the 4 screw to fix the handle on the housing.



Filters

The air scrubber equip the 3 stage filters including 1 pre-pad filter, 1 pre filter, 1 optional carbon filter, 1 hepa filter.

- 1) The pre pad filter and Prefilter is used for Captures the largest particles to help extend the life of hepa Filter.
- 2) The hepa filter is used to against oily aerosol particles down to 0.3 microns
- 3) The carbon filter is used to Captures a wide variety of volatile organic compounds (VOCs).

Change Filters

Pre-pad filter and Prefilter is recommend to change for every job like painting or depends on the appearance.

Hepa Filter need to be changed within 3 month or when the hepa change light is on.

Carbon Filter need to be changed monthly.

The user need to change all filters if there is risk of the cross-infection application, for example water damage restoration, fire remold.

PLS WEAR MASKS WHEN CHANGE FILTERS.

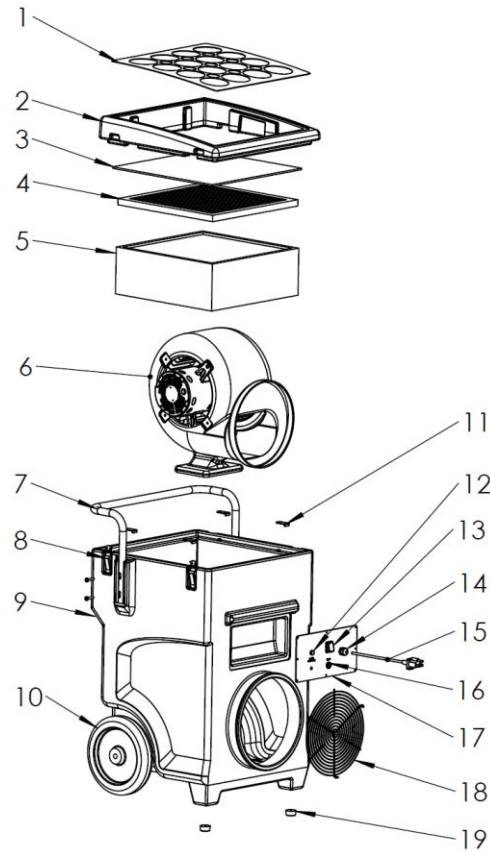
Maintenance

- 1) Inspect the electrical cord and wiring for damage or discoloration before use. NEVER use a air scrubber that has a damaged cord to avoid risk of electrical shock or fire.
- 2) Inspect for loose fasteners before each use.
- 3) Clean safety screens of the unit before each use.
- 4) Listen for abnormal sounds and shut unit off immediately upon hearing unusual noises.
- 5) Keep unit clean and free of blockages or obstructions.
- 6) Use compressed air or a vacuum to remove lint and other debris from the motor, inlet, or fan blade.
- 7) Do not use a pressure washer, water hose, or other water source to clean the unit. Ensure that the unit is completely dry before each use.
- 8) The air scrubber has sealed bearings and cannot be lubricated. No oiling is necessary.

For information about authorized repair and maintenance contact Global Industrial.

Part List

Part Number	Description	Qty
AF100001	Metal Cover	1
AF100002	Top Hepa Cover	1
293053	Pre Pad Filter	1
293054	Pre-Filter	1
293056	Hepa Filter	1
AF100006	Fan Motor	1
AF100007	Handle	1
AF100008	Clamp	4
AF100009	Housing	1
AF100010	Wheel	2
AF100011	Hepa Filter Clamp	4
AF100012	Hepa Change Light	1
AF100013	Switch	1
AF100014	Connector	1
AF100015	Power Cord	1
AF100016	Circuit Breaker	1
AF100017	Switch Panel	1
AF1000	Metal	1



18	Grill	
AF1000	Rubber	4
19	Fee	

Specifications

Model	293052
Power Input	115Volt/60hz
Power	3/4hp
Current	6amps(Max)
Air Volume	1000cfm
Size	22.4*21.7*36.2inch
Weight	92.4lbs

Specifications may change without notice.

Trouble Shooting

BLOWER DOES NOT TURN ON	<ol style="list-style-type: none"> 1) Switch not turned on - in this case, ensure that the knob is in the correct position to turn the unit on 2) Circuit breaker or GFCI has tripped - press 'reset button before attempting to turn the unit on 3) Cord or wires are loose or damaged - Inspect to ensure that cords and wires are tight and free of damage 4) Faulty switch - Contact your distributor if inside warranty period
BLOWER STARTS AND THEN TURNS OFF	<ol style="list-style-type: none"> 1) Obstructed inlet/outlet - remove obstructions and ensure that both inlet and outlets are clear before use. 2) Faulty motor - Contact your distributor if inside warranty period
BLOWER VIBRATES	<ol style="list-style-type: none"> 1) Motor shaft is bent - Contact your distributor if inside warranty period 2) Fan blade is bent - Contact your distributor if inside warranty period 3) Excessive dirt built up on fan blade - Clean blade and ensure blade housing is free of dust and dirt before use
BLOWER MAKES SCRAPING NOISES	<ol style="list-style-type: none"> 1) Damaged housing - Inspect housing for warps or dents. If housing is rubbing against blade, contact your distributor.
MOTOR MAKES NOISE, BUT BLOWER WON'T TURN ON	<ol style="list-style-type: none"> 1) Damaged/faulty motor or motor shaft - Contact your distributor if inside warranty period 2) Motor shaft screw holding fan blade is loose - tighten