

### BEFORE YOU START:

- Please check local Electrical codes before beginning
- Turn power off before installing
- Make sure to use properly rated wire

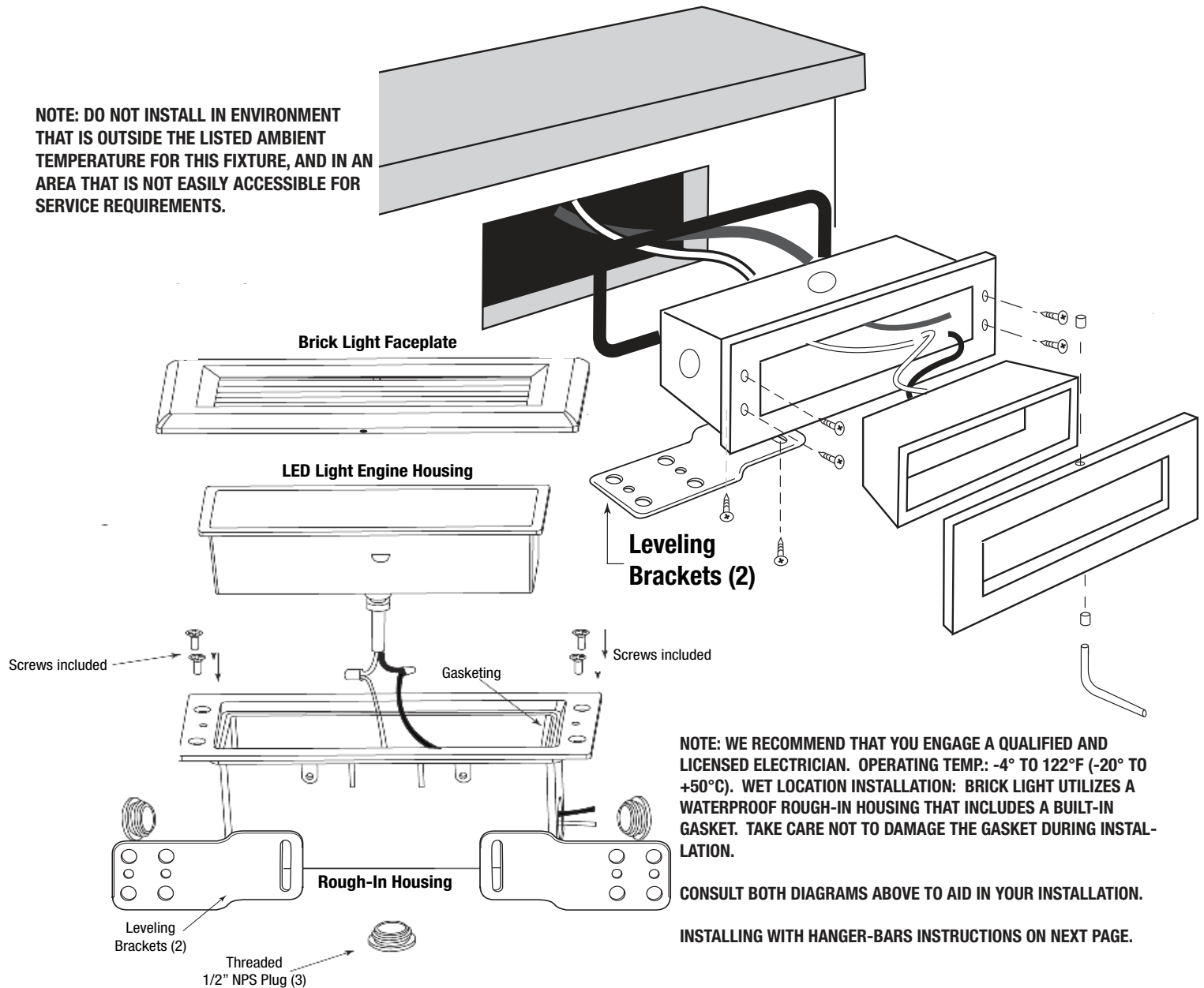
### TOOLS NEEDED:

- Keyhole or jig saw
- Phillips screwdriver

### PARTS INCLUDED:

- (1) BrickLight Assembly
- (2) Leveling Brackets

**NOTE: DO NOT INSTALL IN ENVIRONMENT THAT IS OUTSIDE THE LISTED AMBIENT TEMPERATURE FOR THIS FIXTURE, AND IN AN AREA THAT IS NOT EASILY ACCESSIBLE FOR SERVICE REQUIREMENTS.**



**NOTE: WE RECOMMEND THAT YOU ENGAGE A QUALIFIED AND LICENSED ELECTRICIAN. OPERATING TEMP.: -4° TO 122°F (-20° TO +50°C). WET LOCATION INSTALLATION: BRICK LIGHT UTILIZES A WATERPROOF ROUGH-IN HOUSING THAT INCLUDES A BUILT-IN GASKET. TAKE CARE NOT TO DAMAGE THE GASKET DURING INSTALLATION.**

**CONSULT BOTH DIAGRAMS ABOVE TO AID IN YOUR INSTALLATION.**

**INSTALLING WITH HANGER-BARS INSTRUCTIONS ON NEXT PAGE.**

**1. DETERMINE LOCATION.** Cut out a 7.25"W x 2.5" aperture hole using the Rough-In Housing as a template for locating position of screws.

**2. NPS PLUG.** Determine which of the 1/2" NPS holes will be used and remove plug(s). Secure Rough-In Housing using appropriate screws or fasteners depending on material that you are mounting to.

**3. CONNECT WIRING.** Once the Rough-In Housing is secured, connect the LED Light Engine housing's lead wires to source, matching polarity. black to black, white to white and green (ground) to green.

**4. SEAT LED LIGHT ENGINE HOUSING** into the Rough-In Housing. Use leveling brackets to insure level installation. Place Brick Light Faceplate over the top to be flush with mounting surface. Secure on either end with supplied allen-head screws.

**5. AFFIX TRIM TO HOUSING** using set screw and supplied allen wrench.

**6. POWER UP** and make any adjustments to faceplate positioning. Make sure that scoop and louver trims are properly positioned facing down.

Questions on installation? Please see our website or send an e-mail to: [tech@gmlighting.net](mailto:tech@gmlighting.net)

**INSTALLING WITH HANGER-BARS (SOLD SEPARATELY) CAN BE ACHIEVED BY FOLLOWING THESE STEPS (DISCARD LEVELING BRACKETS IF USING THIS PROCEDURE):**

**1. ATTACH ARM BRACKETS AND HANGER-BAR ARMS.** Screw arm brackets in place on top and on bottom of rough-in housing (Fig. 1). Slide arms into guides making sure that they can move freely.

**2. DETERMINE DEPTH OF FINISH MATERIAL.** Your finish material can be anything from drywall to sheet rock. Example: If drywall is 1/2", back off the flange so that it sits flush with mounting surface (Fig. 2).

**3. MOUNT BRACKETS TO STUDS.** Attach stud mounting bracket on stud, and then screw mounting brackets to studs. Use a level to insure correct placement. Finish surface as appropriate (Fig. 3).

**4. ATTACH FACE PLATE.** See cross section detail (Fig. 4). Using set screws and allen key (supplied) tighten so that faceplate sits securely on rough-in housing.

