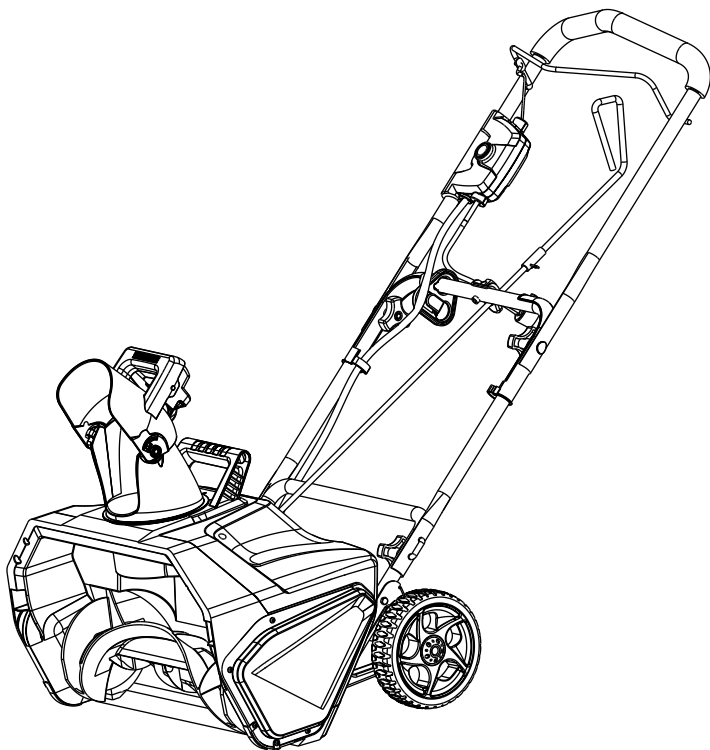


greenworks

2600502
(GWSN20130)

EN	SNOW THROWER	OPERATOR MANUAL
FR	SOUFFLEUSE À NEIGE	MANUEL D'OPÉRATEUR
ES	EQUIPO QUITANIEVE	MANUAL DEL OPERADOR



SNA106

www.greenworkstools.com

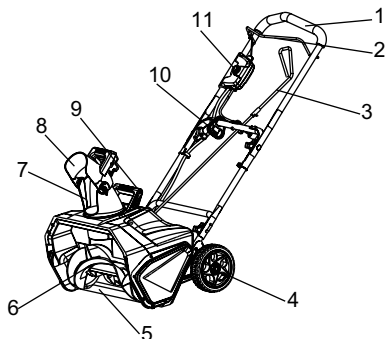
1	Description.....	4	7	Operation.....	9
1.1	Purpose.....	4	7.1	Start the machine.....	9
1.2	Overview.....	4	7.2	Stop the machine.....	9
2	General power tool safety		7.3	Use the cord retainer.....	9
	warnings.....	4	7.4	Adjust the discharge chute.....	10
2.1	Safety warnings.....	4	7.5	Adjust the chute deflector.....	10
2.2	Double insulated snow thrower.....	6	7.6	Operation tips.....	10
3	Electrical.....	6	8	Maintenance.....	10
4	Symbols on the product.....	7	8.1	General maintenance.....	10
5	Risk levels.....	7	8.2	Replace the scraper.....	11
6	Installation.....	7	8.3	Replace the impeller.....	11
6.1	Unpack the machine.....	8	8.4	Store the machine.....	12
6.2	Install the upper handle.....	8	9	Troubleshooting.....	12
6.3	Install the middle handle.....	8	10	Technical data.....	13
6.4	Install the chute deflector.....	8	11	Limited warranty.....	13
6.5	Install the chute control rod.....	9	12	Exploded view.....	14

1 DESCRIPTION

1.1 PURPOSE

This machine is used to remove and clear away snow from pavements, gardens, driveways and other ground-level surfaces.

1.2 OVERVIEW



- | | |
|----|-------------------------|
| 1 | Handle bar |
| 2 | Bail switch |
| 3 | Chute control rod |
| 4 | Wheel |
| 5 | Scraper |
| 6 | Impeller |
| 7 | Discharge chute |
| 8 | Chute deflector |
| 9 | Carrying or lift handle |
| 10 | Cord retainer |
| 11 | Safety switch button |

2 GENERAL POWER TOOL SAFETY WARNINGS

▲ WARNING

Read all safety warnings and all instructions. Failure to follow the warnings and instructions may result in electric shock, fire and/or serious injury.

Save all warnings and instructions for future reference.

The term “power tool” in the warnings refers to your mains-operated (corded) power tool.

2.1 SAFETY WARNINGS

- Walk. Do not run.
- Dress Properly – Do not wear loose clothing or jewelry. They can be caught in moving parts.

- Keep Children Away – All visitors should be kept a safe distance from work area.
- Replacement Parts When servicing use only identical replacement parts. Replace or repair damaged cords.
- If the power tool starts to vibrate abnormally, stop the power tool immediately and attempt to determine the cause. Vibration is generally an indication of danger.
- Do not use on graveled surface unless the power tool is adjusted for such a surface in accordance with the operator’s manual.
- Wear rubber boots when operating the power tool. Do not operate the equipment when barefoot or wearing open sandals. Always wear substantial footwear.
- Operation of the power tool in the hand-held position is unsafe, except in accordance with the special instructions for such use provided in the operator’s manual.
- Keep guards in place and in working order.
- Don’t Force Power Tool – It will perform better and safer at the rate for which it was designed.
- Don’t Overreach – Keep proper footing and balance at all times.
- If the power tool strikes a foreign object, follow these steps:
 1. Stop machine. Release the switch.
 2. Unplug power cord.
 3. Repair any damage before restarting and operating the power tool.
- Store Idle Power Tool Indoors – When not in use, power tools should be stored indoors in dry, locked-up place out of reach of children.
- Do not operate the equipment without wearing adequate winter garments. Wear footwear, which will improve footing on slippery surfaces.
- Never direct the discharge toward people or areas where property damage can occur.
- When cleaning, repairing, or inspecting, make certain the collector/impeller and all moving parts have stopped.
- Maintain Power Tools With Care – Follow instructions for lubricating and changing accessories.
- Allow the power tool to run for a few minutes after clearing snow in order to prevent moving parts from freezing.
- To prevent electric shock use only with an extension cord suitable for outdoor use.
- Only use identical replacement parts and accessories for this power tool. The use of nonidentical parts or accessories could lead to serious injury to the user or damage the power tool, and will void the warranty.
- Do not pick up the power tool while it is running. The power tool is designed to travel along the ground.
- Never allow children to operate a power tool. Keep the area of operation clear of all persons, particularly small children, and pets.
- Never allow adults to operate the equipment without proper instruction.

- Thoroughly inspect the area where the equipment is to be used and remove all stones, sticks, wires, bones, and other foreign objects.
- Never operate the machine at high transport speeds on slippery surfaces. Use care when reversing.
- Hand contact with the rotating impeller inside the discharge chute is the most common cause of injury associated with machine. Never use your hand to clean out the discharge chute. To clear the chute:
 1. TURN OFF THE MOTOR!
 2. Wait 10 seconds to be sure the impeller has stopped rotating.
 3. Always use a clean-out tool, not your hands.
- Stop the impeller when crossing gravel driveways, walkways, or roads.
- Do not overload the machine capacity by attempting to clear snow at too fast a rate.
- Never operate the machine without good visibility or light. Always be sure of your footing, and keep a firm hold on the handles.
- Check shear bolts and other bolts at frequent intervals for proper tightness to be sure the equipment is in safe working condition.
- Always refer to owner's guide instructions for important details if the machine is to be stored for an extended period.
- Maintain or replace safety and instructions labels, as necessary.
- Run the machine a few minutes after throwing snow to prevent freeze-up of the collector/impeller.
- To prevent disconnection of the power cord from the extension cord during operation. Refer to the section entitled Using the Cord Retainer.
- Avoid Accidental Starting – Don't carry plugged-in power tool with finger on switch. Be sure switch is off when plugging in.
- If the cord is damaged in any manner while it is plugged in, disconnect it from the outlet immediately.
- Always wear safety glasses or eye shields during operation or while performing an adjustment or repair to protect eyes from foreign objects that may be thrown from the machine.
- Don't Abuse Cord – Never carry machine by cord or yank it to disconnect from receptacle. Keep cord from heat, oil, and sharp edges.
- Disconnect the power tool from the power supply when not in use, before servicing, when changing accessories, and the like.
- Read the operator's manual carefully. Be thoroughly familiar with the controls and the proper use of the equipment. Know how to stop the unit and disengage the controls quickly.
- Replacement Parts When servicing use only identical replacement parts. Replace or repair damaged cords.
- Do not use on graveled surface unless the machine is adjusted for such a surface in accordance with the operator's manual.
- Keep Children Away – All visitors should be kept a safe distance from work area.
- Keep the area of operation clear of all persons, particularly small children, and pets.
- Dress Properly – Do not wear loose clothing or jewelry. They can be caught in moving parts.
- Wear rubber boots when operating the machine.
- Operation of the machine in the hand-held position is unsafe, except in accordance with the special instructions for such use provided in the operator's manual.
- Exercise caution to avoid slipping or falling, especially when operating in reverse.
- To prevent electric shock use only with an extension cord suitable for outdoor use.
- Use extension cords and receptacles as specified by the manufacturer for all units with electric drive motors or electric starting motors.
- Extension Cords – To prevent disconnection of machine cord from the extension cord during operation
 1. Make a knot as shown in the figure; or
 2. Use one of the plug-receptacle retaining straps or connectors described in this manual.
- Avoid Accidental Starting – Don't carry plugged-in machine with finger on switch. Be sure switch is off when plugging in.
- If cord is damaged in any manner while plugged in, pull extension cord from wall receptacle.
- Don't Abuse Cord – Never carry machine by cord or yank it to disconnect from receptacle. Keep cord from heat, oil, and sharp edges.
- Thoroughly inspect the area where the equipment is to be used and remove all doormats, sleds, boards, wires, and other foreign objects.
- If the machine strikes a foreign object follow these steps:
 1. Stop machine. Release the switch.
 2. Unplug power cord.
 3. Inspect for damage.
 4. Repair any damage before restarting and operating the machine.
- Adjust the collector housing height to clear gravel or crushed rock surface.
- Never attempt to make any adjustments while the machine is running (except where specifically recommended by manufacturer).
- Disconnect Machine – Disconnect the machine from the power supply when not in use, before servicing, when changing accessories, and the like.
- Do not put hands or feet near or under rotating parts. Keep clear of the discharge opening at all times.
- Exercise extreme caution when operating on or crossing gravel drives, walks, or roads. Stay alert for hidden hazards or traffic.

- After striking a foreign object, turn the machine off and remove the plug, and then inspect it for damage. Repair any damage before restarting and using the machine.
- If the unit should start to vibrate abnormally, stop the machine and check immediately for the cause. Vibration is generally a warning of trouble.
- When cleaning, repairing, or inspecting, make certain the collector/impeller and all moving parts have stopped.
- Exercise extreme caution when operating on slopes.
- Never operate the machine without proper guards, and other safety protective devices in place and working.
- Never direct the discharge toward people or areas where property damage can occur. Keep children and others away.
- Stop the machine whenever you leave the operating position, before unclogging the collector/impeller housing or discharge guide, and when making any repairs, adjustments, or inspections.
- Do not overload the machine capacity by attempting to clear snow at too fast a rate.
- Never operate the machine at high transport speeds on slippery surfaces. Use care when reversing.
- Disengage power to the collector/impeller when machine is transported or not in use.
- Use only attachments and accessories approved by the manufacturer of the machine (such as wheel weights, counterweights, or cabs).
- Never operate the machine without good visibility or light. Always be sure of your footing, and keep a firm hold on the handles.
- Store Idle Machine Indoors – When not in use, machine should be stored indoors in dry, locked-up place – out of reach of children.
- Maintain Machine With Care – Follow instructions for lubricating and changing accessories.
- Check shear bolts and other bolts at frequent intervals for proper tightness to be sure the equipment is in safe working condition.
- Have servicing performed by a qualified repair person using only identical replacement parts. This will ensure that the safety of the product is maintained.
- Always refer to owner's guide instructions for important details if the machine is to be stored for an extended period.
- Maintain or replace safety and instructions labels, as necessary.
- Run the machine a few minutes after throwing snow to prevent freeze-up of the collector/impeller

2.2 DOUBLE INSULATED SNOW THROWER

- Double insulation eliminates the need for the usual three-wire grounded power cord and grounded power supply system. Wherever there is electric current in the machine, there are two complete sets of insulation to protect the

user. All exposed metal parts are isolated from the internal metal motor components by protecting insulation.

i IMPORTANT

Servicing a machine with double insulation requires extreme care and knowledge of the system, and should only be performed by a qualified service technician. If repairs are required, call the service center. Always use original factory replacement parts when servicing.

▲ WARNING

IT IS YOUR RESPONSIBILITY! To restrict the use of this machine to people who have read and understand the warnings and instructions that appear in this manual and on the machine and who will follow them.

3 ELECTRICAL

▲ WARNING

The double insulated system is intended to protect the user from shock resulting from a break in the tool's internal insulation. Observe all normal safety precautions to avoid electrical shock.

Electrical connection

This product has a precision-built electric motor. It should be connected to a power supply that is 120 V, AC only (normal household current), 60 Hz. Do not operate this product on direct current (DC). A substantial voltage drop will cause a loss of power and the motor will overheat. If the product does not operate when plugged into an outlet, double-check the power supply.

Extension cords

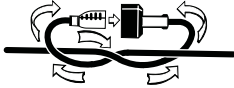
When using a power tool at a considerable distance from a power source, be sure to use an extension cord that has the capacity to handle the current the product will draw. An undersized cord will cause a drop in line voltage, resulting in overheating and loss of power. Use the chart to determine the minimum wire size required in an extension cord. Only round jacketed cords listed by Underwriter's Laboratories (UL) should be used.

When working outdoors with a product, use an extension cord that is designed for outside use. This type of cord is designated with "W-A" or "W" on the cord's jacket.

Before using any extension cord, inspect it for loose or exposed wires and cut or worn insulation.

A proper extension cord is available at an authorized service center.

It is possible to tie the extension cord and power cord in a knot to prevent them from becoming disconnected during use. Make the knot as shown in the figure, then connect the plug end of the power cord into the receptacle end of the extension cord. This method can also be used to tie two extension cords together.



Ampere rating (on the plate)						
	0 - 2.0	2.1 - 3.4	3.0 - 3.5	5.1 - 7.0	7.1 - 12.0	12.1 - 16.0
Cord length	Wire size (A.W.G)					
25'	16	16	16	16	14	14
50'	16	16	16	14	14	12
100'	16	16	14	12	12	-
Used on 12 gauge - 20 amp circuit						
AWG = American Wire Gauge						

Keep the extension cord clear of the working area. Position the cord so that it will not get caught on lumber, tools, or other obstructions while you are working with a power tool. Failure to do so can result in serious personal injury.

Check extension cords before each use. If damaged replace immediately. Never use the product with a damaged cord since touching the damaged area could cause electrical shock resulting in serious injury.

4 SYMBOLS ON THE PRODUCT

Some of the following symbols may be used on this tool. Please study them and learn their meaning. Proper interpretation of these symbols will allow you to operate the tool better and safer.

Symbol	Explanation
	Alternating current
	Precautions that involve your safety.
	Read and understand all instructions before operating the product, and follow all warnings and safety instructions.
	Thrown objects can ricochet and result in personal injury or property damage. Wear protective clothing and boots.
	Keep feet away from openings while the product is running.

Symbol	Explanation
	Keep hands away from the discharge area.
	Stop the motor and unplug the product before leaving the product.
	Wear eye and ear protection.
	Do not use a damaged power cord.

5 RISK LEVELS

The following signal words and meanings are intended to explain the levels of risk associated with this product.

SYMBOL	SIGNAL	MEANING
	DANGER	Indicates an imminently hazardous situation, which, if not avoided, will result in death or serious injury.
	WARNING	Indicates a potentially hazardous situation, which, if not avoided, could result in death or serious injury.
	CAUTION	Indicates a potentially hazardous situation, which, if not avoided, may result in minor or moderate injury.
	CAUTION	(Without Safety Alert Symbol) Indicates a situation that may result in property damage.

6 INSTALLATION

▲ WARNING

Do not change or make accessories that are not recommended by the manufacturer.

▲ WARNING

Do not connect to power supply until you assemble all the parts.

6.1 UNPACK THE MACHINE

▲ WARNING

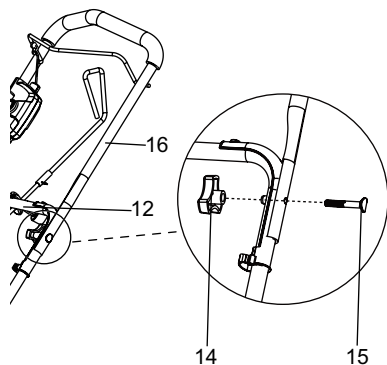
Make sure that you correctly assemble the machine before use.

▲ WARNING

- If the parts are damaged, do not use the machine.
- If you do not have all the parts, do not operate the machine.
- If the parts are damaged or missing, speak to the service center.

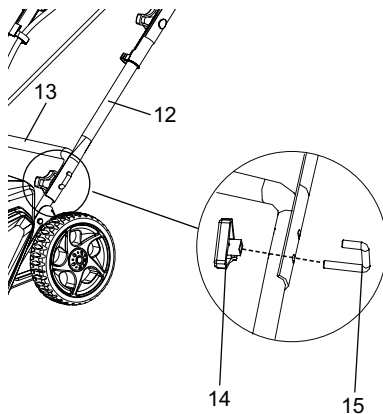
1. Open the package.
2. Read the documentation in the box.
3. Remove all the unassembled parts from the box.
4. Remove the machine from the box.
5. Discard the box and package in compliance with local regulations.

6.2 INSTALL THE UPPER HANDLE



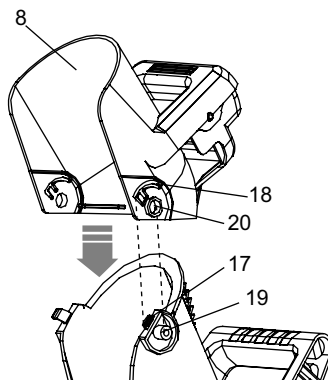
1. Align the holes in the middle handle (12) and the upper handle (16).
2. Put the bolts (15) through the holes.
3. Tighten the handle knobs (14) onto the bolts (15).
4. Do the same operation on the other side.

6.3 INSTALL THE MIDDLE HANDLE



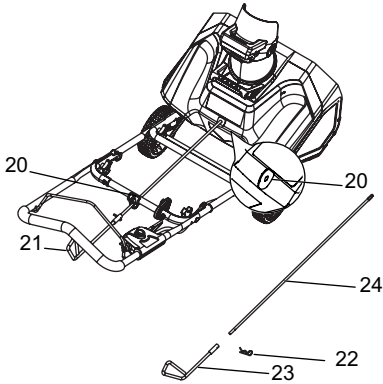
1. Align the holes in the middle handle (12) and the lower handle (13).
2. Put the bolts (15) through the middle handle (12) and the lower handle (13).
3. Tighten the handle knob (14) onto the bolt (15).
4. Repeat for left/right side.

6.4 INSTALL THE CHUTE DEFLECTOR



1. Align the tabs (17) on to the slots (18) on one side first.
2. Once you have engaged one tab on one slot push until you hear a click. Repeat on other side.
3. Push the chute deflector (8).
4. Make sure that the tabs (17) engage the slots (18) on the two sides.
5. Make sure that the posts (19) engage the holes (20) on the two sides.

6.5 INSTALL THE CHUTE CONTROL ROD



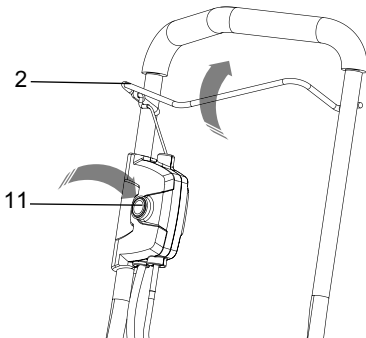
1. Align the holes (20) in the upper chute control rod (23) and lower chute control rod (24).
2. Put the hitch pin (22) through the holes (20).
3. Align the arrows in the discharge chute and snow thrower deck. Make sure the discharge chute faces forward.
4. Put the end of the chute control rod (3) straight through the hole (20) in the bracket. Keep the grip handle down.
5. Push the chute control rod (3) into the hole (20) behind the deck.
6. Turn the grip handle left and right to make sure that the discharge chute moves in the same direction.

7 OPERATION

▲ WARNING

Wear eye protection during operation.

7.1 START THE MACHINE



1. While holding the safety switch button (11), pull the bail lever (2) to start the machine.

i NOTE

Lower the scraper to the ground to remove the snow.

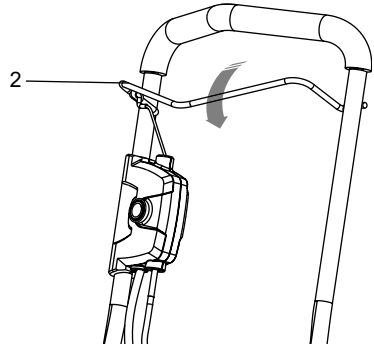
▲ WARNING

Keep bystanders a safe distance from the machine.

▲ WARNING

Examine the work area. Remove all stones, sticks, wire, bones, and other debris that can ricochet because of the rotating impeller.

7.2 STOP THE MACHINE



1. Release the bail lever (2) to stop the machine.

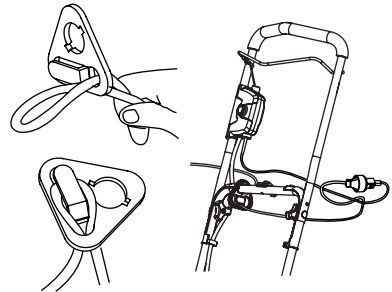
▲ WARNING

Wait until the impeller fully stops before you start the machine again. Do not quickly turn the machine off and on.

▲ WARNING

Pull the plug after you complete the work.

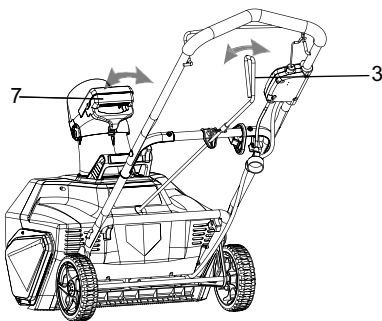
7.3 USE THE CORD RETAINER



i NOTE

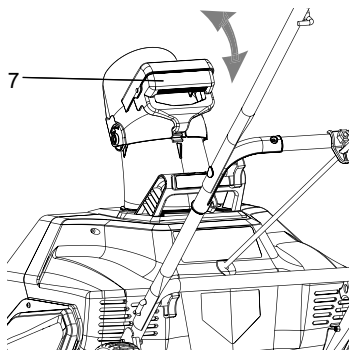
Do not plug the extension cable into the outlet until it has been connected to the cord retainer and plugged into the machine.

1. Fold the extension cable to form a tight loop near the retainer.
2. Push the loop through the bottom hole in the retainer.
3. Move the loop over the retaining clip, and pull until the cable is secured.

7.4 ADJUST THE DISCHARGE CHUTE

You can adjust the discharge chute 180° to change the snow direction.

1. Turn the grip handle (3) left to move the discharge chute (7) to the left.
2. Turn the grip handle (3) right to move the discharge chute (7) to the right.

7.5 ADJUST THE CHUTE DEFLECTOR

You can adjust the chute deflector up and down to change the throwing distance of the snow.

▲ WARNING

Release the bail switch before you adjust the chute deflector.

▲ WARNING

Do not push the deflector so far forward that a gap shows between the deflector and the chute.

1. Push and hold the trigger on the chute deflector.
2. Move the chute deflector (7) up to increase the snow distance.
3. Move the chute deflector (7) down to decrease the snow distance.

7.6 OPERATION TIPS

- If it is possible, clear the snow with the direction of the wind.
- In strong winds, lower the chute deflector to direct the snow to the ground.
- When you complete the work, let the machine operate for a while to prevent ice formation in the discharge chute.
- If the snow is deeper than 8", decrease the speed and let the machine work at its own rhythm.
- Do not use the scraper to remove compact snow and ice.

8 MAINTENANCE**▲ WARNING**

Disconnect the extension cord before maintenance.

▲ CAUTION

Use only approved replacement parts.

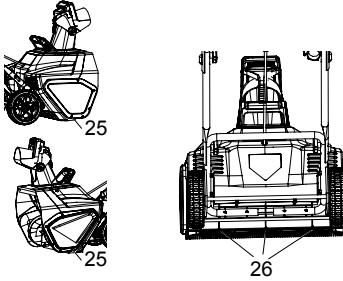
▲ CAUTION

Do not use strong solvents or detergents on the plastic housing or components.

8.1 GENERAL MAINTENANCE

- Before each use, examine the machine for damaged, missing, or loose parts such as screws, nuts, bolts and caps.
- Tighten correctly all the fasteners and caps.
- Clean the remaining snow on the machine with a brush.

8.2 REPLACE THE SCRAPER



▲ WARNING

Use only approved replacement scrapers.

▲ WARNING

Wear heavy gloves or wind cloth around the impeller when you touch the impeller.

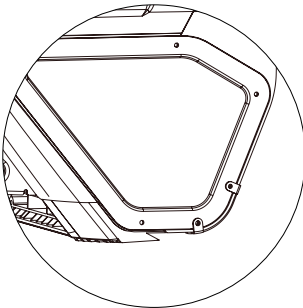
1. Remove the screws(25) from each side plate.
2. Remove and discard the old scraper.
3. Install the new scraper.
4. Put in the mounting screw (26) and spacers and tighten them.

8.3 REPLACE THE IMPELLER

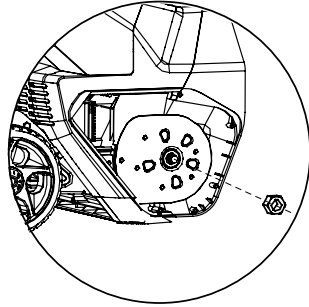
▲ WARNING

Use only approved replacement scrapers.

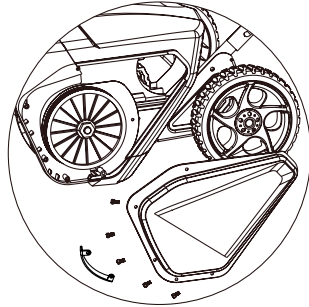
1. Remove the 5 screws and side wear pad that secure the right side cover.



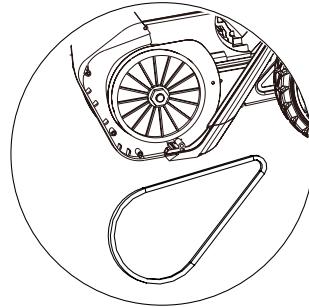
2. Remove the nut.



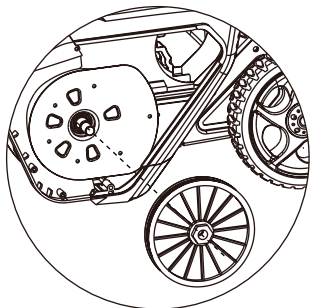
3. Remove the 5 screws and side wear pad that secure the left side cover.



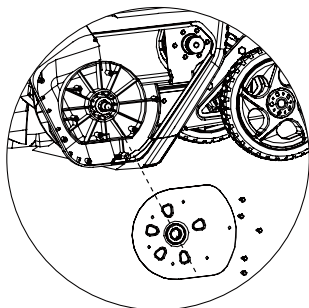
4. Remove the belt.



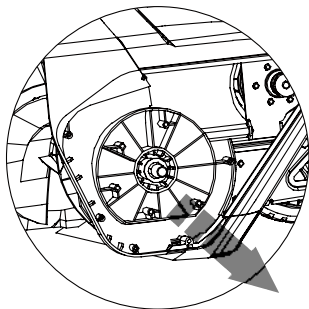
5. Using a socket wrench, remove the large pulley.



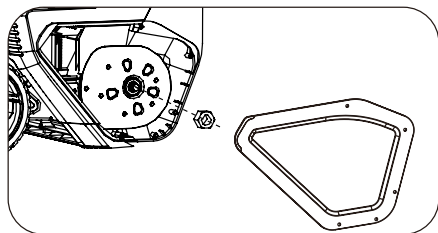
6. Remove the screws that secure the left side plate.



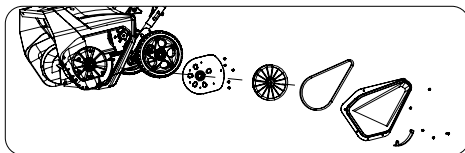
7. Pull the axle and remove the old impeller, install the new impeller.



8. Reinstall the nut and right side cover.



9. Reinstall the left side plate, large pulley, belt and left side cover.



8.4 STORE THE MACHINE

- Clean the machine before storage.
- Make sure the motor is not hot when you store the machine.
- Make sure that the machine does not have loose or damaged parts. If it is necessary, do these steps/instructions:
 - Replace the damaged parts.
 - Tighten the bolts.
 - Speak to a person at an approved service center.
- Store the machine in a dry area.
- Make sure that children cannot come near the machine.


9 TROUBLESHOOTING

Problem	Possible cause	Solution
The handle is not in position.	The bolts are not engaged correctly.	Adjust the height of the handle and make sure that the knobs and bolts are aligned correctly.
The machine does not start.	The switch is defective.	Have the switch replaced by an authorized service center.
	The extension cord is not connected to the plug.	Connect the plug on the machine to the extension cord.
	The extension cord is not connected to the power source.	Plug the extension cord into a live 120 V AC, 60 Hz outlet.
The engine is on, but the impeller does not turn.	The belt is damaged.	Replace the belt.

Problem	Possible cause	Solution
A thin layer of snow stays behind.	The scraper is damaged.	Replace the scraper.

* If you cannot find the solution to these problems, please go to the service center.

10 TECHNICAL DATA

Voltage	120 V, 60 Hz, 13 A
No load speed	2,600 RPM
Clearing width	20 in. (50.8 cm)
Clearing depth	10 in. (25.4 cm)
Weight	32.2 lbs (14.6 kg)
Double-insulated construction	

11 LIMITED WARRANTY



Greenworks hereby warrants this product, to the original purchaser with proof of purchase, for a period of three (3) years against defects in materials, parts or workmanship. Greenworks, at its own discretion will repair or replace any and all parts found to be defective, through normal use, free of charge to the customer. This warranty is valid only for units which have been used for personal use that have not been hired or rented for industrial/commercial use, and that have been maintained in accordance with the instructions in the owners' manual supplied with the product from new.

ITEMS NOT COVERED BY WARRANTY:

1. Any part that has become inoperative due to misuse, commercial use, abuse, neglect, accident, improper maintenance, or alteration; or
2. The unit, if it has not been operated and/or maintained in accordance with the owner's manual; or
3. Normal wear, except as noted below;
4. Routine maintenance items such as lubricants, blade sharpening;
5. Normal deterioration of the exterior finish due to use or exposure.

HELPLINE:

Warranty service is available by calling our toll-free helpline, at 1-888-909-6757 .

TRANSPORTATION CHARGES:

Transportation charges for the movement of any power equipment unit or attachment are the responsibility of the purchaser. It is the purchaser's responsibility to pay transportation charges for any part submitted for replacement under this warranty unless such return is requested in writing by Greenworks.

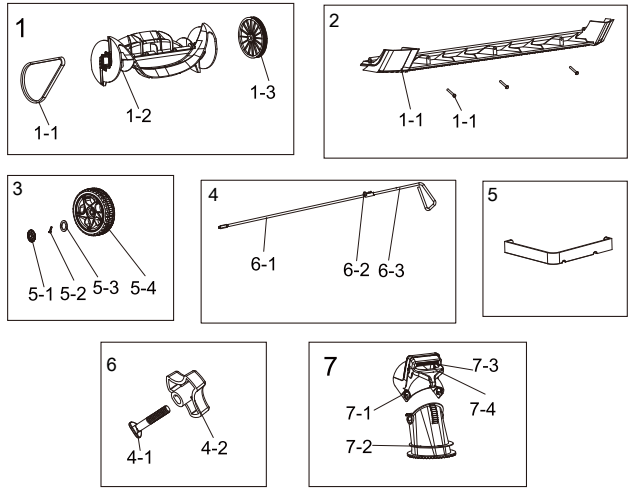
USA address:

Greenworks Tools
P.O. Box 1238
Mooresville, NC 28115

Canadian address:

Greenworks Tools Canada Inc.
1110 Stellar Drive Unit 102
Newmarket, ON, L3Y 7B7

12 EXPLODED VIEW



No.	Part No.	Qty	Description
1	R0200759-00	1	Impeller assembly
2	R0200761-00	1	Scraper Kit
3	R0200287-00	1	Wheel Assembly
4	R0200166-00	1	Control Rod Assembly
5	R0200283-00	1	Weather bar
6	R0200757-00	1	Cam Lock Assembly
7	R0200760-00	1	Chute Deflector Assembly