

GVM[®]

Great Video Maker

GVM-1000D

CONTENTS

IMPORTANT SAFETY INSTRUCTIONS

First and foremost: this product is professional lighting and staging equipment and should be used by a professional lighting technician or under the guidance of a professional. When using this product, you must always follow the cautions below:






1. Read the product manual carefully before use.
2. This product is only suitable to use in a temperature range of -10°C to 40°C.
3. Do not place the equipment near flammable and volatile solvents such as alcohol and gasoline.
4. Before storing the device, make sure it has cooled down completely. When being stored, unplug the power cord from the device. The equipment should be stored in its carrying case or a well-ventilated and dry place.
5. This lighting fixture is not for general illumination and should not be used as such. Individuals with eye injuries or sensitivity should avoid using this lighting fixture.
6. This is a professional light and children are prohibited from using it. Parents or guardians must closely supervise children when they are near the equipment to prevent personal injury caused by colliding with or misusing the equipment.
7. Before using the equipment, please remove the protective cover.
8. When the lighting fixture is on, it is forbidden to stare directly at the light source under any circumstances. High-intensity lighting should only be used under the guidance of a professional lighting technician. Avoid staying in a high-intensity light environment for a long time. If feeling any discomfort, please immediately turn off the lighting fixture, and seek medical attention.
9. When the lighting fixture is on, use it carefully and avoid contacting high-temperature components such as LED light sources to prevent being burnt.
10. Do not use damaged equipment or accessories. Wait for a professional repairman to inspect and repair it before it is confirmed that the equipment can function normally.
11. If the light source is damaged or deformed due to heat, please stop using it and contact the manufacturer, service agents, or qualified repairman promptly to replace the light source to avoid accidents.
12. If the product is cracked due to falling, squeezing, or strong impact during use, please stop use it to avoid being electrically shocked by touching internal electronic components.
13. Do not disassemble the product by yourself. If the product malfunctions, it must be checked and repaired by the manufacturer or authorized repair personnel.
14. Before cleaning and maintenance, be sure to unplug the power supply. To unplug never pull on the cable but always pull the plug itself. This device shall only operate with earthed power outlets or emergency power generators.
15. When cleaning the device, do not wipe it with a wet cloth. Use a dry and soft cloth to wipe off the dirt.
16. If an extension cord is required, it needs to have the necessary capacity to power the respective unit. Using an extension cord with a lower current capacity than the devices need may cause overheating.

17. For some products with long power cords, please place the power cords properly and avoid contact with overheated surfaces that may damage or trip personnel. Please use the original power cords of our manufactory. The damage caused by using non-original power cords is not covered by our repair service.
18. Do not use product accessories that are not recommended by our brand to avoid fire, electric shock, or personal injury.
19. Some products use batteries for power supply. Do not use any batteries, power sources, or accessories that are not specified in the user manual. Please keep batteries and other accessories out of reach of children and infants. If a child or infant swallows a battery or accessory, seek medical attention immediately. If the battery leaks, changes color, deforms, smokes, or emits an odor, remove it immediately. Be careful not to get burned during the removal. Continued use of such batteries may cause a fire, electric shock, or skin burns. Do not use any deformed or modified batteries. Do not disassemble or modify this product or the battery. Do not heat the battery or solder it. Do not let the battery come into contact with fire or water, or subject it to strong external force. Do not insert the battery's positive and negative ends incorrectly, or mix and use old and new batteries or different types of batteries.
20. For some products with built-in lithium batteries, please use a dedicated charger for charging, and following the correct operating instructions within the prescribed voltage and temperature range.
21. The warranty last for one year. Consumables like batteries, adapters, power cords, and other accessories are not covered by the warranty.
22. The one-year warranty will be invalidated if the equipment is found to have been repaired privately. The related repair costs will be charged.
23. Equipment malfunctions caused by non-standard operations are not covered by the warranty.
24. The safety instructions are based on our factory's strict testing. If there are any changes in the equipment's design and specifications, we reserve the right not to notify you. Customers can visit our official website to check the latest digital version of the instructions and learn about the newest product information.

Keep these instructions!



WARNING:

-  High-power LED lights are strictly prohibited from being directly viewed or shining into other people's eyes.
-  Do not unplug the power cord or connecting wires while the light is on to avoid personal injury.
-  Do not cover the heat dissipation port when the lamp is in operation.
-  Keep children away from touching or using this light.
-  As professional lighting equipment, please make sure to operate it correctly according to the user manual.

PRODUCT INTRODUCTION

Thank you for purchasing our “GVM-1000D”. This product is specially designed for senior photographers. The product usage scenarios are suitable for live broadcast/outdoor/studio photography, etc., and can also be used for YouTube video shooting.

The main features of the product are:

1. Stepless dimming RGB and Bi-color temperature ,allowing for unrestricted control of brightness, color temperature, hue, and saturation. The use of high CRI LED lamp beads helps restore and enrich the color of the object, providing you with natural and vivid shooting effects.
2. The APP intelligent control system can be controlled by your smart mobile device.
3. With LCD screen display and stable system, it supports 360° rotation, which can effectively control light. You can also install folding and soft light boards to avoid excess light, make the light softer, and customize the control fill light, allowing you to shoot the desired results easily and easily.
4. It can simulate 18 different scene lights: Lightning, Cop Car, Candle, TV, Bad Bulb, Party, Disco, Paparazzi, Explosion, Pulsing, Fire, Fireworks, Welding, CCT Loop, Hue Loop, Ambulance, Fire Engine and SOS.

We firmly believe that the correct use of this product will be of great help to your shooting work. It is strongly recommended that you read the following user guide carefully before using the product.

DISCLAIMERS

1. Before using this product, please read the text carefully to ensure that the correct operation of the product has been carried out. Failure to follow and not following the instructions and warnings in this document may cause harm to you and others around you, or even damage the product or other surrounding items.
2. By using this product, you are deemed to have carefully read the disclaimer and warning, understand and acknowledge all the terms and contents of this statement, and promise to take full responsibility for the use of this product and the possible consequences.
3. Design and specifications are subject to change without notice.

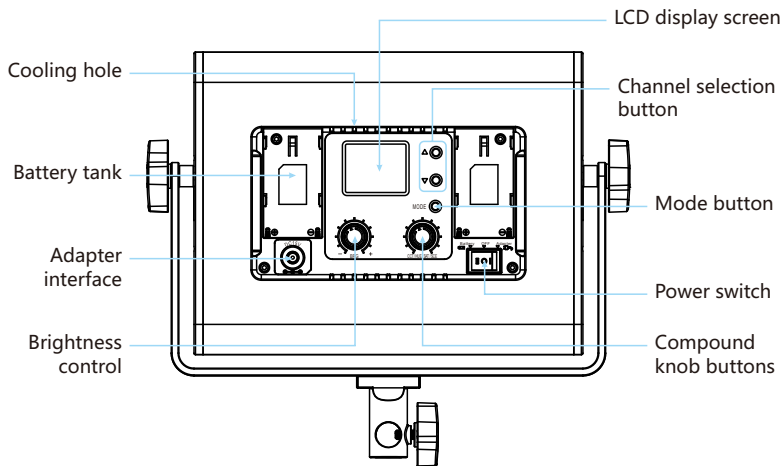
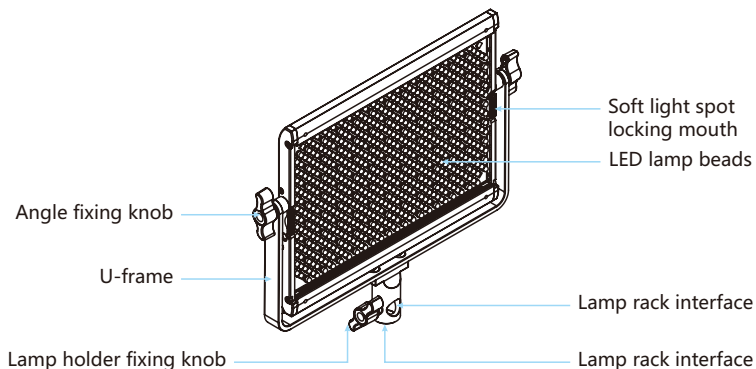
PRODUCT PARAMETER

- ◆ Brand : GVM
- ◆ Product Model : GVM-1000D
- ◆ Product Name : Photography Lights
- ◆ Product Type : Photography Fill Light
- ◆ Features : Multiple Lighting Modes, High CRI LED Beads
- ◆ Control Methods : Self Control (Rotate Mode), Bluetooth APP Control, Wireless Master-Slave Mode
- ◆ Lamp Beads Quantity : 736
- ◆ Color Rendering Index : ≥ 97
- ◆ Color Temperature : 3200k~5600k
- ◆ HUE : RGB $0^{\circ}\sim 360^{\circ}$
- ◆ SAT : $0\%\sim 100\%$
- ◆ Illuminance : 7970lux@1m ; 21400lux@0.5m
- ◆ Light Adjustment Method : Step-Less Adjustment
- ◆ Power : 45W
- ◆ Product Weight : 1.2kg
- ◆ Product Size (mm) : 270×318×40
- ◆ Voltage : AC:100-240V
- ◆ Power Supply Mode : DC Input & Battery
- ◆ Power Supply : DC15V/4A
- ◆ Product Material : Aluminum Alloy
- ◆ Cooling : Natural Heat Dissipation
- ◆ Commodity Origin : China, Huizhou

PRECAUTIONS

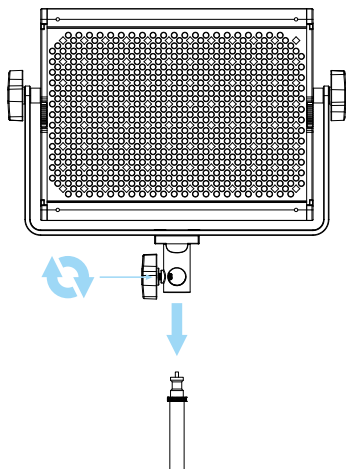
1. Please use the matching power adapter or lithium battery with the same specification to power the product. Do not use power adapter with different output voltage parameters.
2. The product is not waterproof, please use it in a rainproof environment.
3. The product is not anti-corrosion, therefore do not let the product touch any corrosive liquid.
4. When using the product, make sure the product is put firmly and prevents falling and damage.
5. If the product will not be used for a long time, please switch off the power to reduce energy loss.

PRODUCT STRUCTURE ANALYSIS

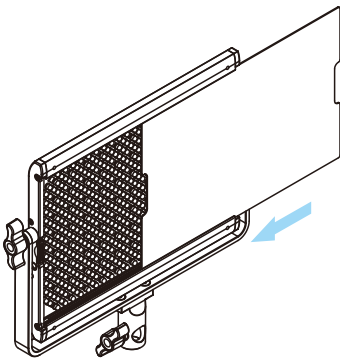


INSTALLATION METHOD

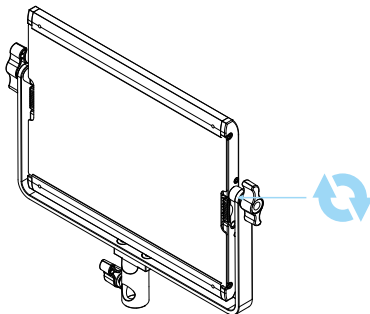
- 1 The lamp can be installed and fixed on the bracket by rotating the knob clockwise, and unloaded by rotating in the counterclockwise direction.



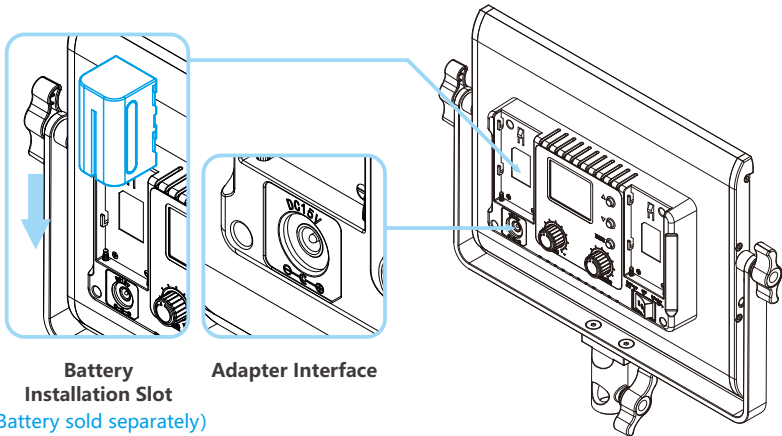
- 2 Insert the diffuser from the side of the light panel.



- 3** Loosen the adjustment knobs on both sides of the U-bracket, adjust the angle of the panel you need, and then tighten the adjustment knobs on both sides of the U-bracket.



- 4** There are two power supply modes to choose from.
- ① Connect the power cord and adapter for power supply.
 - ② Purchase two other suitable lithium batteries and use them for power supply.
(both battery cells must be plugged into power.)

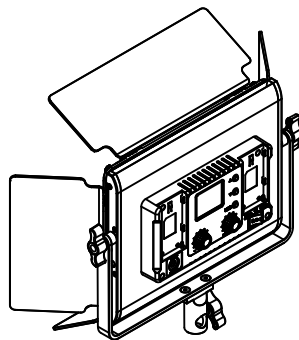
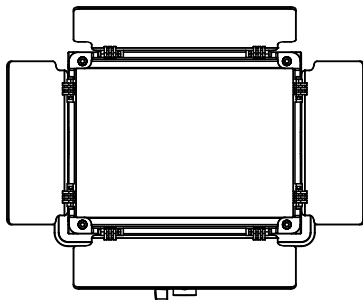
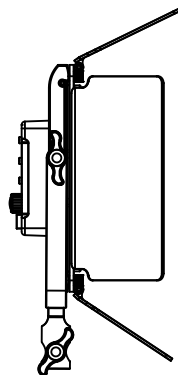
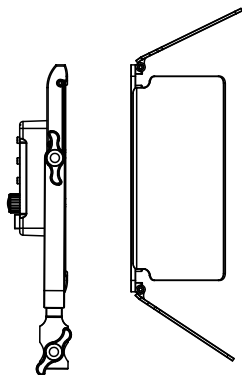


ACCESSORIES INSTALLATION METHOD

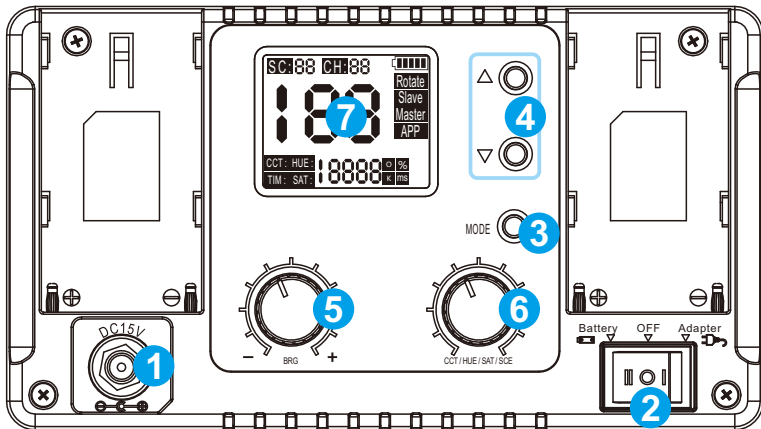
Light control folding :

Light control folding can control the Angle of light.

Align the front mounting holes with the screw holes of the hinges and lock the latches with screws.



DESCRIPTION OF PRODUCT CONTROL KEYS

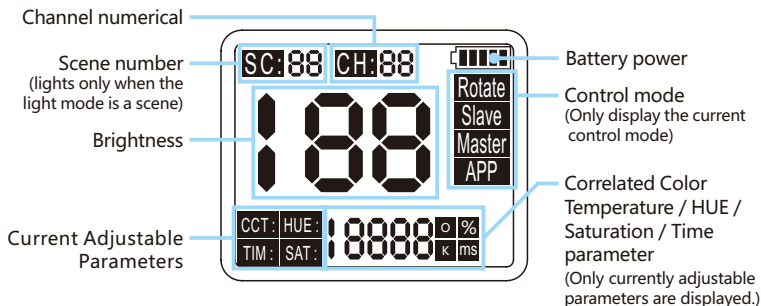


- 1 DC15V power input interface
- 2 Power switch
- 3 Mode control button: Change mode control
- 4 Change channel button: When is in master/slave mode, press this button to select the channel.
- 5 Brightness adjustment button: Adjust the brightness
- 6 Multifunctional knob: Short press to switch between color temperature, hue, and saturation. Long press for 3 seconds can activate/deactivate the scene lighting mode. In scene lighting mode, short-pressing the knob can be used to switch between parameter adjustments and scene types, while rotating the knob can be used to adjust the values.
- 7 LCD screen : displays the current lighting parameters, control modes, channel values, scene number, and more.

FUNCTION INSTRUCTION & INSTRUCTION FOR USE

① LCD screen :

The display screen shows the current brightness, control mode, lighting parameters, channel values, and battery level of the light.



② Mode types and functions :

- Press the mode button to change the control mode, such as: Rotate, slave, master, APP.

Rotate Control mode: the lighting effect is adjusted by the dimming knob.

Slave Control mode: the channels can only be adjusted by the ▲ and ▼ buttons, and if the channel of the slave machine is the same as that of the master machine, they can also be synchronized controlled.

Master Control mode: the lighting effect and channels are adjusted by the dimming knob, and the slave machines with the same channels will also be adjusted synchronously.

APP Control mode: the lighting effect is adjusted by the APP.

- The multifunctional knob can be used to switch between color temperature, hue, and saturation, while a long press of 3 seconds can activate/deactivate the scene lighting mode.

CCT mode: Adjusts the color temperature within a range of 3200K~5600K.

HUE mode: Adjusts the hue within a range of 0°~360°.

SAT mode: Adjusts the saturation within a range of 0%~100%.

SC mode: Can simulate 18 different scene lighting effects, including Lightning, Cop Car, Candle, TV, Bad Bulb, Party, Disco, Paparazzi, Explosion, Pulsing, Fire, Fireworks, Welding, CCT Loop, Hue Loop, Ambulance, Fire Engine and SOS.

③ Adjust brightness (BRG):

- In Master mode / Rotate mode, turn the brightness adjustment knob to adjust the brightness.
- In the APP mode, connect to APP and adjust brightness through APP.

④ Adjust color temperature (CCT):

- In Master mode / Rotate mode, short press and hold the multifunctional knob to switch to CCT, and then rotate the multifunctional knob to adjust the color temperature.
- In the APP mode, connect to the APP and adjust the color temperature through the APP.

⑤ Adjust HUE:

- In Master mode / Rotate mode, short press and hold the multifunctional knob to switch to HUE, and then rotate the multifunctional knob to adjust the color.
- In the APP mode, connect to the APP and adjust the color through the APP.

⑥ Adjust SAT:

- In Master mode / Rotate mode, short press the multifunctional knob to switch to SAT, and then rotate the multifunctional knob to adjust the saturation.
- In APP mode, connect to the APP, and adjust the saturation through the APP.

⑦ Adjustment scene (SC):

- In Master mode / Rotate mode, short press and hold the multifunctional knob for 3 seconds to enter/exit the scene lighting effects mode. Rotate the multifunctional knob to select the scene, press the multifunctional knob to switch to the parameter settings of the scene, and all scenes can adjust the brightness by rotating the brightness adjustment knob. When the current scene is [bad bulb / explosion / breathing light / fireworks], rotating the multifunctional knob can adjust the color temperature. When the current scene is [party / disco / color temperature cycle / color phase cycle], rotating the multifunctional knob can adjust the time. (Other scenes can only adjust brightness.)
- In the APP mode, connect to the APP and adjust the scene lighting effects through the APP.

⑧ Adjust CH:

- In Master mode/Slave mode, tap the plus/minus key to set the channel value.
- In APP mode, connect to APP and set the channel value through APP.

⑨ APP control:

Switch the photography light to the App mode, connect the photography light's Bluetooth with your phone, and you can use the App to control the brightness, color temperature, color, saturation, scene type, channel, and power on/off of the photography light. If there is a controlled machine, you can also control it through the App.

⑩ On-line control (Joint control between lamps and lanterns):

- Prepare two or more photography lights, set one to Master mode, and the others to Slave mode, and set the channel (CH) of the master and slave. When the master and slave channels are the same, the slave of the same channel can be synchronously controlled through the controller behind the master.
- Prepare two or more photography lights, set one to APP mode, and connect the mobile phone APP to set the channel; set the rest to Slave mode, and set the same channel. When the APP mode machine connected with the mobile phone APP and the slave machine channel are the same, at this time, the connected APP mode machine can be controlled through the mobile phone APP, and the slave machine of the same channel as the APP mode machine can be synchronously controlled.

APP CONTROL

1. Scan the QR code on the back of the manual to download the APP.
2. Turn on the light, switch mode to APP mode, confirm that the phone Bluetooth and APP Bluetooth permission is open (Android needs to open GPS and APP positioning permission).Then open the "GVM LED" application, enter the Bluetooth search interface (Figure 1), find the Bluetooth named "BT_LED" and click connection button, after successful connection, automatically enter the APP control interface (Figure 2/3/4), at this time, you can control the connected camera light through APP can control the connected light.
If there is a slave, the APP will synchronously control the slave of the same channel as the connected APP mode machine.

Note: Please do not pair Bluetooth in the system Bluetooth page, directly open the APP and the light Bluetooth system pairing connection.

3. You can save 6 custom light effects in "My Scenes".
After setting the light effect parameters → click the "☰" icon in the right corner → pop up the "Save Current Scenes" → click "OK". This light effect can be found in "My Scenes" at this time. (Figure 5)

Figure 1



Figure 2



Figure 3



Figure 4



Figure 5



USE AND PRESERVATION

Do not place the product in a high humidity, strong electromagnetic fields, direct sunlight, or high-temperature environment. If the product will not be used for a long time, please disconnect its power and remove the battery.

Clean: Before cleaning, disconnect the power plug. And use a damp cloth instead of any detergent or soluble liquids to avoid damaging the surface layer.

Power: Make sure the power is within the demanded range, not too high or too low. Correctly load the battery, in order not to damage the machine.

Repairing: If there is a fault or performance degradation, do not unpack the shell by yourself, avoiding damage to the machine and losing the right of maintenance. When there is a fault, do not hesitate to contact us, and we will do our best to deal with the problem.

Accessories: Please use the accessories provided by the manufacturer and approved ones, to maximize the performance.

Warranty: Do not modify the product, or you will lose the right to maintenance.

QUICK TROUBLESHOOTING

Phenomenon	Check the product	Troubleshooting
The switch indicator does not light up.	① Check the matching power adapter indicator light up or not.	Make sure the adapter is well contacted with the power plug.
	② When using lithium battery, make sure there's no "low power" protection.	Charge the battery before using it.
The brightness / color temperature knob is out of control.	Check if the mode were set as slave mode, lightness and color temperature of the products cannot be controlled in slave mode.	Press the "MODE" button for once, and switch the mode from slave mode to master mode.
The product is in the "ON" state, the display and lights are not on.	Check if the product is "OFF" because of the APP on the mobile phone.	Press the "ON/OFF" button once again.
APP can't connect / can't control.	Check whether the device is in APP mode and whether "BT_LED" is displayed on the APP.	Normal steps: ① Switch to APP mode after booting; ② Turn on Bluetooth and GPS on the phone; ③ Open the APP, search, and connect to Bluetooth BT_LED.
In RGB mode, the lamp beads have no RGB color.	Check whether the saturation (SAT) value is too low or 0. The most obvious difference is color when the saturation value is 100.	① In the main control mode / self-control mode, adjust the saturation value with the multifunctional knob. ② Connect to the APP in APP mode and adjust the saturation value through the APP.

PACKING LIST

Name	Quantity			Notes
Photography Lights	1			
Power Cord	1			
Adapter	1			
Diffuser	1			
Folding	1			
Carrying Case	1			
Instructions	1			

FCC WARNING STATEMENT

Changes or modifications not expressly approved by the party responsible for compliance could void the user's authority to operate the equipment. This equipment has been tested and found to comply with the limits for a Class B digital device, pursuant to Part 15 of the FCC Rules. These limits are designed to provide reasonable protection against harmful interference in a residential installation. This equipment generates uses and can radiate radio frequency energy and, if not installed and used in accordance with the instructions, may cause harmful interference to radio communications. However, there is no guarantee that interference will not occur in a particular installation. If this equipment does cause harmful interference to radio or television reception, which can be determined by turning the equipment off and on, the user is encouraged to try to correct the interference by one or more of the following measures:

- Reorient or relocate the receiving antenna.
- Increase the separation between the equipment and receiver.
- Connect the equipment into an outlet on a circuit different from that to which the receiver is connected.
- Consult the dealer or an experienced radio/TV technician for help.

This device complies with part 15 of the FCC Rules. Operation is subject to the following two conditions: (1) This device may not cause harmful interference, and (2) this device must accept any interference received, including interference that may cause undesired operation.

RF Exposure Statement

To maintain compliance with FCC's RF Exposure guidelines, This equipment should be installed and operated with minimum distance of 20cm the radiator your body. This device and its antenna(s) must not be co-located or operation in conjunction with any other antenna or transmitter.

PRODUCT WARRANTY

Dear user, this warranty card is important proof for applying for warranty service. Please cooperate with the salesperson to fill it out and keep it properly. Thank you!

Product Information	Model Number	Product Barcode
User Information	Name	Contact Number
	Mailing Address	
Seller Information	Name	
	Contact Number	
	Mailing Address	
	Sales Date	
Remarks		

Note: this form should be confirmed by the salesperson's stamp.

Applicable Products

This document applies to the products listed in the relevant "Product Warranty Information" (see instructions below). Other products or components that do not fall within this scope (such as promotional products, gift items, and other components added after the factory) are not covered by this warranty promise.

Warranty Period

The corresponding warranty period for products and components shall be executed according to the relevant "Product Warranty Information". The warranty period starts from the first day of purchase of the product, and the date of registration on the warranty card at the time of purchase shall prevail.

How to Obtain Warranty Service

You can directly contact the product salesperson or authorized service agency, or call GVM's after-sales service hotline to contact us and have our service personnel arrange service for you. When applying for warranty service, you should provide a valid warranty card as a warranty certificate to be eligible for warranty service. If you cannot provide a valid warranty card, we may also provide you with warranty service under the circumstance that our products or components are confirmed to be within the warranty scope, but this is not our obligation.

Cases where warranty does not apply:

If the product meets the following conditions, the warranty and service under this document will not apply:

1. The product or parts have exceeded the corresponding warranty period.
2. Malfunctions or damages caused by incorrect or improper use, maintenance, or storage, such as improper handling, use for purposes other than the reasonable expectations of the product, incorrect insertion or removal of external devices, falling or crushing due to external force, or exposure to inappropriate temperature, solvents, acids, alkalis, water immersion, or damp environments.
3. Malfunctions or damages caused by unauthorized installation, repair, modification, addition, or disassembly by institutions or personnel not authorized by GVM.
4. Modifications, changes, or removals of the original identification information of the product or its parts.
5. Lack of valid warranty card.
6. Malfunctions or damages caused by the use of unauthorized, non-standard or non-publicly released software.
7. Malfunctions or damages caused by force majeure or accidents;
8. Other malfunctions or damages not caused by quality issues of the product itself. In such cases, you should seek solutions from the relevant responsible parties, and GVM will not be held liable. Malfunctions or damages caused by components, accessories, or software not covered by the warranty or beyond the warranty scope that renders the product unable to function properly are not covered by the warranty. Fading, wear, and consumption that is normal during the product usage process is not covered by the warranty.

Product Warranty and Service Support Information

The product warranty period and service types are implemented according to the following "Product Warranty Information" for each product category, component, and optional equipment:

Product Category	Optional	Maintenance Period(Month)	Warranty Service Type
Component	Circuit Board	12 Month	Customer service repair
Other	Imaging lens, softbox, adapter, power cord, battery Handle, light stand, battery holder, battery, Fresnel lens, grid, belt, etc. Consumable or electrically sensitive parts are not covered by the warranty.	None	No Warranty

QC
PASS



GVM Official website



Facebook



Download APP

Huizhou City Latu Photographic Equipment Co., Ltd.

Web: www.gvmled.com

B&H Email: bh@gvmled.com

GVM Email: support@gvmled.com

Amazon Email: amazonsupport@gvmled.com

Warehouse Address: 12285 MCNULTY RD, STE 105 PHILADELPHIA, Pennsylvania 19154, USA