

HALCYON


EX801

If the external flexible cable or cord of this luminaire is damaged, it shall be exclusively replaced by the manufacturer or his service agent or a similar qualified person in order to avoid a hazard.

The light source of this luminaire is not replaceable; when the light source reaches its end of life the whole luminaire shall be replaced.

This luminaire must be installed by a qualified Registered Electrician to prevent damage to the luminaire and maintain electrical safety."

All exterior luminaires (with the exception of copper) require periodic cleaning to protect the surface and/or coating from corrosion and ensure tidy appearance for the lifespan of the product. Wash with care using a soft brush and warm soapy water using a neutral detergent. Coastal areas require extra attention, especially fittings which are under eaves/soffits and do not have any exposure to rain. Do not use a water blaster or high pressure hose, do not submerge fittings for extended periods of time. 316 stainless steel fittings will still develop surface rust or "tea staining" if left uncared for."

 Caution, risk of electric shock.

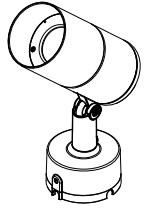


FIG-1

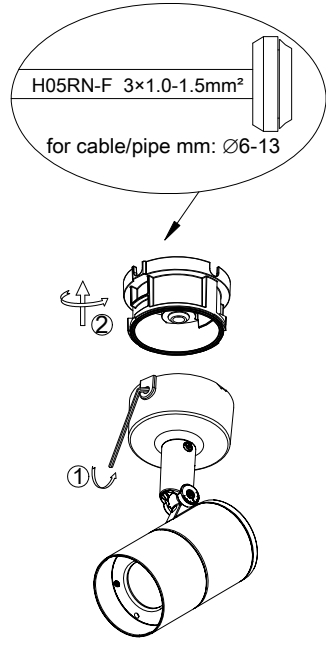
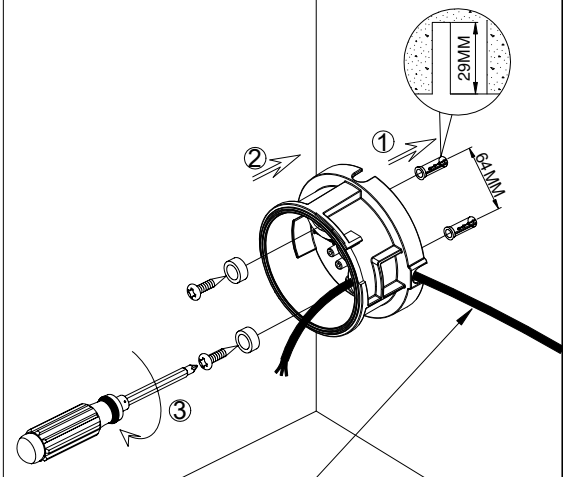


FIG-2-A
Concrete



Note: In order to reach the required IP, the input cable for the luminaires must be H05RN-F 3 × 1.0-1.5mm², and threading through before stripping.

FIG-2-B

Wood board
Please make sure the thickness of the wood board no less than 5mm

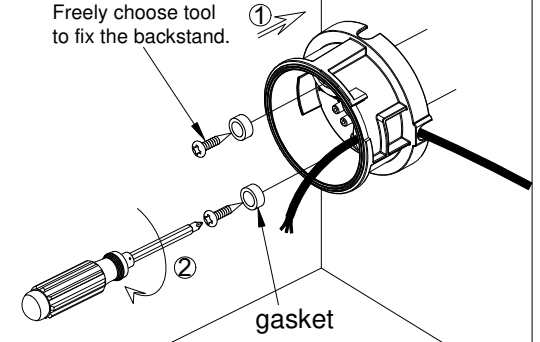


FIG-3

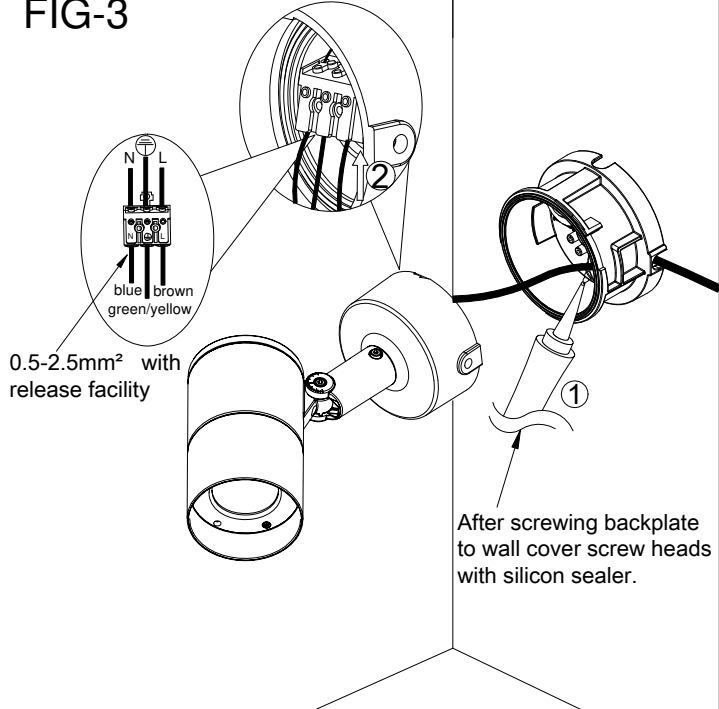


FIG-4

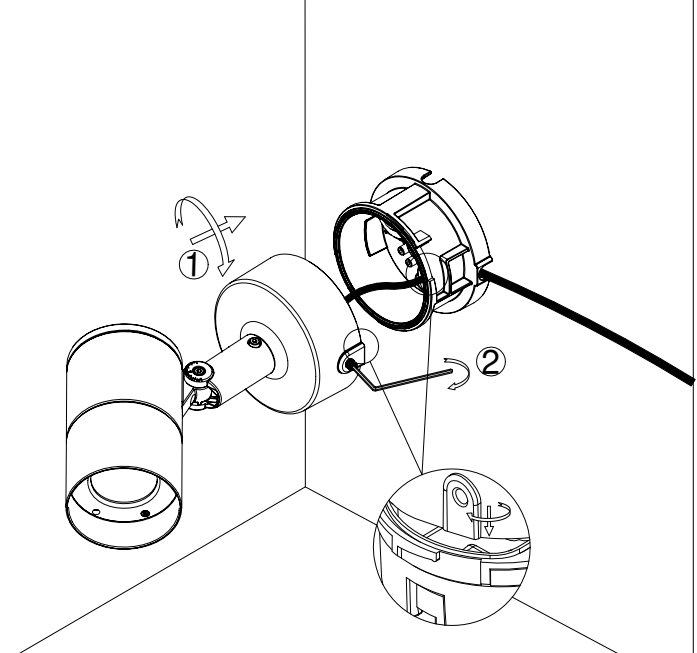


FIG-5

