

Hamilton Beach®

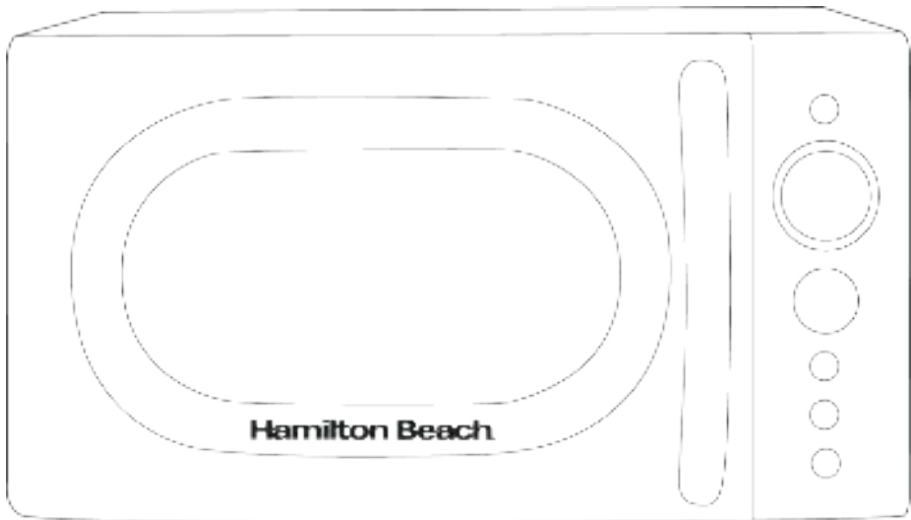
User Manual 20L Retro Microwave

HB70H20B | Black

HB70H20C | Cream

HB70H20M | Mint

HB70H20R | Red



- FOR DOMESTIC USE ONLY -

Please read this manual carefully before you use the appliance and save it for future reference.



CONTENTS

SPECIFICATIONS	1
PRECAUTIONS	2/3/4/5
IMPORTANT SAFETY INSTRUCTIONS	2
INSTALLATION GUIDE	5
RADIO INTERFERENCE	6
MICROWAVE COOKING PRINCIPLES	6
GROUNDING INSTRUCTIONS	6
BEFORE YOU CALL FOR SERVICE	7
UTENSILS GUIDE	7
PART NAMES	8
CONTROL PANEL	9
OPERATION	10/11/12
Setting The Clock	10
Microwave Cooking	10
Express Cooking	11
Weight Defrost	11
Speed Defrost	11
Multi-Stage Cooking	11
Child Lock	12
Auto Cooking	12
CLEANING AND CARE	13
DISPOSING OF THE APPLIANCE	14
GUARANTEE AND SERVICE	15
CUSTOMER SERVICE	16

SPECIFICATIONS

Power Consumption:	230V/50Hz, 1200W (microwave)
Rated microwave power output:	700W
Operation Frequency:	2450MHz
Outside Dimensions:	262mm(H)×452mm(W)×352mm(D)
Oven Cavity Dimensions:	178mm(H)×315mm(W)×296mm(D)
Oven Capacity:	Compact 20 Litres
Net Weight:	Approx.10.5kg

PRECAUTIONS TO AVOID POSSIBLE EXPOSURE TO EXCESSIVE MICROWAVE ENERGY

1. **DO NOT** attempt to operate this microwave oven with the door open since open door operation can result in harmful exposure to microwave energy. It is important not to break or tamper with the safety interlocks.
2. **DO NOT** place any object between the microwave oven front face and the door or allow soil or cleaner residue to accumulate on sealing surfaces.
3. **DO NOT** operate the microwave oven if it is damaged. It is particularly important that the oven door closes properly and that there is no damage to the:
 - a. Door (bent),
 - b. Hinges and latches (broken or loosened),
 - c. Door seals and sealing surfaces.
4. The microwave oven should not be adjusted or repaired by anyone except properly qualified service personnel.

IMPORTANT SAFETY INSTRUCTIONS

When using an electrical appliance basic safety precautions should be followed, including the following :

WARNING!--To reduce the risk of burns, electric shock, fire, injury to persons or exposure to excessive microwave energy:

1. Read all instructions before using the microwave oven and keep for future reference.
2. Only use this microwave oven for its intended use as described in the manual.

DO NOT use corrosive chemicals or vapours in this microwave oven. This type of microwave oven is specifically designed to heat, cook or dry food. It is not designed for industrial or laboratory use.

3. Do not operate the microwave oven when empty.
4. Do not operate this microwave oven if it has a damaged cord or plug, if it is not working properly, or if it has been damaged or dropped. If the supply cord is damaged, it must be replaced by the manufacturer or qualified person in order to avoid a hazard.

5. **WARNING: Only allow children over the age of 8 to use the microwave oven without supervision when adequate instructions have been given so that the child is able to use the oven in a safe way and understands the hazards of improper use.**
6. To reduce the risk of fire in the microwave oven cavity:
- When heating food in plastic or paper container, check the microwave oven frequently for the possibility of ignition.
 - Remove wire twist-ties from paper or plastic bags before placing bag in oven.
 - If smoke is observed, switch off or unplug the microwave oven and keep the door closed in order to stifle any flames.
 - Do not use the cavity for storage purposes. Do not leave paper products, cooking utensils, or food in the cavity when not in use.
 - The microwave oven is intended for heating food and beverages.
 - Drying of clothing and heating of warming pads, slippers, sponges, damp cloth and similar may lead to risk of injury, ignition or fire.
7. **WARNING: Liquid or other food must not be heated in sealed containers since they are liable to explode.**
8. Heating a beverage in the microwave oven can result in delayed eruptive boiling, therefore care has to be taken when handling the container.
9. Do not fry food in the oven. Hot oil can damage the microwave oven parts and food containers and even result in skin burns.
10. Eggs in their shell and whole hard-boiled eggs should not be heated in microwave ovens since they may explode even after microwave heating has ended.
11. Pierce foods with heavy skins such as potatoes, whole squashes, apples and chestnuts before cooking.
12. The contents of feeding bottles and baby jars should be stirred or shaken and the temperature should be checked before serving in order to avoid burns.
13. Cookware used in the microwave may become hot due to the heat transferred from the heated food. Oven gloves may be needed to handle hot cookware.
14. Containers should be checked to ensure that they are suitable for use in a microwave oven.
15. **WARNING: It is hazardous for anyone other than a trained person to carry out any service or repair operation which involves the removal of any cover which gives protection against exposure to microwave energy.**

16. This Microwave complies with EN 55011/CISPR 11, in this standard it belong to Class B Group 2 classification. Group 2 equipment: group 2 contains all ISM RF equipment in which radio-frequency energy in the frequency range 9 kHz to 400 GHz is intentionally generated and used or only used locally, in the form of electromagnetic radiation, inductive and/or capacitive coupling, for the treatment of material, for inspection/analysis purposes, or for transfer of electromagnetic energy. Class B equipment is equipment suitable for use in locations in residential environments and in establishments directly connected to a low voltage power supply network which supplies buildings used for domestic purposes.
17. This appliance is not intended for use by persons (including children) with reduced physical, sensory or mental capabilities, or lack of experience and knowledge, unless they have been given supervision or instruction concerning use of the appliance by a person responsible for their safety.
18. Children should be supervised to ensure that they do not play with the appliance.
19. The microwave oven is only to be used as a freestanding appliance.
20. **WARNING: Do not install the microwave oven over a range cooktop or other heat producing appliance. If installed the appliance could be damaged and the warranty would be void.**
21. The microwave oven should not be placed in a cabinet.
22. **CAUTION:** The door or the outer surface may get hot when the appliance is operating.
23. **WARNING:** Accessible parts may become hot during use. Young children should be kept away.
24. During use the microwave oven will become hot. Care should be taken to avoid touching heating elements inside the oven.
25. The temperature of accessible surfaces may be high when the appliance is operating.
26. The microwave oven should not be placed directly against a wall.
27. **WARNING:** If the door or door seals are damaged, the oven must not be operated until it has been repaired by a competent person.
28. The microwave oven is not intended to be operated by means of an external timer or separate remote control system.
29. The microwave oven is for household use only and **NOT** for commercial use.
30. Never remove the distance holder in the back or on the sides, as it ensures a minimum distance from the wall for air circulation.

31. Please secure the turn table before you move the appliance to avoid damages.
32. **CAUTION:** It is dangerous to repair or perform maintenance on the microwave oven by anyone other than a specialist because under these circumstances the cover would have to be removed, which provides protection against microwave radiation. This applies to changing the power cord or the lighting as well. Contact our customer services team if the product needs repair.
33. The microwave oven is intended for defrosting, cooking and steaming of food only.
34. Use oven gloves to remove any heated food.
35. **CAUTION!** Use caution when opening lids or plastic seals as hot steam can escape and cause burns.

INSTALLATION GUIDE

1. Make sure that all the packing materials are removed from the inside of the door.
2. **WARNING:** Check the oven for any damage, such as misaligned or bent door, damaged door seals and sealing surface, broken or loose door hinges and latches and dents inside the cavity or on the door. If there is any damage, do not operate the oven and contact our customer services team.
3. This microwave oven must be placed on a flat, stable surface to hold its weight and the heaviest food likely to be cooked in the oven.
4. Do not place the oven where heat, moisture, or high humidity are generated, or near combustible materials.
5. For correct operation, the oven must have sufficient airflow. Allow 20cm of space above the oven, 10cm at back and 5cm at both sides. Do not cover or block any openings on the appliance. Do not remove feet.
6. Do not operate the microwave oven without glass tray, roller support, and shaft in their proper positions.
7. Make sure that the power supply cord is undamaged and does not run under the oven or over any hot or sharp surface.
8. The socket must be readily accessible so that it can be easily unplugged in an emergency.
9. Do not use the oven outdoors.

RADIO INTERFERENCE

Operation of the microwave oven can cause interference to your radio, TV, or similar equipment. When there is interference, it may be reduced or eliminated by taking the following measures:

1. Clean door and sealing surface of the oven.
2. Reorient the receiving antenna of radio or television.
3. Move the microwave oven away from the receiver.
4. Plug the microwave oven into a different outlet so that microwave oven and receiver are on different branch circuits.

MICROWAVE COOKING PRINCIPLES

1. Arrange food carefully. Place thickest areas towards outside of the dish.
2. Watch cooking time. Cook for the shortest amount of time indicated and add more as needed. Food severely overcooked can smoke or ignite.
3. Cover foods while cooking. Covers prevent spattering and help foods to cook evenly.
4. Turn foods over once during microwave cooking to speed up the cooking of foods such as chicken and hamburgers. Large items like roasts must be turned over at least once.
5. Turn foods such as meatballs halfway through the cooking process both from top to bottom and move from the center of the dish to the outside for even cooking.

GROUNDING INSTRUCTIONS

This appliance must be grounded. This oven is equipped with a cord having a grounding wire with a grounding plug. It must be plugged into a wall receptacle that is properly installed and grounded. In the event of an electrical short circuit, grounding reduces risk of electric shock by providing an escape wire for the electric current. It is recommended that a separate circuit serving only the oven be provided. Using a high voltage is dangerous and may result in a fire or other accident causing oven damage .

WARNING Improper use of the grounding plug can result in a risk of electric shock

Note:

1. If you have any questions about the grounding or electrical instructions, consult a qualified electrician or service person.
2. Neither the manufacturer nor the retailer can accept any liability for damage to the oven or personal injury resulting from failure to observe the electrical connection procedures .

The wires in this cable main are colored in accordance with the following code:

Green & Yellow = **EARTH**

Blue = **NEUTRAL**

Brown = **LIVE**

BEFORE YOU CALL FOR SERVICE

If the oven fails to operate:

1. Check to ensure that the oven is plugged in securely. If it is not, remove the plug from the outlet, wait 10 seconds, and plug it in again securely.
2. Check for a blown circuit fuse or a tripped main circuit breaker. If these seem to be operating properly, test the outlet with another appliance.
3. Check to ensure that the control panel is programmed correctly and the timer is set.
4. Check to ensure that the door is securely closed engaging the door safety lock system. Otherwise, the microwave energy will not flow into the oven.

IF NONE OF THE ABOVE RECTIFIES THE SITUATION, THEN CONTACT OUR CUSTOMER SERVICES TEAM. DO NOT TRY TO ADJUST OR REPAIR THE MICROWAVE OVEN YOURSELF.

COOKWARE GUIDE

1. Microwave energy cannot penetrate metal. Only use cookware that is suitable for use in microwave ovens. Metallic containers for food and beverages are not allowed during microwave cooking. This requirement is not applicable if the manufacturer specifies size and shape of metallic containers suitable for microwave cooking.

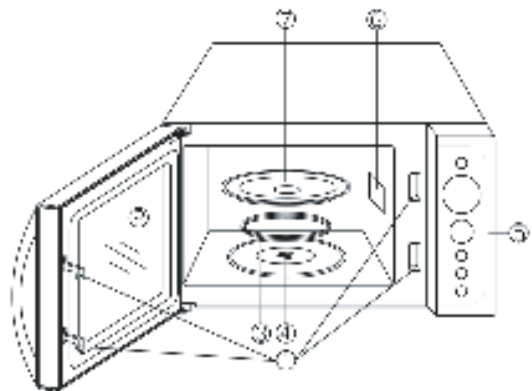
- 2. Do not use recycled paper products when microwave cooking, as they may contain small metal fragments which may cause sparks and/or fires.
- 3. Round /oval dishes rather than square/oblong ones are recommended, as food in corners tend to overcook.

The list below is a general guide to help you select the correct cookware to use in your microwave oven.

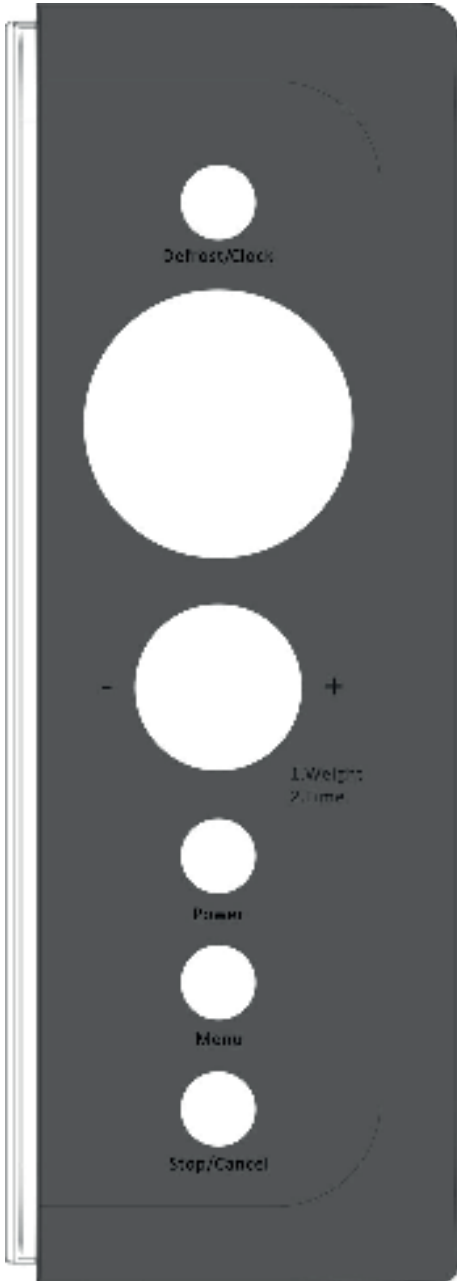
COOKWARE	MICROWAVE
Heat-Resistant Glass	Yes
Non Heat-Resistant Glass	No
Heat-Resistant Ceramics	Yes
Microwave-Safe Plastic Dish	Yes
Paper Towels	Yes
Metal Tray	No
Metal Rack	No
Aluminum Foil & Foil Containers	No

PART NAMES

- 1. Door Safety Lock System
- 2. Oven Window
- 3. Roller Ring
- 4. Shaft
- 5. Control Panel
- 6. Wave Guide
(Do not remove the mica plate covering the wave guide)
- 7. Glass Tray



CONTROL PANEL



DEFROST/CLOCK

Press once to defrost food based on time.
Press twice to defrost food based on weight.
Use to set clock time.

DISPLAY

Time, power and indicators are displayed.

WEIGHT/TIME (DIAL)

Turn to set time, food weight or servings.

START/QUICK START (DIAL)

Press the dial to start cooking programs.
Press the dial to set express cooking program.

POWER

Press to set microwave cooking power level.

MENU


Press to select auto cooking menus.

STOP/CANCEL

Press once to temporarily stop cooking, or twice to cancel cooking altogether.
It is also used to set the child lock safety feature.

Press POWER button	Cooking power (display)
Once	100% (100)
Twice	80% (80)
3 Times	60% (60)
4 Times	40% (40)
5 Times	20% (20)
6 Times	0% (00)

OPERATION

- When the oven is first plugged in, a beep will sound, and the display will show “” and “1:00”.
- When you are in the process of setting the microwave, if left idle for more than 20 seconds it will return to standby mode.
- During cooking program, press STOP/CANCEL button to pause the program, and then press START/QUICK START button to resume. If you press the STOP/CANCEL button twice, the program will be cancelled.
- After cooking ends, the display will show End and the beep will sound every two minutes until the user presses any button or opens the door.

Setting The Clock

This is a 12- or 24- hour clock. You can choose to set the clock time in 12- or 24- hour by pressing DEFROST/CLOCK button in standby mode.

1. In standby mode, press, and hold DEFROST/CLOCK for 3 seconds to select 12- hour clock, press it again to select 24- hour clock.
2. Turn WEIGHT/TIME dial to set hour digit.
3. Press DEFROST/CLOCK button.
4. Turn WEIGHT/TIME dial to set minute digit.
5. Press DEFROST/CLOCK button to confirm.

NOTE: During cooking, you can check the clock time by pressing DEFROST/CLOCK.

Microwave Cooking

1. Press POWER button repeatedly to set power level.
2. Turn WEIGHT/TIME dial clockwise to set cooking time. The longest time is 60 minutes.
3. Press START/QUICK START button to confirm.

Select power level by pressing POWER button:

Press POWER button	Cooking power (display)
Once	100% (100)
Twice	80% (80)
3 Times	60% (60)
4 Times	40% (40)
5 Times	20% (20)
6 Times	0% (00)

NOTE: During cooking, you can check the power level by pressing POWER button.

Express Cooking

Use this feature to program the oven to microwave food at 100% power conveniently. In standby mode, press START/QUICK START button repeatedly to set cooking time (each press to increase 30 seconds, and up to 10 minutes). The oven will start working automatically.

Weight Defrost

The defrosting time and power are adjusted automatically once the weight of food is programmed. The frozen food weight ranges from 100g to 1800g.

1. In standby mode, press DEFROST/CLOCK button twice.
2. Turn WEIGHT/TIME dial to select food weight.
3. Press START/QUICK START button to confirm.

NOTE: During defrosting, the system will pause to remind you to turn food over, after that, press START/QUICK START button to resume defrosting.

Speed Defrost

1. In standby mode, press DEFROST/CLOCK button once.
2. Turn WEIGHT/TIME dial to set defrosting time. The longest time is 60 minutes.
3. Press START/QUICK START button to confirm.

NOTE: During defrosting, the system will pause and sound to remind user to turn food over, and then press START/QUICK START button to resume the defrosting.

Multi-Stage Cooking

Your oven can be programmed for up to 3 automatic microwave cooking sequences. Suppose you want to set the following cooking program:

Microwave cooking



Microwave cooking (with lower power level)

1. Input the first microwave cooking program. Do not press START/QUICK START.
2. Input the second microwave cooking program.
3. Press START/QUICK START button to confirm.

NOTE: Express cooking, speed defrost, weight defrost and auto cook menus can't be set in multi-stage cooking.

Child Lock

Use to prevent unsupervised operation of the oven by children.

To set: In standby mode, press and hold STOP/CANCEL for 3 seconds, a beep will sound, the oven will auto enter child lock mode and the lock indicator light will turn on. In the lock state, all buttons are disabled.

To cancel: Press and hold STOP/CANCEL for 3 seconds, a beep will sound and the indicator light will disappear.

Auto Cook

For the following food or cooking mode, it is not necessary to program the cooking time and power. It is sufficient to indicate the type of food that you want to cook as well as the weight or servings of this food.

1. In standby mode, press MENU button repeatedly to set menu code.
2. Turn WEIGHT/TIME dial to set food weight or servings.
3. Press START/QUICK START button to confirm.

Auto Menus:

Code	Food	Note
A-1	Beverage (200 ml/cup, 1-3 cups)	<ul style="list-style-type: none">• For Beverage and Potato, the display will show the number of servings instead of food weight.• The result of auto cooking depends on factors such as the shape and size of food, your personal preference as to the doneness of certain foods and even how well you happen to place food in the microwave oven. If you find the result at any rate not satisfactory, please adjust the cooking time accordingly.
b	Rice (150-600 g)	
A-3	Pasta (100 g, 200 g, 300 g)	
A-4	Potato (230 g, 1-3 servings)	
A-5	Reheat (200-800g)	
A-6	Fish (200-600g)	
A-7	Pizza (150 g, 300 g, 450 g)	
A-8	Popcorn (100 g)	

CLEANING AND CARE

1. Turn off the oven and remove the power plug from the wall socket before cleaning.
2. Keep the inside of the oven clean. When food splatters or spilled liquids adhere to oven walls, wipe with a damp cloth. Mild detergent may be used if the oven gets very dirty. Avoid the use of spray and other harsh cleaners as they may stain, streak or dull the door surface.
3. The outside surfaces should be cleaned with a damp cloth. To prevent damage to the operating parts inside the oven, water should not be allowed to seep into the ventilation openings.
4. Wipe the door and window on both sides, the door seals and adjacent parts frequently with a damp cloth to remove any spills or splatters. Do not use abrasive cleaner.
5. DO NOT use a steam cleaner to clean the microwave oven.
6. Do not allow the control panel to become wet. Clean with a soft, damp cloth. When cleaning the control panel, leave oven door open to prevent oven from accidentally turning on.
7. If steam accumulates inside or around the outside of the oven door, wipe with a soft cloth. This may occur when the microwave oven is operated under high humidity conditions this is normal.
8. It is occasionally necessary to remove the glass tray for cleaning. Hand wash the tray in warm sudsy water or in a dishwasher.
9. The roller ring and oven floor should be cleaned regularly to avoid excessive noise. Simply wipe the bottom surface of the oven with mild detergent. The roller ring may be washed in mild sudsy water or dishwasher. When removing the roller ring from cavity floor for cleaning, be sure to replace in the proper position.
10. Remove odours from your oven by combining a cup of water with the juice and skin of one lemon in a deep microwaveable bowl, microwave for 5 minutes. Remove the bowl and wipe thoroughly dry with a soft cloth.
11. When it becomes necessary to replace the microwave oven light, please consult a to have it replaced.
12. The oven should be cleaned regularly and any food deposits removed. Failure to maintain the oven in a clean condition could lead to deterioration of the surface that could adversely affect the lifespan of the appliance and possibly result in hazardous situations.
13. Please do not dispose this appliance with your general waste; it should be taken to a local appliance recycling point.


DISPOSING OF THE APPLIANCE

Appliances bearing the symbol shown here may not be disposed of in domestic rubbish. You are required to dispose of old electrical and electronic appliances like this separately.

Please visit www.recycle-more.co.uk or www.recyclenow.co.uk for access to information about the recycling of electrical items.

Please visit www.weeeireland.ie for access to information about the recycling of electrical items purchased in Ireland.

The WEEE directive, introduced in August 2006, states that all electrical items must be recycled, rather than taken to landfill. Please arrange to take this appliance to your local Civic Amenity site for recycling, once it has reached the end of its life.

Correct Disposal of this product	
	This marking indicates that this product should not be disposed with other household wastes throughout the EU. To prevent possible harm to the environment or human health from uncontrolled waste disposal, recycle it responsibly to promote the sustainable reuse of material resources. To return your used device, please use the return and collection systems or contact the retailer where the product was purchased. They can take this product for environmental safe recycling.

GUARANTEE & SERVICE

This product is covered by a 12-month warranty, please read the guarantee and service carefully and keep for future use.

Please Note: To maintain the validity of the warranty, it is imperative to register it within the initial 30 days of purchase. Any registration made beyond this time frame will result in the warranty being deemed void.

This warranty applies to products purchased and used in the UK. This is the only express warranty for this product and is in lieu of any other warranty or condition. This product is warranted to be free from defects in material and workmanship for a period from the date of original purchase; this timeframe can vary based on the product. Please refer to our product pages or contact our customer service team if you are unsure of the duration of the products warranty period. During this period, your exclusive remedy is repair or replacement of this product or any component found to be defective, at our option; however, you are responsible for all costs associated with returning the product to us and our returning a product or component under this warranty to you. If the product or component is no longer available, we will replace with a similar one of equal or greater value.

This warranty does not cover glass, filters, wear from normal use, use not in conformity with the printed directions, or damage to the product resulting from accident, alteration, abuse, or misuse. This warranty extends only to the original consumer purchaser or gift recipient. Keep the original sales receipt, as proof of purchase is required to make a warranty claim. This warranty is void if the product is used for other than single-family household use or subjected to any voltage and waveform other than as specified on the rating label (e.g., 120V ~ 60 Hz). We exclude all claims for special, incidental, and consequential damages caused by breach of express or implied warranty. All liability is limited to the amount of the purchase price. Every implied warranty, including any statutory warranty or condition of merchantability or fitness for a particular purpose, is disclaimed except to the extent prohibited by law, in which case such warranty or condition is limited to the duration of this written warranty.

To make a warranty claim, do not return this appliance to the store. Please call **01274 752624** or email **customerservice@hamiltonbeach.co.uk**. For faster service, locate the model number on the rating label on your appliance. Alternatively, **please scan the QR code below** to be directed to our warranty registration page:



CUSTOMER SERVICE

If you have any questions or concerns about your new product, please contact our helpful Customer Support Team:



01274 752624



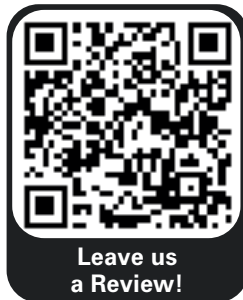
customerservice@hamiltonbeach.co.uk



www.hamiltonbeach.co.uk

Please have your Model No. available. This can be found on the front cover of this instruction manual and on the appliance's rating label.

Love your purchase?
Please leave us a review!



The user manual can also be downloaded from our website:
www.hamiltonbeach.co.uk

Hamilton Beach®

cook with **confidence**

Trusted quality for over 100 years.

Discover the innovative and dependable products that have made Hamilton Beach a trusted name since 1910.

We make your cooking experience easier.

#Cookwithconfidence

Join our community!

Follow us for news, recipe ideas, offers and tips...



@hamiltonbeachuk

www.hamiltonbeach.co.uk



The user manual can also be downloaded from our website:
www.hamiltonbeach.co.uk