

Hamilton Beach®

INSTRUCTIONS

HB70T20B
HB70T20S
HB70T20W



Essential
20L Manual Microwave

 www.hamiltonbeach.co.uk

FOR DOMESTIC USE ONLY.

THANK YOU

For purchasing the Hamilton Beach Essential 20L Manual Microwave



REGISTER YOUR PURCHASE



www.hamiltonbeach.co.uk/pages/register-my-warranty



Scan QR code using mobile device

WARRANTY REGISTRATION

Thank you for choosing Hamilton Beach for your home appliances. As part of our commitment to quality, your appliance is covered by a 2-year warranty. To ensure that you enjoy the full benefits of this warranty, we encourage you to register your product after purchase.

Why Register Your Warranty?

- Stay updated: Receive important information about your product.
- Quick assistance: In case you need to contact us in the future, we can help you faster.
- Receive product news, offers and competitions.

How to Register Your Warranty:

To register your product warranty, please gather the following information and scan the QR code above.

- Model number of your appliance.
- Details of your place of purchase.
- Your contact details.

Warranty MUST be registered within 30 days of purchase. Any warranty registered after 30 days will be void.

Please Note: We only accept warranty registrations for products purchased in the UK.

CONTENTS

Product Registration	1
Specifications	2
Important Safeguards	3
Product Overview	4
Control Panel	5
Using Your Appliance	6
Utensils Guide	6
Cooking Tips	7
Cleaning & Care	8
Troubleshooting	9
Disposing of the Appliance	9
Customer Support	10
Guarantee & Service	11

SPECIFICATIONS

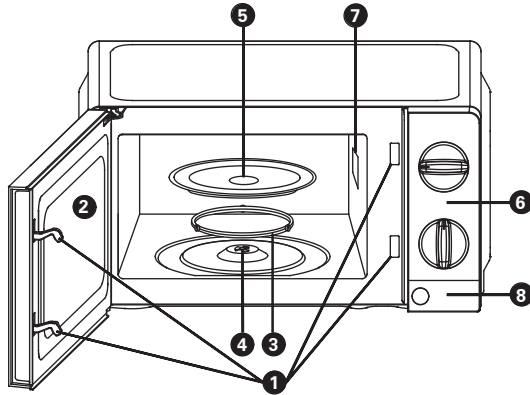
Power Consumption:	230V/50Hz, 1100W (microwave)
Rated microwave power output:	700W
Operation Frequency:	2450MHz
Outside Dimensions:	243mm(H)×446mm(W)×342mm(D)
Oven Cavity Dimensions:	202mm(H)×301mm(W)×311mm(D)
Oven Capacity:	Compact 20 Litres
Net Weight:	Approx. 9.4 kg

IMPORTANT SAFEGUARDS



The use of any electrical appliance requires the following common sense safety rules. Please read these instructions carefully before using the product.

- **WARNING:** If the door or door seals are damaged, do not operate the oven until it has been repaired by a trained professional or contact Hamilton Beach Customer Services for assistance.
 - **WARNING:** Only a trained person should carry out service or repair operations involving the removal of covers providing protection against exposure to microwave energy.
 - **WARNING:** Liquids or sealed containers must not be heated as they may explode.
 - **WARNING:** Misuse of this appliance may result in injury.
1. Use only utensils suitable for microwave ovens.
 2. Metallic containers are not allowed during microwave cooking.
 3. When heating food in plastic or paper containers, monitor the oven to prevent ignition.
 4. The microwave is for heating food and beverages; avoid drying clothing or heating non-food items.
 5. In case of smoke, switch off or unplug the appliance, keeping the door closed to stifle flames.
 6. Stir or shake the contents of baby bottles and food jars, checking the temperature before consumption.
 7. Avoid heating eggs in their shells, as they may explode.
 8. Keep the oven clean to prevent deterioration and potential hazards.
 9. Do not place the appliance in a cabinet.
 10. Take care not to displace the turntable when removing containers.
 11. Do not clean the appliance with a steam cleaner.
 12. Install the appliance below 900 mm above the floor, leaving a minimum of 100 mm free space above.
 13. Adult supervision is required when children use the oven in combination mode due to generated temperatures.
 14. If the supply cord is damaged, replace it with assistance from the manufacturer or a qualified person.
 15. This appliance is suitable for use by children aged 8 years and above under adult supervision.
 16. Children should not play with the appliance; cleaning and user maintenance should not be done by unsupervised children.



Product Features:

- 1** Door Lock:
Microwave oven door must be properly closed in order for it to operate.
- 2** Viewing Window:
Allows user to see the cooking status.
- 3** Rotating Ring:
The glass turntable is supported and balanced by the rings wheels.
- 4** Rotating Axis:
The glass turntable rotates on its axis, driven by the underlying motor.
- 5** Turntable:
The food sits on the turntable, its rotation during operation helps cook food evenly.



CAUTION:

- Place the rotating ring first
- Fit the turntable onto the rotating axis and make sure that it is geared in properly.



Control Panel:

See below in details (the control panel is subject to change)



Wave guide Cover:

It is inside the microwave oven, next to the wall of the control panel.



WARNING:

- Never remove the wave guide cover.



Door Release Button:

Press this to open the microwave door.

CONTROL PANEL

Control Panel Overview:

- The control panel features two primary function operators: a timer and power dial.

Power/Action Selector

- This dial allows you to choose a cooking power level.

Timer Dial:

- This dial allows you to set the cooking time, up to 30 minutes per session, with a simple turn of your thumb.

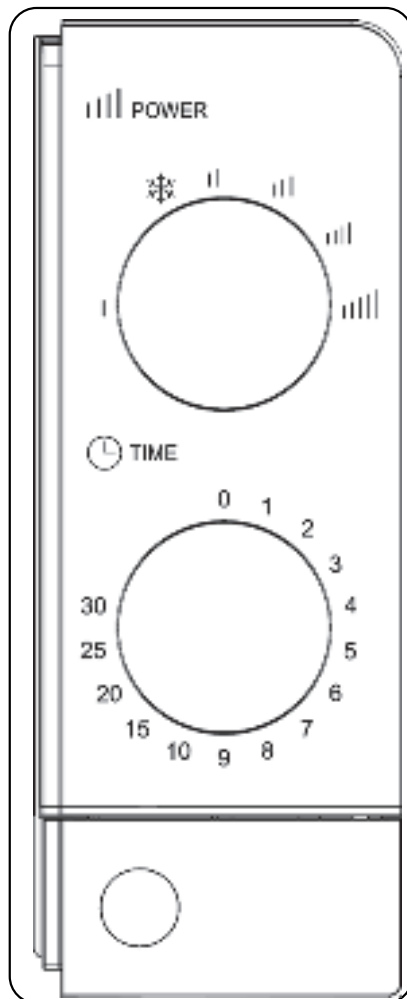
Microwave Cooking:

- For microwave cooking, there are six power levels to choose from, allowing you to select the best setting for your needs.

Power:

- Turning the power dial clockwise increases the power level. The power levels are classified as follows:

Power Output	Description
LOW	20%
DEFROST	42%
M.LOW	52%
MED	73%
M.HIGH	88%
HIGH	100%



USING YOUR APPLIANCE

To Start a Cooking Session:

- Place the food in the oven and close the door.
- Turn the Power Selector to choose a power level.
- Use the Timer knob to set the cooking time.

NOTE: The oven begins cooking as soon as the timer is turned.

For times less than 2 minutes, turn the timer past 2 minutes and then return to the desired time.

CAUTION: Always return the timer to the zero position when removing food from the microwave before the set cooking time is complete and when the microwave is not in use. To stop the microwave during cooking, push the door release button.

UTENSILS GUIDE

It is highly advised to use containers that are safe and suitable for microwave cooking. Typically, containers made of heat-resistant ceramic, glass, or plastic are appropriate for microwave use. Avoid using metal containers for microwave and combination cooking to prevent sparks. Please refer to the table below for guidance.

Material of Container	Microwave	
Heat-Resistant Ceramic	Yes	Never use ceramics which are decorated with a metal rim or glazed.
Heat-Resistant Plastic	Yes	Not suitable for prolonged microwave cooking.
Heat-Resistant Glass	Yes	Suitable for microwave cooking.
Grill Rack	No	Never use metal when microwave cooking.
Plastic Film	Yes	Do not use plastic film in the microwave as it may melt, release harmful chemicals, and pose a risk of contaminating the food.

COOKING TIPS

Factors Affecting Cooking Results:

Food Arrangement: Place thicker sections towards the outer edges of the dish, thinner parts in the centre, and ensure even distribution. Overcooking may cause smoke and burns.

Cooking Time: Start with a short cooking duration, check it after the timer ends, and adjust as needed. Overcooking can result in smoke and burns.

Even Cooking: Turn meats once during cooking and stir food from the outer edges to the centre of the dish once or twice, depending on the type of food.

Allow Standing Time:

Allow the food to remain in the oven for a sufficient duration after the cooking time elapses to complete its cooking cycle and facilitate a gradual cooling process.

Whether The Food Is Done:

1. The colour and firmness of the food aid in determining its oneness; these factors include:
2. Steam coming out from all parts of food, not just the edge
3. Joints of poultry can be moved easily
4. Pork or poultry shows no signs of blood
5. Fish is opaque and can be sliced easily with a fork

Browning Dish:

When using a browning dish or a self-heating container, always place a heat-resistant insulator such as a porcelain plate under it to prevent damage to the turntable and rotating ring.

Microwave Safe Plastic Film:

If you are using a microwave safe plastic film specifically designed for microwave use, then ensure that when cooking food with a high fat content - do not allow the film to come into contact with the food as it may melt, due to the high temperature of the fat.

Microwave Safe Plastic Cookware:

Certain plastic cookware labelled as microwave-safe may not be suitable for cooking high-fat or high-sugar content foods. Refrain from using plastic cookware for extended periods of microwave cooking.

1. Turn off the oven and unplug it from the wall socket before cleaning.
2. Maintain the cleanliness of the oven interior by wiping off food splatters or spilled liquids with a damp cloth. If necessary, use a mild detergent for thorough cleaning. Avoid harsh cleaners, sprays, or substances that may stain, streak, or dull the door surface.
3. Clean the exterior surfaces with a damp cloth, taking care to prevent water from entering ventilation openings and causing damage to internal operating parts.
4. Regularly wipe the door, window on both sides, door seals, and adjacent parts with a damp cloth to remove spills or splatters. Avoid abrasive cleaners.
5. DO NOT use a steam cleaner to clean the microwave oven.
6. Keep the control panel dry; clean it with a soft, damp cloth. When cleaning the control panel, leave the oven door open to prevent accidental activation.
7. If steam accumulates inside or around the outside of the oven door, wipe it away with a soft cloth. This may happen during high humidity conditions while operating the microwave oven, and it is considered normal.
8. Occasionally, it may be necessary to remove the glass tray for cleaning. Hand wash the tray in warm soapy water or place it in a dishwasher.
9. Regularly clean the roller ring and oven floor to prevent excessive noise. Wipe the bottom surface of the oven with mild detergent. The roller ring can be washed in mild soapy water or a dishwasher. When removing the roller ring for cleaning, ensure it is replaced in the correct position.
10. Eliminate odours from your oven by microwaving a bowl containing a cup of water with the juice and skin of one lemon for 5 minutes. Remove the bowl and wipe it dry thoroughly with a soft cloth.
11. If you need to replace the microwave oven light, please consult a professional to have it replaced.
12. Ensure regular cleaning of the oven, removing any food deposits. Failure to maintain a clean oven may lead to surface deterioration, negatively impacting the appliance's lifespan and potentially causing hazardous situations.
13. Do not dispose of this appliance with your general waste; take it to a local appliance recycling point.

TROUBLESHOOTING

Please check the following before contacting customer services;

If the oven fails to operate:

1. Check to ensure that the oven is plugged in securely. If it is not, remove the plug from the outlet, wait 10 seconds, and plug it in again securely.
2. Check for a blown circuit fuse or a tripped main circuit breaker. If these seem to be operating properly, test the outlet with another appliance.
3. Check to ensure that the control panel is programmed correctly and the timer is set.
4. Check to ensure that the door is securely closed engaging the door safety lock system. Otherwise, the microwave energy will not flow into the oven.

If none of the solutions above resolves the issue, please reach out to our Customer Services Team. Do not attempt to adjust or repair the microwave oven yourself.

DISPOSING OF THE APPLIANCE

Appliances bearing the symbol shown here may not be disposed of in domestic rubbish. You are required to dispose of old electrical and electronic appliances like this separately.

Please visit www.recycle-more.co.uk or www.recyclenow.co.uk for access to information about the recycling of electrical items.

Please visit www.weeeireland.ie for access to information about the recycling of electrical items purchased in Ireland.

The WEEE directive, introduced in August 2006, states that all electrical items must be recycled, rather than taken to landfill. Please arrange to take this appliance to your local Civic Amenity site for recycling, once it has reached the end of its life.

Correct Disposal of this Product



This marking indicates that this product should not be disposed with other household wastes throughout the EU. To prevent possible harm to the environment or human health from uncontrolled waste disposal, recycle it responsibly to promote the sustainable reuse of material resources. To return your used device, please use the return and collection systems or contact the retailer where the product was purchased. They can take this product for environmental safe recycling.

CUSTOMER SUPPORT

If you have any questions or concerns about your new product, please contact our helpful Customer Support Team. Please have your Model No. available. This can be found on the front cover of this instruction manual and on the appliance's rating label.

We're here to help!



01274 752624



customerservice@hamiltonbeach.co.uk



www.hamiltonbeach.co.uk

You can also visit our website for convenient live chat assistance.

Happy with your new product?

We would love to hear about your experience. Scan the QR code below to share your feedback.



Leave Us A
Review

GUARANTEE & SERVICE



Register your purchase

www.hamiltonbeach.co.uk/pages/register-my-warranty

Scan QR code using mobile device

To make a warranty claim, do not return this appliance to the store.

Please call **01274 752624** or email **customerservice@hamiltonbeach.co.uk**. For faster service, locate the model number on the rating label on your appliance. Alternatively, **please scan the QR code above** to be directed to our warranty registration page.

This product is covered by a 2 year warranty, please read the guarantee and service carefully and keep for future use.

Please Note: To maintain the validity of the warranty, it is imperative to register it within the initial 30 days of purchase. Any registration made beyond this time frame will result in the warranty being deemed void.

This warranty is valid for products purchased and used in the UK and serves as the sole express warranty for the product, replacing any other warranty or condition. The product is guaranteed to be free from defects in material and workmanship for a specified period from the original purchase date. The warranty covers repair or replacement of defective components, with the responsibility for return shipping costs falling on the customer. If the original product or component is unavailable, a replacement of equal or greater value will be provided.

Exclusions to this warranty include glass, filters, normal wear, improper use, accidents, alterations, abuse, or misuse. The warranty is applicable only to the original consumer purchaser or gift recipient, requiring proof of purchase for warranty claims. It becomes void if the product is used for purposes other than single-family household use or operated outside specified voltage and waveform requirements. The warranty disclaims all claims for special, incidental, and consequential damages, limiting liability to the purchase price. Every implied warranty, except where prohibited by law, is disclaimed, and any statutory warranty or condition is limited to the duration of this written warranty.

The user manual can also be downloaded from our website:

www.hamiltonbeach.co.uk