

HB70T20B
HB70T20S
HB70T20W

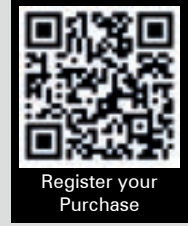


20L Manual Microwave

THANK YOU

Register your purchase:

Thank you for choosing Hamilton Beach.
Register your appliance to activate the 2-year warranty.



Scan QR code using mobile device

Or visit: www.hamiltonbeach.co.uk/pages/register-my-warranty

Why Register Your Warranty?

- Stay updated: Receive important information about your product.
- Quick assistance: In case you need to contact us in the future, we can help you faster.
- Receive product news, offers and competitions.

How to Register Your Warranty:

To register your product warranty, please gather the following information and scan the QR code above.

- Model number of your appliance.
- Details of your place of purchase.
- Your contact details.

To activate your warranty, please ensure it is registered within 30 days of your purchase. Registrations received after this 30-day window will be considered invalid.

Important: Warranty registrations are only accepted for products purchased in the UK.

For more details, visit:

www.hamiltonbeach.co.uk/pages/terms-conditions

Warranty Registration	01
Specifications	02
Important Safeguards	03
Product Overview	05
Control Panel	06
Using Your Appliance	07
Utensils Guide	08
Cooking Tips	08
Cleaning & Care	10
Disposing of the Appliance	11
Customer Support	12
Guarantee & Service	13

SPECIFICATIONS**Items supplied:**

- 1x Microwave Unit
- 1x Roller Ring
- 1x Glass Turntable
- 1x Manual

Check for damage and remove all packaging before use.



Attention: Do not remove the rating label or any warning information on the bottom or back of the appliance.

Power Consumption:	230V~ ,50Hz, 1100W (microwave)
Power Output:	700W
Frequency:	2450MHz
Capacity:	20 Litres
Net Weight (kg):	Approx. 9.4 kg
Product Dimensions (cm):	24.3 (H) x 44.6 (W) x 34.2 (L)
Cavity Dimensions (cm):	20.2 (H) x 30.1 (W) x 31.1 (L)
Cable Length (cm):	Approx. 80cm (excluding plug)

IMPORTANT SAFEGUARDS



Attention: Before using, read all instructions carefully and retain for future use. Always follow basic safety precautions when using electrical appliances, including the guidelines below:



Warning! Note all safety notices, instructions, illustrations and technical data provided with this appliance. Failure to follow the safety notices may result in electric shock, fire and/or injuries.

Intended Use:

- This appliance is designed solely for domestic use and is not suitable for commercial purposes.
- The appliance must be used indoors only and is not intended for outdoor use.

Safety Notices:

- This appliance can be used by children 8+ and individuals with reduced abilities if instructed on safe usage and aware of risks.
- Children should not play with the appliance.
- Cleaning and maintenance should only be done by children over 8 and under supervision.
- Always read instructions before use and keep for reference.
- Do not use if the door or seals are damaged; contact a professional or Hamilton Beach Customer Services.
- Only trained individuals should perform repairs involving microwave protection covers.
- Do not heat liquids or sealed containers, as they may explode.
- Use microwave-safe utensils; avoid metallic containers.
- Monitor the oven when heating food in plastic or paper containers to prevent ignition.
- The microwave is for heating food and beverages, not for drying clothing or heating non-food items.

IMPORTANT SAFEGUARDS



Caution!: Hot surfaces!

- Take care not to displace the turntable when removing containers.
- Allow the glass plate to cool for 20 minutes before placing it in water to avoid cracking.



Danger!: Danger of electric shock!

- Ensure the appliance's voltage matches your home's; do not use if mismatched.
- Keep the cord away from edges, hot surfaces, and liquids.
- Replace a damaged cord with professional assistance.
- Connect to a properly earthed outlet.
- In case of smoke, switch off, unplug, and keep the door closed.
- Do not clean with a steam cleaner.



Warning!: Risk of fire!

- Keep the oven clean to prevent deterioration and potential hazards.
- Do not place the appliance in a cabinet.
- Install the appliance below 90 cm above the floor, leaving a minimum of 20 cm free space above.



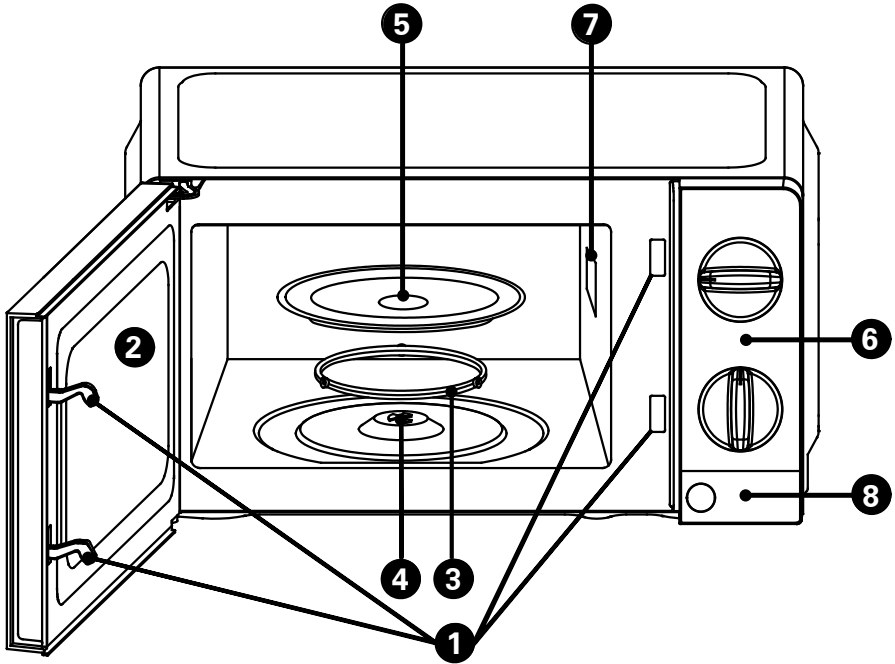
Warning!: Danger of injury!

- Stir or shake the contents of baby bottles and food jars, checking the temperature before consumption.
- Avoid heating eggs in their shells, as they may explode.

Technical Information:

- Group 2 Class B appliance: Suitable for domestic use and low voltage power supply networks.

PRODUCT OVERVIEW



- | | |
|-------------------------|------------------------------|
| 1 Door Lock | 5 Turntable |
| 2 Viewing Window | 6 Control Panel |
| 3 Rotating Ring | 7 Waveguide Cover |
| 4 Rotating Axis | 8 Door Release Button |

Power Consumption:	230V~ ,50Hz, 1100W (microwave)
Power Output:	700W
Frequency:	2450MHz
Capacity:	20 Litres
Net Weight (kg):	Approx. 9.4 kg
Product Dimensions (cm):	24.3 (H) x 44.6 (W) x 34.2 (L)
Cavity Dimensions (cm):	20.2 (H) x 30.1 (W) x 31.1 (L)
Cable Length (cm):	Approx. 80cm (excluding plug)

Control Panel Functions:

The control panel has two main function controls: a timer dial and a power dial.

Power Dial:

- This dial lets you select the desired cooking power level.

Timer Dial:

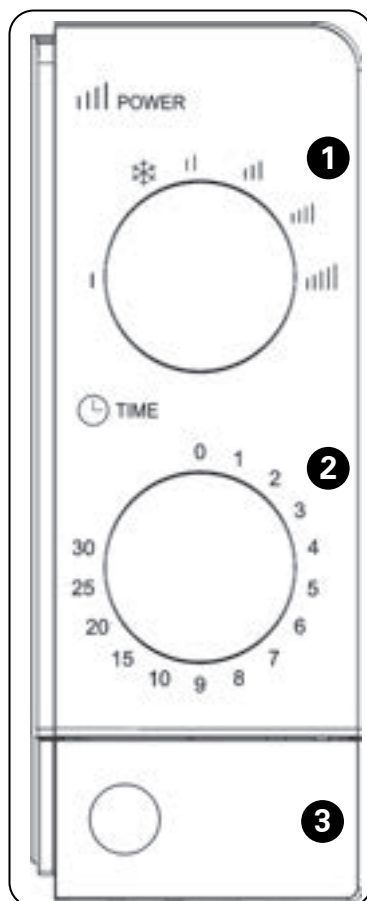
- This dial allows you to set the cooking duration, up to 30 minutes per session, with a simple turn of your thumb.

Microwave Cooking:

- There are six different power levels available for microwave cooking, allowing you to choose the most suitable setting for your needs.

Power:

- Turning the power dial clockwise increases the power level. The power levels are categorised as follows:



Power Output:	Description:
Low	20 %
Defrost	42 %
Medium Low	52 %
Medium	73 %
Medium High	88 %
High	100 %

USING YOUR APPLIANCE

Before first use:

- Remove all packaging and protective film; inspect for damage and contact the retailer or service centre if necessary.
- Place the microwave in a dry, non-corrosive area, away from heat and humidity sources.
- Ensure proper ventilation with at least 10 cm from the back, 5 cm from the sides, and 20 cm above; position 90 cm above the ground.
- Keep it 5 m away from TVs, radios, or antennas to avoid interference.
- Ensure the plug is accessible and the appliance is properly earthed.
- Always operate with the door closed.
- Do not place in a cabinet; it is for free-standing use only.
- If an odour or smoke occurs, microwave a cup of water on high for several cycles with the door open for ventilation.

Operating Instructions:

Starting a Cooking Session:

- Place the food in the oven and securely close the door.
- Turn the Power Selector dial to choose the desired power level.
- Use the Timer knob to set the appropriate cooking time.



Note:

- The oven starts cooking as soon as the timer is turned.
- For times under 2 minutes, turn the timer past the 2-minute mark, then return it to the desired time.
- To stop the microwave during cooking, press the door release button.



Caution!: Always return the timer to the zero position when removing food before the set time ends or when the microwave is not in use.

Use microwave-safe containers made of heat-resistant ceramic, glass, or plastic. Avoid metal containers, as they may cause sparks. Always check that containers are suitable for microwave use to ensure safety.

Container Material	Microwave Suitable	Notes
Heat Resistant Ceramic	Yes	Never use ceramics with a metal rim or glazed decoration.
Heat Resistant Plastic	Yes	Not suitable for prolonged microwave cooking.
Heat Resistant Glass	Yes	Suitable for microwave cooking.
Grill Rack	No	Never use metal when microwave cooking.
Plastic Film	No	Do not use plastic film in the microwave as it may melt, release harmful chemicals, and contaminate the food.

COOKING TIPS

Food Arrangement:

- Place thicker sections of food towards the outer edges of the dish and thinner parts in the centre to ensure even heat distribution.
- Spread food evenly and avoid stacking items to prevent uneven cooking.

Cooking Time:

- Begin with a shorter cooking duration and check the food when the timer finishes.
- If more time is needed, add it in short increments to avoid overcooking.
- Overcooking can lead to smoke, burns, or damage to the food's texture.

Ensuring Even Cooking:

- Turn meats once during cooking to ensure they heat evenly.

COOKING TIPS

- Stir food once or twice, especially for larger portions, moving the outer edges towards the centre.
- Cover dishes with microwave-safe lids or vented plastic wrap to retain moisture.

Standing Time:

- Allow food to stand for a few minutes after cooking to finish the cooking process and enable even heat distribution.
- Standing time also helps prevent burns from steam and lets the temperature stabilise.

Checking If Food Is Done:

- Ensure steam is rising from all parts of the dish, not just the edges.
- Poultry joints should move easily, and there should be no traces of blood.
- Fish should appear opaque and flake easily with a fork.

Using Browning Dishes:

Always place a heat-resistant insulator, such as a microwave-safe porcelain plate, under browning dishes to protect the microwave turntable.

Microwave-Safe Plastic Film:

Only use plastic film designed for microwave use.

Avoid allowing plastic film to touch high-fat foods, as heat from the fat can cause melting and release harmful chemicals.

Microwave-Safe Plastic Cookware:

Ensure plastic cookware is clearly labelled as microwave-safe.

Avoid using plastic containers for extended cooking periods or with high-fat or high-sugar foods, as they may warp or release chemicals.

Always disconnect the appliance from the power outlet and allow it to cool down completely before cleaning.



Caution!: Do not immerse the cord, electric plugs, or the appliance in water or any other liquids to protect against fire, electric shock, or personal injury.



Caution!: Avoid chemical, steel, wooden, or abrasive cleaners to maintain the microwaves finish.

- Turn off and unplug the oven before cleaning.
- Clean the interior with a damp cloth, using mild detergent if needed.
- Wipe the exterior, avoiding water in ventilation openings.
- Regularly clean the door, seals, and window with a damp cloth.
- Avoid abrasive cleaners and steam cleaners.
- Clean the control panel with a soft, damp cloth while keeping the door open.
- Clean the glass tray, roller ring, and oven floor regularly.
- To remove odors, microwave water with lemon juice.
- Consult a professional for light replacements.
- Recycle the appliance properly when disposed of.

DISPOSING OF THE APPLIANCE

Disposal and Recycling Information



Correct Disposal of this Product:

This device is governed by the European Directive 2012/19/EU on waste electrical and electronic equipment (WEEE). Do not dispose of this device as normal domestic waste, but rather in an environmentally friendly manner via an officially approved waste disposal company.

Disposal of devices with the symbol:

- Items marked with this symbol must not be disposed of with normal household waste. Make sure these devices are disposed of separately.

WEEE Directive:

- The WEEE Directive, which has been in effect since August 2006, requires the recycling of all electrical equipment. At the end of the product's life, please take it to a local collection point for proper disposal.
- For more information about recycling in your country, please visit the following websites:



United Kingdom:

- www.recycle-more.co.uk
- www.recyclenow.co.uk



Ireland:

- www.weeeireland.ie



Germany:

- www.take-back.org
- www.recycling.de



France:

- www.ecosysteme.fr
- www.recyclez-mes-dechets.fr



Please dispose of the packaging material in an environmentally friendly manner so that it can be recycled.

Hamilton Beach UK – We're Here to Help!

Thank you for choosing Hamilton Beach. For assistance or support, please contact our dedicated customer service team.

Contact Information:

Phone: 01274 752624 (Mon–Fri, 8:30 AM – 4:30 PM GMT; closed on weekends & UK bank holidays).

Email: customerservice@hamiltonbeach.co.uk

Address:

Hamilton Beach UK
Customer Service Department
Belfry House, Roydsdale Way
Bradford, BD4 6SU, UK

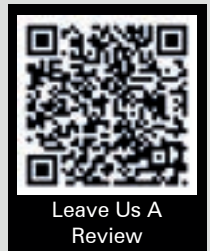
Website:

Visit www.hamiltonbeach.co.uk for product registration, FAQs, and troubleshooting.

Happy with your new product?

We Value Your Feedback!

Scan the QR code to share your experience, or visit:
www.uk.trustpilot.com/review/hamiltonbeach.co.uk



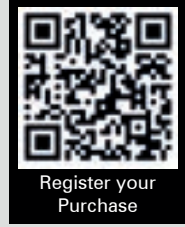
GUARANTEE & SERVICE

Register your purchase*:

Thank you for choosing Hamilton Beach.

Register your appliance to activate the 2-year warranty.

Scan QR code using mobile device



Or visit: www.hamiltonbeach.co.uk/pages/register-my-warranty

*To make a warranty claim, do not return the appliance to the store.

Warranty Terms:

- This product includes a 2-year warranty. Please read and retain the guarantee information for future reference.
- Registration is required within 30 days of purchase to maintain warranty validity. Late registrations will void the warranty.
- The warranty applies only to products purchased and used in the UK, guaranteeing freedom from material and workmanship defects.

Coverage and Exclusions:

- Covers repair or replacement of defective components. Customers are responsible for return shipping costs. If unavailable, a replacement of equal or greater value will be provided.
- Exclusions: glass, filters, normal wear, improper use, accidents, alterations, abuse, misuse, and non-household use.
- Proof of purchase is required.
- Warranty becomes void if used outside specified voltage or waveform requirements.

This warranty is limited to the original purchase price and excludes claims for incidental or consequential damages. Any implied warranties are disclaimed except as required by law and limited to the 2-year period.

HB70T20B
HB70T20S
HB70T20W



20L Manuelle Mikrowelle

Nur für den Hausgebrauch

| hamiltonbeachproducts.de

DANKE

Warum sollten Sie Ihre Garantie registrieren?:

Vielen Dank, dass Sie sich für Hamilton Beach entschieden haben.

Registrieren Sie Ihr Gerät, um die 2-jährige Garantie zu aktivieren.



QR-Code mit einem Mobilgerät scannen

Oder besuchen Sie: www.hamiltonbeachproducts.de

Warum Ihre Garantie registrieren?

- Bleiben Sie auf dem neuesten Stand: Erhalten Sie wichtige Informationen zu Ihrem Produkt.
- Schnelle Unterstützung: Falls Sie uns in Zukunft kontaktieren müssen, können wir Ihnen schneller helfen.
- Erhalten Sie Produktneugigkeiten, Angebote und Gewinnspiele.

So registrieren Sie Ihre Garantie:

Um die Produktgarantie zu registrieren, sammeln Sie bitte die folgenden Informationen und scannen Sie den obenstehenden QR-Code:

- Modellnummer Ihres Geräts.
- Angaben zu Ihrem Kaufort.
- Ihre Kontaktdaten.

Um Ihre Garantie zu aktivieren, registrieren Sie Ihr Produkt bitte innerhalb von 30 Tagen nach dem Kauf.

Registrierungen, die nach dieser 30-tägigen Frist eingehen, werden als ungültig betrachtet.

Wichtig: Garantieanmeldungen werden nur für Produkte akzeptiert, die im Vereinigten Königreich gekauft wurden.

Für weitere Informationen besuchen Sie: www.hamiltonbeachproducts.de

Garantie Registrierung	01
Spezifikationen	02
Wichtige Sicherheitsvorkehrungen	03
Produktübersicht	05
Bedienfeld	06
Verwendung Ihres Geräts	07
Utensilienführer	08
Kochtipps	08
Reinigung & Pflege	11
Entsorgung des Geräts	12
Kundendienst	13
Garantie & Service	14

SPEZIFIKATIONEN**Gelieferte Artikel:**

- 1x Mikrowellengerät
- 1x Rollring
- 1x Glasscheibe
- 1x Bedienungsanleitung

Überprüfen Sie auf Schäden und entfernen Sie vor der Verwendung alle Verpackungen.



Achtung: Entfernen Sie nicht das Typenschild oder jegliche Warnhinweise an der Unterseite oder der Rückseite des Geräts.

Stromverbrauch:	230V~ ,50Hz, 1100W (Mikrowelle)
Leistung:	700W
Frequenz:	2450MHz
Kapazität:	20 Litres
Nettogewicht (kg):	Ca. 9.4 kg
Produktabmessungen (cm):	24.3 (H) x 44.6 (W) x 34.2 (L)
Garraummaße (cm):	20.2 (H) x 30.1 (W) x 31.1 (L)
Kabellänge (cm):	Ca. 80cm (Ohne Stecker)

WICHTIGE SICHERHEITSVORKEHRUNGEN



Achtung: Vor der Verwendung lesen Sie bitte alle Anweisungen sorgfältig durch und bewahren Sie diese für die zukünftige Verwendung auf. Befolgen Sie immer die grundlegenden Sicherheitsvorkehrungen bei der Verwendung elektrischer Geräte, einschließlich der folgenden Richtlinien:



Warnung!: Beachten Sie alle Sicherheits hinweise, Anweisungen, Abbildungen und technischen Daten, die mit diesem Gerät geliefert werden. Die Nichteinhaltung der Sicherheits hinweise kann zu Stromschlägen, Bränden und/oder Verletzungen führen.

Bestimmungsgemäße Verwendung:

- Dieses Gerät ist ausschließlich für den Hausgebrauch bestimmt und nicht für kommerzielle Zwecke geeignet.
- Das Gerät darf nur drinnen verwendet werden und ist nicht für den Außeneinsatz vorgesehen.

Sicherheits Hinweise:

- Dieses Gerät kann von Kindern ab 8 Jahren und Personen mit eingeschränkten Fähigkeiten verwendet werden, wenn sie über sichere Nutzung und Risiken informiert sind.
- Kinder sollten nicht mit dem Gerät spielen.
- Reinigung und Wartung sollten nur von Kindern über 8 Jahren unter Aufsicht erfolgen.
- Vor der Benutzung stets die Anleitung lesen und aufbewahren.
- Bei beschädigter Tür oder Dichtungen den Kundenservice oder einen Fachmann kontaktieren.
- Nur Fachpersonal sollte Reparaturen an Mikrowellen-Schutzabdeckungen vornehmen.
- Keine Flüssigkeiten oder versiegelte Behälter erhitzen, da sie explodieren können.
- Verwenden Sie mikrowellengeeignete Utensilien, vermeiden Sie Metallbehälter.

WICHTIGE SICHERHEITSVORKEHRUNGEN

- Überwachen Sie die Mikrowelle, wenn Sie Plastik- oder Papierbehälter erhitzen, um Brandgefahr zu vermeiden.
- Die Mikrowelle ist zum Erhitzen von Lebensmitteln und Getränken bestimmt, nicht zum Trocknen von Kleidung oder Erhitzen von Nicht-Lebensmitteln.



Vorsicht!: Heiße Oberflächen!

- Achten Sie darauf, den Drehteller nicht zu verschieben, wenn Sie Behälter entfernen.
- Lassen Sie die Glasplatte 20 Minuten abkühlen, bevor Sie sie ins Wasser stellen, um ein Zerspringen zu vermeiden.



Gefahr!: Gefahr eines Stromschlags!

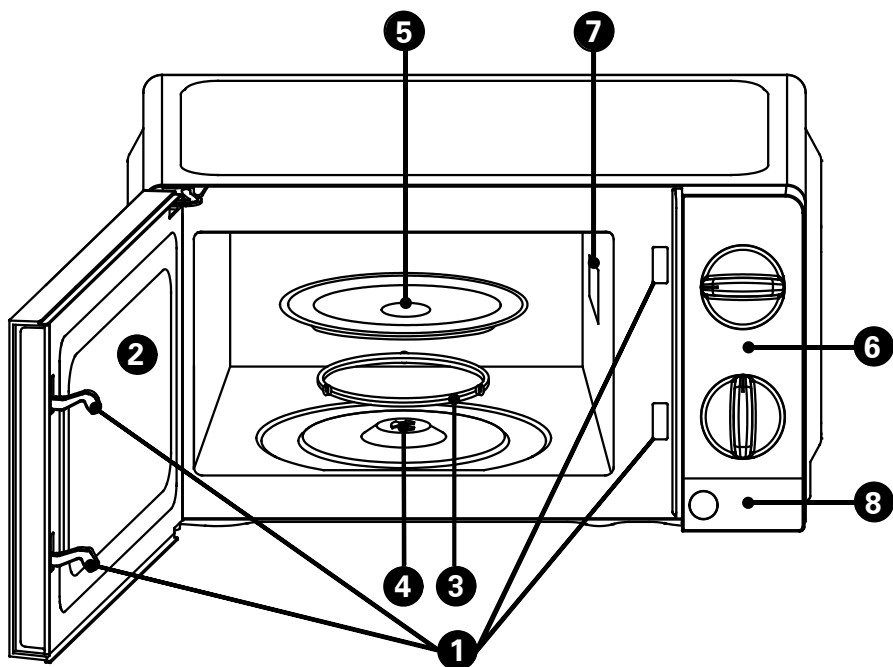
- Stellen Sie sicher, dass die Spannung des Geräts mit der Ihres Haushalts übereinstimmt; verwenden Sie es nicht bei einer Fehlanpassung.
- Halten Sie das Kabel von Kanten, heißen Oberflächen und Flüssigkeiten fern.
- Ersetzen Sie ein beschädigtes Kabel mit professioneller Hilfe.
- Schließen Sie das Gerät an eine ordnungsgemäß geerdete Steckdose an.
- Bei Rauchentwicklung schalten Sie das Gerät aus, ziehen Sie den Stecker und halten Sie die Tür geschlossen.
- Verwenden Sie keinen Dampfreiniger zur Reinigung.



Warnung!: Brandgefahr!

- Halten Sie den Ofen sauber, um eine Verschlechterung und potenzielle Gefahren zu verhindern.
- Stellen Sie das Gerät nicht in einem Schrank auf.
- Installieren Sie das Gerät unter 90 cm über dem Boden, wobei mindestens 20 cm freier Platz oben gelassen werden müssen.

PRODUKTÜBERSICHT



- | | |
|--------------------------|--------------------------------|
| 1 Türverriegelung | 5 Drehteller |
| 2 Sichtfenster | 6 Bedienfeld |
| 3 Drehender Ring | 7 Wellenleiterabdeckung |
| 4 Drehachse | 8 Türöffnungstaste |

Stromverbrauch:	230V~ ,50Hz, 1100W (Mikrowelle)
Leistung:	700W
Frequenz:	2450MHz
Kapazität:	20 Litres
Nettogewicht (kg):	Ca. 9.4 kg
Produktabmessungen (cm):	24.3 (H) x 44.6 (W) x 34.2 (L)
Garraummaße (cm):	20.2 (H) x 30.1 (W) x 31.1 (L)
Kabellänge (cm):	Ca. 80cm (Ohne Stecker)

Steuerfeldfunktionen:

Das Steuerfeld verfügt über zwei Hauptsteuerungen: ein Timer-Drehrad und ein Leistungs-Drehrad.

Leistungs-Drehrad:

- Mit diesem Drehrad können Sie die gewünschte Kochleistung einstellen.

Timer-Drehrad:

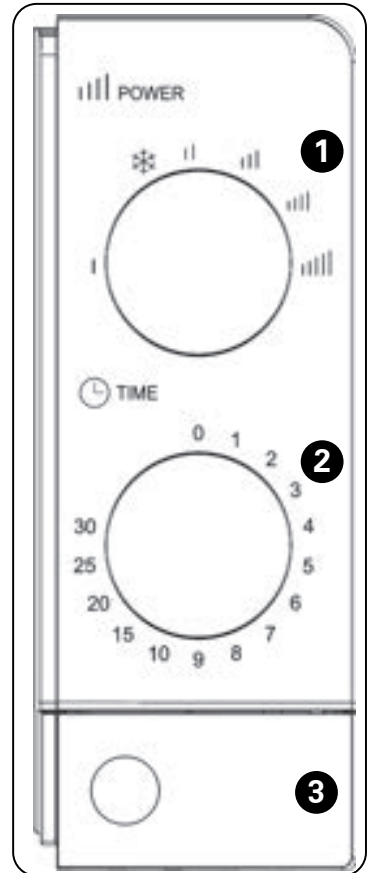
- Dieses Drehrad ermöglicht es Ihnen, die Kochdauer auf bis zu 30 Minuten pro Sitzung einzustellen – einfach mit einer Drehung des Daumens.

Mikrowellenbetrieb:

- Es stehen sechs verschiedene Leistungsstufen für das Mikrowellenkochen zur Verfügung, sodass Sie die am besten geeignete Einstellung für Ihre Bedürfnisse wählen können.

Leistung:

- Durch Drehen des Leistungs-Drehrads im Uhrzeigersinn erhöht sich die Leistungsstufe. Die Leistungsstufen sind wie folgt kategorisiert:



Leistungsausgang:	Beschreibung
Niedrig	20 %
Abtauen	42 %
Mittel-Niedrig	52 %
Mittel	73 %
Mittel-Hoch	88 %
Hoch	100 %

VERWENDUNG IHRES GERÄTS

Bevor Sie das Gerät das erste Mal verwenden:

- Entfernen Sie alle Verpackungen und Schutzfolien; prüfen Sie auf Schäden und kontaktieren Sie bei Bedarf den Händler oder das Servicezentrum.
- Stellen Sie die Mikrowelle in einem trockenen, nicht korrosiven Bereich auf, fern von Wärme- und Feuchtigkeitsquellen.
- Sorgen Sie für eine ausreichende Belüftung mit mindestens 10 cm Abstand hinten, 5 cm an den Seiten und 20 cm oben; positionieren Sie das Gerät 90 cm über dem Boden.
- Halten Sie einen Abstand von 5 m zu Fernsehern, Radios oder Antennen, um Interferenzen zu vermeiden.
- Stellen Sie sicher, dass der Stecker zugänglich ist und das Gerät ordnungsgemäß geerdet ist.
- Betreiben Sie das Gerät immer mit geschlossener Tür.
- Stellen Sie es nicht in einem Schrank auf; es ist nur für den freistehenden Gebrauch vorgesehen.
- Wenn ein Geruch oder Rauch auftritt, mikrowellieren Sie eine Tasse Wasser bei hoher Leistung mehrere Zyklen mit geöffneter Tür zur Belüftung.

Betriebsanleitung:

Starten einer Kochsession::

- Legen Sie das Essen in den Ofen und schließen Sie die Tür sicher.
- Drehen Sie den Leistungsauswahlschalter, um die gewünschte Leistungsstufe auszuwählen.
- Verwenden Sie den Timer-Regler, um die passende Kochzeit einzustellen.



Hinweis:

- Der Ofen startet beim Drehen des Timers.
- Bei Zeiten unter 2 Minuten drehen Sie den Timer kurz über 2 Minuten und stellen ihn dann zurück.
- Zum Stoppen während des Kochens drücken Sie die Türfreigabetaste.



Vorsicht!: Stellen Sie den Timer immer auf Null, wenn Sie das Essen vor Ablauf der eingestellten Zeit entnehmen oder wenn die Mikrowelle nicht in Gebrauch ist.

UTENSILIEN-LEITFADEN

Verwenden Sie mikrowellengeeignete Behälter aus hitzebeständigem Keramik, Glas oder Kunststoff. Vermeiden Sie Metallbehälter, da diese Funken verursachen können. Überprüfen Sie immer, ob die Behälter für die Mikrowelle geeignet sind, um die Sicherheit zu gewährleisten.

Behältermaterial	Mikrowellengeeignet	Hinweise
Hitzebeständiges Keramik	Ja	Verwenden Sie niemals Keramik mit einem Metallrand oder glasierten Dekorationen.
Hitzebeständiger Kunststoff	Ja	Nicht geeignet für längeres Mikrowellenkochen.
Hitzebeständiges Glas	Ja	Geeignet für Mikrowellenkochen.
Grillrost	Nein	Verwenden Sie niemals Metall beim Mikrowellenkochen.
Kunststoffolie	Nein	Verwenden Sie keine Kunststoffolie in der Mikrowelle, da sie schmelzen, schädliche Chemikalien freisetzen und das Essen kontaminieren kann.

KOCHTIPPS

Lebensmittelanordnung:

- Legen Sie dickere Teile des Essens an den äußeren Rand des Geschirr und dünnere Teile in die Mitte, um eine gleichmäßige Wärmeverteilung zu gewährleisten.
- Verteilen Sie das Essen gleichmäßig und vermeiden Sie das Stapeln von Speisen, um ungleichmäßiges Kochen zu verhindern.

KOCHTIPPS

Kochzeit:

- Beginnen Sie mit einer kürzeren Kochzeit und überprüfen Sie das Essen, wenn der Timer endet.
- Wenn mehr Zeit benötigt wird, fügen Sie sie in kurzen Intervallen hinzu, um ein Überkochen zu vermeiden.
- Überkochen kann zu Rauch, Verbrennungen oder einer Veränderung der Textur des Essens führen.

Sicherstellen einer gleichmäßigen Erwärmung:

- Wenden Sie Fleisch während des Kochens einmal, um eine gleichmäßige Erwärmung zu gewährleisten.
- Rühren Sie das Essen ein- oder zweimal, besonders bei größeren Portionen, und bewegen Sie die äußeren Ränder in die Mitte.
- Decken Sie die Gerichte mit mikrowellengeeigneten Deckeln oder belüftetem Plastikfolie ab, um Feuchtigkeit zu erhalten.

Ruhezeit:

- Lassen Sie das Essen nach dem Kochen einige Minuten ruhen, um den Kochprozess abzuschließen und eine gleichmäßige Wärmeverteilung zu ermöglichen.
- Die Ruhezeit hilft auch, Verbrennungen durch Dampf zu vermeiden und lässt sich die Temperatur stabilisieren.

Überprüfen, ob das Essen fertig ist:

- Stellen Sie sicher, dass aus allen Teilen des Gerichts Dampf aufsteigt, nicht nur an den Rändern.
- Geflügelgelenke sollten sich leicht bewegen lassen, und es dürfen keine Blutspuren sichtbar sein.
- Fisch sollte undurchsichtig erscheinen und sich leicht mit einer Gabel zerteilen lassen.

Verwendung von Bräunungsgerichten:

- Stellen Sie immer ein hitzebeständiges Isoliermaterial, wie einen mikrowellengeeigneten Porzellanteller, unter Bräunungsgerichte, um den Drehteller der Mikrowelle zu schützen.

Mikrowellengeeignete Plastikfolie:

- Verwenden Sie nur Plastikfolie, die für den Einsatz in der Mikrowelle geeignet ist.
- Verhindern Sie, dass die Plastikfolie mit fettigen Lebensmitteln in Kontakt kommt, da die Hitze des Fetts das Schmelzen verursachen und schädliche Chemikalien freisetzen kann.

Mikrowellengeeignetes Plastikgeschirr:

- Stellen Sie sicher, dass das Plastikgeschirr eindeutig als mikrowellengeeignet gekennzeichnet ist.
- Vermeiden Sie die Verwendung von Plastikbehältern für längere Kochzeiten oder bei fettreichen oder zuckerhaltigen Lebensmitteln, da diese verformen oder Chemikalien freisetzen können.

Trennen Sie das Gerät immer vom Stromnetz und lassen Sie es vollständig abkühlen, bevor Sie es reinigen.



Achtung! Tauchen Sie das Kabel, die Steckdosen oder das Gerät nicht in Wasser oder andere Flüssigkeiten, um Brandgefahr, Stromschlag oder Verletzungen zu vermeiden.



Achtung! Vermeiden Sie chemische, stählerne, holzartige oder abrasive Reinigungsmittel, um die Oberfläche der Mikrowelle zu erhalten.

- Schalten Sie den Ofen aus und ziehen Sie den Stecker, bevor Sie mit der Reinigung beginnen.
- Reinigen Sie das Innere mit einem feuchten Tuch und verwenden Sie bei Bedarf ein mildes Reinigungsmittel.
- Wischen Sie das Äußere ab und vermeiden Sie Wasser in den Belüftungsöffnungen.
- Reinigen Sie regelmäßig die Tür, Dichtungen und das Fenster mit einem feuchten Tuch.
- Vermeiden Sie abrasive Reinigungsmittel und Dampfreiniger.
- Reinigen Sie das Bedienfeld mit einem weichen, feuchten Tuch, während die Tür offen bleibt.
- Reinigen Sie regelmäßig das Glastablett, den Rollerring und den Boden des Ofens.
- Um Gerüche zu entfernen, mikrowellieren Sie Wasser mit Zitronensaft.
- Konsultieren Sie einen Fachmann für den Austausch von Leuchten.
- Recyceln Sie das Gerät ordnungsgemäß, wenn es entsorgt wird.

Entsorgung und Recycling-Informationen:



Korrektere Entsorgung dieses Produkts:

Dieses Gerät unterliegt der Europäischen Richtlinie 2012/19/EU über Elektro- und Elektronikaltgeräte (WEEE). Entsorgen Sie dieses Gerät nicht über den normalen Haushaltsmüll, sondern auf umweltfreundliche Weise über ein offiziell zugelassenes Entsorgungsunternehmen.

Entsorgung von Geräten mit dem Symbol

- Gegenstände, die mit diesem Symbol gekennzeichnet sind, dürfen nicht mit dem normalen Haushaltsmüll entsorgt werden.
- Stellen Sie sicher, dass diese Geräte separat entsorgt werden.

WEEE-Richtlinie

- Die WEEE-Richtlinie, die seit August 2006 in Kraft ist, erfordert das Recycling aller Elektrogeräte.
- Am Ende der Lebensdauer des Geräts bringen Sie es bitte zu einer lokalen Sammelstelle für eine ordnungsgemäße Entsorgung.
- Für weitere Informationen zum Recycling in Ihrem Land besuchen Sie bitte die folgenden Websites:

United Kingdom:

- www.recycle-more.co.uk
- www.recyclenow.co.uk

Ireland:

- www.weeeireland.ie

Germany:

- www.take-back.org
- www.recycling.de

France:

- www.ecosysteme.fr
- www.recyclez-mes-dechets.fr



Bitte entsorgen Sie das Verpackungsmaterial auf eine umweltfreundliche Weise, damit es recycelt werden kann.

KUNDENDIENST

Hamilton Beach DE – Wir sind für Sie da!

Vielen Dank, dass Sie sich für Hamilton Beach entschieden haben. Für Unterstützung oder Hilfe wenden Sie sich bitte an unser engagiertes Kundenserviceteam.

Kontaktinformation:

Telefon: 01274 752624 (Mo–Fr, 8:30 – 16:30 GMT; geschlossen an Wochenenden und britischen Feiertagen).

E-Mail: customerservice@hamiltonbeach.co.uk

Website: Besuchen Sie www.hamiltonbeachproducts.de für Produktregistrierung, häufig gestellte Fragen und Fehlerbehebung.

Registrieren Sie Ihren Kauf*:

Danke, dass Sie sich für Hamilton Beach entschieden haben. Registrieren Sie Ihr Gerät für die 2-Jahres-Garantie.



QR-Code mit einem Mobilgerät scannen

Oder besuchen Sie: www.hamiltonbeachproducts.de

Garantiebedingungen:

- Dieses Produkt umfasst eine 2-Jahres-Garantie.
- Bitte lesen Sie die Garantiebestimmungen und bewahren Sie diese für künftige Referenz auf.
- Die Registrierung ist innerhalb von 30 Tagen nach dem Kauf erforderlich, um die Gültigkeit der Garantie aufrechtzuerhalten.
- Späte Registrierungen führen zum Verlust der Garantie.
- Die Garantie gilt nur für Produkte, die im Vereinigten Königreich gekauft und verwendet werden.
- Garantiert die Freiheit von Material- und Verarbeitungsfehlern.

Abdeckung und Ausnahmen:

- Deckt die Reparatur oder den Austausch defekter Komponenten ab; Kunden sind für die Rücksendekosten verantwortlich. Falls nicht verfügbar, wird ein Ersatz von gleichem oder höherem Wert bereitgestellt.
- Ausnahmen: Glas, Filter, normale Abnutzung, unsachgemäße Verwendung, Unfälle, Änderungen, Missbrauch, unsachgemäße Handhabung und nicht haushaltsübliche Nutzung.
- Kaufnachweis ist erforderlich.
- Die Garantie erlischt, wenn das Gerät außerhalb der angegebenen Spannung oder Wellenformvorgaben verwendet wird.

Diese Garantie ist auf den ursprünglichen Kaufpreis beschränkt und schließt Ansprüche auf Folgeschäden oder indirekte Schäden aus. Alle stillschweigenden Garantien werden abgelehnt, außer wenn gesetzlich erforderlich, und sind auf den Zeitraum von 2 Jahren begrenzt.

HB70T20B
HB70T20S
HB70T20W



Micro-ondes manuel de 20L

Pour un usage domestique uniquement

| hamiltonbeach.fr

MERCI

Enregistrez votre achat:

Merci d'avoir choisi Hamilton Beach.
Enregistrez votre appareil pour activer la garantie de 2 ans.



Enregistrez
votre achat

Scannez le code QR à l'aide de votre appareil mobile.

Ou visitez: www.hamiltonbeach.fr

Pourquoi enregistrer votre garantie?

- Restez informé : Recevez des informations importantes sur votre produit.
- Assistance rapide : En cas de besoin, nous pourrions vous aider plus rapidement.
- Recevez des nouvelles produits, offres et concours.

Comment enregistrer votre garantie:

Pour enregistrer la garantie de votre produit, veuillez rassembler les informations suivantes et scanner le code QR ci-dessus :

- Le numéro de modèle de votre appareil.
- Les détails de votre lieu d'achat.
- Vos coordonnées.

Pour activer votre garantie, veuillez vous assurer qu'elle soit enregistrée dans les 30 jours suivant votre achat. Les enregistrements reçus après cette période de 30 jours seront considérés comme invalides.

Important : Les enregistrements de garantie ne sont acceptés que pour les produits achetés au Royaume-Uni.

**Pour plus de détails, visitez:
www.hamiltonbeach.fr**

Enregistrement de garantie	01
Spécifications	02
Mesures de sécurité importantes	03
Présentation du produit	06
Panneau de contrôle	07
Utilisation de votre appareil	08
Guide des ustensiles	09
Conseils de cuisson	10
Nettoyage et entretien	12
Élimination de l'appareil	13
Service client	14
Garantie et service	15

SPÉCIFICATIONS**Articles fournis:**

- 1x Unité de micro-ondes
- 1x Anneau de rouleau
- 1x Plateau tournant en verre
- 1x Manuel

Vérifiez s'il y a des dommages et retirez tous les emballages avant d'utiliser l'appareil.



Attention: Ne retirez pas la plaque signalétique ni les avertissements sur le dessous ou l'arrière de l'appareil.

Consommation d'énergie:	230V~ ,50Hz, 1100W (Micro-ondes)
Puissance de sortie:	700W
Fréquence:	2450MHz
Capacité:	20 Litres
Poids net (kg):	Env. 9.4 kg
Dimensions du produit (cm):	24.3 (H) x 44.6 (W) x 34.2 (L)
Dimensions de la cavité (cm):	20.2 (H) x 30.1 (W) x 31.1 (L)
Longueur du câble (cm):	Env. 80cm (excluding plug)

IMESURES DE SÉCURITÉ IMPORTANTES



Attention: Avant d'utiliser l'appareil, lisez attentivement toutes les instructions et conservez-les pour une utilisation future. Suivez toujours les précautions de sécurité de base lors de l'utilisation d'appareils électriques, y compris les directives ci-dessous :



Avertissement! Notez toutes les consignes de sécurité, instructions, illustrations et données techniques fournies avec cet appareil. Le non-respect des consignes de sécurité peut entraîner des chocs électriques, des incendies et/ou des blessures.

Utilisation prévue:

- Cet appareil est conçu uniquement pour un usage domestique et n'est pas adapté à un usage commercial. L'appareil doit être utilisé uniquement à l'intérieur et n'est pas destiné à un usage extérieur.

Avis de sécurité:

- Cet appareil peut être utilisé par des enfants de 8 ans et plus ainsi que par des personnes ayant des capacités réduites si elles sont formées à son utilisation sécuritaire et conscientes des risques.
- Les enfants ne doivent pas jouer avec l'appareil.
- Le nettoyage et l'entretien doivent être effectués uniquement par des enfants de plus de 8 ans sous surveillance.
- Lisez toujours les instructions avant utilisation et conservez-les pour référence.
- Ne l'utilisez pas si la porte ou les joints sont endommagés ; contactez un professionnel ou le service client de Hamilton Beach.
- Seules les personnes formées doivent effectuer des réparations impliquant les couvertures de protection du micro-ondes.
- Ne chauffez pas de liquides ou de contenants hermétiques, car ils peuvent exploser.
- Utilisez des ustensiles compatibles avec la micro-onde ; évitez les contenants métalliques.

MESURES DE SÉCURITÉ IMPORTANTES

- Surveillez le four lors du chauffage d'aliments dans des contenants en plastique ou en papier pour éviter l'ignition.
- Le micro-ondes est destiné à chauffer les aliments et les boissons, pas pour sécher des vêtements ou chauffer des objets non alimentaires.



Avertissement!: Surfaces chaudes!

- Prenez soin de ne pas déplacer le plateau tournant lors du retrait des contenants.
- Laissez le plateau en verre refroidir pendant 20 minutes avant de le plonger dans l'eau pour éviter qu'il ne se fissure.



Danger!: Risque de choc électrique!

- Assurez-vous que la tension de l'appareil correspond à celle de votre domicile ; ne l'utilisez pas si elles sont incompatibles.
- Éloignez le cordon des bords, des surfaces chaudes et des liquides.
- Remplacez un cordon endommagé avec l'aide d'un professionnel.
- Connectez-le à une prise correctement mise à la terre.
- En cas de fumée, éteignez l'appareil, débranchez-le et gardez la porte fermée.
- Ne nettoyez pas avec un nettoyeur à vapeur.



Avertissement!: Risque d'incendie!

- Gardez le four propre pour éviter toute détérioration et les risques potentiels.
- Ne placez pas l'appareil dans un placard.
- Installez l'appareil à moins de 90 cm au-dessus du sol, en laissant un minimum de 20 cm d'espace libre au-dessus.



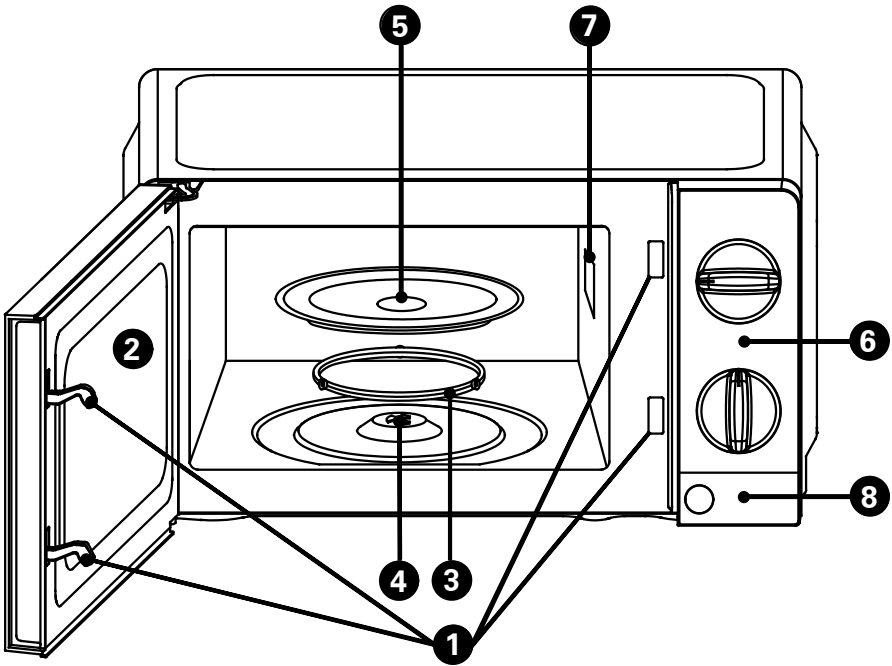
Avertissement!: Danger de blessure!

IMESURES DE SÉCURITÉ IMPORTANTES

- Remuez ou secouez le contenu des biberons et des bocaux alimentaires, en vérifiant la température avant de consommer.
- Évitez de chauffer des œufs dans leur coquille, car ils peuvent exploser.

Informations techniques:

- Appareil de classe B du groupe 2: Convient à un usage domestique et aux réseaux d'alimentation à faible tension.



- 1** Verrou de porte
- 2** Fenêtre de visualisation
- 3** Anneau rotatif
- 4** Axe rotatif
- 5** Plateau tournant
- 6** Panneau de contrôle
- 7** Couverture du guide d'ondes
- 8** Bouton de déverrouillage de la porte

Consommation d'énergie:	230V~ ,50Hz, 1200W (Micro-ondes)
Puissance de sortie:	700W
Fréquence:	2450MHz
Capacité:	20 Litres
Poids net (kg):	Env. 10.5 kg
Dimensions du produit (cm):	26.2 (H) x 45.2 (W) x 35.2 (L)
Dimensions de la cavité (cm):	17.8 (H) x 31.5 (W) x 29.6 (L)
Longueur du câble (cm):	Env. 80cm (excluding plug)

PANNEAU DE CONTRÔLE

Fonctions du panneau de commande:

Le panneau de commande dispose de deux commandes principales: un bouton de minuterie et un bouton de puissance.

Bouton de puissance:

- Avec ce bouton, vous pouvez régler la puissance de cuisson souhaitée.

Bouton de minuterie:

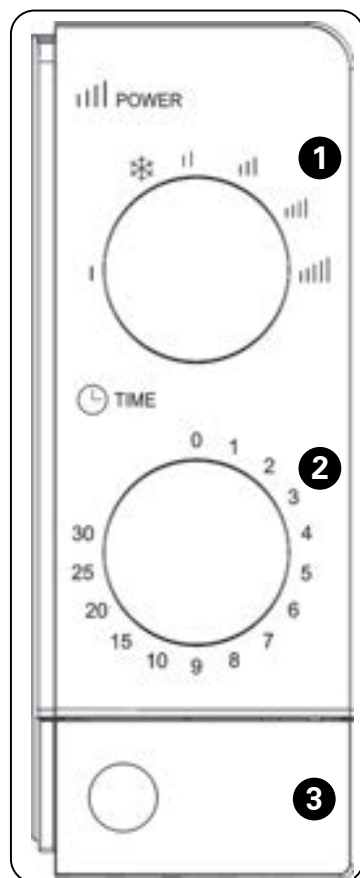
- Ce bouton vous permet de régler la durée de cuisson jusqu'à 30 minutes par session – il vous suffit de tourner légèrement le bouton.

Fonctionnement du micro-ondes:

- Il y a six niveaux de puissance différents disponibles pour la cuisson au micro-ondes, vous permettant de choisir le réglage le mieux adapté à vos besoins.

Puissance:

- En tournant le bouton de puissance dans le sens des aiguilles d'une montre, le niveau de puissance augmente. Les niveaux de puissance sont classés comme suit:



Sortie de puissance:	Description
Faible	20 %
Décongélation	42 %
Moyenne faible	52 %
Moyenne	73 %
Moyenne haute	88 %
Haute	100 %

Avant d'utiliser votre grille-pain pour la première fois, assurez-vous de:

- Retirez tout l'emballage et le film de protection ; inspectez l'appareil pour détecter d'éventuels dommages et contactez le détaillant ou le centre de service si nécessaire.
- Placez le micro-ondes dans un endroit sec et non corrosif, à l'écart des sources de chaleur et d'humidité.
- Assurez-vous d'une ventilation adéquate avec au moins 10 cm à l'arrière, 5 cm sur les côtés et 20 cm au-dessus ; positionnez-le à 90 cm du sol.
- Éloignez-le de 5 m des téléviseurs, radios ou antennes pour éviter les interférences.
- Assurez-vous que la prise est accessible et que l'appareil est correctement mis à la terre.
- Utilisez toujours l'appareil avec la porte fermée.
- Ne le placez pas dans un placard ; il est uniquement destiné à une utilisation en position libre.
- Si une odeur ou de la fumée se dégage, faites chauffer une tasse d'eau à puissance maximale pendant plusieurs cycles avec la porte ouverte pour permettre la ventilation.

Instructions d'utilisation:

Démarrer une session de cuisson:

- Placez les aliments dans le four et fermez la porte de manière sécurisée.
- Tournez le bouton de sélection de puissance pour choisir le niveau de puissance désiré.
- Utilisez le bouton du minuteur pour régler le temps de cuisson approprié.



Attention! Ramenez toujours le minuteur à la position zéro lorsque vous retirez les aliments avant la fin du temps réglé ou lorsque le micro-ondes n'est pas utilisé.

UTILISATION DE VOTRE APPAREIL



Remarque:

- Le four commence à cuire dès que le minuteur est tourné.
- Pour des durées inférieures à 2 minutes, tournez le minuteur au-delà de la marque des 2 minutes, puis revenez à la durée souhaitée.
- Pour arrêter le micro-ondes pendant la cuisson, appuyez sur le bouton de déverrouillage de la porte.

GUIDE DES USTENSILES

Utilisez des contenants compatibles avec le micro-ondes en céramique résistante à la chaleur, en verre ou en plastique. Évitez les contenants métalliques, car ils peuvent provoquer des étincelles. Vérifiez toujours que les contenants sont adaptés à une utilisation au micro-ondes pour garantir la sécurité.

Matériau du contenant	Micro-ondable?	Remarques
Céramique résistante à la chaleur	Oui	Ne jamais utiliser de céramiques avec un bord métallique ou une décoration émaillée.
Plastique résistant à la chaleur	Oui	Non adapté à une cuisson prolongée au micro-ondes.
Verre résistant à la chaleur	Oui	Adapté à la cuisson au micro-ondes.
Grille	Non	Ne jamais utiliser de métal lors de la cuisson au micro-ondes.
Film plastique	Non	Ne pas utiliser de film plastique au micro-ondes, car il peut fondre, libérer des produits chimiques nocifs et contaminer les aliments.

Disposition des aliments:

- Placez les sections les plus épaisses des aliments vers les bords extérieurs du plat et les parties plus fines au centre pour assurer une distribution uniforme de la chaleur.
- Étalez les aliments uniformément et évitez de superposer les articles pour éviter une cuisson inégale.

Temps de cuisson:

- Commencez par une durée de cuisson plus courte et vérifiez les aliments lorsque le minuteur est terminé.
- Si plus de temps est nécessaire, ajoutez-le par petites étapes pour éviter de trop cuire.
- Une cuisson excessive peut entraîner de la fumée, des brûlures ou endommager la texture des aliments.

Assurer une cuisson uniforme:

- Retournez les viandes une fois pendant la cuisson pour vous assurer qu'elles chauffent uniformément.
- Remuer les aliments une ou deux fois, surtout pour les grandes portions, en déplaçant les bords extérieurs vers le centre.
- Couvrez les plats avec des couvercles adaptés au micro-ondes ou du film plastique perforé pour retenir l'humidité.

Temps de repos:

Laissez les aliments reposer pendant quelques minutes après la cuisson pour terminer le processus de cuisson et permettre une distribution uniforme de la chaleur.

Le temps de repos aide également à prévenir les brûlures dues à la vapeur et permet à la température de se stabiliser.

CONSEILS DE CUISSON

Vérifier si les aliments sont cuits:

- Assurez-vous que de la vapeur s'élève de toutes les parties du plat, pas seulement des bords.
- Les articulations de la volaille doivent bouger facilement, et il ne doit y avoir aucune trace de sang.
- Le poisson doit être opaque et se défaire facilement à la fourchette.

Utilisation des plats à brunir:

- Placez toujours un isolant résistant à la chaleur, comme une assiette en porcelaine adaptée au micro-ondes, sous les plats à brunir pour protéger le plateau tournant du micro-ondes.

Film plastique adapté au micro-ondes:

- Utilisez uniquement du film plastique conçu pour une utilisation au micro-ondes.
- Évitez que le film plastique entre en contact avec des aliments riches en graisses, car la chaleur des graisses peut provoquer la fusion du film et libérer des produits chimiques nocifs.

Ustensiles en plastique adaptés au micro-ondes:

- Assurez-vous que les ustensiles en plastique sont clairement étiquetés comme adaptés au micro-ondes.
- Évitez d'utiliser des contenants en plastique pour des périodes de cuisson prolongées ou avec des aliments riches en graisses ou en sucre, car ils peuvent se déformer ou libérer des produits chimiques.

Débranchez toujours l'appareil de la prise de courant et laissez-le refroidir complètement avant de le nettoyer.



Attention!: Ne plongez pas le cordon, les prises électriques ou l'appareil dans l'eau ou tout autre liquide pour éviter les risques d'incendie, de choc électrique ou de blessures.



Attention!: Évitez les produits chimiques, les nettoyeurs en acier, en bois ou abrasifs pour préserver la finition du micro-ondes.

- Éteignez et débranchez le four avant de le nettoyer.
- Nettoyez l'intérieur avec un chiffon humide, en utilisant un détergent doux si nécessaire.
- Essuyez l'extérieur en évitant l'eau dans les ouvertures de ventilation.
- Nettoyez régulièrement la porte, les joints et la vitre avec un chiffon humide.
- Évitez les nettoyeurs abrasifs et les nettoyeurs à vapeur.
- Nettoyez le panneau de commande avec un chiffon doux et humide tout en maintenant la porte ouverte.
- Nettoyez régulièrement le plateau en verre, l'anneau rotatif et le sol du four.
- Pour éliminer les odeurs, faites chauffer de l'eau avec du jus de citron.
- Consultez un professionnel pour le remplacement des ampoules.
- Recyclez l'appareil correctement lorsqu'il est mis au rebut.

MISE AU REBUT DE L'APPAREIL

Informations sur l'élimination et le recyclage:



Élimination correcte de ce produit:

Cet appareil est régi par la directive européenne 2012/19/UE sur les déchets d'équipements électriques et électroniques (WEEE). Ne jetez pas cet appareil avec les déchets ménagers, mais éliminez-le de manière écologique via une entreprise de gestion des déchets agréée.

Élimination des articles avec le symbole:

- Les articles marqués de ce symbole ne doivent pas être jetés avec les déchets ménagers.
- Veuillez vous assurer que ces articles sont éliminés séparément.

Directive WEEE (Waste Electrical and Electronic Equipment):

- La directive WEEE, en vigueur depuis août 2006, exige le recyclage de tous les appareils électriques.
- À la fin de la durée de vie de l'appareil, veuillez le déposer dans un centre de recyclage local pour un recyclage approprié.
- Pour obtenir des informations sur le recyclage des appareils électriques en France, visitez:

United Kingdom:

- www.recycle-more.co.uk
- www.recyclenow.co.uk

Ireland:

- www.wееeireland.ie

Germany:

- www.take-back.org
- www.recycling.de

France:

- www.ecosysteme.fr
- www.recyclez-mes-dechets.fr



Veuillez éliminer le matériel d'emballage de manière écologique afin qu'il puisse être recyclé.

Hamilton Beach FR – Nous sommes là pour vous aider!

Merci d'avoir choisi Hamilton Beach. Pour toute assistance ou support, veuillez contacter notre équipe dédiée au service client.

Coordonnées:

Téléphone : 01274 752624 (Du lundi au vendredi, de 8h30 à 16h30 GMT ; fermé les week-ends et les jours fériés au Royaume-Uni).

Email: customerservice@hamiltonbeach.co.uk

Adresse:

Hamilton Beach UK
Service Client
Belfry House, Roydsdale Way
Bradford, BD4 6SU, Royaume-Uni

Website:

Visitez www.hamiltonbeach.fr pour l'enregistrement des produits, les FAQ et le dépannage.

GARANTIE ET SERVICE

Enregistrez votre achat* :

Merci d'avoir choisi Hamilton Beach.

Enregistrez votre appareil pour activer la garantie de 2 ans.



Enregistrez
votre achat

Scannez le code QR à l'aide de votre appareil mobile

Ou visitez: www.hamiltonbeach.fr

*Pour faire une réclamation de garantie, ne retournez pas l'appareil au magasin.

Conditions de garantie:

- Garantie de 2 ans, enregistrement requis dans les 30 jours suivant l'achat.
- L'enregistrement tardif annule la garantie.
- S'applique uniquement aux produits achetés et utilisés au Royaume-Uni.
- Couvre les défauts matériels et de fabrication.

Couverture et exclusions:

- Couvre la réparation ou le remplacement des composants défectueux.
- Les clients sont responsables des frais de retour.
- Remplacement de valeur égale ou supérieure si l'article est indisponible.
- Exclusions : verre, filtres, usure normale, mauvaise utilisation, accidents, modifications, abus et usage non domestique.
- Preuve d'achat requise.
- Garantie nulle si l'appareil est utilisé avec une tension ou un type d'onde non spécifié.
- Limité au prix d'achat original, exclut les réclamations pour dommages accessoires ou indirects.
- Garantie implicite déclinée, sauf si la loi l'exige et limitée à 2 ans.

Cette garantie est limitée au prix d'achat original et exclut les réclamations pour dommages accessoires ou indirects. Toute garantie implicite est déclinée, sauf si la loi l'exige, et est limitée à la période de 2 ans.

cook with **confidence**

Hamilton Beach®

Tag Us & Enjoy Special Rewards!



@hamiltonbeachuk

Join the **#HamiltonBeachFamily** on social media!

We love seeing how our products help you tackle every task with confidence!

Tag us for a chance to be featured and enter exclusive giveaways.

Sign up for our newsletter to stay updated on special offers, competitions, and the latest news!

Hamilton Beach UK & EU
Belfry House, Roydsdale Way
Bradford, West Yorkshire
BD4 6SU
01274 752624
www.hamiltonbeach.co.uk


©2025 Hamilton Beach® Brands, Inc. | All Rights Reserved


Hamilton Beach® is a registered trademark of Hamilton Beach Brands, Inc. used under license by EPE International Limited.

*Illustrations may differ from actual product. We are constantly striving to improve our products, therefore all specifications contained herein are subject to change without notice.

This user manual can also be downloaded from our website.

 www.hamiltonbeach.co.uk

 www.hamiltonbeach.fr

 www.hamiltonbeachproducts.de



Made in China
For Domestic Use Only.