

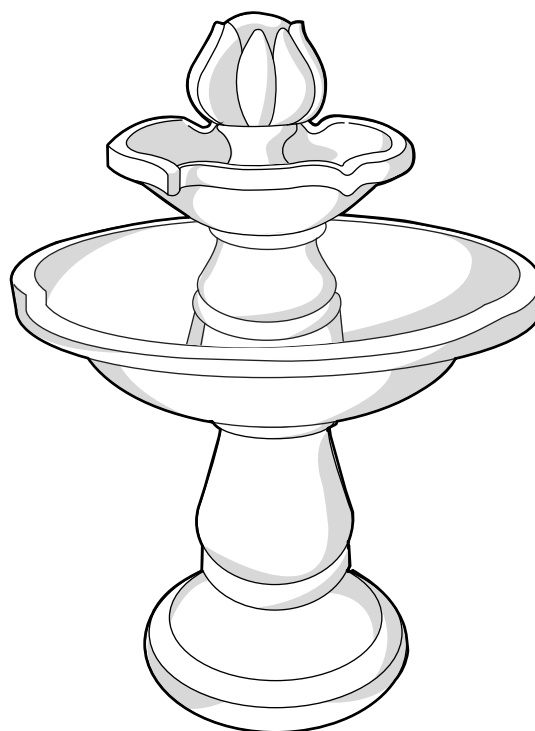


Item # 209-455  
Model # 10141

# USE AND CARE GUIDE

---

## OLYMPUS 2-TIER FOUNTAIN



Questions, problems, missing parts? Before returning to the store call  
Hampton Bay Customer Service  
8 a.m. - 6 p.m., EST, Monday-Friday

**1-877-527-0313**

**HAMPTONBAY.COM**

---

### THANK YOU

*We appreciate the trust and confidence you have placed in Hampton Bay through the purchase of this 2-tier fountain. We strive to continually create quality products designed to enhance your home. Visit us online to see our full line of products available for your home improvement needs. Thank you for choosing Hampton Bay!*


# Table of Contents


Table of Contents.....	2
Safety Information.....	2
Pre-Assembly .....	3
Planning for Successful Assembly.....	3
Package Contents .....	4


Assembly .....	5
Operation .....	8
Maintenance.....	8
Care and Cleaning .....	8
Troubleshooting.....	9


## Safety Information


1. Use only a UL-approved extension cord of the correct rating to avoid overheating.
2. The fountain is for outdoor decorative use only.
3. The fountain is designed to function with water only.
4. This fountain pump is not intended for commercial use.
5. The water in the fountain is not safe to drink.


 **DANGER:** To reduce the risk of electrical shock, always disconnect the power supply before working with the fountain.


 **DANGER:** If the plug or your wall receptacle gets wet, due to water dripping down the power cord or any other reason, do not remove the plug from the wall outlet until the circuit breaker is turned off.


 **DANGER:** If the fountain falls into the water accidentally, turn off the circuit breaker immediately.


 **WARNING:** Do not tamper with the pump/cord assembly. Pump model number: WP-450


 **WARNING:** Connect the fountain only to a grounded outdoor power outlet of 120V- 60Hz.


 **WARNING:** Do not operate the fountain if the pump has been dropped or has a damaged power cord or plug. Do not attempt to repair a damaged power cord. Request a replacement cord from your supplier.


 **WARNING:** Children can fall into the fountain and drown. Keep children away from the fountain if it contains any amount of liquid.


 **CAUTION:** Do not leave a running fountain unattended.


 **CAUTION:** Keep the fountain away from small children and pets.

 **CAUTION:** Do not use attachments which are not provided by the manufacturer since they may cause an unsafe condition.

 **IMPORTANT:** Allow the pump power cord to hang at a lower level than the wall outlet to form a “drip loop”. This prevents water from dripping down the power cord and getting into the wall outlet.

 **IMPORTANT:** Keep the power cord away from high temperatures or heat sources.

 **IMPORTANT:** Only use the fountain with the pump, transformer, and adapter provided.

 **IMPORTANT:** Do not place any items on the edge of the bowl, such as a potted plant. Excessive weight or pressure on any of the fountain sections may cause it to tip or fall over.



# Pre-Assembly

---

## PLANNING FOR SUCCESSFUL ASSEMBLY

Read all instructions before assembly.

To avoid damaging this product, assemble it on a soft, non-abrasive surface such as carpet or cardboard.

Place the fountain near an outdoor GFCI (Ground Fault Circuit Interrupter) electrical connection.



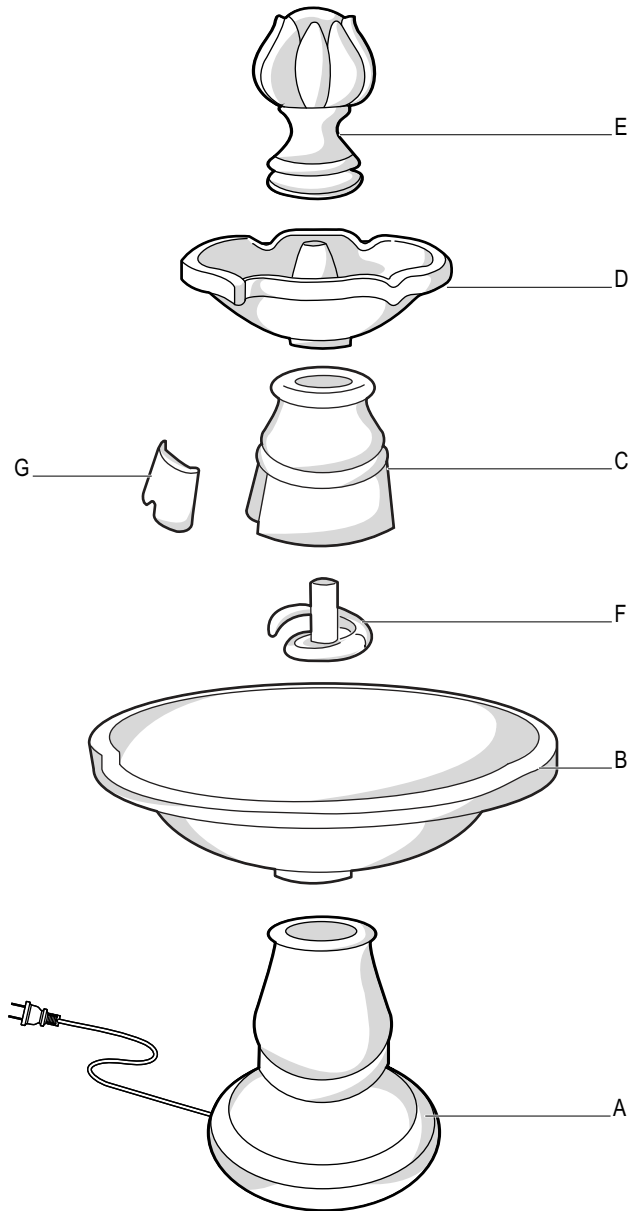
**IMPORTANT:** Do not place the fountain on or near any surface that can be damaged by water.



**NOTE:** More than one person may be required to complete the assembly of this product.

# Pre-Assembly (continued)

## PACKAGE CONTENTS



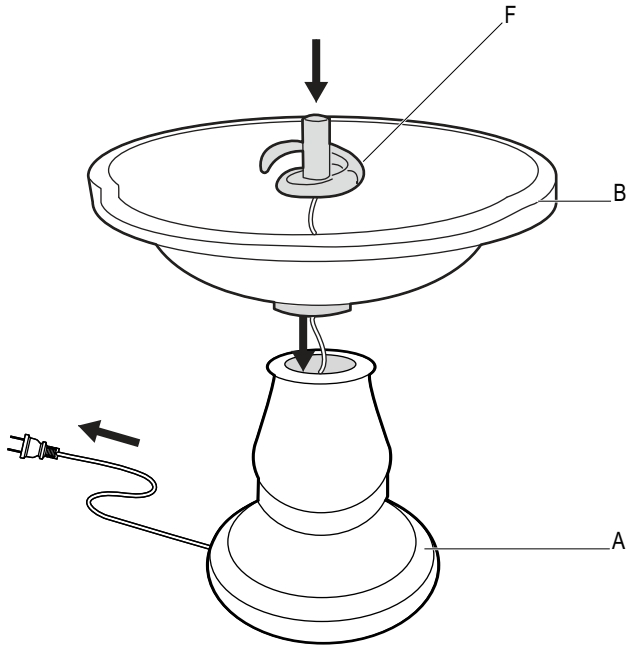
Part	Description	Quantity
A	Base	1
B	Large bowl	1
C	Small base	1
D	Small bowl	1
E	Finial	1
F	Pump	1
G	Back cover	1



# Assembly

## 1 Installing the pump

- Place the pump (F) in the center of the large bowl (B).
- Insert the electrical cord on the pump (F) through the large bowl (B) and into the base (A).
- Position the electrical cord through the groove on the bottom of the base (A).

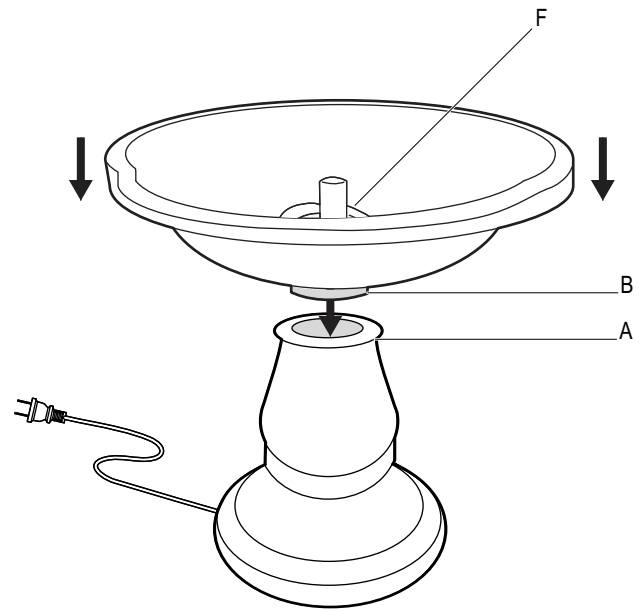


## 2 Connecting the base and the large bowl

- Insert the bottom of the large bowl (B) into the base (A) and lock the parts together.



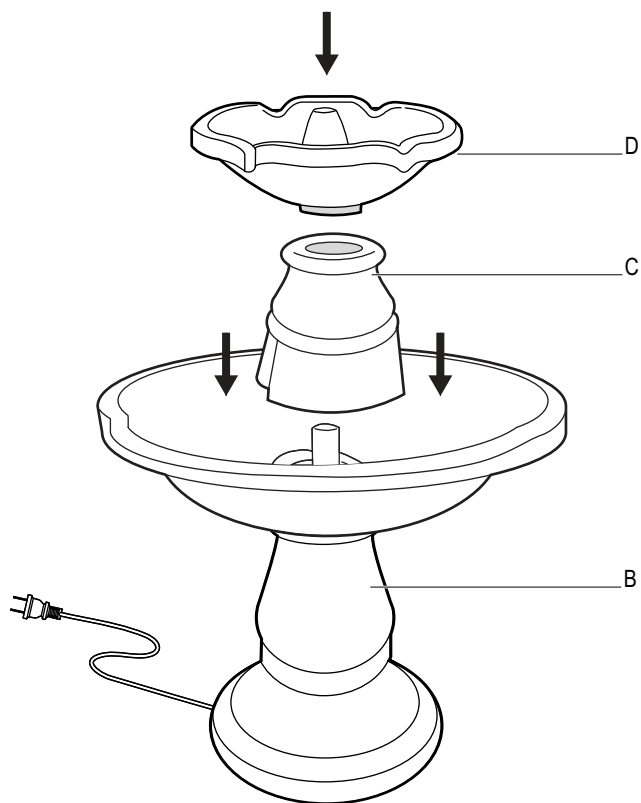
**NOTE:** Ensure that the pump (F) sits level on the bottom of the large bowl (B). The pump (F) must be situated correctly so that it will work properly.



## Assembly (continued)

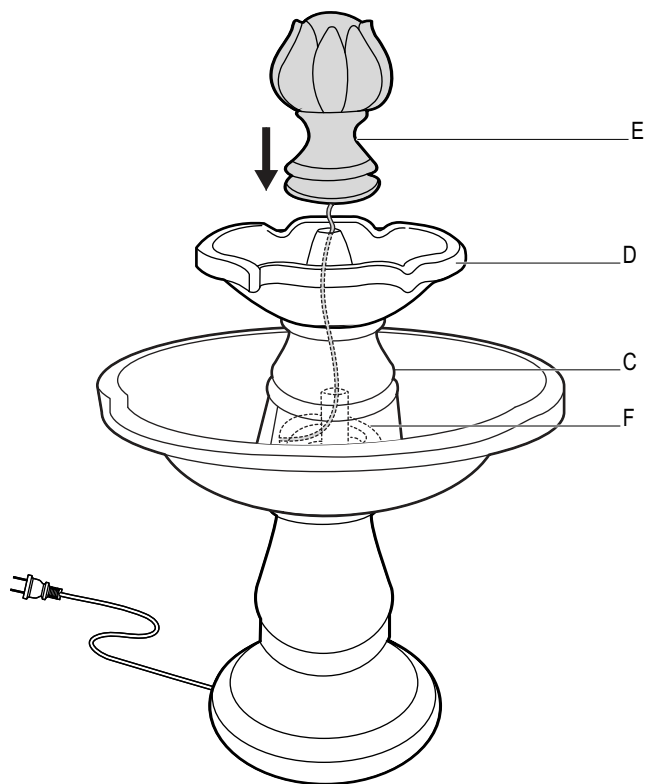
### 3 Connecting the small bowl and small base to the large bowl

- Insert the small base (C) into the large bowl (B) and lock the parts together.
- Insert the small bowl (D) into the small base (C) and lock the parts together.



### 4 Installing the finial

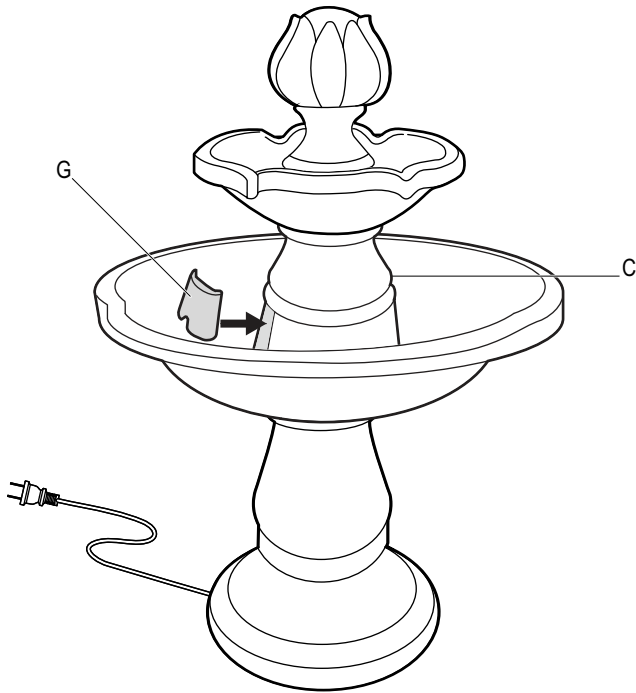
- Thread the hose of the finial (E) into the small bowl (D), and pull it through the door opening in the small base (C).
- Insert and lock the finial (E) to the small bowl (D).
- Connect the hose of the finial (E) to the pump (F).



## Assembly (continued)

### 5 Attaching the back cover

- Assemble the back cover (G) to the back of the small base (C).
- Close the back cover (G).

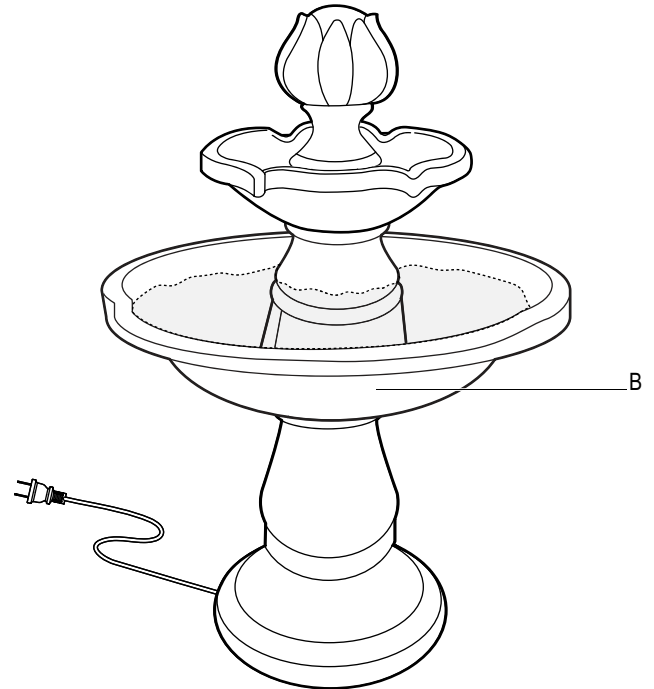


### 6 Adding water

- Add water to the large bowl (B). Fill within 2 inches below the rim of the large bowl (B).



**NOTE:** As you are filling the large bowl (B), check for leaks.



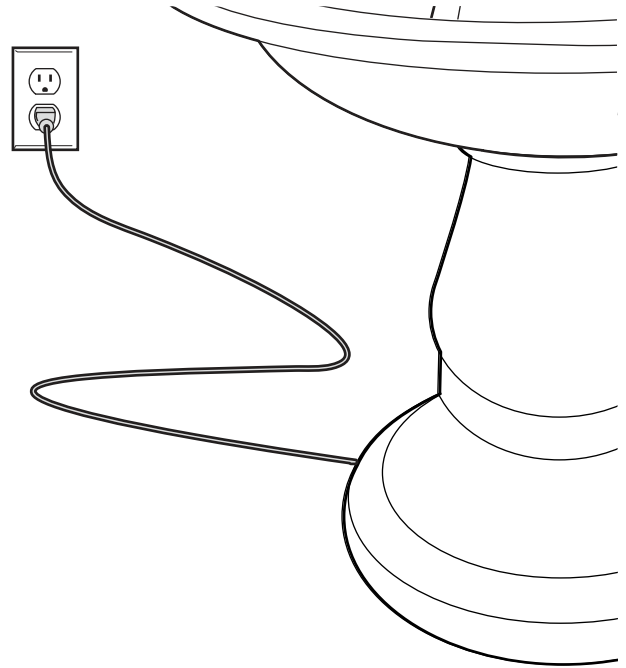
## Operation

### 1 Turning on the pump

- Plug the electrical cord of the pump (F) into a power outlet.
- After a few moments, water starts to flow.



**NOTE:** You must use a GFCI outlet.



## Maintenance

- To reduce the risk of electrical shock, always disconnect the power supply before working with the fountain.
- Do not run the pump without water. Verify the water level frequently to check for evaporation when operating the fountain during the summer months.

## Care and Cleaning

- Store the fountain indoors during the winter.
- Keep the water clean at all times.
  - Periodically change the water.
  - Clean the fountain water basin with a damp cloth if necessary.
  - Clean the pump's outlet nozzle.
- Ensure the pump hose is free from dirt and debris.
- Make sure the pump is completely immersed in water.



# Troubleshooting

Problem	Possible Cause	Solution
No water comes out.	The hose is bent or crushed.	<input type="checkbox"/> Disconnect the power supply and check for a bent or crushed hose.
	There is not enough water in the fountain.	<input type="checkbox"/> Verify the water level in the fountain and add more if it is not adequately filled.
	The pump is not working properly.	<input type="checkbox"/> Disconnect and re-connect the power to the pump several times.
	The water is not circulating properly.	<input type="checkbox"/> Run the pump for several minutes to give the pump time to get the water circulating.
	The pump is not completely immersed in water.	<input type="checkbox"/> Ensure the pump is completely immersed in water.
	The fountain is not level.	<input type="checkbox"/> Ensure that the fountain is level.
	The water intake hose is full of debris.	<input type="checkbox"/> Check for and remove any debris in the water intake hose.

This page intentionally left blank



This page intentionally left blank



Questions, problems, missing parts? Before returning to the store call  
Hampton Bay Customer Service  
8 a.m. - 6 p.m., EST, Monday-Friday

**1-877-527-0313**

**HAMPTONBAY.COM**

Retain this manual for future use.