



# INSTRUCTION MANUAL

## 48" (122cm) TOWED DE-THATCHER

MODEL NO: THTD48 -- PRODUCT NO: 1938212001

EN - ORIGINAL INSTRUCTIONS

ASSEMBLY REQUIRED - MINIMUM TWO PERSONS

SAVE THESE INSTRUCTIONS

SPARES & SUPPORT: 01793 333212



### FOR YOUR SAFETY

Please read & understand this manual, paying attention to the safety instructions, before use.

Incorrect use of the product could put the operator or machine in danger.

Whilst every effort has been made to ensure the accuracy of information contained in this manual, our policy of continuous improvement determines the right to make modifications without prior warning.

Images used are for illustration purposes only

### *Copyright Notice*

Copyright © Handy Distribution

Permission is granted to reproduce this publication for personal & educational use only.

Commercial copying, redistribution, hiring or lending is prohibited.

No part of this publication may be stored in a retrieval system or transmitted in any other form or means without written permission from Handy Distribution.

In all cases this copyright notice must remain intact.

## **CONTENTS**

**SPECIFICATIONS**

**IMPORTANT INFORMATION**

**GENERAL SAFETY INSTRUCTIONS**

**COMPONENTS**

**ASSEMBLY**

**OPERATION**

**MAINTENANCE**

**STORAGE**

**PARTS DIAGRAM & LIST**

**WARRANTY**

**CE DECLARATION OF CONFORMITY**

### **ASSEMBLY IS REQUIRED - MINIMUM TWO PERSONS**

This product requires assembly before use. See "Assembly" section for instructions. Because of the weight and/or size of the trailer, it is recommended that another adult be present to assist with the assembly. **INSPECT ALL COMPONENTS** closely upon receipt to make sure no components are missing or damaged.

**If you require assistance with regards to the contents or operation of the machine, please contact us:**

**TEL: 01793 333212**

**EMAIL: [customerservice@handydistribution.co.uk](mailto:customerservice@handydistribution.co.uk)**

**(MON – FRI 8.00AM TO 5.30PM EXCL. BANK HOLIDAYS)**

## SPECIFICATIONS

The manufacturer reserves the right to change the product specification and livery according to continued product improvements.

<b>Model</b>	<b>THTD48</b>
<b>Product Number</b>	<b>1938212001</b>
Weight	N.W 18kg
Working Width	48" (122cm)
Tines	Spring Steel x24
Recommended Tyre Pressure	25 PSI
Hitch Type	Pin

## IMPORTANT INFORMATION








### INTENDED USE

The product is intended for domestic gardens. This product is not intended for commercial use. Generally acknowledged accident prevention regulations and enclosed safety instructions must be observed. Only perform work described in these instructions for use, any other use is incorrect. The manufacturer will not assume responsibility for damage resulting from such use.

## GENERAL SAFETY INSTRUCTIONS

It is important that you read and understand the owner's manual and labels affixed to the machine. Learn its application and limitations as well as the specific potential hazards. Retain these instructions for future reference. The operator is responsible for following the warnings & instructions in this manual and on the product.

### SAFETY SYMBOLS

	Read & understand the operator's manual for the trailer and the ride on product used to pull the trailer before using the machine. Failure to follow instructions could result in death or serious injury.		Risk of Slicing. Keep hands out of the way of all moving parts.
	Wear gloves to protect your hands. Wear foot protection at all times.		Safety alert symbol. Used to alert you to potential personal injury hazards. Obey all safety messages that follow this symbol to avoid possible injury.
 <b>DANGER</b>	Indicates an imminently hazardous situation which, if not avoided, will result in serious injury.	 <b>WARNING</b>	Indicates a potentially hazardous situation which, if not avoided, could result in serious injury.
 <b>CAUTION</b>	Indicates a potentially hazardous situation which, if not avoided, may result in minor or moderate injury.	<b>CAUTION</b>	Used without the safety alert symbol indicates a potentially hazardous situation which, if not avoided, may result in property damage.

### IMPORTANT SAFETY WARNINGS


<b>TO REDUCE RISK OF INJURY: Before any use be sure everyone using this product reads and understands all safety instructions and other information contained in this manual.</b>

## **GENERAL SAFETY**

### **STAY ALERT**

Do not operate the machine while under the influence of drugs, alcohol, or any medication that could affect your ability to use it properly. Do not use this machine when you are tired or distracted from the job at hand. Be aware of what you are doing at all times. Use common sense.

### **USERS**

Do not at any time carry passengers sit or stand on the cart. Do not allow children to play on, stand upon or climb in the machine. Never allow children or people unfamiliar with these instructions to use the machine. Local regulations can restrict the age of the operator.

### **AVOID DANGEROUS CONDITIONS**

Work in daylight or in good artificial light; always be sure of your footing on slopes; walk, never run with the machine; exercise extreme caution when changing direction on slopes; do not work on excessively steep slopes; use extreme caution when reversing or pulling the machine towards you; do not put hands or feet near or under rotating or moving parts.

### **KEEP BYSTANDERS AND CHILDREN AWAY**

Keep unauthorised persons a safe distance away from the machine. If approached, stop the machine immediately. Do not allow children to handle, climb on or use the machine. Keep in mind the operator or user is responsible for accidents or hazards occurring to other people or their property.

### **INSPECT YOUR MACHINE**

Check all bolts, nuts, and screws for tightness before each use, especially those securing guards and drive mechanisms. Vibration during use, may cause these to loosen.

Form a habit of checking to see that all other tools/equipment are removed from the working area before turning it on. Replace damaged, missing or failed parts before using it. Warning labels carry important information. Replace any missing or damaged warning labels.

### **DRESS PROPERLY**

Do not wear loose clothing, gloves, scarfs, neckties or jewellery (rings, wrist watches), which can be caught in moving parts. Always wear long trousers. Always wear substantial non slip, substantial or heavy-duty safety footwear are highly recommended when working. Never operate barefoot or when wearing sandals. Wear a face or dust mask if the operation is dusty. Always wear safety glasses/goggles and/or face shields. Everyday eyeglasses have only impact resistant lenses; they are not safety glasses/goggles. Wear protective hair covering to contain long hair, preventing it from getting caught in machinery.

### **DO NOT OVERREACH**

Keep proper footing and balance at all times when using the machine. Use on slopes with great care. Never stand on the machine. Serious injury could occur if the machine is tipped or if the moving parts are unintentionally contacted. Do not store anything above or near the machine, where anyone might stand on the machine to reach them.

### **AVOID INJURY FROM UNEXPECTED ACCIDENT**

Keep hands & feet out of the way of all moving parts. Do not place any part of your body or any tool e.g. in the machine during operation.

### **DO NOT FORCE TOOL**

Always work within the rated capacity. Do not use machine for a purpose for which it was not intended. Be careful when operating on steep grades (hill) the cart may tip over. Always operate at reduce speed in rough terrain, along creeks, ditches and on hillsides. Do not operate close to creeks, ditches and public highways. To avoid personal injury and/or equipment damage DO NOT EXCEED 10 MPH. Always use caution when loading and unloading the cart. Only tow with recommended vehicles (Lawn/Garden Tractors and ATVs). Always secure and lock dump cart to the vehicle hitch before operating.

### **NEVER LEAVE MACHINE RUNNING UNATTENDED**

Do not leave the machine unattended until it has come to a complete stop.

### **INSPECT**

Before using, always visually inspect to see that the tools are not worn or damaged. Replace worn or damaged elements and bolts in sets, to preserve balance.

### **MAINTAIN YOUR MACHINE WITH CARE**

Clean the machine immediately after use. Keep the machine clean to ensure it operates to it's full and safest performance. When maintaining this machine, only the manufacturer's original replacement parts should be used. The use of non-original manufacturer parts may invalidate your warranty.

### **PROTECT THE ENVIRONMENT**

Take left over materials to an authorised collection point or follow the stipulations in the country where the

machine is used. Do not discharge into drains, soil or water.

**STORE IDLE EQUIPMENT**

When not in use, the machine should be stored in a dry location. Keep the machine away from children and others not qualified to use it. Keep away from direct sunlight.



**WARNING**

**The warnings, cautions, and instructions outlined in this instruction manual cannot cover all possible conditions or situations that may occur. It must be understood by the operator that common sense and caution are factors which cannot be built into this product and must be supplied by the operator.**

## COMPONENTS

This product must be assembled correctly before use. Carefully remove the product and any accessories from the carton. Inspect the product carefully to make sure there are no breakages or damage occurred during shipping. Do not discard the packing material and carton until you have carefully inspected and satisfactorily operated the product.

Take all parts out of the shipping crate and inspect components to ensure there are no missing pieces before starting to assemble the de-thatcher.

### TOOLS REQUIRED

2x ½" Wrenches

1x 9/16" Wrench

1x 3/4" Wrench or Adjustable Wrench

1x Pliers

If you require assistance with regards to the contents or operation of the machine, please contact us:

TEL: 01793 333212

EMAIL: [customerservice@handydistribution.co.uk](mailto:customerservice@handydistribution.co.uk)

(MON – FRI 8.00AM TO 5.30PM EXCL. BANK HOLIDAYS)



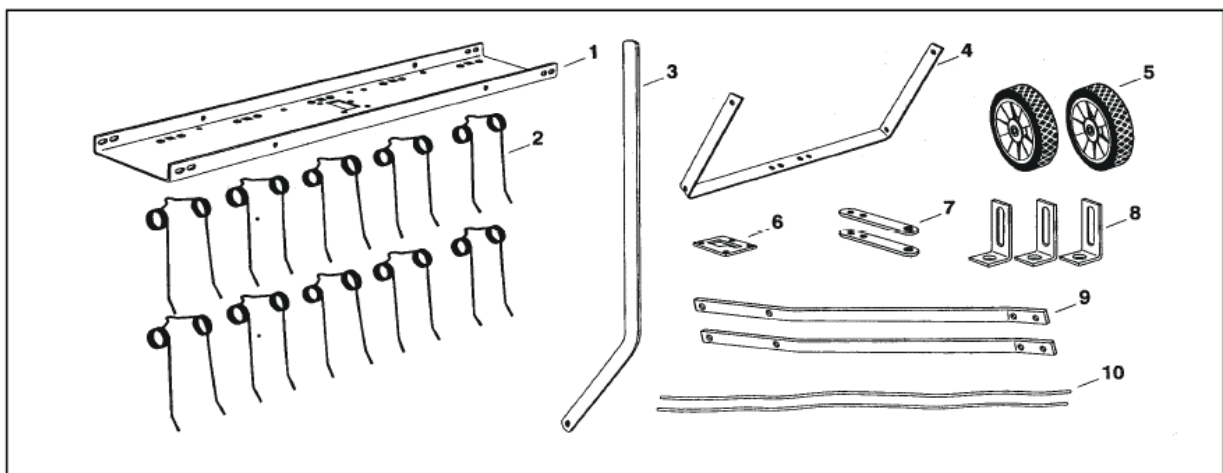
### WARNING

If any parts are damaged or missing do not operate this product until the parts are replaced. Failure to heed this warning could result in serious personal injury.

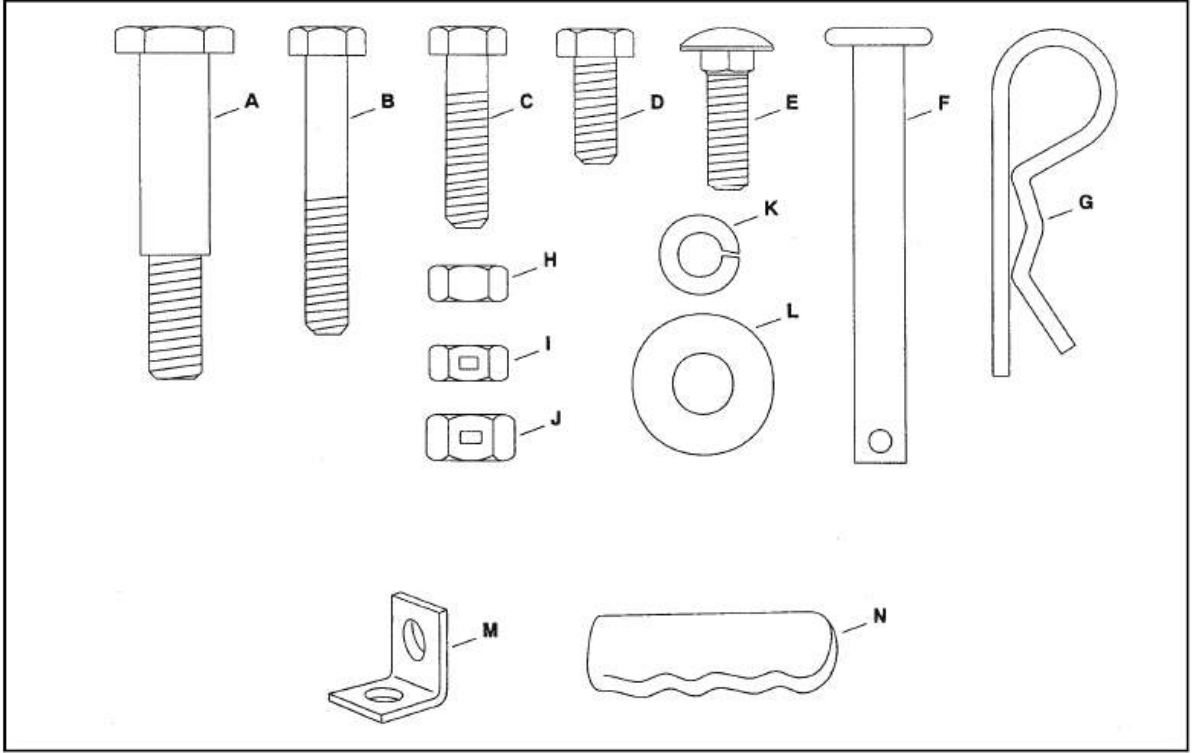
Do not attempt to modify this product or create accessories not recommended for use with this product. Any such alteration or modification is misuse and could result in a hazardous condition leading to possible serious personal injury.

Read and follow all instructions for assembly and operation. Failure to properly assemble this equipment could result in serious injury to the user or bystanders, or cause equipment damage.

Item	Description	Qty	Item	Description	Qty
1	Tine Shield	1	6	Left Plate	1
2	Spring Tines x12	12	7	Hitch Bracket x2	2
3	Lift Handle	1	8	Hitch Arm Mount Bracket x3	3
4	Axle Bracket	1	9	Hitch Mount Arm x2	2
5	Wheels x2	2	10	Spring Alignment Wire x2	2



Item	Description	Qty	Item	Description	Qty
A	Shoulder Bolt	2	H	Hex Nut M8	14
B	Hex Bolt M8x50	2	I	Hex Lock Nut M8	19
C	Hex Bolt M8x30	2	J	Hex Lock Nut M10	2
D	Hex Bolt M8x20	15	H	Lock Washer	14
E	Carriage Bolt M8x25	14	L	Flat Washer	10
F	Hitch Pin (Dia. 10)	1	M	Angle Bracket	4
G	R-Pin (Dia. 3)	1	N	Handle Grip	1

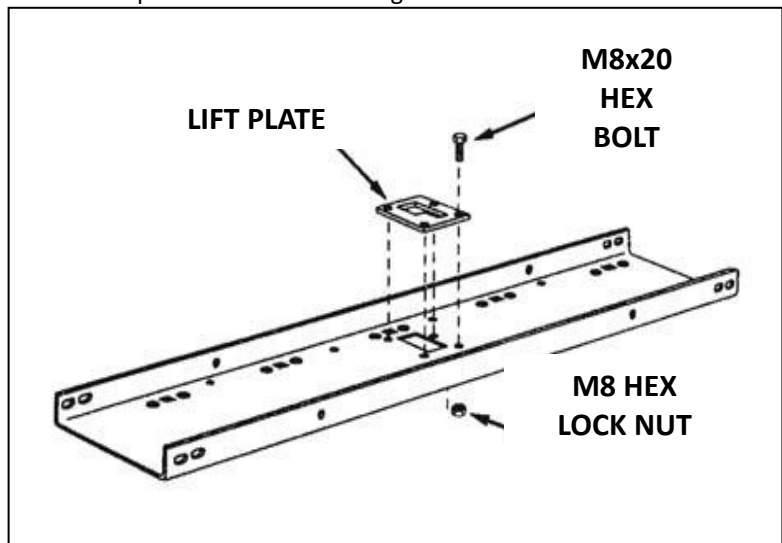


## ASSEMBLY

Before assembling the de-thatcher, lay out all of the parts and hardware as shown on the previous pages.

### STEP 1

Assemble the lift plate to the top of the tine shield using four M8x20 hex bolts and M8 hex lock nuts. **Tighten.**



**STEP 2**

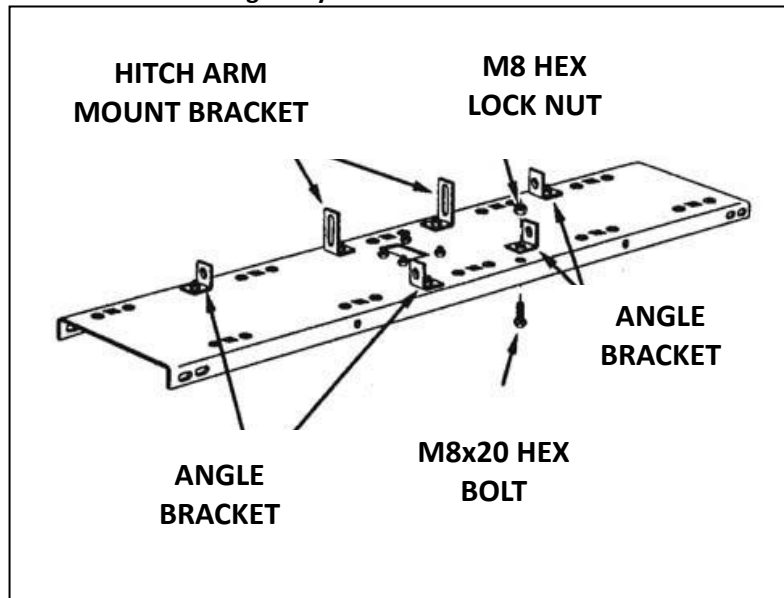
Turn the tine shield upside down.

**STEP 3**

Assemble two (tall) hitch arm mount brackets and two (short) angle brackets to the bottom of the tine shield. Fasten the brackets to the four round holes at the rear of the tine shield using four M8x20 hex bolts and M8 hex lock nuts. **Do not tighten yet.**

**STEP 4**

Assemble two angle brackets to the round holes in the bottom of the tine shield at the front. Use two M8x20 hex bolts and M8 hex lock nuts. **Do not tighten yet.**

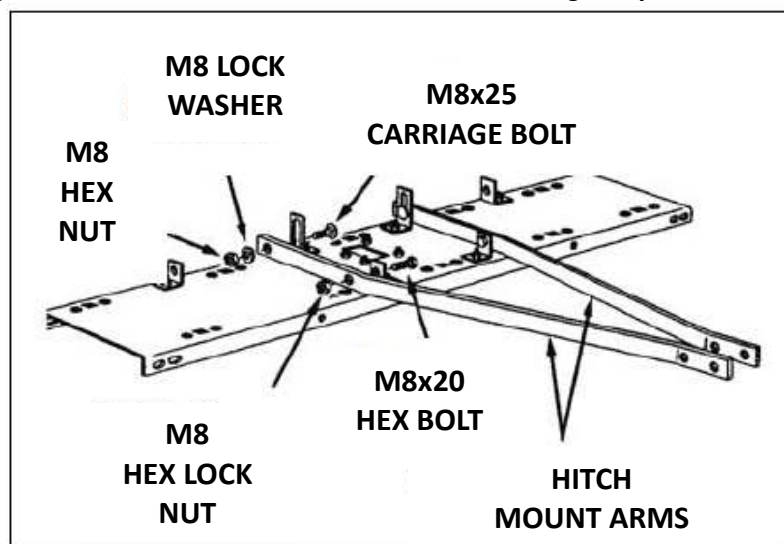


**STEP 5**

Fasten the hitch mount arms to the outside of the angle brackets at the front of the tine shield. Use two M8x20 hex bolts and M8 hex lock nuts. **Tighten and then loosen the nuts slightly.**

**STEP 6**

Fasten the hitch mount arms to the outside of the hitch arm mount brackets at the rear of the tine shield. Use two M8x25 carriage bolts, M8 lock washers and M8 hex nuts. **Do not tighten yet.**



**STEP 7**

Assemble the front ends of the hitch mount arms together using two M8x30 hex bolts and M8 hex lock nuts.

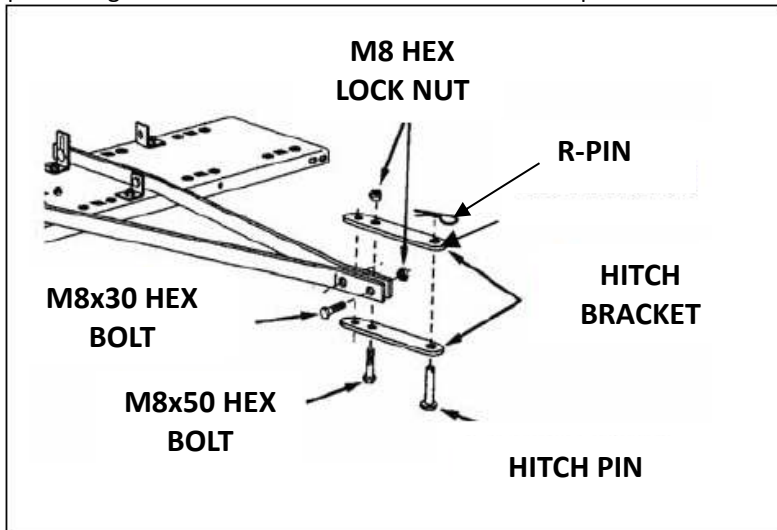
**Do not tighten yet.**

**STEP 8**

Assemble the hitch brackets to the top and bottom of the hitch mount arms using two M8x50 hex bolts and M8 hex lock nuts. **Do not tighten yet.**

**STEP 9**

Assemble the hitch pin through the hitch brackets and secure it with a R-pin.



**STEP 10**

Tighten the bolts and nuts assembled in step 8.

Tighten the bolts and nuts assembled in step 7.

Tighten the bolts and nuts assembled in step 3.

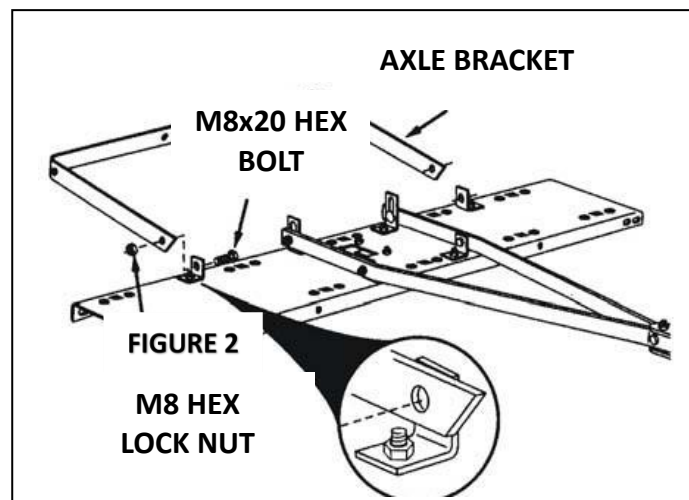
Tighten the bolts and nuts assembled in step 4.

Tighten and then loosen slightly the bolts and nuts assembled in step 5.

Tighten the bolts and nuts assembled in step 6.

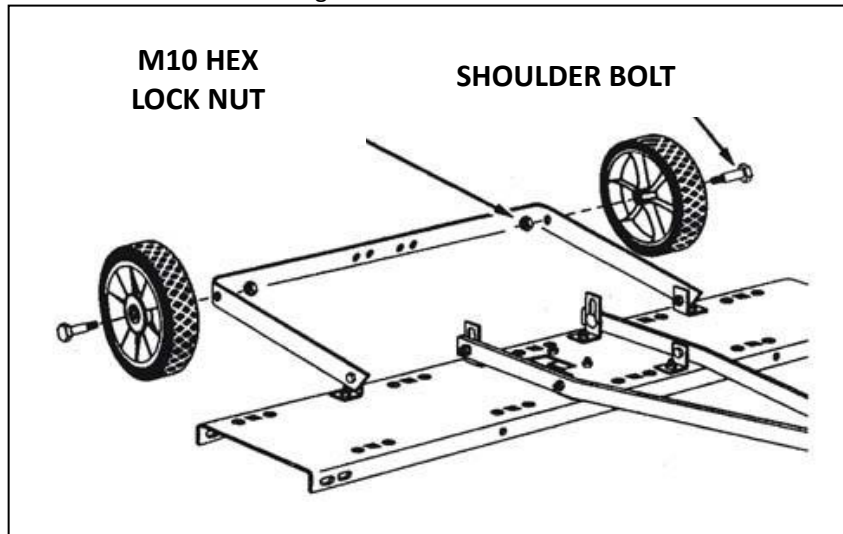
**STEP 11**

Assemble the axle bracket on the outside of the angle brackets using two M8x20 hex bolts and M8 hex lock nuts. The ends of the axle bracket must point as shown below. **Tighten and then loosen the bolts and nuts slightly.**



**STEP 12**

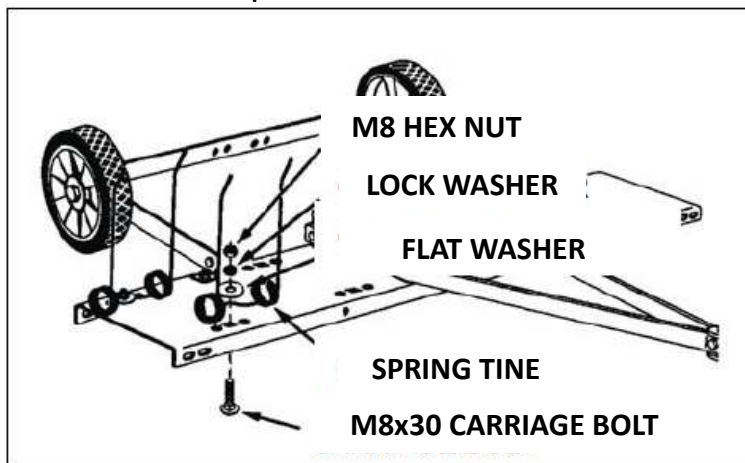
Assemble the wheels to the axle bracket using two shoulder bolts and two M10 hex lock nuts. **Tighten.**



**STEP 13**

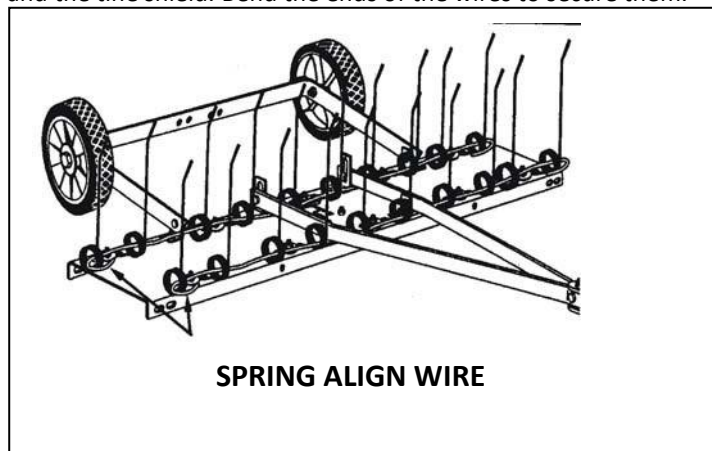
Fasten ten spring tines to the square holes in the bottom of the tine shield. Use a M8x30 carriage bolt,  $\Phi 8$  flat washer M8 lock washer and M8 hex nut for each spring tine. **Tighten.**

**NOTE: Spring tines must seat between dimples.**



**STEP 14**

Assemble the spring align wires through the front and rear rows of spring tines, passing the wires in between the hitch mount arms and the tine shield. Bend the ends of the wires to secure them.



### STEP 15

Assemble a hitch arm mount bracket to the axle bracket using two M8x25 carriage bolts, M8 lock washers and M8 hex nuts. **Do not tighten yet.**

### STEP 16

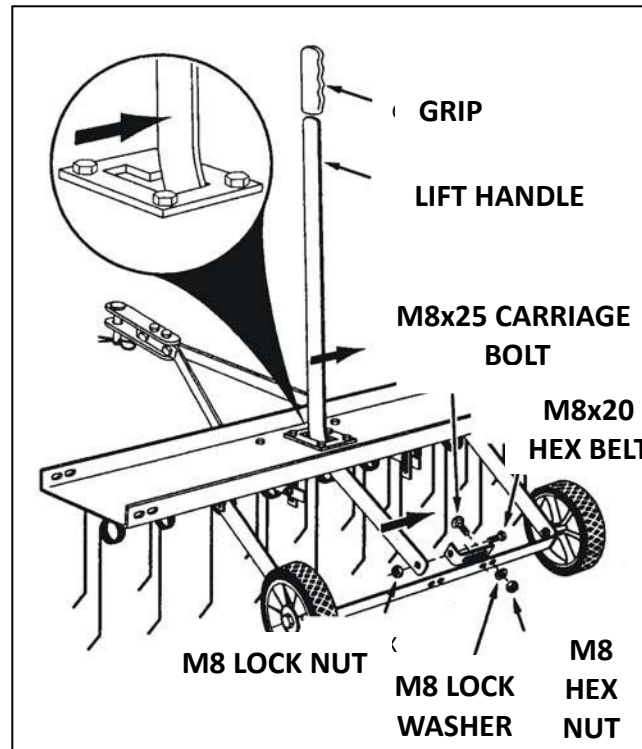
Insert the lift handle down through the tine shield. Attach it to the just assembled hitch arm mount bracket using M8x20 hex bolt and a M8 hex lock nut. **Tighten.**

### STEP 17

Position the hitch arm mount bracket so that there is side tension on the lift handle when it is locked in the up position. **Tighten the nuts.**

### STEP 18

Assemble the grip onto the end of the lift handle.



## OPERATION



### WARNING

Before using the de-thatcher, review the instructions below and safety information. Failure to follow these instructions may result in property damage or injury to the operator or bystanders.

#### USING YOUR DE-THATCHER

Exercise caution at all times when using power equipment.

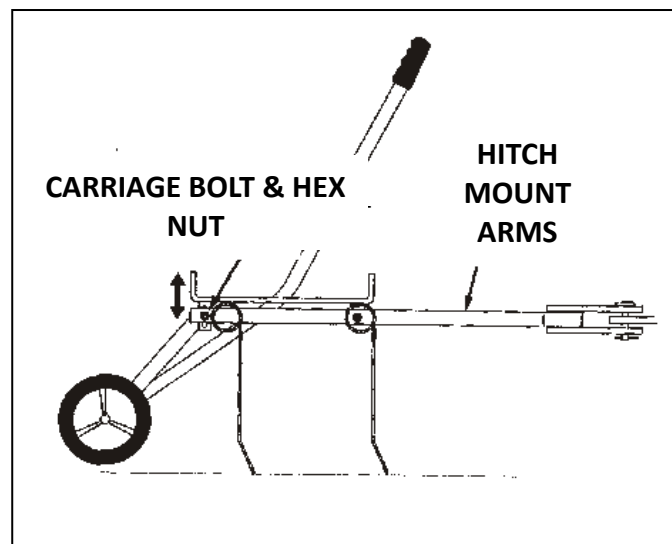
- Read this owner's manual carefully for operating and service instructions before attempting to assemble or operate this equipment. Be thoroughly familiar with the proper use of this equipment.
- Read the vehicle owner's manual and vehicle safety rules, and know how to operate the vehicle before using this equipment.
- Never allow children to operate the tractor or de-thatcher attachment, and do not allow adults to operate without proper instructions.
- This de-thatcher attachment has sharp tine points. Always handle with care and wear substantial footwear when operating this de-thatcher.
- Do not allow anyone to ride or sit on de-thatcher attachment frame or on towing vehicle.
- Keep the area of operation clear of all persons, particularly small children and also pets.
- Always begin with the transmission in first (low) gear and engine at low speed, and gradually increase speed as conditions permit.

- The vehicle braking and stability may be affected with the attachment of this equipment. Be aware of changing conditions on slopes. Refer to safety rules in the vehicle owner's manual concerning safe operation on slopes. **STAY OFF OF STEEP SLOPES.**
- Always operate up and down a slope, never across the face of a slope.
- This equipment should be operated at reduced speed on rough terrain, along creeks and ditches and on hillsides, to prevent tipping and loss of control. Do not drive too close to a creek or a ditch.
- Do not tow this equipment on a highway or any other public thoroughfare.
- Follow the maintenance instructions as outlined in this owner's manual.

Regular removal of thatch is critical to maintenance of a healthy lawn. Thatch is a layer of stems, clippings, runners, roots and leaves that have not decayed. Excessive thatch prevents air, water and fertilizer from reaching the roots. The de-thatcher effectively dislodges excessive thatch from your lawn. Read these instructions to help avoid improper adjustment and operation.

Proper adjustment of the tine shield and spring tines is important for effective performance. Refer to the following steps for the proper adjustment before operating the de-thatcher.

1. Move the towing vehicle onto a level surface, such as a driveway or garage floor and attach the tine de-thatcher to the vehicle hitch.
2. To adjust the spring tine shield, lower the de-thatcher into operating position using the lift handle. Loosen the two hex nuts and carriage bolts which fasten the rear of the hitch mount arms to the hitch arm mount brackets. Adjust the tine shield until it is level and both the front and rear spring tines are in contact with the ground. **Retighten the hex nuts.**



3. Vary the vehicle's forward speed until the best de-thatching action is achieved.
4. For best results, use a criss-cross pattern on your lawn.
5. If the de-thatcher appears to be "jumping" during use, then extra weight should be added to the tine shield. In most conditions extra weight will be needed. Concrete patio blocks are recommended for weight because of their low profile; however, any type of weight is suitable if it can be tied down to the shield. Secure weight by using suitable binding material such as rubber tie down straps or wire, fastening to the holes in the shield flange.

## MAINTENANCE



### WARNING

**Improper maintenance and storage of the trailer may void your warranty.**

- After each use, clean material off of the tines.
- Rinse/dry after each use.
- Regularly grease the axle and the wheel bearing area when needed.
- Periodically check all fasteners for tightness.
- Annually clean and lightly lubricate parts.
- Use a glossy enamel spray paint to touch up scratched or worn painted metal surfaces.

### **IMPORTANT:**

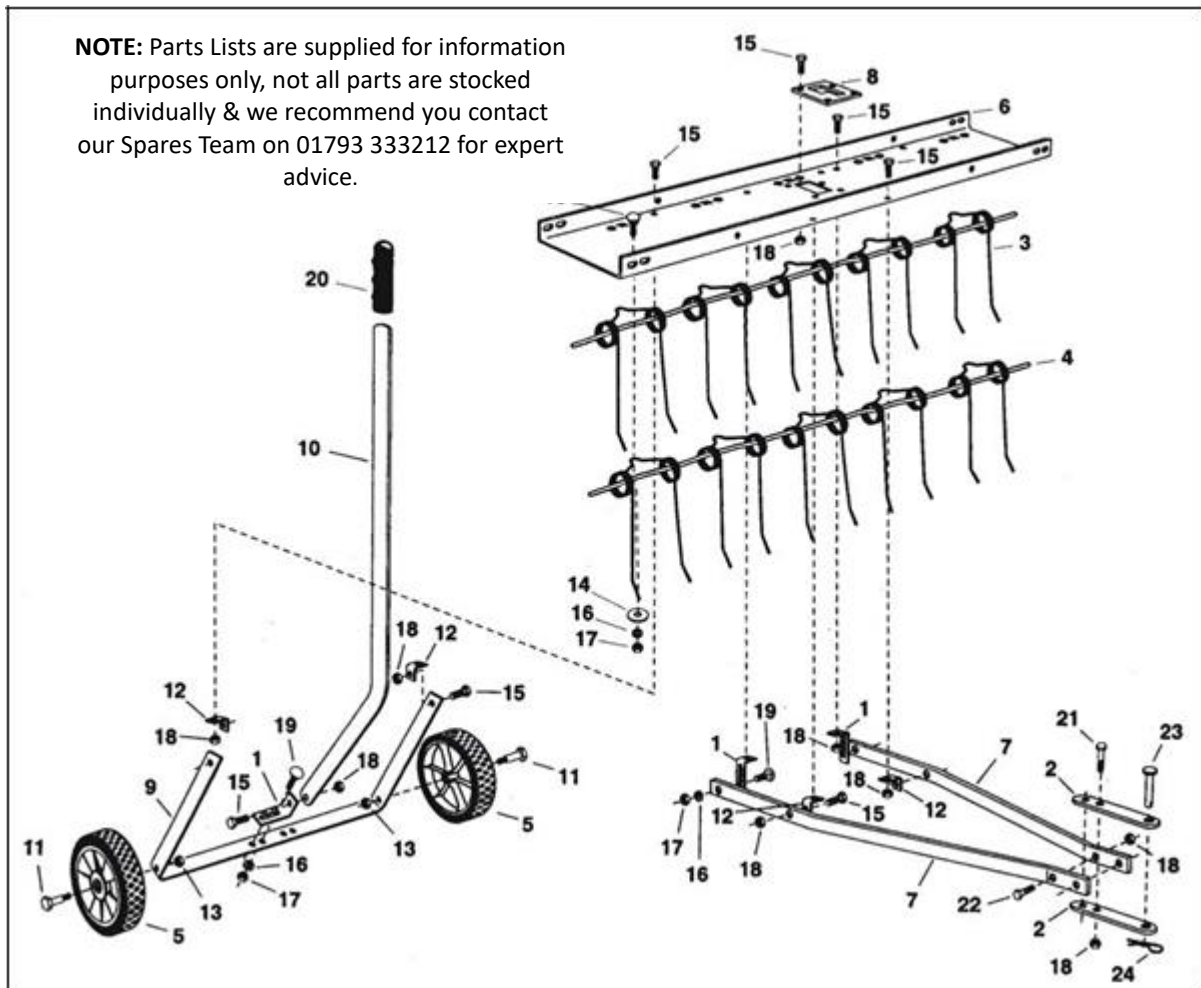
If a part needs replacement, only use parts that meet the manufacturer's specifications. Replacement parts that do not meet specifications may result in a safety hazard or poor operation.

## STORAGE

- Before storing, make sure the de-thatcher is clean and dry for years of trouble-free service.
- Store indoors or in a protected area during severe weather and winter months.
- When storing outside, always keep the tongue a little higher than the back of the cart to allow the moisture to easily run out the back and not accumulate.

## PARTS DIAGRAM – THTD48 (1938212001)

**NOTE:** Parts Lists are supplied for information purposes only, not all parts are stocked individually & we recommend you contact our Spares Team on 01793 333212 for expert advice.



## PARTS LIST – THTD48 (1938212001)

NO.	PART NO.	DESCRIPTION	QTY	NO.	PART NO.	DESCRIPTION	QTY
1	TH153-1	Hitch Arm Mount Bracket	3	13	TH254-13	Hex Lock Nut M10	2
2	TH153-2GM	Hitch Bracket	2	14	TH253-14	Flat Washer	10
3	TH153-3	Spring Tine	10	15	TH153-15	Hex Bolt M8x20	15
4	TH254-4	Spring Alignment Wire	2	16	TH153-16	Lock Washer	14
5	TH153-5	Wheel	2	17	TH254-17	Hex Nut M8	14
6	TH254-6GM	Tine Shield	1	18	TH254-18	Hex Lock Nut M8	19
7	TH153-7GM	Hitch Mount Arm	2	19	TH254-19	Carriage Bolt M8x25	14
8	TH153-8	Gate Plate	1	20	TH153-20	Handle Grip	1
9	TH153-9GM	Axle Bracket	1	21	TH153-21	Hex Bolt M8x50	2
10	TH153-10GM	Lift Handle	1	22	TH153-22	Hex Bolt M8x30	2
11	TH153-11	Shoulder Bolt	2	23	TH153-23	Hitch Pin M8	1
12	TH153-12	Angle Bracket	4	24	TH153-24	R Clip	1

# GJ HANDY & CO LTD USER WARRANTY POLICY

## Users Statement of Warranty

Each new machine is warranted against defective material or assembly of material under normal usage. The warranty applies to the original purchaser and covers faulty parts and the labour involved in replacing and repairing those parts, which are of original manufacture.

## Period of Warranty

### Webb (excludes Electric Handheld, Dynamic, Heritage, Legacy), Webb Pro, Sanli Engine

- a) 2 years from the original date of sale to the first domestic user.
- b) 90 days from the original date of sale to the professional/commercial user.
- c) 90 days from the original date of sale when used for hire.
- d) A reduced warranty period of 90 days applies to those items which are subject to normal wear and tear (e.g. but not limited to wheels, tyres, cutter bars, cylinders, cutting blades, blade boss, belts, cables, nylon line & spool, collection bags, spark plugs).
- e) Engines are supplied with a separate warranty to the machine. The engine manufacturers warranty statement which will be supplied within the engine instruction manual. All enquiries and warranty repairs should be discussed with the engine manufacturer or approved warranty repair dealer.
- f) 90 days from the original date of purchase for Replacement Spare Parts (unless normal wear & tear component, which are covered for 30 days).
- g) All machines' must be serviced within the first 12 months from the original date of purchase to comply with the warranty, failure to do so will invalidate the 2nd year of the warranty.

### Webb Electric Handheld, Webb Dynamic, Heritage & Legacy, Handy, Mowerland, Q-Garden

- a) 1 year from the original date of sale to the first domestic user.
- b) 90 days from the original date of sale to the professional/commercial user.
- c) 90 days from the original date of sale when used for hire.
- d) A reduced warranty period of 90 days applies to those items which are subject to normal wear and tear (e.g. but not limited to wheels, tyres, cutter bars, cylinders, cutting blades, blade boss, belts, cables, nylon line & spool, collection bags, spark plugs).
- e) Engines are supplied with a separate warranty to the machine. The engine manufacturers warranty statement which will be supplied within the engine instruction manual. All enquiries and warranty repairs should be discussed with the engine manufacturer or approved warranty repair dealer.
- f) 90 days from the original date of purchase for Replacement Spare Parts (unless normal wear & tear component, which are covered for 30 days).

All warranty repairs must be undertaken by an authorised service dealer. These dealers have been accredited by GJ Handy & Co Ltd and agree to only use genuine parts and follow our repair procedures.

## Not covered by this warranty

- a) The warranty policy does not cover any depreciation or damages caused by ordinary wear, rusting or corrosion, lack of correct maintenance or operation, misuse, abuse, lack of transportation or accident.
- b) The warranty policy does not cover any costs necessary for the standard periodic maintenance services instructed by the operator's manual, or service parts replacement which would include oil, filters, tyres, belts, brake linings, fuses, blades, seals and other service parts unless it can be proven that the item has evidence of faulty manufacture.
- c) The warranty policy will not cover failure or damage caused as a result of parts or accessories being modified without the written approval of GJ Handy & Co Ltd.
- d) The warranty policy will not cover the unit if non-genuine parts have been fitted and as a result damage has occurred to the unit.
- e) The warranty policy is non-transferable and is only applicable to the original purchaser.

**Disclaimer**

- a) This warranty is only a remedy for defect of products. GJ Handy & Co Ltd will never warranty in terms of the merchantability or the fitness for a particular purpose.
- b) No person is authorised to make any warranties, representations or promises, expressed or implied, on behalf of GJ Handy & Co Ltd, or to modify the terms conditions or limitation of this warranty policy in any way.
- c) Neither GJ Handy & Co Ltd nor any company affiliated with GJ Handy & Co Ltd shall be liable in any event or manner whatsoever for incidental or consequential damages or injuries, including, but not limited to, loss of crops, loss of profit, out of pocket expenses or profits, rental of substitute equipment or other commercial losses.

**General**

- a) Most warrantable failures show up within the first few weeks of use. These failures are usually straightforward and warranty assessment is relatively easy.
- b) Failures relating to cutter decks and belts need careful investigation, as the cause may not always be straightforward. Look for damage to blades and pulleys especially when the cutter belt or blade boss have snapped or cracked as this could be due to impact damage.
- c) Customers should always refer to the operator/instruction manual when any disputed problem arises, you will find most areas covered within the manual.



## EC DECLARATION OF CONFORMITY

We Handy Distribution Ltd - SN3 5HY (Importer) declare that the product:

**Designation:** 48" (122cm) Towed Tine Dethatcher

**Model(s):** THTD48

**Product Number:** 1938212001

**Type/Serial No:** As per rating label on machine

**Working Width:** 48" (122cm)

**Complies with the following directives:**

2006/42/EC – Machinery Directive

**The conformity assessment procedure followed was in accordance with**

EN ISO 12100:2010,

**Notified Bodies:**

ENTE CERTIFICAZIONE MACCHINE

**Address(es):**

Via Ca' Bella, 243 - Loc. Castello id Serravalle - 40053 Valsamoggia (BO) - ITALY

**Authorised signatory & technical file holder**

**Date:**

14/05/2019

**Signature:**

A handwritten signature in black ink, appearing to read 'S Belcher', written over a horizontal line.

**Name:**

Mr. Simon Belcher

**Position:**

Chairman

**Company:**

Handy Distribution Ltd

**Address:**

Murdock Rd, Dorcan, Swindon, Wiltshire, SN3 5HY.



**For spares or support of your handy product,  
please contact us:**

**Tel: 01793 333212**

**Email: [customerservice@handydistribution.co.uk](mailto:customerservice@handydistribution.co.uk)  
(Mon – Fri 8.00am to 5.30pm excl. Bank Holidays)**

**To see our range of garden machinery & equipment visit:**

**[www.thehandy.co.uk](http://www.thehandy.co.uk)**

**Making gardening easier & affordable since 1938**

Distributed by Handy Distribution, Murdock Road, Dorcan, Swindon, SN3 5HY