

User Manual

Harley Benton

Mighty-15TH

Guitar Amp Head

Thomann GmbH

Hans-Thomann-Straße 1

96138 Burgebrach

Germany

Telephone: +49 (0) 9546 9223-0

Internet: www.thomann.de

31.10.2022, ID: 484306 (V3)

Table of contents

1	General information.....	5
	1.1 Further information.....	6
	1.2 Notational conventions.....	6
	1.3 Symbols and signal words.....	7
2	Safety instructions.....	9
3	Features.....	12
4	Installation and starting up.....	13
5	Connections and controls.....	14
6	Technical specifications.....	17
7	Plug and connection assignment.....	19
8	Cleaning.....	20
9	Protecting the environment.....	21



4 Mighty-15TH
Guitar Amp Head

1 General information

This user manual contains important information on the safe operation of the device. Read and follow all safety notes and all instructions. Save this manual for future reference. Make sure that it is available to all persons using this device. If you sell the device to another user, be sure that they also receive this manual.

Our products and user manuals are subject to a process of continuous development. We therefore reserve the right to make changes without notice. Please refer to the latest version of the user manual which is ready for download under www.thomann.de.

1.1 Further information

On our website (www.thomann.de) you will find lots of further information and details on the following points:

Download	This manual is also available as PDF file for you to download.
Keyword search	Use the search function in the electronic version to find the topics of interest for you quickly.
Online guides	Our online guides provide detailed information on technical basics and terms.
Personal consultation	For personal consultation please contact our technical hotline.
Service	If you have any problems with the device the customer service will gladly assist you.

1.2 Notational conventions

This manual uses the following notational conventions:

Letterings



The letterings for connectors and controls are marked by square brackets and italics.

Examples: *[VOLUME]* control, *[Mono]* button.

1.3 Symbols and signal words

In this section you will find an overview of the meaning of symbols and signal words that are used in this manual.

Signal word	Meaning
DANGER!	This combination of symbol and signal word indicates an immediate dangerous situation that will result in death or serious injury if it is not avoided.
CAUTION!	This combination of symbol and signal word indicates a possible dangerous situation that can result in minor injury if it is not avoided.
NOTICE!	This combination of symbol and signal word indicates a possible dangerous situation that can result in material and environmental damage if it is not avoided.

Warning signs	Type of danger
 A yellow triangular warning sign with a black border and a black lightning bolt symbol in the center.	Warning – high-voltage.
 A yellow triangular warning sign with a black border and a black exclamation mark in the center.	Warning – danger zone.

2 Safety instructions

Intended use

This device is intended to be used for the amplification of signals from musical instruments with electromagnetic pickups. Use the device only as described in this user manual. Any other use or use under other operating conditions is considered to be improper and may result in personal injury or property damage. No liability will be assumed for damages resulting from improper use.

This device may be used only by persons with sufficient physical, sensorial, and intellectual abilities and having corresponding knowledge and experience. Other persons may use this device only if they are supervised or instructed by a person who is responsible for their safety.

Safety



DANGER!

Danger for children

Ensure that plastic bags, packaging, etc. are disposed of properly and are not within reach of babies and young children. Choking hazard! Ensure that children do not detach any small parts (e.g. knobs or the like) from the unit. They could swallow the pieces and choke! Never let children unattended use electrical devices.



DANGER!

Electric shock caused by high voltages inside

Within the device there are areas where high voltages may be present. Never remove any covers. There are no user-serviceable parts inside. Do not use the device if covers, protectors or optical components are missing or damaged.



DANGER!

Electric shock caused by short-circuit

Always use proper ready-made insulated mains cabling (power cord) with a protective contact plug. Do not modify the mains cable or the plug. Failure to do so could result in electric shock/death or fire. If in doubt, seek advice from a registered electrician.



CAUTION!

Possible hearing damage

With loudspeakers connected, the device can produce volume levels that may cause temporary or permanent hearing impairment. Over an extended period of time, even levels that seem to be uncritical can cause hearing damage. Do not operate the device permanently at a high volume level. Decrease the volume level immediately if you experience ringing in your ears or hearing impairment. If this is not possible, keep a bigger distance to the speaker or use sufficient ear protectors.



NOTICE!

Risk of fire

Do not block areas of ventilation. Do not install the device near any direct heat source. Keep the device away from naked flames.



NOTICE!

Operating conditions

This device has been designed for indoor use only. To prevent damage, never expose the device to any liquid or moisture. Avoid direct sunlight, heavy dirt, and strong vibrations. Only operate the device within the ambient conditions specified in the chapter 'Technical specifications' of this user manual. Avoid heavy temperature fluctuations and do not switch the device on immediately after it was exposed to temperature fluctuations (for example after transport at low outside temperatures). Dust and dirt inside can damage the unit. When operated in harmful ambient conditions (dust, smoke, nicotine, fog, etc.), the unit should be maintained by qualified service personnel at regular intervals to prevent overheating and other malfunction.



NOTICE!

Power supply



Before connecting the device, ensure that the input voltage (AC outlet) matches the voltage rating of the device and that the AC outlet is protected by a residual current circuit breaker. Failure to do so could result in damage to the device and possibly injure the user. Unplug the device before electrical storms occur and when it is unused for long periods of time to reduce the risk of electric shock or fire.



NOTICE!

Possible damage due to installation of a wrong fuse



The use of different types of fuses can cause serious damage to the unit. Fire hazard! Only fuses of the same type may be used.



NOTICE!

Possible staining



The plasticiser contained in the rubber feet of this product may possibly react with the coating of your surface and after some time cause permanent dark stains. In case of doubt, do not put the rubber feet directly on the surface and use a suitable underlay if necessary, i.e. felt pads or similar.

3 Features

Special features of the device:

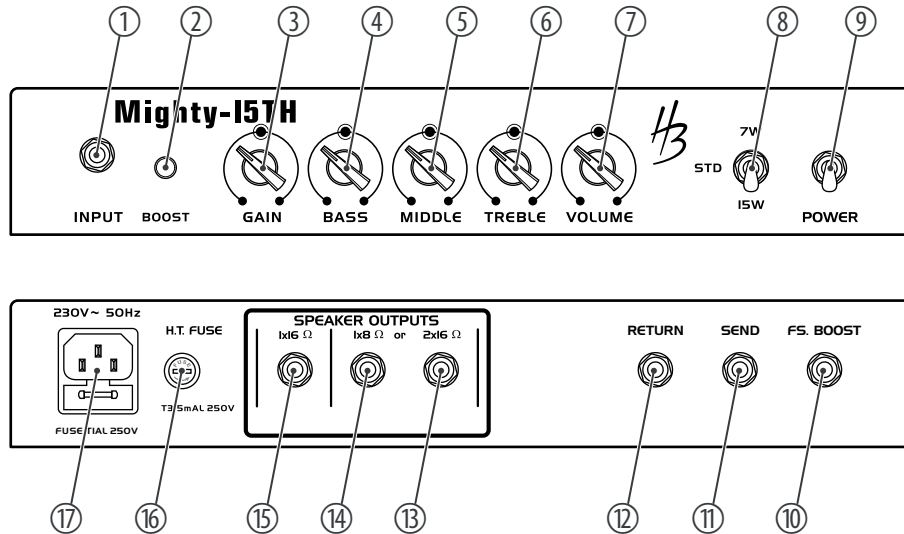
- 15 watt tube amp head for electric guitar
- Class A circuit with switchable output power
- 1 channel
- Power 15 W
- Reducible to 7 W
- 2 × 12AX7 preamp tube
- 2 × EL84 power tube
- 1 × 6E2 indicator tube
- Controls for gain, bass, mids, treble and volume
- Loudspeaker outputs for 8 and 16 Ω
- Effects loop
- Boost switch with footswitch option
- Robust metal housing

4 Installation and starting up

Unpack and check carefully there is no transportation damage before using the unit. Keep the equipment packaging. To fully protect the product against vibration, dust and moisture during transportation or storage use the original packaging or your own packaging material suitable for transport or storage, respectively.

Create all connections while the device is off. Use the shortest possible high-quality cables for all connections. Take care when running the cables to prevent tripping hazards.

5 Connections and controls



1	<i>[INPUT]</i> 1/4" jack socket to connect your instrument	
2	<i>[BOOST]</i> boost switch	
3	<i>[GAIN]</i> gain control for the overall gain and overdrive level	
4	<i>[BASS]</i> control for boosting / attenuating the bass	
5	<i>[MIDDLE]</i> control for boosting / attenuating the mids	
6	<i>[TREBLE]</i> control for boosting / attenuating the treble	
7	<i>[VOLUME]</i> control to adjust the volume	
8	<i>[STD]</i> <i>[7W]</i> <i>[15W]</i> Toggle switch for selecting output power and standby	<i>[STD]</i> : Standby
		<i>[7W]</i> : Power reducer to 7 W
		<i>[15W]</i> : Power 15 W
9	<i>[POWER]</i> main switch. Turns the device on and off.	
10	<i>[FS BOOST]</i> connection for foot switch to switch the boost on / off	
11	<i>[SEND]</i> 1/4" jack socket of the serial effects loop for connecting sound processors such as compressors, etc. The connection can also be used as a line output, since the internal signal path is interrupted only by plugging a plug into the <i>[RETURN]</i> input. The SEND signal is tapped behind the EQ.	
12	<i>[RETURN]</i> 1/4" jack input of the effects loop for returning the processed signal	
13	<i>[2x16 Ω]</i> output for connecting speaker boxes with 2 × 16 Ω impedance	

- | | |
|----|---|
| 14 | [1x8 Ω] output for connecting speaker boxes with 8 Ω impedance |
| 15 | [1x16 Ω] output for connecting speaker boxes with 16 Ω impedance |
| 16 | High voltage fuse |
| 17 | IEC chassis plug for connecting the mains cable with fuse holder |

The amplifier can operate a pair of 16 Ω speakers and combine them into an 8 Ω load, or you can operate a single 8 Ω speaker by connecting it to the output jacks labelled 1x8 Ω or 2x16 Ω .

6 Technical specifications

Speaker	Preamp	2 × 12AX7
	Power amplifier	2 × EL84
	Indicator tube	1 × 6E2
Amp class	A	
Output power	max. 15 W @ 8 or 16 Ω	
Input connections	Power supply	IEC chassis plug C14
	Instrument	1 × 1/4" jack socket
	Effects loop	1 × 1/4" jack socket
Output connections	Speaker	1 × 1/4" jack socket (8 Ω)
		2 × 1/4" jack socket (16 Ω)
	Effects loop	1 × 1/4" jack socket
	Foot switch	1 × 1/4" jack socket
Supply voltage	230 V ~ 50 Hz	
Fuse	5 mm × 20 mm, 1 A, 250 V, slow-blow	
High voltage fuse	5 mm × 20 mm, 315 mA, 250 V, slow-blow	

Technical specifications

Dimensions (W × H × D)	330 mm × 162 mm × 146 mm	
Weight	5.9 kg	
Ambient conditions	Temperature range	0 °C...40 °C
	Relative humidity	20 %...80 % (non-condensing)

Further information

Power rating	15 W
Power tubes	EL84
Channels	1
Reverb	no
Foot switch	yes

7 Plug and connection assignment

Introduction

This chapter will help you select the right cables and plugs to connect your valuable equipment in such a way that a perfect sound experience is ensured.

Please note these advices, because especially in 'Sound & Light' caution is indicated: Even if a plug fits into the socket, an incorrect connection may result in a destroyed power amp, a short circuit or 'just' in poor transmission quality!

1/4" TS phone plug (mono, unbalanced)



1	Signal
2	Ground, shielding

8 Cleaning

Device components

Clean the device components that are accessible from the outside regularly. The cleaning frequency depends on the operating environment: damp, smoky or particularly dirty environments can cause greater accumulation of dirt on the device components.

- Clean with a dry soft cloth.
- Stubborn dirt can be removed with a slightly dampened cloth.
- Never use solvents or alcohol for cleaning.

9 Protecting the environment

Disposal of the packaging material



For the transport and protective packaging, environmentally friendly materials have been chosen that can be supplied to normal recycling.

Ensure that plastic bags, packaging, etc. are properly disposed of.

Do not just dispose of these materials with your normal household waste, but make sure that they are collected for recycling. Please follow the notes and markings on the packaging.

Disposal of your old device



This product is subject to the European Waste Electrical and Electronic Equipment Directive (WEEE) in its currently valid version. Do not dispose with your normal household waste.

Dispose of this device through an approved waste disposal firm or through your local waste facility. When discarding the device, comply with the rules and regulations that apply in your country. If in doubt, consult your local waste disposal facility.

