

HILTI

SF 181-A / SFH 181-A

Operating instructions

en

Mode d'emploi

fr

Manual de instrucciones

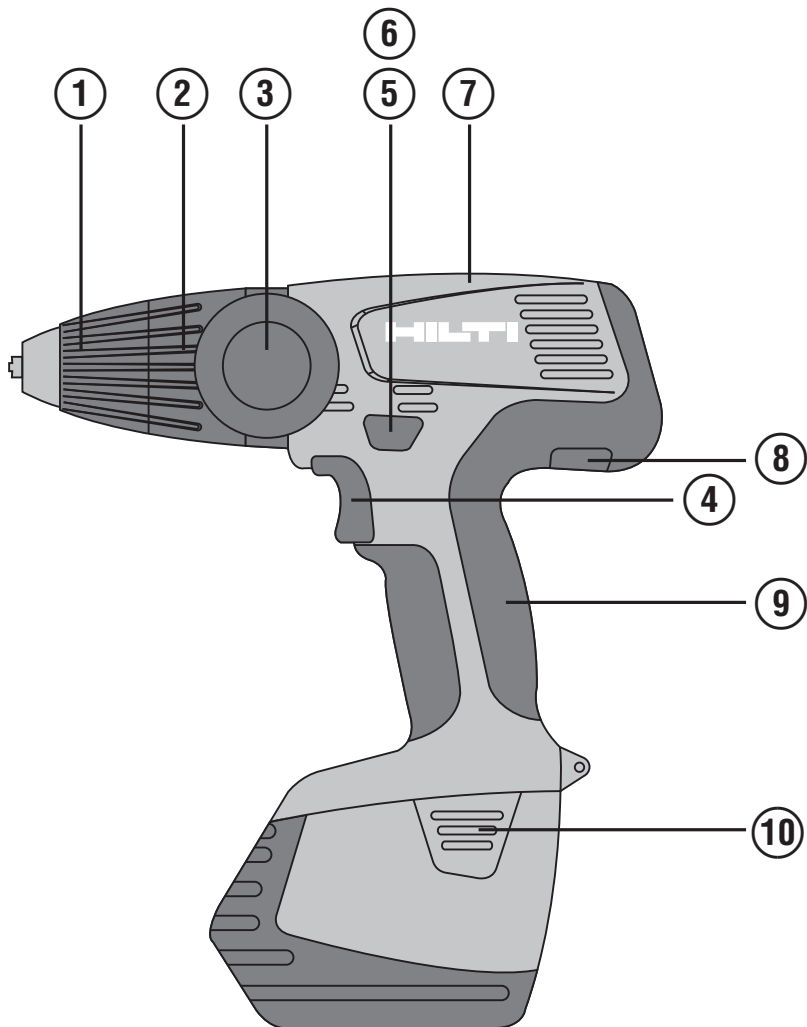
es

Manual de instruções

pt

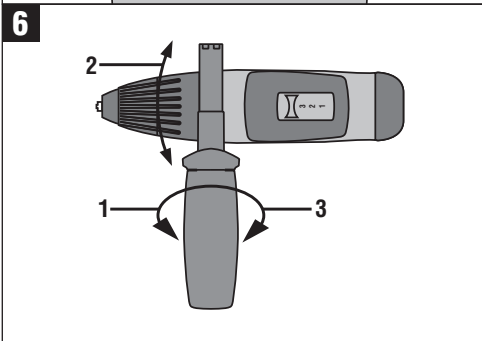
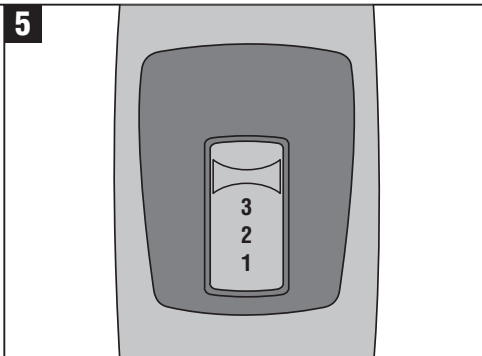
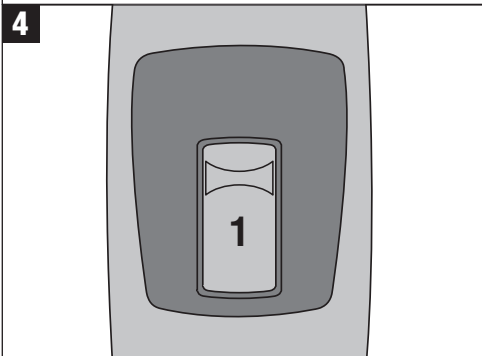
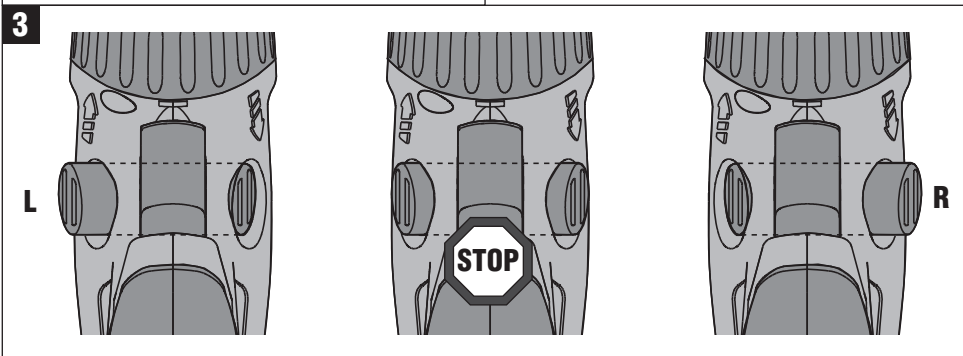
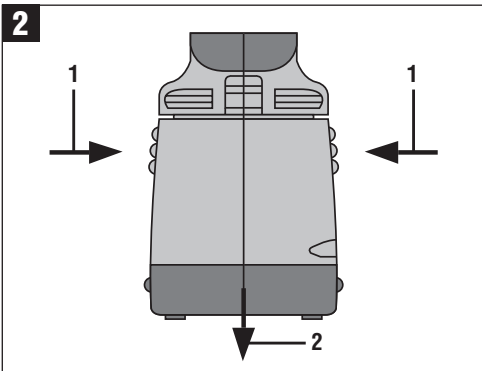


1



ETL listed to US and Canadian safety standards
Homologué ETL (conforme aux normes de sécurité américaines et canadiennes)
Producto homologado según normas de seguridad americanas y canadienses
Produto homologado de acordo com as normas de segurança americanas e canadianas





ORIGINAL OPERATING INSTRUCTIONS

SF(H) 181-A cordless drill/driver / cordless hammer drill/driver

en

It is essential that the operating instructions are read before the power tool is operated for the first time.

Always keep these operating instructions together with the power tool.

Ensure that the operating instructions are with the power tool when it is given to other persons.

Contents	Page
1. General information	1
2. Description	2
3. Insert tools, accessories	3
4. Technical data	3
5. Safety instructions	4
6. Before use	7
7. Operation	7
8. Care and maintenance	9
9. Troubleshooting	10
10. Disposal	10
11. Manufacturer's warranty - tools	11

1 These numbers refer to the corresponding illustrations. The illustrations can be found on the fold-out cover pages. Keep these pages open while studying the operating instructions.

In these operating instructions, the designation "power tool" refers to the SF 181-A cordless drill/driver or SFH 181-A cordless hammer drill/driver.

Operating controls and parts **1**

- ① Quick-release chuck
- ② Torque and operating mode setting ring
- ③ Side handle
- ④ Control switch (with electronic speed control)
- ⑤ Forward / reverse switch
- ⑥ Motor brake
- ⑦ Two- or three-speed gear selector switch
- ⑧ Type identification plate
- ⑨ Grip
- ⑩ Battery release button (2 buttons)

1. General information

1.1 Safety notices and their meaning

DANGER

Draws attention to imminent danger that could lead to serious bodily injury or fatality.

WARNING

Draws attention to a potentially dangerous situation that could lead to serious personal injury or fatality.

CAUTION

Draws attention to a potentially dangerous situation that could lead to slight personal injury or damage to the equipment or other property.

NOTE

Draws attention to an instruction or other useful information.

1.2 Explanation of the pictograms and other information

Warning signs



General warning



Warning: electricity



Warning: caustic substances

Obligation signs



Wear eye protection



Wear a hard hat



Wear ear protection



Wear protective gloves



Wear breathing protection

Symbols



Read the operating instructions before use



Return waste material for recycling.



Volts



Direct current

n_0

Rated speed under no load

/min

Revolutions per minute



Hammer drilling



Drilling without hammering

Location of identification data on the power tool

The type designation can be found on the type identification plate and the serial number on the side of the motor housing. Make a note of this data in your operating instructions and always refer to it when making an enquiry to your Hilti representative or service department.

Type: _____

Serial no.: _____

2. Description

2.1 Use of the product as directed

The SF 181-A is a hand-held, cordless drill/driver for driving and removing screws and for drilling in steel, wood and masonry.

The SFH 181-A is a hand-held, cordless hammer drill/driver for driving and removing screws, for drilling in steel, wood and masonry and for hammer drilling in lightweight concrete and masonry.

Working on materials hazardous to the health (e.g. asbestos) is not permissible.

Do not use the battery as a power source for other unspecified appliances.

Modification of the power tool or tampering with its parts is not permissible.

To avoid the risk of injury, use only genuine Hilti accessories and insert tools.

Observe the information printed in the operating instructions concerning operation, care and maintenance.

The power tool is designed for professional use and may be operated, serviced and maintained only by trained, authorized personnel. This personnel must be informed of any special hazards that may be encountered. The power tool and its ancillary equipment may present hazards when used incorrectly by untrained personnel or when used not as directed.

The working environment may be as follows: construction site, workshop, renovation, conversion or new construction.

2.2 Chuck

Quick-release chuck

2.3 Switches

Speed-control switch
Function selector switch
Forward / reverse switch

2.4 Grip

Pivotable side handle with depth gauge
Vibration-absorbing grip

2.5 Lubrication

Oil lubrication

2.6 The items supplied include (toolbox versions):

- 1 Power tool with side handle
- 2 SFB 180 or SFB 185 battery
- 1 Charger for NiCd and NiMH batteries
- 1 Operating instructions
- 1 Hilti toolbox

2.7 The items supplied include (cardboard box versions):

- 1 Power tool with side handle
- 1 Operating instructions

en

3. Insert tools, accessories

Bit holder	S-BH 50
Charger for NiCd and NiMH batteries	SFC 7/18
Charger for NiCd and NiMH batteries	SFC 7/18H
Charger for NiCd and NiMH batteries	C 7/24
Charger for NiCd and NiMH batteries	TCU7/36
Charger for NiCd and NiMH batteries	C7/36-ACS
Battery	SFB 180
Battery	SFB 185
Chuck	Quick-release chuck
Quick-release chuck clamping range	Ø 1.5...13 mm
Drilling diameter range in wood (soft)	Ø 1.5...32 mm
Drilling diameter range in wood (hard)	Ø 1.5...30 mm
Drilling dia. range in metal	Ø 1.5...13 mm
Wood screws (max. length 120 mm)	Ø 3.5...10 mm
HUD anchors (max. length 120 mm)	Ø 5...10 mm

4. Technical data

Right of technical changes reserved.

Power tool	SF 181-A	SFH 181-A
Rated voltage (DC voltage)	18 V	18 V
Weight in accordance with EPTA procedure 01/2003	2.7 kg	2.9 kg
Dimensions (L x W x H)	239 mm x 83 mm x 267 mm	264 mm x 83 mm x 270 mm
Speed in 1st gear	0...390/min	0...370/min
Speed in 2nd gear	0...1,455/min	0...1,380/min
Speed in 3rd gear		0...2,000/min

Power tool	SF 181-A	SFH 181-A
Torque with tool set to drilling symbol (soft/flexible joint)	Max. 36 Nm	Max. 36 Nm
Torque range (15 settings)	2...12 Nm	2...12 Nm
Hammering speed		36,000/min
Hammer drilling in brick and masonry (max. length 100 mm)		Ø 1.5...12 mm
Battery	SFB 180	SFB 185
Rated voltage	18 V	18 V
Capacity	2 Ah	3 Ah
Energy content	36 Wh	54 Wh
Weight	1.11 kg (2.4 lb)	1.22 kg (2.7 lb)
Temperature monitoring	Yes	Yes
Type of cell	Nickel-cadmium SUB C size	Nickel-metal hydride SUB C size
No. of cells	15	15

5. Safety instructions

NOTE

The safety rules in section 5.1 contain all general safety rules for power tools. The instructions at 5.1.2a, 5.1.2d, 5.1.2e and 5.1.3c are not relevant to this power tool.

5.1 General safety warnings

WARNING! Read all instructions! Failure to follow all instructions listed below may result in electric shock, fire and/or serious injury. The term "power tool" in all of the warnings listed below refers to your mains-operated (corded) power tool or battery-operated (cordless) power tool. **SAVE THESE INSTRUCTIONS.**

5.1.1 Work area

- Keep work area clean and well lit.** Cluttered or dark areas invite accidents.
- Do not operate power tools in explosive atmospheres, such as in the presence of flammable liquids, gases or dust.** Power tools create sparks which may ignite the dust or fumes.
- Keep children and bystanders away while operating a power tool.** Distractions can cause you to lose control.

5.1.2 Electrical safety

- Power tool plugs must match the outlet. Never modify the plug in any way. Do not use any**

adapter plugs with earthed (grounded) power tools. Unmodified plugs and matching outlets will reduce risk of electric shock.

- Avoid body contact with earthed or grounded surfaces such as pipes, radiators, ranges and refrigerators.** There is an increased risk of electric shock if your body is earthed or grounded.
- Do not expose power tools to rain or wet conditions.** Water entering a power tool will increase the risk of electric shock.
- Do not abuse the cord. Never use the cord for carrying, pulling or unplugging the power tool. Keep cord away from heat, oil, sharp edges or moving parts.** Damaged or entangled cords increase the risk of electric shock.
- When operating a power tool outdoors, use an extension cord suitable for outdoor use.** Use of a cord suitable for outdoor use reduces the risk of electric shock.

5.1.3 Personal safety

- Stay alert, watch what you are doing and use common sense when operating a power tool. Do not use a power tool while you are tired or under the influence of drugs, alcohol or medication.** A moment of inattention while operating power tools may result in serious personal injury.

- b) **Use safety equipment. Always wear eye protection.** Safety equipment such as dust mask, non-skid safety shoes, hard hat, or hearing protection used for appropriate conditions will reduce personal injuries.
- c) **Avoid accidental starting. Ensure the switch is in the off-position before plugging in.** Carrying power tools with your finger on the switch or plugging in power tools that have the switch on invites accidents.
- d) **Remove any adjusting key or wrench before turning the power tool on.** A wrench or a key left attached to a rotating part of the power tool may result in personal injury.
- e) **Do not overreach. Keep proper footing and balance at all times.** This enables better control of the power tool in unexpected situations.
- f) **Dress properly. Do not wear loose clothing or jewellery. Keep your hair, clothing and gloves away from moving parts.** Loose clothes, jewellery or long hair can be caught in moving parts.
- g) **If devices are provided for the connection of dust extraction and collection facilities, ensure these are connected and properly used.** Use of these devices can reduce dust-related hazards.

5.1.4 Power tool use and care

- a) **Do not force the power tool. Use the correct power tool for your application.** The correct power tool will do the job better and safer at the rate for which it was designed.
- b) **Do not use the power tool if the switch does not turn it on and off.** Any power tool that cannot be controlled with the switch is dangerous and must be repaired.
- c) **Disconnect the plug from the power source and/or the battery pack from the power tool before making any adjustments, changing accessories, or storing power tools.** Such preventive safety measures reduce the risk of starting the power tool accidentally.
- d) **Store idle power tools out of the reach of children and do not allow persons unfamiliar with the power tool or these instructions to operate the power tool.** Power tools are dangerous in the hands of untrained users.
- e) **Maintain power tools. Check for misalignment or binding of moving parts, breakage of parts and any other condition that may affect the power tool's operation. If damaged, have the power**

tool repaired before use. Many accidents are caused by poorly maintained power tools.

- f) **Keep cutting tools sharp and clean.** Properly maintained cutting tools with sharp cutting edges are less likely to bind and are easier to control.
- g) **Use the power tool, accessories and tool bits etc., in accordance with these instructions and in the manner intended for the particular type of power tool, taking into account the working conditions and the work to be performed.** Use of the power tool for operations different from those intended could result in a hazardous situation.

5.1.5 Battery tool use and care

- a) **Ensure the switch is in the off position before inserting battery pack.** Inserting the battery pack into power tools that have the switch on invites accidents.
- b) **Recharge only with the charger specified by the manufacturer.** A charger that is suitable for one type of battery pack may create a risk of fire when used with another battery pack.
- c) **Use power tools only with specifically designated battery packs.** Use of any other battery packs may create a risk of injury and fire.
- d) **When battery pack is not in use, keep it away from other metal objects like paper clips, coins, keys, nails, screws, or other small metal objects that can make a connection from one terminal to another.** Shorting the battery terminals together may cause burns or a fire.
- e) **Under abusive conditions, liquid may be ejected from the battery, avoid contact. If contact accidentally occurs, flush with water. If liquid contacts eyes, additionally seek medical help.** Liquid ejected from the battery may cause irritation or burns.

5.1.6 Service

- a) **Have your power tool serviced by a qualified repair person using only identical replacement parts.** This will ensure that the safety of the power tool is maintained.

5.2 Additional safety precautions

5.2.1 Personal safety

- a) **Wear ear protectors with impact drills.** Exposure to noise can cause hearing loss.

- b) **Use auxiliary handles supplied with the tool.** Loss of control can cause personal injury.
- c) **Hold power tool by insulated gripping surfaces when performing an operation where the fastener may contact hidden wiring or its own cord.** Fasteners contacting a “live” wire may make exposed metal parts of the power tool “live” and could give the operator an electric shock.
- d) **Always hold the power tool securely with both hands on the grips provided. Keep the grips dry, clean and free from oil and grease.**
- e) **Breathing protection must be worn if the power tool is used without a dust removal system for work that creates dust.**
- f) **Improve the blood circulation in your fingers by relaxing your hands and exercising your fingers during breaks between working.**
- g) **Avoid touching rotating parts. Switch the power tool on only after bringing it into position at the workpiece.** Touching rotating parts, especially rotating insert tools, may lead to injury.
- h) **Children must be instructed not to play with the appliance.**
- i) **The appliance is not intended for use by children, by debilitated persons or those who have received no instruction or training.**

5.2.2 Power tool use and care

- a) **Secure the workpiece. Use clamps or a vice to secure the workpiece.** The workpiece is thus held more securely than by hand and both hands remain free to operate the power tool.
- b) **Check that the insert tools used are compatible with the chuck system and that they are secured in the chuck correctly.**

5.2.3 Electrical safety



Before beginning work, check the working area (e.g. using a metal detector) to ensure that no concealed electric cables or gas and water pipes are present. External metal parts of the power tool

may become live, for example, when an electric cable is damaged accidentally. This presents a serious risk of electric shock.

5.2.4 Work area

- a) **Ensure that the workplace is well lit.**
- b) **Ensure that the workplace is well ventilated.** Exposure to dust at a poorly ventilated workplace may result in damage to the health.
- c) **WARNING: Some dust created by grinding, sanding, cutting and drilling contains chemicals known to cause cancer, birth defects, infertility or other reproductive harm; or serious and permanent respiratory or other injury.** Some examples of these chemicals are: lead from lead-based paints, crystalline silica from bricks, concrete and other masonry products and natural stone, arsenic and chromium from chemically-treated lumber. Your risk from these exposures varies, depending on how often you do this type of work. **To reduce exposure to these chemicals, the operator and bystanders should work in a well-ventilated area, work with approved safety equipment, such as respiratory protection appropriate for the type of dust generated, and designed to filter out microscopic particles and direct dust away from the face and body. Avoid prolonged contact with dust. Wear protective clothing and wash exposed areas with soap and water.** Allowing dust to get into your mouth, eyes, or to remain on your skin may promote absorption of harmful chemicals.

5.2.5 Personal protective equipment



The user and any other persons in the vicinity must wear ANSI Z87.1-approved eye protection, a hard hat, ear protection, protective gloves and breathing protection while the machine is in use.

6. Before use



6.1 Battery use and care

NOTE

Battery performance drops at low temperatures. Never use the battery until the cells become fully discharged. Change to the second battery as soon as a drop in performance is noticed. Recharge the battery immediately so that it is ready for reuse.

Store the battery in a cool, dry place. Never store the battery where it is exposed to direct sunlight or sources of heat, e.g. on heaters / radiators or behind a motor vehicle windscreen. Batteries that have reached the end of their life must be disposed of safely and correctly to avoid environmental pollution.

6.2 Charging the battery



CAUTION

Use only Hilti SFB 180 or SFB 185 batteries.

6.2.1 Charging a new battery for the first time

A new battery must be charged correctly for the first time before use. This will ensure that the cells form correctly. Incorrect initial charging may have a

permanent, negative effect on battery capacity. Please refer to the applicable battery charger's operating instructions for information about initial charging.

6.2.2 Charging a previously used battery

CAUTION

Use only the Hilti chargers listed under "Accessories".

Ensure that the outer surfaces of the battery are clean and dry before inserting it in the corresponding charger.

Read the operating instructions for the charger for further information about the charging procedure.

6.3 Fitting the battery to the power tool

CAUTION

Before fitting the battery, check that the power tool is switched off and that the safety lock is engaged (forward/reverse switch in the middle position). Use only the Hilti batteries approved for use with this power tool.

1. Push the battery into the power tool from below until it is heard to engage with a click.
2. **CAUTION A falling battery may present a risk of injury to yourself or others.**
Check that the battery is seated securely in the power tool.

6.4 Removing the battery 2

1. Press both battery release buttons.
2. Pull the battery downwards out of the power tool.

7. Operation

7.1 Setting forward or reverse rotation 3

NOTE

The forward / reverse switch is used to select the direction of rotation of the drive spindle. An interlock prevents switching while the motor is running. The control switch is locked when the forward / reverse switch is in the middle position. Push the forward / reverse switch to the right (power tool held in working direction) to select forward rotation. Push the forward / reverse switch to the left (power tool held in working direction) to select reverse rotation.

7.2 Speed selection

7.2.1 Speed selection using the 2-speed switch (SF 181-A) 4

NOTE

The mechanical 2-speed gear switch can be used to select the speed range required. Speeds with fully-charged battery: 1st gear: 0-390 r.p.m. or 2nd gear: 0-1455 r.p.m.

7.2.2 Speed selection using the 3-speed switch (SFH 181-A) 5

NOTE

The mechanical 3-speed gear switch can be used to select the speed range required. Speeds with fully-charged battery: 1st gear: 0-370 r.p.m., 2nd gear: 0-1380 r.p.m., 3rd gear: 0-2000 r.p.m.

7.3 Switching on / off

CAUTION

To avoid damage to the power tool, the switch must be released (switched off) if the motor is stalled for more than 2-3 seconds. After stalling, the power tool must be allowed to run for 2 minutes under no load.

The speed of the power tool can be controlled smoothly (increased from zero to maximum) by pressing the control switch gradually.

7.4 Drilling

CAUTION

In the event of the drill bit sticking, the power tool will pivot about its own axis. Always use the power tool with the side handle fitted and hold it securely with both hands.

CAUTION

Use clamps or a vice to secure the workpiece. The workpiece is thus held more securely than by hand and both hands remain free to operate the power tool.

7.4.1 Adjusting the side handle 6

1. Release the side handle clamping band by turning the handle counterclockwise.
2. Pivot the side handle into the desired position.
3. Tighten the side handle securely by turning the grip clockwise.

7.4.2 Fitting the drill bit

1. Set the forward / reverse switch to the middle position or remove the battery from the power tool.
2. Check that the connection end of the drill bit is clean. Clean the connection end if necessary.
3. Insert the drill bit in the chuck and then turn the chuck sleeve until tight.
4. Check that the drill bit is held securely (check by pulling).

7.4.3 Drilling

1. Move the forward / reverse switch to the "Forward" position.
2. Turn the torque and operating mode setting ring to the drilling symbol.

7.4.4 Removing the drill bit

CAUTION

Wear protective gloves when changing drill bits as the drill bit may get hot during use.

1. Set the forward / reverse switch to the middle position or remove the battery from the power tool.
2. Open the quick-release chuck.
3. Pull the drill bit out of the chuck.

7.5 Hammer drilling (SFH 181-A)

7.5.1 Fitting the drill bit

1. Set the forward / reverse switch to the middle position or remove the battery from the power tool.
2. Check that the connection end of the drill bit is clean. Clean the connection end if necessary.
3. Insert the drill bit in the chuck and then turn the chuck sleeve until tight.
4. Check that the drill bit is held securely (check by pulling).

7.5.2 Hammer drilling

CAUTION

Use the side handle. Hold the power tool securely with both hands, one hand on the grip and the other on the side handle.

1. Move the forward / reverse switch to the "Forward" position.
2. Turn the torque and operating mode setting ring to the hammer drilling symbol.

7.5.3 Removing the drill bit

CAUTION

Wear protective gloves when changing drill bits as the drill bit may get hot during use.

1. Set the forward / reverse switch to the middle position or remove the battery from the power tool.

2. Open the quick-release chuck.
3. Pull the drill bit out of the chuck.

7.6 Screwdriving

7.6.1 Fitting the bit / bit holder

1. Set the forward / reverse switch to the middle position or remove the battery from the power tool.
2. Fit the bit holder in the chuck.
3. Fit the bit in the bit holder.

7.6.2 Screwdriving

1. Set the forward / reverse switch to the desired direction of rotation.
2. Turn the torque and operating mode setting ring to the desired torque value.

7.6.3 Removing the bit / bit holder

1. Set the forward / reverse switch to the middle position or remove the battery from the power tool.
2. Remove the bit from the bit holder.
3. Remove the bit holder from the chuck.

en

8. Care and maintenance

CAUTION

Before beginning cleaning, remove the battery from the power tool in order to prevent unintentional starting.

8.1 Care of insert tools

Clean off dirt and dust deposits adhering to the insert tools and protect them from corrosion by wiping the insert tools from time to time with an oil-soaked rag.

8.2 Care of the power tool

CAUTION

Keep the power tool, especially its grip surfaces, clean and free from oil and grease. Do not use cleaning agents which contain silicone.

The outer casing of the power tool is made from impact-resistant plastic. Sections of the grip are made from a synthetic rubber material.

Never operate the power tool when the ventilation slots are blocked. Clean the ventilation slots carefully using a dry brush. Do not permit foreign objects to enter the interior of the power tool. Clean the outside of the power tool at regular intervals with a slightly damp cloth. Do not use a spray, steam pressure cleaning equipment or running water for cleaning. This may negatively affect the electrical safety of the power tool.

8.3 Maintenance

WARNING

Repairs to the electrical section of the power tool may be carried out only by trained electrical specialists.

Check all external parts of the power tool for damage at regular intervals and check that all controls operate faultlessly. Do not operate the power tool if parts are damaged or when the controls do not function faultlessly. If necessary, the power tool should be repaired by Hilti Service.

8.4 Care of the battery

Keep the electrical contacts free from dust, oil and grease. If necessary, use a clean cloth to clean the contact surfaces. Do not continue to operate the power tool until the battery is completely discharged as this may damage the battery cells. Recharge the battery as soon as a drop in performance is noticed. The battery should be given a conditioning charge at monthly intervals or, at the latest, when battery capacity drops significantly. With the Hilti C 7/24, SFC 7/18, SFC 7/18H and TCU 7/36 chargers, this is done by charging the battery for 24 hours in normal mode or for 12 hours in conditioning mode. The Hilti C 7/36-ACS charger determines automatically when an initial charge or conditioning charge is necessary. If battery capacity is still unsatisfactory after the conditioning charge, we recommend that the battery is returned to Hilti for diagnosis.

8.5 Checking the power tool after care and maintenance

After carrying out care and maintenance work on the power tool, check that all protective and safety devices are fitted and that they function faultlessly.

9. Troubleshooting

Fault	Possible cause	Remedy
The power tool doesn't run.	The battery is discharged or fitted incorrectly.	The battery must be heard to engage with a click or, respectively, needs to be charged.
	Electrical fault.	Remove the battery from the power tool and contact Hilti Service.
No hammering action.	Check the position of the torque and operating mode setting ring.	Turn the torque and operating mode setting ring to the hammer drilling symbol.
The on / off switch can't be pressed, i.e. the switch is locked.	The forward / reverse switch is in the middle position (transport lock engaged).	Push the forward / reverse switch to the left or right.
Running speed suddenly drops considerably.	The battery is discharged.	Change the battery and recharge the discharged battery.
The battery runs down more quickly than usual.	Battery condition is not optimal.	Have battery condition diagnosed by Hilti Service or replace with a new battery.
The battery doesn't engage with an audible click.	The retaining lugs on the battery are dirty.	Clean the retaining lugs and check that the battery engages securely. Contact Hilti Service if the problem persists.
The power tool or the battery become very warm.	Electrical fault.	Switch the power tool off immediately, remove the battery and contact Hilti Service.
	The power tool has been overloaded (application limits exceeded).	Use the right power tool for the job (don't use a low-powered tool for heavy work).

10. Disposal

CAUTION

Improper disposal of the equipment may have serious consequences: The burning of plastic components generates toxic fumes which may present a health hazard. Batteries may explode if damaged or exposed to very high temperatures, causing poisoning, burns, acid burns or environmental pollution. Careless disposal may permit unauthorized and improper use of the equipment. This may result in serious personal injury, injury to third parties and pollution of the environment.

CAUTION

Dispose of defective batteries without delay. Keep them out of reach of children. Do not attempt to open or dismantle batteries and do not dispose of them by incineration.

CAUTION

Dispose of the batteries in accordance with national regulations or return them to Hilti.



Most of the materials from which Hilti power tools or appliances are manufactured can be recycled. The materials must be correctly separated before they can be recycled. In many countries, Hilti has already made arrangements for taking back your old power tools or appliances for recycling. Please ask your Hilti customer service department or Hilti representative for further information.

en



Batteries

The Hilti SFB 180 NiCd battery contains nickel-cadmium cells.

The Hilti SFB 185 NiMH battery contains nickel metal hydride cells.

Both you and Hilti bear responsibility for the recycling of worn-out batteries in keeping with environmental protection requirements.

Do not throw worn-out batteries into household waste, a fire or water.

11. Manufacturer's warranty - tools

Hilti warrants that the tool supplied is free of defects in material and workmanship. This warranty is valid so long as the tool is operated and handled correctly, cleaned and serviced properly and in accordance with the Hilti Operating Instructions, and the technical system is maintained. This means that only original Hilti consumables, components and spare parts may be used in the tool.

This warranty provides the free-of-charge repair or replacement of defective parts only over the entire lifespan of the tool. Parts requiring repair or replacement as a result of normal wear and tear are not covered by this warranty.

Additional claims are excluded, unless stringent national rules prohibit such exclusion. In particular, Hilti is not obligated for direct, indirect, incidental or consequential damages, losses or expenses in connection with, or by reason of, the use of, or inability to use the tool for any purpose. Implied warranties of merchantability or fitness for a particular purpose are specifically excluded.

For repair or replacement, send the tool or related parts immediately upon discovery of the defect to the address of the local Hilti marketing organization provided.

This constitutes Hilti's entire obligation with regard to warranty and supersedes all prior or contemporaneous comments and oral or written agreements concerning warranties.

SF(H) 181-A Visseuse-perceuse sur accu / Visseuse-perceuse à percussion sur accu

Avant de mettre l'appareil en marche, lire impérativement son mode d'emploi et bien respecter les consignes.

Le présent mode d'emploi doit toujours accompagner l'appareil.

Ne pas prêter ou céder l'appareil à un autre utilisateur sans lui fournir le mode d'emploi.

Sommaire	Page
1. Consignes générales	13
2. Description	14
3. Outils, accessoires	15
4. Caractéristiques techniques	15
5. Consignes de sécurité	16
6. Mise en service	20
7. Utilisation	20
8. Nettoyage et entretien	22
9. Guide de dépannage	23
10. Recyclage	24
11. Garantie constructeur des appareils	24

1 Les chiffres renvoient aux illustrations se trouvant sur les pages rabattables. Pour lire le mode d'emploi, rabattre ces pages de manière à voir les illustrations. Dans le présent mode d'emploi, « l'appareil » désigne toujours la visseuse-perceuse sur accu SF 181-A ou la visseuse-perceuse à percussion sur accu SFH 181-A avec bloc-accu encliqueté.

Organes de commande et éléments de l'appareil **1**

- ① Mandrin à serrage rapide
- ② Bague de réglage du couple de rotation et de la fonction
- ③ Poignée latérale
- ④ Interrupteur de commande (avec variateur de vitesse électronique)
- ⑤ Inverseur du sens de rotation droite / gauche
- ⑥ Arrêt du moteur
- ⑦ Commutateur à 2 ou 3 vitesses
- ⑧ Plaque signalétique
- ⑨ Poignée
- ⑩ Bouton de déverrouillage du bloc-accu (2 éléments)

1. Consignes générales

1.1 Termes signalant un danger

DANGER

Pour un danger imminent qui peut entraîner de graves blessures corporelles ou la mort.

AVERTISSEMENT

Pour attirer l'attention sur une situation pouvant présenter des dangers susceptibles d'entraîner des blessures corporelles graves ou la mort.

ATTENTION

Pour attirer l'attention sur une situation pouvant présenter des dangers susceptibles d'entraîner des blessures corporelles légères ou des dégâts matériels.

REMARQUE

Pour des conseils d'utilisation et autres informations utiles.

1.2 Explication des pictogrammes et autres symboles d'avertissement

Symboles d'avertissement



Avertissement danger général



Avertissement tension électrique dangereuse



Avertissement matières corrosives

Symboles d'obligation



Porter des
lunettes de
protection



Porter un
casque de
protection



Porter un
casque
antibruit



Porter des
gants de
protection



Porter un
masque
respiratoire
léger

Symboles



Lire le mode
d'emploi avant
d'utiliser
l'appareil



Recycler les
déchets



Volt



Courant
continu



Vitesse
nominale à
vide



Tours par
minute



Perçage avec
perussion



Perçage sans
perussion

Emplacement des détails d'identification sur l'appareil

La désignation du modèle figure sur la plaque signalétique et le numéro de série sur le côté du carter moteur. Inscrive ces renseignements dans le mode d'emploi et toujours s'y référer pour communiquer avec notre représentant ou agence Hilti.

Type :

N° de série :

2. Description

2.1 Utilisation conforme à l'usage prévu

La SF 181-A est une visseuse-perceuse sur accu à guidage manuel servant à serrer et desserrer de la visserie, percer dans de l'acier, du bois ou de la maçonnerie.

La SFH 181-A est une visseuse-perceuse à percussion sur accu à guidage manuel servant à serrer et desserrer de la visserie, percer dans de l'acier, du bois ou de la maçonnerie, et à percer avec percussion dans du béton léger ou de la maçonnerie.

Ne pas travailler sur des matériaux susceptibles de nuire à la santé (par ex. amiante).

Ne pas utiliser les blocs-accus comme source d'énergie pour d'autres appareils non spécifiés.

Toute manipulation ou modification de l'appareil est interdite.

Pour éviter tout risque de blessure, utiliser uniquement les accessoires et outils Hilti d'origine.

Bien respecter les consignes concernant l'utilisation, le nettoyage et l'entretien de l'appareil qui figurent dans le présent mode d'emploi.

L'appareil est destiné aux utilisateurs professionnels et ne doit être utilisé, entretenu et réparé que par un personnel agréé, formé à cet effet. Ce personnel doit être au courant des dangers inhérents à l'utilisation de l'appareil. L'appareil et ses accessoires peuvent s'avérer dangereux s'ils sont utilisés de manière incorrecte par un personnel non qualifié ou de manière non conforme à l'usage prévu.

L'environnement de travail peut être : chantiers, ateliers, sites de rénovation, sites de constructions

nouvelles ou de constructions en cours de réaménagement.

2.2 Porte-outil

Mandrin à serrage rapide

2.3 Interrupteur

Interrupteur de commande réglable
Sélecteur de fonctions
Interrupteur D/G

2.4 Poignée

Poignée latérale orientable avec butée de profondeur
Poignée anti-vibration

2.5 Lubrification

Lubrification à l'huile

2.6 L'équipement livré dans le coffret comprend :

- 1 Appareil avec poignée latérale
- 2 Bloc-accu SFB 180 ou SFB 185
- 1 Chargeur pour blocs-accus NiCd et NiMH
- 1 Mode d'emploi
- 1 Coffret Hilti

2.7 L'équipement livré dans l'emballage en carton comprend :

- 1 Appareil avec poignée latérale
- 1 Mode d'emploi

fr

3. Outils, accessoires

Porte-embout	S-BH 50
Chargeur pour blocs-accus NiCd et NiMH	SFC 7/18
Chargeur pour blocs-accus NiCd et NiMH	SFC 7/18H
Chargeur pour blocs-accus NiCd et NiMH	C 7/24
Chargeur pour blocs-accus NiCd et NiMH	TCU7/36
Chargeur pour blocs-accus NiCd et NiMH	C7/36-ACS
Bloc-accu	SFB 180
Bloc-accu	SFB 185
Porte-outil	Mandrin à serrage rapide
Plage de serrage du mandrin à serrage rapide	Ø 1,5...13 mm
Plage de perçage dans le bois (mou)	Ø 1,5...32 mm
Plage de perçage dans le bois (dur)	Ø 1,5...30 mm
Plage de perçage dans le métal	Ø 1,5...13 mm
Vis à bois (longueur max. 120 mm)	Ø 3,5...10 mm
Bride d'ancrage HUD (longueur max. 120 mm)	Ø 5...10 mm

4. Caractéristiques techniques

Sous réserve de modifications techniques !

Appareil	SF 181-A	SFH 181-A
Tension de référence (tension continue)	18 V	18 V
Poids selon la procédure EPTA 01/2003	2,7 kg	2,9 kg

Appareil	SF 181-A	SFH 181-A
Dimensions (L x l x h)	239 mm x 83 mm x 267 mm	264 mm x 83 mm x 270 mm
Vitesse de rotation 1ère vitesse	0...390/min	0...370/min
Vitesse de rotation 2ème vitesse	0...1.455/min	0...1.380/min
Vitesse de rotation 3ème vitesse		0...2.000/min
Couple de rotation (cas de vissage facile) réglage Symbole de perçage	Max. 36 Nm	Max. 36 Nm
Réglage du couple (15 niveaux)	2...12 Nm	2...12 Nm
Cadence de percussion		36.000/min
Perçage à percussion dans de la brique et de la maçonnerie (longueur max. 100 mm)		Ø 1,5...12 mm

Bloc-accu	SFB 180	SFB 185
Tension de référence	18 V	18 V
Capacité	2 Ah	3 Ah
Consommation d'énergie électrique	36 Wh	54 Wh
Poids	1,11 kg (2,4 lb)	1,22 kg (2,7 lb)
Surveillance de la température	oui	oui
Type de cellules	Nickel-Cadmium Forme SUB C	Nickel-Hydrure métallique Forme SUB C
Bloc de cellules	15 éléments	15 éléments

5. Consignes de sécurité

REMARQUE

Les indications de sécurité du chapitre 5.1 contiennent toutes les indications générales de sécurité pour les appareils électriques. Les indications stipulées sous 5.1.2a, 5.1.2d, 5.1.2e et 5.1.3c ne s'appliquent pas à ces appareils.

5.1 Consignes de sécurité générales

ATTENTION ! Lire toutes les indications. Le non-respect des instructions indiquées ci-après peut entraîner un choc électrique, un incendie et / ou de graves blessures sur les personnes. La notion d'« outil électroportatif » mentionnée par la suite se rapporte à des outils électriques raccordés au secteur (avec câble de raccordement) et à des outils électriques à batterie (sans câble de raccordement). GARDER PRÉCIEUSEMENT CES INSTRUCTIONS DE SÉCURITÉ.

5.1.1 Place de travail

- Maintenez l'endroit de travail propre et bien éclairé.** Un lieu de travail en désordre ou mal éclairé augmente le risque d'accidents.
- N'utilisez pas l'appareil dans un environnement présentant des risques d'explosion et où se trouvent des liquides, des gaz ou poussières inflammables.** Les outils électroportatifs génèrent des étincelles risquant d'enflammer les poussières ou les vapeurs.
- Tenez les enfants et autres personnes éloignés durant l'utilisation de l'outil électroportatif.** En cas d'inattention vous risquez de perdre le contrôle de l'appareil.

5.1.2 Sécurité relative au système électrique

- a) **La fiche de secteur de l'outil électroportatif doit être appropriée à la prise de courant. Ne modifiez en aucun cas la fiche. N'utilisez pas de fiches d'adaptateur avec des appareils avec mise à la terre.** Les fiches non modifiées et les prises de courant appropriées réduisent le risque de choc électrique.
- b) **Évitez le contact physique avec des surfaces mises à la terre tels que tuyaux, radiateurs, cuisinières et réfrigérateurs.** Il y a un risque élevé de choc électrique au cas où votre corps serait relié à la terre.
- c) **N'exposez pas l'outil électroportatif à la pluie ou à l'humidité.** La pénétration d'eau dans un outil électroportatif augmente le risque d'un choc électrique.
- d) **N'utilisez pas le câble à d'autres fins que celles prévues, n'utilisez pas le câble pour porter l'appareil ou pour l'accrocher ou encore pour le débrancher de la prise de courant. Maintenez le câble éloigné des sources de chaleur, des parties grasses, des bords tranchants ou des parties de l'appareil en rotation.** Un câble endommagé ou torsadé augmente le risque d'un choc électrique.
- e) **Au cas où vous utiliseriez l'outil électroportatif à l'extérieur, utilisez une rallonge autorisée homologuée pour les applications extérieures.** L'utilisation d'une rallonge électrique homologuée pour les applications extérieures réduit le risque d'un choc électrique.

5.1.3 Sécurité des personnes

- a) **Restez vigilant, surveillez ce que vous faites. Faites preuve de bon sens en utilisant l'outil électroportatif. N'utilisez pas l'appareil lorsque vous êtes fatigué ou après avoir consommé de l'alcool, des drogues ou avoir pris des médicaments.** Un moment d'inattention lors de l'utilisation de l'appareil peut entraîner de graves blessures sur les personnes.
- b) **Portez des équipements de protection. Portez toujours des lunettes de protection.** Le fait de porter des équipements de protection personnels tels que masque anti-poussière, chaussures de sécurité antidérapantes, casque de protection ou protection acoustique suivant le travail à effectuer, réduit le risque de blessures.
- c) **Évitez une mise en service par mégarde. Assurez-vous que l'interrupteur est effective-**

ment en position d'arrêt avant de retirer la fiche de la prise de courant. Le fait de porter l'appareil avec le doigt sur l'interrupteur ou de brancher l'appareil sur la source de courant lorsque l'interrupteur est en position de fonctionnement, peut entraîner des accidents.

- d) **Enlevez tout outil de réglage ou toute clé avant de mettre l'appareil en fonctionnement.** Une clé ou un outil se trouvant sur une partie en rotation peut causer des blessures.
- e) **Ne surestimez pas vos capacités. Veillez à garder toujours une position stable et équilibrée.** Ceci vous permet de mieux contrôler l'appareil dans des situations inattendues.
- f) **Portez des vêtements appropriés. Ne portez pas de vêtements amples ni de bijoux. Maintenez cheveux, vêtements et gants éloignés des parties de l'appareil en rotation.** Des vêtements amples, des bijoux ou des cheveux longs peuvent être happés par des pièces en mouvement.
- g) **Si des dispositifs servant à aspirer ou à recueillir les poussières doivent être utilisés, vérifiez que ceux-ci soient effectivement raccordés et qu'ils sont correctement utilisés.** L'utilisation de tels dispositifs réduit les dangers dus aux poussières.

5.1.4 Utilisation et emploi soigneux de l'outil électroportatif

- a) **Ne surchargez pas l'appareil. Utilisez l'outil électroportatif approprié au travail à effectuer.** Avec l'outil électroportatif approprié, vous travaillerez mieux et avec plus de sécurité à la vitesse pour laquelle il est prévu.
- b) **N'utilisez pas un outil électroportatif dont l'interrupteur est défectueux.** Un outil électroportatif qui ne peut plus être mis en ou hors fonctionnement est dangereux et doit être réparé.
- c) **Retirez la fiche de la prise de courant et/ou le bloc-accu de l'appareil avant d'effectuer des réglages sur l'appareil, de changer les accessoires, ou de ranger l'appareil.** Cette mesure de précaution empêche une mise en fonctionnement par mégarde.
- d) **Gardez les outils électroportatifs non utilisés hors de portée des enfants. Ne permettez pas l'utilisation de l'appareil à des personnes qui ne se sont pas familiarisées avec celui-ci ou qui n'ont pas lu ces instructions.** Les outils électroportatifs sont dangereux lorsqu'ils sont utilisés par des personnes non initiées.

- e) **Prenez soin des outils électroportatifs. Vérifiez que les parties en mouvement fonctionnent correctement et qu'elles ne soient pas coincées, et contrôlez si des parties sont cassées ou endommagées de telle sorte que le bon fonctionnement de l'appareil s'en trouve entravé. Faites réparer les parties endommagées avant d'utiliser l'appareil.** De nombreux accidents sont dus à des outils électroportatifs mal entretenus.
- f) **Maintenez les outils de coupe aiguisés et propres.** Des outils soigneusement entretenus avec des bords tranchants bien aiguisés se coincent moins souvent et peuvent être guidés plus facilement.
- g) **Utilisez les outils électroportatifs, les accessoires, les outils à monter etc. conformément à ces instructions et aux prescriptions en vigueur pour ce type d'appareil. Tenez compte également des conditions de travail et du travail à effectuer.** L'utilisation des outils électroportatifs à d'autres fins que celles prévues peut entraîner des situations dangereuses.

5.1.5 Utilisation et emploi soigneux des appareils sur accu

- a) **Vérifiez que l'appareil est effectivement en position d'arrêt avant de monter l'accumulateur.** Le fait de monter un accumulateur dans un outil électroportatif en position de fonctionnement peut causer des accidents.
- b) **Ne chargez les accumulateurs que dans des chargeurs recommandés par le fabricant.** Un chargeur approprié à un type spécifique d'accumulateurs peut engendrer un risque d'incendie lorsqu'il est utilisé avec d'autres accumulateurs.
- c) **Dans les outils électroportatifs, n'utilisez que les accumulateurs spécialement prévus pour celui-ci.** L'utilisation de tout autre accumulateur peut entraîner des blessures et des risques d'incendie.
- d) **Tenez l'accumulateur non utilisé à l'écart de tous objets métalliques tels qu'agrafes, pièces de monnaie, clés, clous, vis ou autres, étant donné qu'un pontage peut provoquer un court-circuit.** Un court-circuit entre les contacts d'accu peut provoquer des brûlures ou un incendie.
- e) **En cas d'utilisation abusive, du liquide peut sortir de l'accumulateur. Évitez tout contact avec ce liquide. En cas de contact par mégarde, rincez soigneusement avec de l'eau. Au cas où le liquide rentrerait dans les yeux, consultez en plus un médecin.** Le liquide qui sort de l'accumulateur

peut entraîner des irritations de la peau ou causer des brûlures.

5.1.6 Service

- a) **Ne faites réparer l'outil électroportatif que par un personnel qualifié et seulement avec des pièces de rechange d'origine.** Ceci permet d'assurer la sécurité de l'appareil.

5.2 Consignes de sécurité supplémentaires

5.2.1 Sécurité des personnes

- a) **Porter un casque antibruit lors de l'utilisation de perceuses à percussion.** Le bruit peut entraîner des pertes auditives.
- b) **Utiliser la poignée supplémentaire livrée avec l'appareil.** La perte de contrôle peut entraîner des blessures.
- c) **Tenir fermement l'appareil par les poignées isolées si des câbles ou gaines électriques cachés ou le câble d'alimentation risquent d'être endommagés par l'appareil.** En cas de contact avec des câbles ou gaines conductrices, les pièces métalliques non protégées de l'appareil peuvent être mises sous tension et l'utilisateur est alors exposé à un risque de choc électrique.
- d) **Toujours tenir l'appareil des deux mains par les poignées prévues à cet effet. Veiller à ce que les poignées soient toujours sèches, propres et exemptes de traces de graisse et d'huile.**
- e) **Si l'appareil fonctionne sans dispositif d'aspiration de la poussière et si le travail effectué dégage de la poussière, porter un masque respiratoire léger.**
- f) **Faire régulièrement des pauses et des exercices de relaxation et de massage des doigts pour favoriser l'irrigation sanguine dans les doigts.**
- g) **Éviter de toucher des pièces en rotation. Brancher l'appareil uniquement dans l'espace de travail.** Le fait de toucher des pièces en rotation, en particulier des outils en rotation, risque d'entraîner des blessures.
- h) **Avertir les enfants et veiller à ce qu'ils ne jouent pas avec l'appareil.**
- i) **L'appareil n'est pas destiné à être utilisé par des enfants ou des personnes affaiblies sans encadrement.**

5.2.2 Utilisation et emploi soigneux de l'outil électroportatif

- a) **Bien fixer la pièce. Pour ce faire, utiliser un dispositif de serrage ou un étau, pour maintenir la pièce travaillée en place.** Elle sera ainsi mieux tenue qu'à la main, et les deux mains restent alors libres pour commander l'appareil.
- b) **Vérifier que les outils sont bien munis du système d'emmanchement adapté à l'appareil et qu'ils sont toujours correctement verrouillés dans le porte-outil.**

5.2.3 Sécurité relative au système électrique



Avant d'entamer le travail, vérifier, par exemple à l'aide d'un détecteur de métaux, qu'il n'y a pas de câbles ou gaines électriques, tuyaux de gaz ou d'eau cachés dans la zone d'intervention. Toutes pièces métalliques extérieures de l'appareil peuvent devenir conductrices, par exemple, lorsqu'un câble électrique est endommagé par inadvertance. Cela peut entraîner une grave danger d'électrocution.

5.2.4 Place de travail

- a) **Veiller à ce que la place de travail soit bien éclairée.**
- b) **Veiller à ce que la place de travail soit bien ventilée.** Des places de travail mal ventilées peuvent nuire à la santé du fait de la présence excessive de poussière.
- c) **AVERTISSEMENT : Certains types de poussières générées par ébarbage, meulage, tronçonnage et perçage contiennent des substances chimiques, connues pour être cancérigènes, qui risquent d'entraîner des malformations congénitales, une infertilité, des lésions permanentes des voies respiratoires ou d'autres**

natures. Quelques-unes de ces substances chimiques sont le plomb contenu dans les peintures au plomb, le quartz cristallin provenant des briques, du béton, de la maçonnerie ou de pierres naturelles, ou encore l'arsenic ou le chrome provenant de bois de construction traités chimiquement. Les risques pour l'utilisateur varient en fonction de la fréquence de ces travaux. **Afin de réduire la charge de ces substances chimiques, l'utilisateur et les tierces personnes doivent travailler dans une pièce bien ventilée et utiliser les équipements de sécurité homologués. Porter un masque respiratoire adapté au type de poussière déterminé, qui filtre les particules microscopiques et permet d'éviter tout contact de la poussière avec le visage ou le corps. Éviter tout contact prolongé avec la poussière. Porter des vêtements de protection et laver à l'eau et au savon la portion de peau qui a été en contact avec la poussière.** L'absorption de poussières par la bouche ou les yeux, ou le contact prolongé des poussières avec la peau, risque de favoriser l'absorption de substances chimiques nocives pour la santé.

5.2.5 Équipement de protection individuelle



L'utilisateur et les personnes se trouvant à proximité pendant l'utilisation de l'appareil doivent porter des lunettes de protection adaptées homologuées selon ANSI Z87.1, un casque de protection, un casque antibruit, des gants de protection et un masque respiratoire léger.

6. Mise en service



6.1 Utilisation soigneuse des blocs-accus

REMARQUE

À basses températures, la puissance du bloc-accu diminue. Ne pas utiliser le bloc-accu jusqu'à ce que l'appareil s'arrête complètement. Remplacer le bloc-accu à temps par le bloc-accu de rechange. Recharger le bloc-accu immédiatement pour qu'il soit de nouveau disponible pour le prochain remplacement.

Stocker si possible le bloc-accu dans un endroit sec et frais. Ne jamais conserver le bloc-accu dans un endroit exposé au soleil, sur un appareil de chauffage ou derrière des vitres. Une fois arrivés au terme de leur durée de service, les blocs-accus doivent être éliminés conformément à la réglementation en vigueur et en toute sécurité.

6.2 Charge du bloc-accu.



ATTENTION

Utiliser uniquement les blocs-accus Hilti SFB 180 et SFB 185.

6.2.1 Recharge initiale d'un nouveau bloc-accu

Avant d'utiliser un bloc-accu neuf, procéder impérativement à une charge initiale correcte du bloc-accu afin que les cellules puissent se former de manière optimale. La capacité d'un bloc-accu neuf qui n'aurait

pas été chargé correctement la première fois peut se trouver affectée durablement. Avant de recharger le bloc-accu pour la première fois, lire le mode d'emploi du chargeur correspondant.

6.2.2 Recharge d'un bloc-accu utilisé

ATTENTION

Utiliser uniquement les chargeurs Hilti prévus, spécifiés sous « Accessoires ».

Vérifier que les surfaces extérieures du bloc-accu sont propres et sèches avant de l'insérer dans le chargeur approprié.

Avant de recharger le bloc-accu, lire le mode d'emploi du chargeur.

6.3 Insérer le bloc-accu dans l'appareil

ATTENTION

Avant de réinsérer le bloc-accu, s'assurer que l'appareil est bien sur arrêt et que le blocage pendant la marche est activé (inverseur du sens de rotation droite / gauche en position médiane). Utiliser uniquement les blocs-accus Hilti homologués pour l'appareil.

1. Insérer le bloc-accu dans l'appareil par le bas, jusqu'à ce qu'il s'encliquette avec un « clic » audible.
2. **ATTENTION** Toute chute du bloc-accu peut mettre l'opérateur ou des tierces personnes en danger.
Vérifier que le bloc-accu est solidement fixé dans l'appareil.

6.4 Retrait du bloc-accu 2

1. Enfoncer les deux boutons de déverrouillage.
2. Tirer le bloc-accu vers le bas hors de l'appareil.

7. Utilisation

7.1 Sélection du sens de rotation droite / gauche 3

REMARQUE

L'inverseur de sens de rotation droite / gauche permet de choisir le sens de rotation du mandrin. Un dispositif de blocage empêche toute inversion du sens de rotation lorsque le moteur tourne. Dans la position médiane, l'interrupteur de commande est blo-

qué. Pousser l'inverseur du sens de rotation droite / gauche vers la droite (dans le sens effectif de travail de l'appareil) pour régler le sens de rotation droite. Pousser l'inverseur du sens de rotation droite / gauche vers la gauche (dans le sens effectif de travail de l'appareil) pour régler le sens de rotation gauche.

7.2 Sélection de la vitesse de rotation

7.2.1 Sélection de la vitesse de rotation à l'aide du commutateur à 2 vitesses (SF 181-A) 4

REMARQUE

Le commutateur mécanique à 2 vitesses permet de sélectionner la vitesse de rotation. Vitesse de rotation lorsque le bloc-accu est complètement chargé. 1ère vitesse : 0-390 tr/min ou 2ème vitesse : 0-1455 tr/min.

7.2.2 Sélection de la vitesse de rotation à l'aide du commutateur à 3 vitesses (SFH 181-A) 5

REMARQUE

Le commutateur mécanique à 3 vitesses permet de sélectionner la vitesse de rotation. Vitesse de rotation lorsque le bloc-accu est complètement chargé. 1ère vitesse : 0-370 tr/min, 2ème vitesse : 0-1380 tr/min ou 3ème vitesse : 0-2000 tr/min.

7.3 Mise en marche / Arrêt

ATTENTION

Si le moteur est stoppé par blocage pendant plus de 2-3 secondes, arrêter l'appareil pour éviter qu'il ne soit endommagé. Après un blocage, il convient de faire tourner l'appareil à vide pendant 2 minutes.

En appuyant lentement sur l'interrupteur de commande, la vitesse de rotation peut être réglée progressivement de 0 à la vitesse maximale.

7.4 Perçage

ATTENTION

Lorsque la mèche se bloque, l'appareil est dévié latéralement. Toujours utiliser l'appareil avec la poignée latérale et maintenir fermement l'appareil avec les deux mains.

ATTENTION

Pour ce faire, utiliser un dispositif de serrage ou un étau, pour maintenir la pièce travaillée en place. Elle sera ainsi mieux tenue qu'à la main, et les deux mains restent alors libres pour commander l'appareil.

7.4.1 Réglage de la poignée latérale 6

1. Ouvrir le dispositif de serrage de la poignée latérale en tournant la poignée.
2. Tourner la poignée latérale dans la position souhaitée.

3. Serrer la poignée latérale à fond en tournant la poignée.

7.4.2 Mise en place de la mèche

1. Mettre l'inverseur du sens de rotation droite / gauche sur la position médiane ou sortir le bloc-accu de l'appareil.
2. Vérifier que l'emmanchement de l'outil est bien propre. Nettoyer l'emmanchement si nécessaire.
3. Insérer l'outil dans le porte-outil et bien serrer le mandrin à serrage rapide.
4. Vérifier que l'outil est bien serré en essayant de le tirer.

7.4.3 Perçage

1. Mettre l'inverseur du sens de rotation droite / gauche sur rotation droite.
2. Tourner la bague de réglage du couple de rotation et de la fonction sur le symbole « Perçage ».

7.4.4 Retrait de la mèche

ATTENTION

Se munir de gants de protection pour changer d'outil, car l'outil peut être très chaud après utilisation.

1. Mettre l'inverseur du sens de rotation droite / gauche sur la position médiane ou sortir le bloc-accu de l'appareil.
2. Ouvrir le mandrin à serrage rapide.
3. Tirer la mèche hors du mandrin.

7.5 Perçage à percussion (SFH 181-A)

7.5.1 Mise en place de la mèche

1. Mettre l'inverseur du sens de rotation droite / gauche sur la position médiane ou sortir le bloc-accu de l'appareil.
2. Vérifier que l'emmanchement de l'outil est bien propre. Nettoyer l'emmanchement si nécessaire.
3. Insérer l'outil dans le porte-outil et bien serrer le mandrin à serrage rapide.
4. Vérifier que l'outil est bien serré en essayant de le tirer.

7.5.2 Perçage à percussion

ATTENTION

Utiliser la poignée latérale et maintenir l'appareil des deux mains par la poignée principale et la poignée latérale.

1. Mettre l'inverseur du sens de rotation droite / gauche sur rotation droite.
2. Tourner la bague de réglage du couple de rotation et de la fonction sur le symbole « Perçage à percussion ».

7.5.3 Retrait de la mèche

ATTENTION

Se munir de gants de protection pour changer d'outil, car l'outil peut être très chaud après utilisation.

1. Mettre l'inverseur du sens de rotation droite / gauche sur la position médiane ou sortir le bloc-accu de l'appareil.
2. Ouvrir le mandrin à serrage rapide.
3. Tirer la mèche hors du mandrin.

7.6 Vissages

7.6.1 Mise en place de l'embout / du porte-embout

1. Mettre l'inverseur du sens de rotation droite / gauche sur la position médiane ou sortir le bloc-accu de l'appareil.

2. Insérer le porte-embout dans le porte-outil.
3. Insérer l'embout dans le porte-embout.

7.6.2 Vissages

1. Sélectionner le sens de rotation souhaité à l'aide de l'inverseur du sens de rotation droite / gauche.
2. Sélectionner le couple de rotation à l'aide de la bague de réglage du couple de rotation et de la fonction.

7.6.3 Retrait de l'embout / du porte-embout

1. Mettre l'inverseur du sens de rotation droite / gauche sur la position médiane ou sortir le bloc-accu de l'appareil.
2. Sortir l'embout du porte-embout.
3. Sortir le porte-embout du porte-outil.

8. Nettoyage et entretien

ATTENTION

Avant tout travail de nettoyage, retirer le bloc-accu pour éviter toute mise en marche intempestive de l'appareil !

8.1 Nettoyage des outils

Enlever toute trace de saleté et protéger la surface des outils contre la corrosion, en les frottant à l'occasion avec un chiffon imbibé d'huile.

8.2 Nettoyage de l'appareil

ATTENTION

Tenir l'appareil, en particulier les surfaces de préhension, sec, propre et exempt d'huile et de graisse. Ne pas utiliser de nettoyeurs à base de silicone.

La coque extérieure du boîtier de l'appareil est fabriquée en plastique résilient. La partie préhensible est en élastomère.

Ne jamais faire fonctionner l'appareil si ses ouïes d'aération sont bouchées ! Les nettoyer avec précaution au moyen d'une brosse sèche. Éviter toute

pénétration de corps étrangers à l'intérieur de l'appareil. Nettoyer régulièrement l'extérieur de l'appareil avec un chiffon légèrement humide. N'utiliser ni pulvérisateur, ni appareil à jet de vapeur, ni eau courante pour nettoyer l'appareil, afin de garantir sa sûreté électrique.

8.3 Entretien

AVERTISSEMENT

Toute réparation des pièces électriques ne doit être effectuée que par un électricien qualifié.

Vérifier régulièrement toutes les pièces extérieures de l'appareil pour voir si elles ne sont pas abîmées et s'assurer que tous les organes de commande fonctionnent correctement. Ne pas utiliser l'appareil si des pièces sont abîmées ou si des organes de commande ne fonctionnent pas parfaitement. Faire réparer l'appareil par le S.A.V. Hilti.

8.4 Entretien du bloc-accu

Les surfaces des contacts doivent toujours être exemptes de toutes traces de poussière et lubri-

fiant. Si nécessaire, les nettoyer avec un chiffon propre. Ne pas utiliser l'appareil jusqu'à la décharge complète du bloc-accu : il y a risque d'endommagement des éléments. Dès que les performances de l'appareil diminuent nettement, recharger le bloc-accu. Effectuer une fois par mois, ou au plus tard lorsque la capacité de l'accu diminue nettement, une recharge de régénération. Dans le cas des chargeurs Hilti C 7/24, SFC 7/18, SFC 7/18H et TCU 7/36, charger les blocs-accus pendant 24 heures en mode normal ou pendant 12 heures à l'aide de la fonction

de recharge de régénération. Dans le cas du chargeur C 7/36-ACS, le chargeur reconnaît automatiquement une charge initiale ou une recharge normale. Si la régénération ne donne pas le résultat escompté, nous vous conseillons de demander un diagnostic à Hilti.

8.5 Contrôle après des travaux de nettoyage et d'entretien

Après des travaux de nettoyage et d'entretien, vérifier si tous les équipements de protection sont bien en place et fonctionnent parfaitement.

fr

9. Guide de dépannage

Défauts	Causes possibles	Solutions
L'appareil ne fonctionne pas.	Le bloc-accu n'est pas complètement encliqueté ou est vide.	Vérifier que le bloc-accu s'encliquette avec un « clic » audible. Le charger si nécessaire.
	Erreur d'origine électrique.	Sortir le bloc-accu de l'appareil et contacter le S.A.V. Hilti.
Absence de percussion.	Contrôler la bague de réglage du couple de rotation et de la fonction.	Tourner la bague de réglage du couple de rotation et de la fonction sur le symbole « Perçage à percussion ».
Impossible d'enfoncer l'interrupteur Marche / Arrêt ou l'interrupteur est bloqué.	Inverseur du sens de rotation droite / gauche sur la position médiane (position de transport)	Pousser l'inverseur du sens de rotation droite / gauche vers la droite ou vers la gauche.
La vitesse de rotation chute brusquement.	Le bloc-accu est déchargé.	Changer de bloc-accu et charger le bloc-accu vide.
Le bloc-accu se vide plus rapidement que d'habitude.	L'état du bloc-accu n'est pas optimal.	Diagnostic par le S.A.V. Hilti ou remplacement de bloc-accu.
Le bloc-accu ne s'encliquette pas avec un « clic » audible.	Ergots d'encliquetage encrassés sur le bloc-accu.	Nettoyer les ergots d'encliquetage et insérer le bloc-accu jusqu'au « clic ». S'adresser au S.A.V. Hilti si le problème subsiste.
Important dégagement de chaleur dans l'appareil ou dans le bloc-accu.	Défaut électrique.	Arrêter immédiatement l'appareil, sortir le bloc-accu de l'appareil et s'adresser au S.A.V. Hilti.
	Charge excessive de l'appareil (limite d'emploi dépassée).	Utiliser un appareil approprié pour ce type de travail.

10. Recyclage

ATTENTION

En cas de recyclage incorrect du matériel, les risques suivants peuvent se présenter : la combustion de pièces en plastique risque de dégager des fumées et gaz toxiques nocifs pour la santé. Les piles abîmées ou fortement chauffées peuvent exploser, causer des empoisonnements ou intoxications, des brûlures (notamment par acides), voire risquent de polluer l'environnement. En cas de recyclage sans précautions, des personnes non autorisées risquent d'utiliser le matériel de manière incorrecte, voire de se blesser sérieusement, d'infliger de graves blessures à des tierces personnes et de polluer l'environnement.

ATTENTION

Éliminer immédiatement les blocs-accus défectueux. Les tenir hors de portée des enfants. Ne pas démonter les blocs-accus ni les jeter au feu.

ATTENTION

Éliminer les blocs-accus conformément aux prescriptions nationales en vigueur ou les renvoyer à Hilti.



Les appareils Hilti sont fabriqués en grande partie avec des matériaux recyclables dont la réutilisation exige un tri correct. Dans de nombreux pays, Hilti est déjà équipé pour reprendre votre ancien appareil afin d'en recycler les composants. Consultez le service clients Hilti ou votre conseiller commercial.



Blocs-accus

Les blocs-accus Hilti SFB 180 NiCd sont constitués de cellules Nickel-Cadmium.

Les blocs-accus Hilti SFB 185 NiMH sont constitués de cellules Nickel-Hydrure métallique.

Il est tant de la responsabilité de l'utilisateur que de la nôtre de garantir un recyclage non polluant des blocs-accus usagés.

Ne pas jeter les blocs-accus usagés dans les ordures ménagères, au feu, ni dans l'eau.

11. Garantie constructeur des appareils

Hilti garantit l'appareil contre tout vice de matières et de fabrication. Cette garantie s'applique à condition que l'appareil soit utilisé et manipulé, nettoyé et entretenu correctement, en conformité avec le mode d'emploi Hilti, et que l'intégrité technique soit préservée, c'est-à-dire sous réserve de l'utilisation exclusive de consommables, accessoires et pièces de rechange d'origine Hilti.

Cette garantie se limite strictement à la réparation gratuite ou au remplacement gracieux des pièces défectueuses pendant toute la durée de vie de l'appareil. Elle ne couvre pas les pièces soumises à une usure normale.

Toutes autres revendications sont exclues pour autant que des dispositions légales nationales impératives ne s'y opposent pas. En particulier, Hilti ne saurait être tenu pour responsable de toutes détériorations, pertes ou dépenses directes, indirectes, accidentelles ou consécutives, en rapport avec l'utilisation ou dues à une incapacité à utiliser l'appareil dans quelque but que ce soit. Hilti exclut en particulier les garanties implicites concernant l'utilisation et l'aptitude dans un but bien précis.

Pour toute réparation ou tout échange, renvoyer l'appareil ou les pièces concernées au réseau de

vente Hilti compétent, sans délai, dès constatation du défaut.

La présente garantie couvre toutes les obligations d'Hilti et annule et remplace toutes les déclarations antérieures ou actuelles, de même que tous accords oraux ou écrits concernant des garanties.

fr

Atornilladora taladradora a batería / Atornilladora taladradora de percusión a batería SF(H) 181-A

Lea detenidamente el manual de instrucciones antes de la puesta en servicio.

Conserve siempre este manual de instrucciones cerca de la herramienta.

No entregue nunca la herramienta a otras personas sin adjuntar el manual de instrucciones.

Índice	Página
1. Indicaciones generales	27
2. Descripción	28
3. Herramientas, accesorios	29
4. Datos técnicos	29
5. Indicaciones de seguridad	30
6. Puesta en servicio	33
7. Manejo	34
8. Cuidado y mantenimiento	36
9. Localización de averías	37
10. Reciclaje	37
11. Garantía del fabricante de las herramientas	38

1 Los números hacen referencia a las ilustraciones del texto que pueden encontrarse en las páginas desplegables correspondientes. Manténgalas desplegadas mientras estudia el manual de instrucciones. En este manual de instrucciones, "la herramienta" se refiere siempre a la atornilladora con batería SF 181-A o a la atornilladora de percusión con batería SFH 181-A.

Elementos de mando y componentes de la herramienta **1**

- 1 Portabrocas de cierre rápido
- 2 Anillo de ajuste para par de giro y función
- 3 Empuñadura lateral
- 4 Conmutador de control (con control electrónico de velocidad)
- 5 Interruptor de conmutación derecha/izquierda
- 6 Parada del motor
- 7 Selector de velocidad (2 o 3)
- 8 Placa de identificación
- 9 Empuñadura
- 10 Botón de desbloqueo de la batería (2 unidades)

1. Indicaciones generales

1.1 Señales de peligro y significado

PELIGRO

Término utilizado para un peligro inminente que puede ocasionar lesiones graves o incluso la muerte.

ADVERTENCIA

Término utilizado para una posible situación peligrosa que podría ocasionar lesiones graves o fatales.

PRECAUCIÓN

Término utilizado para una posible situación peligrosa que podría ocasionar lesiones o daños materiales leves.

INDICACIÓN

Término utilizado para indicaciones de uso y demás información de interés.

1.2 Explicación de los pictogramas y otras indicaciones

Símbolos de advertencia



Advertencia de peligro en general



Advertencia de tensión eléctrica peligrosa



Advertencia de sustancias corrosivas

Señales prescriptivas



Utilizar protección para los ojos



Utilizar casco de protección



Utilizar protección para los oídos



Utilizar guantes de protección



Utilizar mascarilla ligera

Símbolos



Leer el manual de instrucciones antes del uso



Reciclar los materiales usados



Voltios



Corriente continua



Número de referencia de revoluciones en vacío



Revoluciones por minuto



Taladrar con martillo



Taladrar sin percusión

Ubicación de los datos identificativos de la herramienta

La denominación del modelo está en la placa de identificación y el número de serie en el lateral de la carcasa del motor. Anote estos datos en su manual de instrucciones y menciónelos siempre que realice alguna consulta a nuestros representantes o al departamento de servicio técnico.

Modelo:

N.º de serie:

2. Descripción

2.1 Uso conforme a las prescripciones

La SF 181-A es una taladradora con batería de guiado manual para atornillar y aflojar tornillos y para taladrar en acero, madera y mampostería.

La SFH 181-A es una taladradora de percusión con batería de guiado manual para atornillar y aflojar tornillos, así como para taladrar en acero, madera y mampostería, y taladrar con percusión en mampostería y en hormigón ligero.

No deben trabajarse materiales nocivos para la salud (p.ej., amianto).

No utilice las baterías como fuente de energía para consumidores no especificados.

No está permitido efectuar manipulaciones o modificaciones en la herramienta.

A fin de evitar el riesgo de lesiones, utilice exclusivamente accesorios y herramientas de Hilti.

Siga las indicaciones relativas al manejo, cuidado y mantenimiento que se describen en el manual de instrucciones.

Esta herramienta ha sido diseñada para el usuario profesional y solo debe ser manejada, conservada y reparada por personal autorizado y debidamente formado. Este personal debe estar especialmente instruido en lo referente a los riesgos de uso. La herramienta y sus dispositivos auxiliares pueden conllevar riesgos para el usuario en caso de manejarse de forma inadecuada por personal no cualificado o utilizarse para usos diferentes a los que están destinados.

El entorno de trabajo puede ser: obra, taller, renovaciones, mudanzas y obra nueva.

2.2 Portaútiles

Portabrocas de cierre rápido

2.3 Interruptor

Conmutador de control regulable
Interruptor selector de funciones
Interruptor derecha/izquierda

2.4 Empuñadura

Empuñadura lateral basculable con tope de profundidad
Empuñadura reductora de vibraciones

2.5 Lubricación

Lubricación a base de aceite

2.6 El suministro incluido en el maletín se compone de:

- 1 Herramienta con empuñadura lateral
- 2 Baterías SFB 180 o SFB 185
- 1 Cargador para baterías de NiCd y NiMH
- 1 Manual de instrucciones
- 1 Maletín Hilti

2.7 El suministro incluido en el embalaje cartón se compone de:

- 1 Herramienta con empuñadura lateral
- 1 Manual de instrucciones

es

3. Herramientas, accesorios

Adaptador de puntas	S-BH 50
Cargador para baterías de NiCd y NiMH	SFC 7/18
Cargador para baterías de NiCd y NiMH	SFC 7/18H
Cargador para baterías de NiCd y NiMH	C 7/24
Cargador para baterías de NiCd y NiMH	TCU7/36
Cargador para baterías de NiCd y NiMH	C7/36-ACS
Batería	SFB 180
Batería	SFB 185
Portátiles	Portabrocas de cierre rápido
Capacidad de sujeción del portabrocas de cierre rápido	Ø 1,5...13 mm
Margen de perforación en madera (blanda)	Ø 1,5...32 mm
Margen de perforación en madera (dura)	Ø 1,5...30 mm
Margen de perforación en metal	Ø 1,5...13 mm
Tornillos para madera (longitud máx. 120 mm)	Ø 3,5...10 mm
Tacos HUD (longitud máx. 120 mm)	Ø 5...10 mm

4. Datos técnicos

Reservado el derecho a introducir modificaciones técnicas.

Herramienta	SF 181-A	SFH 181-A
Voltaje nominal (corriente continua)	18 V	18 V
Peso según el procedimiento EPTA 01/2003	2,7 kg	2,9 kg
Dimensiones (L x An x Al)	239 mm x 83 mm x 267 mm	264 mm x 83 mm x 270 mm

Herramienta	SF 181-A	SFH 181-A
Número de revoluciones de la 1ª velocidad	0...390/min	0...370/min
Número de revoluciones de la 2ª velocidad	0...1.455/min	0...1.380/min
Número de revoluciones de la 3ª velocidad		0...2.000/min
Par de giro (atornillado suave) ajuste del símbolo de taladrar	Máx. 36 Nm	Máx. 36 Nm
Ajuste del par de giro (15 niveles)	2...12 Nm	2...12 Nm
Número de impactos		36.000/min
Taladrado con percusión en ladrillos y mampostería (longitud máx. 100 mm)		Ø 1,5...12 mm

Batería	SFB 180	SFB 185
Voltaje nominal	18 V	18 V
Capacidad	2 Ah	3 Ah
Índice de energía	36 Wh	54 Wh
Peso	1,11 kg (2.4 lb)	1,22 kg (2.7 lb)
Control de temperatura	sí	sí
Tipo de célula	Forma constructiva de níquel-cadmio SUB C	Forma constructiva de níquel-metal hidruro SUB C
Número de células	15 unidades	15 unidades

5. Indicaciones de seguridad

INDICACIÓN

Las indicaciones de seguridad del capítulo 5.1 incluyen todas las indicaciones de seguridad generales para herramientas eléctricas. Las indicaciones según el 5.1.2a, 5.1.2d, 5.1.2e y 5.1.3c no son relevantes para estas herramientas.

5.1 Indicaciones generales de seguridad

¡ATENCIÓN! Lea íntegramente estas instrucciones. En caso de no atenerse a las instrucciones de seguridad que se describen a continuación, podría provocarse una descarga eléctrica, incendio y/o lesiones graves. El término "herramienta eléctrica" empleado en las siguientes instrucciones se refiere a su herramienta eléctrica portátil, ya sea con cable de red o, sin cable, en caso de ser accionada por batería. **GUARDE ESTAS INSTRUCCIONES EN UN LUGAR SEGURO.**

5.1.1 Lugar de trabajo

- Mantenga su área de trabajo limpia y bien iluminada.** El desorden y una iluminación deficiente en las zonas de trabajo pueden provocar accidentes.
- No utilice la herramienta en un entorno con peligro de explosión, en el que se encuentren combustibles líquidos, gases o material en polvo.** Las herramientas eléctricas producen chispas que pueden llegar a inflamar los materiales en polvo o vapores.
- Mantenga alejados a los niños y otras personas de su puesto de trabajo al emplear la herramienta eléctrica.** Una distracción le puede hacer perder el control sobre la herramienta.

5.1.2 Seguridad eléctrica

- a) **El enchufe de la herramienta debe corresponder a la toma de corriente utilizada. No está permitido modificar el enchufe en forma alguna. No utilice enchufes adaptadores para las herramientas con puesta a tierra.** Los enchufes sin modificar adecuados a las respectivas tomas de corriente reducen el riesgo de descarga eléctrica.
- b) **Evite el contacto corporal con superficies que tengan puesta a tierra, como pueden ser tubos, calefacciones, cocinas y frigoríficos.** El riesgo a quedar expuesto a una descarga eléctrica es mayor si su cuerpo tiene contacto con el suelo.
- c) **No exponga las herramientas eléctricas a la lluvia y evite que penetren líquidos en su interior.** El riesgo de recibir descargas eléctricas aumenta si penetra agua en la herramienta eléctrica.
- d) **No utilice el cable de red para transportar o colgar la herramienta ni tire de él para extraer el enchufe de la toma de corriente. Mantenga el cable de red alejado de fuentes de calor, aceite, aristas afiladas o piezas móviles de la herramienta.** Los cables de red dañados o enredados pueden provocar descargas eléctricas.
- e) **Al trabajar con una herramienta eléctrica al aire libre, utilice únicamente cables de prolongación homologados para su uso en exteriores.** La utilización de un cable de prolongación adecuado para su uso en exteriores reduce el riesgo de una descarga eléctrica.

5.1.3 Seguridad de personas

- a) **Permanezca atento, preste atención durante el trabajo y utilice la herramienta eléctrica con prudencia. No utilice la herramienta eléctrica si está cansado, ni tampoco después de haber consumido alcohol, drogas o medicamentos.** Un momento de descuido al utilizar la herramienta podría conllevar serias lesiones.
- b) **Utilice el equipo de protección adecuado y lleve siempre gafas de protección.** El riesgo de lesiones se reduce considerablemente si, según el tipo y la aplicación de la herramienta eléctrica empleada, se utiliza un equipo de cubierta protectora adecuado como una mascarilla antipolvo, zapatos de seguridad con suela antideslizante, casco o protectores auditivos.
- c) **Evite una puesta en marcha fortuita de la herramienta. Cerciórese de que la herramienta esté desconectada antes de conectarla a la toma de corriente.** Si transporta la herramienta sujetán-

dola por el interruptor de conexión/desconexión o si introduce el enchufe en la toma de corriente con la herramienta conectada, podría producirse un accidente.

- d) **Retire las herramientas de ajuste o llaves fijas antes de conectar la herramienta eléctrica.** Una herramienta o llave colocada en una pieza giratoria puede producir lesiones al ponerse en funcionamiento.
- e) **Actúe con precaución. Procure que la postura sea estable y manténgase siempre en equilibrio.** De esta forma podrá controlar mejor la herramienta eléctrica en caso de presentarse una situación inesperada.
- f) **Utilice ropa adecuada. No utilice vestimenta amplia ni joyas. Mantenga su pelo, vestimenta y guantes alejados de las piezas móviles.** La vestimenta suelta, las joyas y el pelo largo se pueden enganchar con las piezas en movimiento.
- g) **Siempre que sea posible utilizar equipos de aspiración o captación de polvo, asegúrese de que están conectados y de que se utilizan correctamente.** El empleo de estos equipos reduce los riesgos derivados del polvo.

5.1.4 Manipulación y utilización segura de las herramientas eléctricas

- a) **No sobrecargue la herramienta. Utilice la herramienta adecuada para el trabajo que se dispone a realizar.** Con la herramienta apropiada podrá trabajar mejor y de modo más seguro dentro del margen de potencia indicado.
- b) **No utilice herramientas con el interruptor defectuoso.** Las herramientas que no se puedan conectar o desconectar son peligrosas y deben repararse.
- c) **Extraiga el enchufe de la toma de corriente y/o la batería de la herramienta antes de efectuar cualquier ajuste en la herramienta, cambiar accesorios o en caso de no utilizar la herramienta durante un tiempo prolongado.** Esta medida preventiva reduce el riesgo de conexión accidental de la herramienta.
- d) **Guarde las herramientas fuera del alcance de los niños. Evite que personas no familiarizadas con su uso o que no hayan leído este manual de instrucciones utilicen la herramienta.** Las herramientas utilizadas por personas inexpertas son peligrosas.
- e) **Cuide sus herramientas adecuadamente. Compruebe si las piezas móviles de la herramienta**

funcionan correctamente y sin atascarse, y si existen piezas rotas o deterioradas que pudieran afectar al funcionamiento de la herramienta. Encargue la reparación de las piezas defectuosas antes de usar la herramienta. Muchos accidentes son consecuencia de un mantenimiento inadecuado de la herramienta eléctrica.

- f) **Mantenga los útiles limpios y afilados.** Las herramientas de corte bien cuidadas y con aristas afiladas se atascan menos y se guían con más facilidad.
- g) **Utilice herramientas eléctricas, accesorios, útiles, etc. de acuerdo con estas instrucciones y en la manera indicada específicamente para esta herramienta. Para ello, tenga en cuenta las condiciones de trabajo y la tarea que se va a realizar.** El uso de herramientas eléctricas para trabajos diferentes de aquellos para los que han sido concebidas puede resultar peligroso.

5.1.5 Manipulación y utilización segura de las herramientas alimentadas por batería

- a) **Antes de insertar la batería, asegúrese de que la herramienta esté desconectada.** La inserción de la batería en una herramienta eléctrica conectada puede causar accidentes.
- b) **Cargue las baterías únicamente con los cargadores recomendados por el fabricante.** Existe riesgo de incendio al intentar cargar baterías de un tipo diferente al previsto para el cargador.
- c) **Utilice únicamente las baterías previstas para la herramienta eléctrica.** El uso de otro tipo de baterías puede provocar daños e incluso incendios.
- d) **Si no utiliza la batería, guárdela separada de clips, monedas, llaves, clavos, tornillos o demás objetos metálicos que pudieran puentear sus contactos.** El cortocircuito de los contactos de la batería puede causar quemaduras o incendios.
- e) **La utilización inadecuada de la batería puede provocar fugas de líquido. Evite el contacto con este líquido. En caso de contacto accidental, enjuague el área afectada con abundante agua. En caso de contacto con los ojos, acuda además inmediatamente a un médico.** El líquido de la batería puede irritar la piel o producir quemaduras.

5.1.6 Servicio técnico

- a) **Solicite que un profesional lleve a cabo la reparación de su herramienta eléctrica y que utilice exclusivamente piezas de repuesto originales.**

Solamente así se mantiene la seguridad de la herramienta eléctrica.

5.2 Indicaciones de seguridad adicionales

5.2.1 Seguridad de personas

- a) **Utilice protección para los oídos durante el uso de taladradoras de percusión.** El ruido constante puede reducir la capacidad auditiva.
- b) **Utilice las empuñaduras adicionales que se suministran con la herramienta.** La pérdida del control puede causar lesiones.
- c) **Si existe riesgo de dañar cables eléctricos cubiertos o el cable de red con la herramienta, sujete la herramienta por las superficies de la empuñadura provistas con aislante.** El contacto con cables eléctricos puede cargar de electricidad las partes metálicas de la herramienta que no cuentan con protección y el usuario puede quedar expuesto así a un riesgo de descargas eléctricas.
- d) **Sujete siempre la herramienta con ambas manos por las empuñaduras previstas. Mantenga las empuñaduras secas, limpias y sin residuos de aceite o grasa.**
- e) **Si la herramienta se utiliza sin un sistema de aspiración de polvo, debe emplearse una mascarilla ligera al realizar trabajos que generen polvo.**
- f) **Efectúe pausas durante el trabajo, así como ejercicios de relajación y estiramiento de los dedos para mejorar la circulación.**
- g) **Evite tocar las piezas en movimiento. No conecte la herramienta fuera de la zona de trabajo.** Si se tocan piezas en movimiento, en especial herramientas rotativas, pueden ocasionarse lesiones.
- h) **Es conveniente advertir a los niños de que no deben jugar con la herramienta.**
- i) **La herramienta no es apta para el uso por parte de niños o de personas físicamente no preparadas que no tengan la debida instrucción.**

5.2.2 Manipulación y utilización segura de herramientas eléctricas

- a) **Asegure la pieza de trabajo. Utilice dispositivos de sujeción o un tornillo de banco para sujetar la pieza de trabajo.** De esta forma estará sujeta de modo más seguro que con la mano y, por otro lado, se podrán mantener libres ambas manos para el manejo de la herramienta.

- b) Compruebe si los útiles presentan el sistema de inserción adecuado para la herramienta y si están enclavados en el portaútiles conforme a las prescripciones.

5.2.3 Seguridad eléctrica



Compruebe (sirviéndose, por ejemplo, de un detector de metales) antes de empezar a trabajar si la zona de trabajo oculta cables eléctricos, tuberías de gas o cañerías de agua. Las partes metálicas exteriores de la herramienta pueden conducir electricidad si, por ejemplo, se ha dañado accidentalmente una conducción eléctrica. Esto conlleva un peligro grave de descarga eléctrica.

5.2.4 Puesto de trabajo

- a) Procure que haya una buena iluminación en la zona de trabajo.
- b) Procure que haya una buena ventilación del lugar de trabajo. Los lugares de trabajo mal ventilados pueden perjudicar la salud debido a la carga de polvo.
- c) **ADVERTENCIA:** Ciertos tipos de polvo que se producen al realizar trabajos de desbarbado, lijado, tronzado y taladrado, contienen sustancias químicas, conocidas por provocar cáncer, que ocasionan malformaciones en el feto, esterilidad, problemas en las vías respiratorias y otras lesiones. Entre estas sustancias químicas se encuentran el plomo de la pintura de plomo, el cuarzo cristalino derivado de ladrillos secos, hormigón,

mampostería o piedras naturales, o el arsénico y el cromo derivados de la madera de construcción tratada con productos químicos. El nivel de riesgo varía dependiendo de la frecuencia con la que se realizan estos trabajos. **Para reducir los efectos de estas sustancias químicas, tanto el usuario como terceras personas deben trabajar en espacios con buena ventilación y usar siempre equipos de seguridad autorizados. Utilice una mascarilla adecuada para determinados tipos de polvo que pueda filtrar además partículas microscópicas y mantenga alejado el polvo de la cara y el cuerpo. Evite un contacto prolongado con el polvo. Utilice prendas protectoras y lave con agua y jabón las partes de su cuerpo que hayan estado en contacto con el polvo.** La inhalación de partículas de polvo a través de la boca y el contacto prolongado del polvo con la piel y los ojos puede favorecer la ingestión de sustancias químicas perjudiciales para la salud.

5.2.5 Equipo de seguridad personal



El usuario y las personas que se encuentren en las inmediaciones de la zona de uso de la herramienta deberán llevar gafas protectoras, casco de protección, protección para los oídos, guantes de protección y una mascarilla ligera homologados según la norma ANSI Z87.1.

6. Puesta en servicio



6.1 Cuidado de las baterías

INDICACIÓN

El rendimiento de las baterías disminuye a bajas temperaturas. No espere a que la herramienta deje de funcionar para cambiar la batería. Sustitúyala por la segunda batería con la debida antelación. Recargue

enseguida la batería para que esté preparada para el siguiente cambio.

Guarde la batería en un lugar fresco y seco. No guarde nunca la batería en un lugar expuesto al sol, sobre un radiador o detrás de una luna de cristal. Al finalizar su vida útil, las baterías deben eliminarse de forma adecuada y segura respetando el medio ambiente.

6.2 Carga de la batería



PRECAUCIÓN

Utilice solo las baterías Hilti SFB 180 y SFB 185.

6.2.1 Primera carga de una batería

Antes de la puesta en servicio, la nueva batería debe estar completamente cargada para que las células puedan formarse correctamente. Una primera carga incorrecta puede reducir de modo permanente la capacidad de la batería. Antes de cargar la batería por primera vez, lea atentamente el apartado correspondiente del manual de instrucciones del cargador.

6.2.2 Carga de una batería usada

PRECAUCIÓN

Utilice solo los cargadores Hilti que figuran en "Accesorios".

Asegúrese de que la superficie exterior de la batería esté limpia y seca antes de colocarla en el cargador correspondiente.

Antes de cargar la batería, lea atentamente el apartado correspondiente del manual de instrucciones del cargador.

6.3 Colocación de la batería en la herramienta

PRECAUCIÓN

Antes de insertar la batería, asegúrese de que la herramienta está desconectada y el bloqueo de conexión conectado (interruptor de conmutación derecha/izquierda en posición central). Utilice sólo las baterías Hilti previstas para su herramienta.

1. Introduzca la batería en la herramienta empujando desde abajo hasta que quede encajada con un clic audible.
2. **PRECAUCIÓN** La caída de la batería puede provocar lesiones.
Compruebe que la batería está bien colocada en la herramienta.

6.4 Extracción de la batería 2

1. Pulse los dos botones de desbloqueo.
2. Extraiga la batería de la herramienta tirando hacia la parte inferior.

7. Manejo

7.1 Ajuste del giro a la derecha o a la izquierda 3

INDICACIÓN

Con el interruptor de conmutación derecha/izquierda se puede seleccionar el sentido de giro del husillo de la herramienta. Un bloqueo impide la conmutación con el motor en marcha. En la posición central, el conmutador de control está bloqueado. Presione el interruptor de conmutación derecha/izquierda hacia la derecha (en el sentido de uso de la herramienta) para seleccionar el giro a la derecha. Presione el interruptor de conmutación derecha/izquierda hacia la izquierda (en el sentido de uso de la herramienta) para seleccionar el giro a la izquierda.

7.2 Selección de la velocidad

7.2.1 Selección de la velocidad con el selector de dos velocidades (SF 181-A) 4

INDICACIÓN

Con el selector de dos velocidades se puede seleccionar la velocidad: velocidad con carga máxima en la batería. 1ª velocidad: 0-390 rpm o 2ª marcha: 0-1.455 rpm.

7.2.2 Selección de la velocidad con el selector de tres velocidades (SFH 181-A) 5

INDICACIÓN

Con el selector de tres velocidades se puede seleccionar la velocidad: velocidad con carga máxima en la batería. 1ª velocidad: 0-370 rpm, 2ª velocidad: 0-1.380 rpm o 3ª velocidad: 0-2.000 rpm.

7.3 Conexión y desconexión

PRECAUCIÓN

Si el motor se bloquea durante más de 2 o 3 segundos, deberá desconectar la herramienta para que no se produzcan daños en la misma. Tras un bloqueo, deberá dejar en marcha la herramienta durante 2 minutos sin carga.

Presionando lentamente el conmutador de control se puede ajustar la velocidad de forma continua entre 0 y la velocidad máxima.

7.4 Taladrado

PRECAUCIÓN

Cuando se atasca la broca, la herramienta se desvía lateralmente. Utilice la herramienta siempre con la empuñadura lateral y sujete la herramienta con ambas manos.

PRECAUCIÓN

Utilice dispositivos de sujeción o un tornillo de banco para sujetar la pieza de trabajo. De esta forma estará sujeta de modo más seguro que con la mano y además se dispondrá de ambas manos para el manejo de la herramienta.

7.4.1 Ajuste de la empuñadura lateral 6

1. Abra el soporte de la empuñadura lateral girando la empuñadura.
2. Gire la empuñadura lateral hasta la posición deseada.
3. Gire la empuñadura lateral por el mango para fijarla.

7.4.2 Inserción de la broca

1. Conecte el interruptor de conmutación derecha/izquierda en la posición central o retire la batería de la herramienta.
2. Compruebe si está limpio el extremo de inserción del útil. Límpielo en caso necesario.
3. Inserte el útil en el portaútiles y apriete el portabrocas de cierre rápido.

4. Tire del útil para comprobar que está fijado.

7.4.3 Taladrado

1. Conecte el interruptor de conmutación derecha/izquierda en posición de giro a la derecha.
2. Gire el anillo de ajuste del par de apriete y la función hasta el símbolo de taladrar.

7.4.4 Extracción de la broca

PRECAUCIÓN

Utilice los guantes de protección para el cambio de útil, ya que el útil se calienta debido al uso.

1. Conecte el interruptor de conmutación derecha/izquierda en la posición central o retire la batería de la herramienta.
2. Abra el portabrocas de sujeción rápida.
3. Extraiga el útil del portaútiles.

7.5 Taladrado con percusión (SFH 181-A)

7.5.1 Inserción de la broca

1. Conecte el interruptor de conmutación derecha/izquierda en la posición central o retire la batería de la herramienta.
2. Compruebe si está limpio el extremo de inserción del útil. Límpielo en caso necesario.
3. Inserte el útil en el portaútiles y apriete el portabrocas de cierre rápido.
4. Tire del útil para comprobar que está fijado.

7.5.2 Taladrado con percusión

PRECAUCIÓN

Utilice la empuñadura lateral y sostenga la herramienta con ambas manos por la empuñadura y la empuñadura lateral.

1. Conecte el interruptor de conmutación derecha/izquierda en posición de giro a la derecha.
2. Gire el anillo de ajuste del par de giro y la función hasta el símbolo de "taladrar con percusión".

7.5.3 Extracción de la broca

PRECAUCIÓN

Utilice los guantes de protección para el cambio de útil, ya que el útil se calienta debido al uso.

1. Conecte el interruptor de conmutación derecha/izquierda en la posición central o retire la batería de la herramienta.
2. Abra el portabrocas de sujeción rápida.

es

3. Extraiga el útil del portaútiles.

7.6 Atornillado

7.6.1 Inserción de la punta/adaptador de puntas

1. Conecte el interruptor de conmutación derecha/izquierda en la posición central o retire la batería de la herramienta.
2. Inserte el adaptador de puntas en el portaútiles.
3. Inserte la punta en el adaptador.

7.6.2 Atornillado

1. Seleccione el sentido del giro deseado en el interruptor de conmutación derecha/izquierda.
2. Seleccione en el anillo de ajuste el par de giro y la función.

7.6.3 Extracción de la punta/adaptador de puntas

1. Conecte el interruptor de conmutación derecha/izquierda en la posición central o retire la batería de la herramienta.
2. Extraiga la punta del adaptador.
3. Extraiga el adaptador de puntas del portaútiles.

8. Cuidado y mantenimiento

PRECAUCIÓN

Antes de empezar con las tareas de limpieza, extraiga la batería para impedir que la herramienta se ponga en marcha de forma accidental.

8.1 Cuidado de los útiles

Elimine la suciedad adherida y proteja de la corrosión la superficie de sus útiles frotándolos con un paño impregnado de aceite.

8.2 Cuidado de la herramienta

PRECAUCIÓN

Mantenga la herramienta seca, limpia y libre de aceite y grasa, en especial las superficies de la empuñadura. No utilice productos de limpieza que contengan silicona.

La carcasa exterior de la herramienta está fabricada en plástico resistente a los golpes. La empuñadura es de un material elastómero.

No utilice nunca la herramienta si esta tiene obstruidas las ranuras de ventilación. Límpielas cuidadosamente con un cepillo seco. Evite la penetración de cuerpos extraños en el interior de la herramienta. Limpie regularmente el exterior de la herramienta con un paño ligeramente humedecido. No utilice pulverizadores, aparatos de chorro de vapor o agua corriente para la limpieza, ya que podría afectar a la seguridad eléctrica de la herramienta.

8.3 Mantenimiento

ADVERTENCIA

La reparación de los componentes eléctricos solo puede llevarla a cabo un técnico electricista cualificado.

Compruebe regularmente que ninguna de la partes exteriores de la herramienta esté dañada y que todos los elementos de manejo se encuentren en perfecto estado de funcionamiento. No use la herramienta si alguna parte está dañada o si alguno de los elementos de manejo no funciona correctamente. Encargue la reparación de la herramienta al servicio técnico de Hilti.

8.4 Cuidado de las baterías

Mantenga las superficies de contacto sin polvo ni lubricantes. En caso necesario, límpielas con un paño limpio. No trabaje con la herramienta hasta agotar la carga de la batería, las células podrían dañarse. Es necesario cargar la batería tan pronto como disminuya claramente el rendimiento de la herramienta. Lleve a cabo una carga de regeneración cada mes o como mínimo cuando la capacidad de la batería disminuya claramente: para utilizar los cargadores Hilti C 7/24, SFC 7/18, SFC 7/18H y TCU 7/36 recargue la batería de forma habitual unas 24 horas o 12 horas con la función de regeneración. El cargador C 7/36-ACS reconoce automáticamente si es necesario realizar una

primera carga o una carga normal. Si la regeneración no produce el efecto deseado, le recomendamos que encargue a Hilti una revisión de la batería.

8.5 Control después de las tareas de cuidado y mantenimiento

Una vez realizados los trabajos de cuidado y mantenimiento debe comprobarse si están colocados todos los dispositivos de protección y si estos funcionan correctamente.

9. Localización de averías

Fallo	Posible causa	Solución
La herramienta no funciona.	La batería no se ha insertado correctamente o está agotada.	La batería debe encajar con un clic audible o debe cargarse.
	Error en el sistema eléctrico.	Extraiga la batería de la herramienta y póngase en contacto con el servicio de asistencia de Hilti.
Sin percusión.	Controle el anillo de ajuste para el par de giro y la función.	Gire el anillo de ajuste del par de giro y la función hasta el símbolo de "taladrar con percusión".
El interruptor de conexión y desconexión no se puede pulsar o está bloqueado.	Interruptor de conmutación derecha/izquierda en posición central (posición de transporte)	Pulse el interruptor de conmutación izquierda/derecha hacia la dirección deseada.
La velocidad descendiende drásticamente de forma repentina.	La batería está descargada.	Cambie la batería y recargue la batería vacía.
La batería se descarga con mayor rapidez que de costumbre.	Estado de la batería no óptimo.	Sustituya la batería o solicite un diagnóstico al servicio de asistencia de Hilti.
La batería no enclava con un "doble clic" audible.	Suciedad en las lengüetas de la batería.	Limpie las lengüetas y enclave la batería. Póngase en contacto con el servicio de asistencia de Hilti si no consigue solucionar el problema.
Aumento de temperatura considerable de la herramienta o la batería.	Error en el sistema eléctrico.	Desconecte la herramienta de inmediato, extraiga la batería de la herramienta y póngase en contacto con el servicio de asistencia de Hilti.
	La herramienta está sobrecargada (límites de aplicación superados).	Selecione el útil adecuado para la aplicación.

10. Reciclaje

PRECAUCIÓN

Una eliminación no reglamentaria del equipamiento puede tener las siguientes consecuencias: si se queman las piezas de plástico se generan gases tóxicos que pueden afectar a las personas; si las pilas están dañadas o se calientan en exceso pueden explotar y ocasionar intoxicaciones, incendios, causticaciones o contaminación del medio ambiente; si se realiza una evacuación imprudente, el equipo puede caer en manos de personas no autorizadas que hagan un uso inadecuado del mismo. Esto generaría el riesgo de provocar lesiones al usuario o a terceros, así como la contaminación del medio ambiente.

PRECAUCIÓN

Deseche de inmediato las baterías defectuosas. Manténgalas fuera del alcance de los niños. No destruya ni queme las baterías.

PRECAUCIÓN

Deseche las baterías conforme a las prescripciones nacionales o devuelva las baterías usadas a Hilti.



es

Gran parte de las herramientas Hilti están fabricadas con materiales reutilizables. La condición para dicha reutilización es una separación de materiales adecuada. En muchos países, Hilti ya dispone de un servicio de recogida de la herramienta usada. Póngase en contacto con el servicio de atención al cliente de Hilti o con su asesor de ventas.



Baterías

La batería Hilti SFB 180 NiCd se abastece de células de níquel-cadmio.

La batería Hilti SFB 185 NiMH se abastece de células de níquel-metal hidruro.

Para garantizar un reciclado no contaminante de las baterías usadas, la responsabilidad recae tanto en usted como en nosotros.

No deseche las baterías junto con los residuos domésticos, ni las tire al fuego o al agua.

11. Garantía del fabricante de las herramientas

Hilti garantiza la herramienta suministrada contra todo fallo de material y de fabricación. Esta garantía se otorga a condición de que la herramienta sea utilizada, manejada, limpiada y revisada en conformidad con el manual de instrucciones de Hilti, y de que el sistema técnico sea salvaguardado, es decir, que se utilicen en la herramienta exclusivamente consumibles, accesorios y piezas de recambio originales de Hilti.

Esta garantía abarca la reparación gratuita o la sustitución sin cargo de las piezas defectuosas durante toda la vida útil de la herramienta. La garantía no cubre las piezas sometidas a un desgaste normal.

Quedan excluidas otras condiciones que no sean las expuestas, siempre que esta condición no sea contraria a las prescripciones nacionales vigentes. Hilti no acepta la responsabilidad especialmente

en relación con deterioros, pérdidas o gastos indirectos, indirectos, accidentales o consecutivos, en relación con la utilización o a causa de la imposibilidad de utilización de la herramienta para cualquiera de sus finalidades. Quedan excluidas en particular todas las garantías tácitas relacionadas con la utilización y la idoneidad para una finalidad precisa.

Para toda reparación o recambio, les rogamos que envíen la herramienta o las piezas en cuestión a la dirección de su organización de venta Hilti más cercana inmediatamente después de la constatación del defecto.

Estas son las únicas obligaciones de Hilti en materia de garantía, las cuales anulan toda declaración anterior o contemporánea, del mismo modo que todos los acuerdos orales o escritos en relación con las garantías.

Berbequim/aparafusadora a bateria / Berbequim de percussão/aparafusadora a bateria SF(H) 181-A

Antes de utilizar a ferramenta, por favor leia atentamente o manual de instruções.

Conserve o manual de instruções sempre junto da ferramenta.

Entregue a ferramenta a outras pessoas apenas juntamente com o manual de instruções.

Índice	Página
1. Informação geral	39
2. Descrição	40
3. Ferramentas, acessórios	41
4. Características técnicas	41
5. Normas de segurança	42
6. Antes de iniciar a utilização	45
7. Utilização	46
8. Conservação e manutenção	47
9. Avarias possíveis	48
10. Reciclagem	49
11. Garantia do fabricante - Ferramentas	49

1 Estes números referem-se a figuras. Estas encontram-se nas contracapas desdobráveis. Ao ler as instruções, mantenha as contracapas abertas.

Nestas instruções, a palavra «ferramenta» refere-se sempre à aparafusadora a bateria SF 181-A ou à aparafusadora a bateria com percussão SFH 181-A (bateria incluída).

Comandos operativos e componentes **1**

- 1 Mandril de aperto rápido
- 2 Anel de regulação do torque e modo de operação
- 3 Punho auxiliar
- 4 Interruptor on/off (com regulação electrónica da velocidade)
- 5 Comutador de rotação para a direita/esquerda
- 6 Travamento do motor
- 7 Regulador de duas ou três velocidades
- 8 Placa de características
- 9 Punho
- 10 Botão de destravamento da bateria (2 botões)

1. Informação geral

1.1 Indicações de perigo e seu significado

PERIGO

Indica perigo iminente que pode originar acidentes pessoais graves ou até mesmo fatais.

AVISO

Indica uma situação potencialmente perigosa que pode causar graves ferimentos pessoais, até mesmo fatais.

CUIDADO

Indica uma situação potencialmente perigosa que pode originar ferimentos ligeiros ou danos na ferramenta ou noutros materiais.

NOTA

Indica instruções ou outras informações úteis.

1.2 Significado dos pictogramas e outras notas

Sinais de aviso



Perigo geral



Perigo:
electricidade



Perigo:
substâncias
corrosivas

pt

Sinais de obrigação



Use óculos de
protecção



Use capacete
de segurança



Use protecção
auricular



Use luvas de
protecção



Use máscara
antipoeiras

Símbolos



Leia o manual
de instruções
antes de
utilizar a
ferramenta.



Recicle os
desperdícios



Volt



Corrente
contínua



Velocidade
nominal de
rotação sem
carga



Rotações por
minuto



Perfurar de
martelo



Perfurar sem
percussão

Localização da informação na ferramenta

A referência consta na placa de características, enquanto o número de série figura no lado da carcaça do motor. Anote estes dados no seu manual de instruções e faça referência a estas indicações sempre que necessitar de qualquer peça/acessório para a ferramenta.

Tipo:

Número de série:

2. Descrição

2.1 Utilização correcta

A SF 181-A é uma aparafusadora a bateria de utilização manual e destina-se a apertar e desapertar parafusos, furar aço, madeira e alvenaria.

A SFH 181-A é uma aparafusadora a bateria com percussão de utilização manual e destina-se a apertar e desapertar parafusos, furar aço, madeira e alvenaria. Perfura com percussão em betão leve e alvenaria. Materiais nocivos para a saúde (p. ex., amianto) não podem ser trabalhados.

Não utilize as baterias como fonte de energia para outros dispositivos não especificados.

Não é permitida a modificação ou manipulação da ferramenta.

Para evitar ferimentos/danos, use apenas acessórios e equipamento auxiliar Hilti.

Leia as instruções contidas neste manual sobre utilização, conservação e manutenção da ferramenta.

A ferramenta foi concebida para uso profissional e só deve ser utilizada, feita a sua manutenção e reparada por pessoal autorizado e devidamente credenciado. Estas pessoas deverão ser informadas sobre os potenciais perigos que a ferramenta representa. A ferramenta e seu equipamento auxiliar podem representar perigo se usados incorrectamente por pessoas não qualificadas ou se usados para fins diferentes daqueles para os quais foram concebidos.

A ferramenta é apropriada para trabalhar em obra, em oficina, em trabalhos de renovação, reconstrução e construção de raiz.

2.2 Mandril

Mandril de aperto rápido

2.3 Interruptor

Interruptor on/off regulável
Selector de funções
Computador ESQ/DRT

2.4 Punho

Punho lateral ajustável com limitador de profundidade
Punho principal com absorção de vibrações

2.5 Lubrificação

Lubrificação a óleo

2.6 Incluído no fornecimento (em mala Hilti):

- 1 Ferramenta com punho auxiliar
- 2 Bateria SFB 180 ou SFB 185
- 1 Carregador para baterias NiCd e NiMH
- 1 Manual de instruções
- 1 Mala Hilti

2.7 Incluído no fornecimento (em caixa de cartão):

- 1 Ferramenta com punho auxiliar
- 1 Manual de instruções

pt

3. Ferramentas, acessórios

Porta-bits	S-BH 50
Carregador para baterias NiCd e NiMH	SFC 7/18
Carregador para baterias NiCd e NiMH	SFC 7/18H
Carregador para baterias NiCd e NiMH	C 7/24
Carregador para baterias NiCd e NiMH	TCU7/36
Carregador para baterias NiCd e NiMH	C7/36-ACS
Bateria	SFB 180
Bateria	SFB 185
Mandril	Mandril de aperto rápido
Diâmetro de fixação do mandril de aperto rápido	Ø 1,5...13 mm
Diâmetro das brocas para furar em madeira (macia)	Ø 1,5...32 mm
Diâmetro das brocas para furar em madeira (dura)	Ø 1,5...30 mm
Diâmetro das brocas para furar em metal	Ø 1,5...13 mm
Parafusos para madeira (comprimento máx. 120 mm)	Ø 3,5...10 mm
Buchas HUD (comprimento máx. 120 mm)	Ø 5...10 mm

4. Características técnicas

Reservamo-nos o direito de proceder a alterações técnicas!

Ferramenta	SF 181-A	SFH 181-A
Tensão nominal (contínua)	18 V	18 V
Peso de acordo com o Procedimento EPTA de 01/2003	2,7 kg	2,9 kg
Dimensões (C x L x A)	239 mm x 83 mm x 267 mm	264 mm x 83 mm x 270 mm
Número de rotações 1.ª velocidade	0...390/min	0...370/min
Número de rotações 2.ª velocidade	0...1 455/min	0...1 380/min
Número de rotações 3.ª velocidade		0...2 000/min

Ferramenta	SF 181-A	SFH 181-A
Torque (para aparafusamento em material macio) na posição de furar (ver símbolo)	Máx. 36 Nm	Máx. 36 Nm
Regulação do torque (15 posições)	2...12 Nm	2...12 Nm
Velocidade de impacto		36 000/min
Furar com percussão em tijolo e alvenaria (comprimento máx. 100 mm)		Ø 1,5...12 mm

Bateria	SFB 180	SFB 185
Tensão nominal	18 V	18 V
Capacidade	2 Ah	3 Ah
Conteúdo energético	36 Wh	54 Wh
Peso	1,11 kg (2.4 lb)	1,22 kg (2.7 lb)
Monitorização da temperatura	Sim	Sim
Tipo de célula	Níquel-cádmio, tamanho SUB C	Níquel/hidreto metálico, tamanho SUB C
Número de células	15	15

5. Normas de segurança

NOTA

As Normas de segurança no capítulo 5.1 contêm todas as normas gerais de segurança para ferramentas eléctricas. As precauções indicadas em 5.1.2a, 5.1.2d, 5.1.2e e 5.1.3c não são relevantes para estas ferramentas.

5.1 Normas gerais de segurança

ATENÇÃO: Leia todas as instruções. O desrespeito pelas instruções a seguir enunciadas pode resultar em choque eléctrico, incêndio e/ou lesões graves. O termo "ferramenta eléctrica" utilizado em todos os avisos refere-se a ferramentas com ligação à corrente eléctrica (com cabo de alimentação) ou ferramentas a bateria (sem cabo). **GUARDE BEM ESTAS INSTRUÇÕES.**

5.1.1 Local de trabalho

- Mantenha a sua área de trabalho limpa e arrumada.** Desordem e fraca iluminação podem ser causa de acidentes.
- Não opere com a ferramenta em ambientes explosivos ou na proximidade de líquidos ou gases inflamáveis.** Ferramentas eléctricas produ-

zem faíscas que podem provocar a ignição de pó e vapores.

- Mantenha crianças e terceiros afastados durante os trabalhos.** Distrações podem conduzir à perda de controlo sobre a ferramenta.

5.1.2 Segurança eléctrica

- A ficha da ferramenta eléctrica deve servir na tomada. A ficha não deve ser modificada de modo algum. Não utilize quaisquer adaptadores com ferramentas com ligação terra.** Fichas originais (não modificadas) e tomadas adequadas reduzem o risco de choque eléctrico.
- Evite o contacto do corpo com superfícies ligadas à terra, como, por exemplo, canos, radiadores, fogões e frigoríficos.** Existe um risco elevado de choque eléctrico se o corpo estiver em contacto com a terra.
- A ferramenta eléctrica não deve ser exposta à chuva nem humidade.** A infiltração de água na ferramenta eléctrica aumenta o risco de choque eléctrico.
- Não use o cabo para transportar, arrastar ou desligar a ferramenta da tomada. Mantenha o**

cabo afastado de calor, óleo, arestas vivas ou partes em movimento da ferramenta. Cabos danificados ou emaranhados aumentam o risco de choque eléctrico.

- e) **Quando operar uma ferramenta eléctrica ao ar livre, utilize apenas cabos de extensão aprovados para utilização no exterior.** A utilização de cabos de extensão próprios para exterior reduz o risco de choque eléctrico.

5.1.3 Segurança física

- a) **Esteja atento ao que está a fazer e tenha prudência ao trabalhar com a ferramenta eléctrica. Não use a ferramenta eléctrica se estiver cansado ou sob a influência de drogas, álcool ou medicamentos.** Um momento de distração ao operar a ferramenta pode causar ferimentos graves.
- b) **Use equipamento de segurança. Use sempre óculos de protecção.** Equipamento de segurança, como, por exemplo, máscara antipoeiras, sapatos de segurança antiderrapantes, capacete de segurança ou protecção auricular, de acordo com o tipo e aplicação da ferramenta eléctrica, reduzem o risco de lesões.
- c) **Evite um arranque involuntário. Assegure-se de que o interruptor está na posição "desligado", antes de introduzir a ficha na tomada.** Transportar a ferramenta eléctrica com o dedo no interruptor ou ligar uma ferramenta à tomada com o interruptor ligado (ON) pode resultar em acidentes.
- d) **Remova quaisquer chaves de ajuste (chaves de fenda), antes de ligar a ferramenta eléctrica.** Um acessório ou chave deixado preso numa parte rotativa da ferramenta pode causar ferimentos.
- e) **Não exceda os seus limites. Mantenha sempre uma posição correcta, em perfeito equilíbrio.** Desta forma será mais fácil manter o controlo sobre a ferramenta em situações inesperadas.
- f) **Use roupa apropriada. Não use roupa larga ou jóias. Mantenha o cabelo, vestuário e luvas afastados das peças móveis.** Roupas largas, jóias ou cabelos compridos podem ficar presos nas peças móveis.
- g) **Se poderem ser montados sistemas de aspiração e de recolha de pó, assegure-se de que estes estão ligados e são utilizados correctamente.** A utilização destes sistemas reduz os perigos relacionados com a exposição a poeiras.

5.1.4 Utilização e manutenção de ferramentas eléctricas

- a) **Não sobrecarregue a ferramenta. Use para o seu trabalho a ferramenta eléctrica correcta.** Com a ferramenta eléctrica adequada obterá maior eficiência e segurança se respeitar os seus limites.
- b) **Não utilize a ferramenta eléctrica se o interruptor estiver defeituoso.** Uma ferramenta eléctrica que já não possa ser accionada pelo interruptor é perigosa e deve ser reparada.
- c) **Retire a ficha da tomada e/ou a bateria da ferramenta, antes de efectuar ajustes na ferramenta, substituir acessórios ou guardar a ferramenta eléctrica.** Esta medida preventiva evita o accionamento accidental da ferramenta.
- d) **Guarde ferramentas eléctricas não utilizadas fora do alcance das crianças. Não permita que a ferramenta seja utilizada por pessoas não qualificadas ou que não tenham lido estas instruções.** Ferramentas eléctricas operadas por pessoas não treinadas são perigosas.
- e) **Trate da sua ferramenta eléctrica com cuidado. Verifique se as partes móveis da ferramenta funcionam perfeitamente e não emperram, se há peças quebradas ou danificadas, que possam influenciar o funcionamento da ferramenta. Peças danificadas devem ser reparadas antes da utilização da ferramenta.** Muitos acidentes são causados por ferramentas eléctricas com manutenção deficiente.
- f) **Mantenha as ferramentas de corte sempre afiadas e limpas.** Ferramentas de corte com gumes afiados tratadas correctamente emperram menos e são mais fáceis de controlar.
- g) **Utilize a ferramenta eléctrica, acessórios, bits, etc., de acordo com estas instruções e da forma prevista para este tipo especial de ferramenta. Tome também em consideração as condições de trabalho e o trabalho a ser efectuado.** A utilização da ferramenta eléctrica para outros fins além dos previstos, pode ocasionar situações de perigo.

5.1.5 Utilização e manutenção de ferramentas com bateria

- a) **Antes de introduzir a bateria, certifique-se de que a ferramenta está desligada.** A introdução

de uma bateria numa ferramenta eléctrica ligada pode causar acidentes.

- b) **Apenas deverá carregar as baterias em carregadores recomendados pelo fabricante.** Num carregador adequado para um determinado tipo de baterias, existe perigo de incêndio se for utilizado para outras baterias.
- c) **Nas ferramentas eléctricas utilize apenas as baterias previstas.** A utilização de outras baterias pode causar ferimentos e riscos de incêndio.
- d) **Quando a bateria não estiver em uso, mantenha-a afastada de outros objectos de metal, como, por exemplo, cliques, moedas, chaves, pregos, parafusos, ou outros pequenos objectos metálicos que possam ligar em ponte os contactos.** Um curto-circuito entre os contactos da bateria pode causar queimaduras ou incêndio.
- e) **Utilizações inadequadas podem provocar derrame do líquido da bateria. Evite o contacto com este líquido. No caso de contacto accidental, enxágue imediatamente com água. Se o líquido entrar em contacto com os olhos, procure auxílio médico.** O líquido que escorre da bateria pode provocar irritações ou queimaduras da pele.

5.1.6 Serviço

- a) **A sua ferramenta eléctrica só deve ser reparada por pessoal qualificado e só devem ser utilizadas peças sobressalentes originais.** Isto assegurar a que a segurança da ferramenta se mantenha.

5.2 Normas de segurança adicionais

5.2.1 Segurança de pessoas

- a) **Use protecção auricular quando utilizar berbequins de percussão.** Ruído em excesso pode levar à perda de audição.
- b) **Utilize os punhos auxiliares fornecidos com a ferramenta.** A perda de controlo da ferramenta pode causar ferimentos.
- c) **Quando existir a possibilidade de a ferramenta poder danificar o cabo de alimentação ou cabos eléctricos que se encontrem enterrados, segure a ferramenta pelas superfícies isoladas dos punhos.** Em caso de contacto com fios condutores de corrente, partes metálicas não isoladas da ferramenta podem ficar sob tensão, ficando o operador sujeito a receber choques eléctricos.
- d) **Segure a ferramenta sempre com as duas mãos nos punhos previstos para o efeito. Mantenha**

os punhos secos, limpos e isentos de óleos e massas.

- e) **Se a ferramenta for utilizada sem o sistema de remoção de pó, é indispensável colocar uma máscara antipoeiras.**
- f) **Faça pausas para relaxar os músculos e melhorar a circulação sanguínea nas mãos.**
- g) **Evite o contacto com peças rotativas. Ligue a ferramenta apenas quando estiver no local de trabalho.** O contacto com peças rotativas, nomeadamente brocas, discos, lâminas, etc. pode causar ferimentos.
- h) **Deve ensinar-se às crianças que não podem brincar com a ferramenta.**
- i) **A ferramenta não está concebida para a utilização por crianças ou pessoas debilitadas sem formação.**

5.2.2 Utilização e manutenção de ferramentas eléctricas

- a) **Para maior segurança e porque assim fica com ambas as mãos livres para segurar a máquina, use grampos ou um torno para segurar peças soltas.**
- b) **Verifique se os acessórios utilizados são compatíveis com o sistema de encaixe e se estão correctamente encaixados.**

5.2.3 Segurança eléctrica



Antes de iniciar os trabalhos, verifique o local de trabalho relativamente a cabos eléctricos encober-tos, bem como tubos de gás e água, p.ex., com um detector de metais. Partes metálicas externas da ferramenta podem transformar-se em condutores de corrente se, p.ex., uma linha eléctrica for danificada inadvertidamente. Isto representa um sério perigo de choque eléctrico.

5.2.4 Local de trabalho

- a) **Assegure-se de que o local de trabalho está bem iluminado.**
- b) **Assegure-se de que o local de trabalho está bem ventilado.** Áreas de trabalho mal ventiladas podem suscitar problemas de saúde devido à inalação de pó.

c) **AVISO:** Alguns tipos de pó que são produzidos ao desbastar, rebarbar, cortar e furar, contêm agentes químicos conhecidos pelos seus efeitos cancerígenos e teratogénicos, que podem provocar esterilidade e danos permanentes das vias respiratórias ou outros. Alguns desses agentes químicos são chumbo contido em tinta de chumbo, quartzo cristalino proveniente de tijolos, betão, alvenaria ou pedras naturais, ou, também, arsénico e crómio provenientes de madeira de construção tratada quimicamente. A perigosidade para si varia, consoante a frequência com que efectua estes trabalhos. **Para minimizar a exposição a estes agentes químicos, os utilizadores e terceiros devem trabalhar num espaço bem ventilado, bem como usar equipamentos de segurança apropriados. Use uma máscara antipoeiras adequada para determinados pós, que possa filtrar partículas microscópicas e manter o pó afastado da face e do corpo. Evite o contacto permanente com pó. Use roupa de protecção e lave a área**

da pele afectada com água e sabão. A absorção de pó através da boca, dos olhos ou o contacto permanente dos pós com a pele pode promover a absorção de agentes químicos com risco de efeitos graves para a saúde.

5.2.5 Equipamento de protecção pessoal



O utilizador e restantes pessoas que se encontrem na proximidade da ferramenta devem usar óculos de protecção adequados e aprovados em conformidade com a norma ANSI Z87.1, capacete de segurança, protecção auricular, luvas de protecção e máscara antipoeiras.

6. Antes de iniciar a utilização



6.1 Utilização e manutenção das baterias

NOTA

A baixas temperaturas, a performance da bateria diminui consideravelmente. Não trabalhe com a bateria até a ferramenta parar. Mude atempadamente para a segunda bateria. Recarregue-a logo de seguida para que esteja pronta para a próxima substituição.

Guarde a bateria em local fresco e seco. Nunca guarde a bateria em locais em que esta possa estar sujeita a exposição solar, em cima de radiadores ou por trás de um vidro. As baterias devem ser recicladas de forma ecológica e segura no fim da sua vida útil.

6.2 Carregar a bateria



CAUIDADO

Use apenas as baterias Hilti SFB 180 e SFB 185.

6.2.1 Carga inicial de uma bateria nova

Uma bateria nova deve ser correctamente carregada antes da primeira utilização, garantindo assim a conveniente formação das células. Uma carga inicial incorrecta poderá ter um efeito negativo permanente sobre a capacidade das baterias. Leia o manual de instruções do respectivo carregador antes de iniciar o primeiro carregamento.

6.2.2 Carga de uma bateria já usada

CAUIDADO

Use apenas os carregadores Hilti previstos que estão indicados em "Acessórios".

Certifique-se de que as superfícies exteriores da bateria estão limpas e secas antes de a inserir no carregador.

Leia o manual de instruções do carregador antes de iniciar o carregamento.

6.3 Encaixar a bateria na ferramenta

CAUIDADO

Antes de introduzir a bateria, certifique-se de que a ferramenta está desligada e o dispositivo de bloqueio activado (comutador de rotação para a

direita/esquerda em posição central). Use apenas as baterias Hilti aprovadas para a sua ferramenta.

1. Introduza a bateria na ferramenta a partir de baixo até fazer um clique audível.

2. **CUIDADO** Uma bateria mal encaixada pode causar acidentes.

Verifique se a bateria esta correctamente encaixada na ferramenta.

6.4 Retirar a bateria 2

1. Pressione ambos os botões de destravamento.
2. Retire a bateria puxando-a para baixo.

pt

7. Utilização

7.1 Comutador de rotação para a direita ou esquerda 3

NOTA

O sentido de rotação do veio da ferramenta pode ser seleccionado através do comutador de rotação. Um dispositivo de bloqueio impede a mudança do sentido de rotação enquanto o motor está a funcionar. Na posição central, o interruptor on/off encontra-se bloqueado. Se pressionar o comutador para a direita (ferramenta na posição de funcionamento), ajusta a rotação para a direita. Se pressionar o comutador para a esquerda (ferramenta na posição de funcionamento), ajusta a rotação para a esquerda.

7.2 Seleção da velocidade

7.2.1 Seleccionar a velocidade através do regulador de duas velocidades (SF 181-A) 4

NOTA

Através do regulador de velocidades seleccione a velocidade desejada. Velocidades na potência máxima da bateria: 1.ª velocidade: 0-390 rpm ou 2.ª velocidade: 0-1455 rpm.

7.2.2 Seleccionar a velocidade através do regulador de três velocidades (SFH 181-A) 5

NOTA

Através do regulador de velocidades seleccione a velocidade desejada. Velocidades na potência máxima da bateria: 1.ª velocidade: 0-370 rpm, 2.ª velocidade: 0-1380 rpm ou 3.ª velocidade: 0-2000 rpm.

7.3 Ligar/desligar

CUIDADO

Se o motor ficar parado devido a bloqueio durante mais do que 2-3 segundos, deve desligar a ferramenta de modo a evitar uma avaria. Após um bloqueio deve

deixar trabalhar a ferramenta durante 2 minutos sem carga.

Pressionando suavemente o interruptor on/off pode seleccionar a velocidade entre 0 e velocidade máxima.

7.4 Furar

CUIDADO

Caso a broca encrave, a ferramenta rodará sobre o seu próprio eixo. Utilize sempre a ferramenta com o punho auxiliar e segure-a com as duas mãos.

CUIDADO

Para maior segurança e porque assim fica com ambas as mãos livres para segurar a ferramenta, use grampos ou um torno para segurar peças soltas.

7.4.1 Ajustar o punho auxiliar 6

1. Abra a abraçadeira de aperto do punho lateral rodando o punho no sentido dos ponteiros do relógio.
2. Regule a posição do punho.
3. Aperte o punho rodando-o.

7.4.2 Inserir a broca

1. Coloque o comutador de rotação em posição central ou retire a bateria da ferramenta.
2. Verifique se o encabadouro da broca está limpo. Caso necessário, limpe o encabadouro.
3. Insira a broca no mandril e rode o mandril de aperto rápido para a fixar.
4. Tente puxar a broca para fora do mandril, verificando assim se está bem fixa.

7.4.3 Furar

1. Coloque o comutador de rotação na posição de rotação para a direita.
2. Rode o anel de regulação do torque e modo de operação para a posição "Furar".

7.4.4 Retirar a broca

CUIDADO

Ao efectuar a troca de acessórios, calce luvas de protecção, pois estes aquecem durante a utilização.

1. Coloque o comutador de rotação em posição central ou retire a bateria da ferramenta.
2. Abra o mandril de aperto rápido.
3. Puxe a broca para fora do mandril.

7.5 Furar com percussão (SFH 181-A)

7.5.1 Inserir a broca

1. Coloque o comutador de rotação em posição central ou retire a bateria da ferramenta.
2. Verifique se o encabadouro da broca está limpo. Caso necessário, limpe o encabadouro.
3. Insira a broca no mandril e rode o mandril de aperto rápido para a fixar.
4. Tente puxar a broca para fora do mandril, verificando assim se está bem fixa.

7.5.2 Furar com percussão

CUIDADO

Utilize sempre a ferramenta com o punho auxiliar e segure-a com ambas as mãos (uma mão no punho e outra no punho auxiliar).

1. Coloque o comutador de rotação na posição de rotação para a direita.

2. Rode o anel de regulação do torque e modo de operação para a posição "Furar com percussão".

7.5.3 Retirar a broca

CUIDADO

Ao efectuar a troca de acessórios, calce luvas de protecção, pois estes aquecem durante a utilização.

1. Coloque o comutador de rotação em posição central ou retire a bateria da ferramenta.
2. Abra o mandril de aperto rápido.
3. Puxe a broca para fora do mandril.

7.6 Aparafusamento

7.6.1 Inserir o bit/porta-bits

1. Coloque o comutador de rotação em posição central ou retire a bateria da ferramenta.
2. Insira o porta-bits no mandril.
3. Insira o bit no porta-bits.

7.6.2 Aparafusamento

1. Seleccione o sentido de rotação desejado através do comutador de rotação.
2. Seleccione o torque no anel de regulação do torque e modo de operação.

7.6.3 Retirar o bit/porta-bits

1. Coloque o comutador de rotação em posição central ou retire a bateria da ferramenta.
2. Retire o bit para fora do porta-bits.
3. Retire o porta-bits para fora do mandril.

8. Conservação e manutenção

CUIDADO

Antes de iniciar os trabalhos de limpeza, retire a bateria da ferramenta, evitando assim um arranque inadvertido!

8.1 Manutenção dos acessórios

Remova quaisquer resíduos aderentes ao encabadouro dos acessórios e proteja-os da corrosão limpando-os, de tempos a tempos, com um pano ligeiramente embebido em óleo.

8.2 Manutenção da ferramenta

CUIDADO

Mantenha a ferramenta, particularmente as superfícies do punho, seca, limpa e isenta de óleos

e massas. Não utilize produtos de limpeza que contenham silicone.

A carcaça exterior da ferramenta é fabricada em plástico resistente a impactos. O punho é feito de uma borracha sintética.

As saídas de ar devem estar sempre limpas e desobstruídas! Limpe as saídas de ar cuidadosamente com uma escova seca. Evite a penetração de corpos estranhos no interior da ferramenta. Limpe regularmente o exterior da ferramenta com um pano ligeiramente húmido. Não utilize qualquer spray, sistema de vapor ou água, pois poderá afectar negativamente a parte eléctrica da ferramenta.

8.3 Manutenção

AVISO

As reparações na parte eléctrica apenas podem ser executadas por um electricista especializado.

Examine periodicamente todos os componentes e partes externas da ferramenta prevenindo assim o seu perfeito funcionamento. Não ligue a ferramenta se houver partes danificadas, incompletas ou se os comandos operativos não estiverem a funcionar correctamente. Nesse caso, mande reparar a ferramenta num Centro de Assistência Técnica Hilti.

8.4 Conservação das baterias

Mantenha as superfícies de contacto limpas de pó, óleo e massas. Em caso de necessidade, limpe as superfícies de contacto com um pano de limpeza limpo. Não use a ferramenta até a bateria ficar completamente descarregada, pois isso poderá danificar as

células. Logo que seja notada uma quebra no desempenho da ferramenta, deverá recarregar-se a bateria. Efectue mensalmente, ou o mais tardar quando a capacidade das baterias baixar notoriamente, um carga condicionada. Ao efectuar uma carga com os carregadores Hilti C 7/24, SFC 7/18, SFC 7/18H e TCU 7/36, carregue as baterias durante 24 horas, em carga normal, ou durante 12 horas na função “carga condicionada”. Com o carregador C 7/36-ACS: o carregador detecta automaticamente se é necessária uma carga inicial ou normal. Se, após o condicionamento, a capacidade da bateria continua insatisfatória, recomendamos que a entregue num Centro de Assistência Técnica Hilti para que seja verificada.

8.5 Verificação da ferramenta após manutenção

Após cada manutenção da ferramenta, verifique se todos os dispositivos de segurança estão correctamente montados e perfeitamente operacionais.

9. Avarias possíveis

Falha	Causa possível	Solução
A ferramenta não funciona.	A bateria está descarregada ou não está correctamente encaixada. Avaria eléctrica.	O encaixe da bateria deve ser audível (clique). Retire a bateria da ferramenta e contacte um Centro de Assistência Técnica Hilti.
Não tem percussão.	Verificar o anel de regulação do torque e modo de operação.	Rodar o anel de regulação do torque e modo de operação para a posição “Furar com percussão”.
Não é possível pressionar o interruptor on/off (está bloqueado).	O comutador de rotação para a direita/esquerda está em posição central (posição de transporte)	Pressione o comutador de rotação para a esquerda ou a direita.
A velocidade diminui repentinamente de forma considerável.	A bateria está descarregada.	Substitua a bateria e carregue a bateria descarregada.
A bateria descarrega-se mais depressa do que habitualmente.	O estado da bateria não é o ideal.	Entregue a bateria num Centro de Assistência Técnica Hilti para que seja verificada ou substitua-a.
A bateria não encaixa com clique audível.	Patilhas de fixação da bateria sujas.	Limpar as patilhas de fixação e encaixar a bateria. Contacte um Centro de Assistência Técnica Hilti caso o problema se mantenha.
Ferramenta ou bateria aquece demasiado.	Defeito eléctrico.	Desligue imediatamente a ferramenta, retire a bateria da ferramenta e contacte um Centro de Assistência Técnica Hilti.

Falha	Causa possível	Solução
Ferramenta ou bateria aquece demasiado.	Sobrecarga por ter excedido os limites da ferramenta.	Seleção correcta da ferramenta em função da utilização.

10. Reciclagem

CUIDADO

A reciclagem incorrecta do equipamento pode ter graves consequências: a combustão de componentes plásticos pode gerar fumos tóxicos que representam um perigo para a saúde. Se danificadas ou expostas a temperaturas muito elevadas, as baterias podem explodir, originando queimaduras por ácido, intoxicação e poluição ambiental. Uma reciclagem incorrecta (ou ausência desta) permite que pessoas não autorizadas/habilitadas utilizem o equipamento para fins diferentes daqueles para os quais foi concebido. Consequentemente, podem ferir-se a si próprias ou a terceiros ou causar poluição ambiental.

CUIDADO

Recicle imediatamente as baterias avariadas. Mantenha-as afastadas do alcance das crianças. Não desmontele e incinere as baterias.

CUIDADO

A reciclagem das baterias deve ser feita de acordo com os regulamentos nacionais/locais em vigor. A Hilti recebe baterias usadas para reciclagem.



As ferramentas Hilti são, em grande parte, fabricadas com materiais recicláveis. Um pré-requisito para a reciclagem é que esses materiais sejam devidamente separados. A Hilti já iniciou em muitos países a recolha da sua ferramenta usada para fins de reaproveitamento. Para mais informações dirija-se ao Serviço de Clientes Hilti ou ao seu vendedor.



Baterias

A bateria Hilti SFB 180 NiCd está equipada com células de níquel/cádmio.

A bateria Hilti SFB 185 NiMH está equipada com células de níquel/hidreto metálico.

Garantir a reciclagem ecológica das baterias é tanto sua como nossa responsabilidade.

Não deite baterias gastas no lixo doméstico, para o fogo e para dentro da água.

11. Garantia do fabricante - Ferramentas

A Hilti garante que a ferramenta fornecida está isenta de quaisquer defeitos de material e de fabrico. Esta garantia é válida desde que a ferramenta seja utilizada e manuseada, limpa e revista de forma adequada e de acordo com o manual de instruções Hilti e desde que o sistema técnico seja mantido, isto é, sob reserva da utilização exclusiva na ferramenta de consumíveis, componentes e peças originais Hilti.

A garantia limita-se rigorosamente à reparação gratuita ou substituição das peças com defeito de fabrico durante todo o tempo de vida útil da ferramenta. A garantia não cobre peças sujeitas a um desgaste normal de uso.

Estão excluídas desta garantia quaisquer outras situações suscetíveis de reclamação, salvo le-

gislação nacional aplicável em contrário. Em caso algum será a Hilti responsável por danos indirectos, directos, accidentais ou pelas consequências daí resultantes, perdas ou despesas em relação ou devidas à utilização ou incapacidade de utilização da ferramenta, seja qual for a finalidade. A Hilti exclui em particular as garantias implícitas respei-

tantes à utilização ou aptidão para uma finalidade particular.

Para toda a reparação ou substituição, enviar a ferramenta ou as peças para o seu centro de vendas Hilti, imediatamente após detecção do defeito.

Estas são todas e as únicas obrigações da Hilti no que se refere à garantia, as quais anulam todas as declarações, acordos orais ou escritos anteriores ou contemporâneos referentes à garantia.

pt

HILTI

Hilti Corporation

LI-9494 Schaan

Tel.: +423 / 234 21 11

Fax: +423 / 234 29 65

www.hilti.com



272636