

## Care and Maintenance

**WARNING:** Always disconnect power before attempting service or cleaning to reduce the risk of fire, electrical shock or personal injury.

**CAUTION:** Never operate the unit without a filter or with a damaged filter.

**Attention:** It is recommended to wear gloves when replacing the filter to avoid contact with pollutants and replacing the UV-C lamp to prevent oils from your hand on the lamp.

### **Cleaning and Replacing Filter, Replacement Filter No.: UV150F**

For optimal performance, the filter should be cleaned at least once every month. More frequent cleaning may be required depending on the environmental conditions where you live.

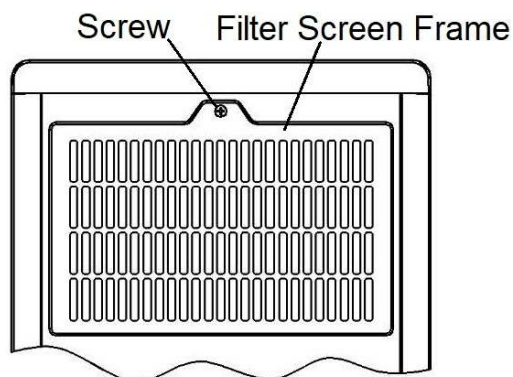
It is not recommended to use the air sanitizer in places where candle soot or fireplace soot and smoke is present. If candle or fireplace soot and smoke are present, then more frequent cleaning will be required.

### **Cleaning Filter**

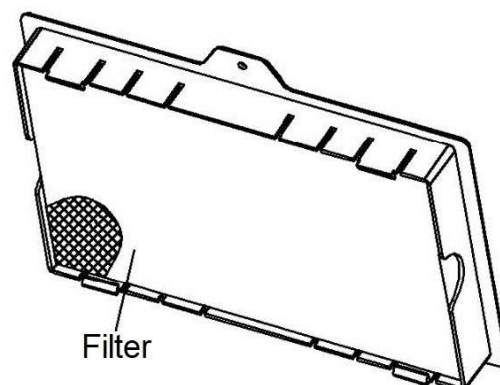
Use the brush attachment on your vacuum cleaner to remove lint and dirt from the filter. If necessary, you can wash the filter in warm water with a mild dish detergent.

1. The Filter is located in the back of the Air Sanitizer, Fig. 3.
2. Remove the screw securing the Filter Screen Frame and slide Screen Frame out. The Filter will be contained within the Screen Frame, Fig. 3&4.
3. Pull Filter from Screen Frame to clean or replace. The Filter is meant to fit snug within the Screen Frame.
4. Screw the Screen Frame back into place securely.

**Fig. 3**



**Fig. 4**



## **Care and Maintenance (cont.)**

### **Replacing UVC Lamp**, Replacement Lamp No.: UV150L

**WARNING:** UV Light is harmful to bare skin and eyes and can cause temporary or permanent loss of vision. Never look directly at the UV lamp while it is illuminated-doing so could cause loss of vision!

**CAUTION:** Do not touch the glass part of the lamp. Oil from fingertips will decrease the effectiveness of the lamp.

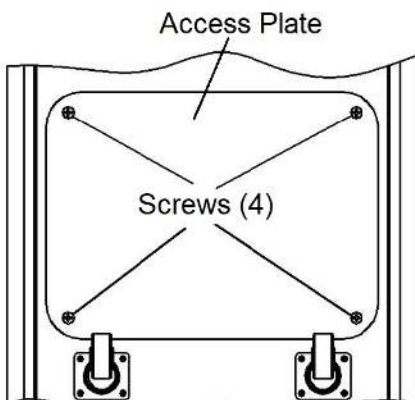
The UV lamp functions up to 12 months (8,000 hours) of continuous, effective operation. After 8,000 hours, the lamp may remain illuminated, but its effectiveness greatly reduced. For maximum germicidal protection, replace the UV lamp annually.

#### **Unplug the unit before replacing UVC Lamp.**

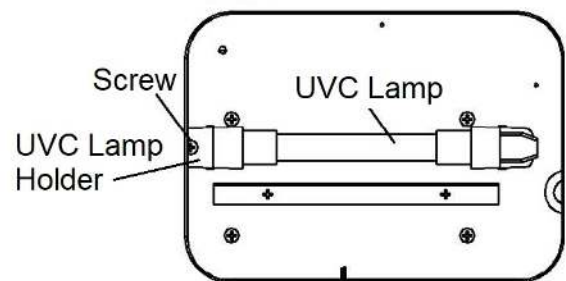
Attention: Follow all precautions identified in UVC replacement lamp instructions.

1. Remove Bottom Access Plate by removing the four philips head screws, Fig. 5.
2. Remove the screw securing the UVC Lamp Holder and carefully unplug UVC Lamp, Fig. 6.
3. Carefully plug in the new UVC Lamp and resecure the Lamp Holder.
4. Screw the Bottom Access Cover back into place securely.

**Fig. 5**



**Fig. 6**



## **Care and Maintenance (cont.)**

### **Cleaning the 3-in-1 Air Sanitizer Cabinet**

- Always unplug the unit before cleaning.
- Clean outer surface with slightly dampened towel with a light water and dishwashing soap solution.
- Do not allow water to enter the Air Sanitizer, this could damage the Air Sanitizer and/or cause electric shock.
- Make sure the Air Sanitizer is completely dry before using.

### **Troubleshooting Guide**

<b>Common problem</b>	<b>Possible cause</b>	<b>Solutions</b>
Unit does not operate	1 The power switch is not turned on.  2 Not plugged in.	1 Turn the power switch in the back on and press the power ON button to turn on the sanitizer.  2 Check that the power cord is plugged in to a properly grounded outlet.
Airflow reduced or sanitizing effect is unsatisfied	1 Air inlet or air outlet is blocked.  2 Filter may be blocked.	1 Make sure the air inlet and outlet are not blocked.  2 Check and clean or replace the filter if necessary.
Increase in noise level	1 Air inlet or air outlet is blocked.  2 Filter may be blocked with lint, dust or pet hair.	1 Make sure the air inlet and outlet are not blocked.  2 Check and clean or replace the filter if necessary.

### **Customer Service**

If you did not find the solution to your problem or have a product question, contact our customer service at: [help@airouv.com](mailto:help@airouv.com)