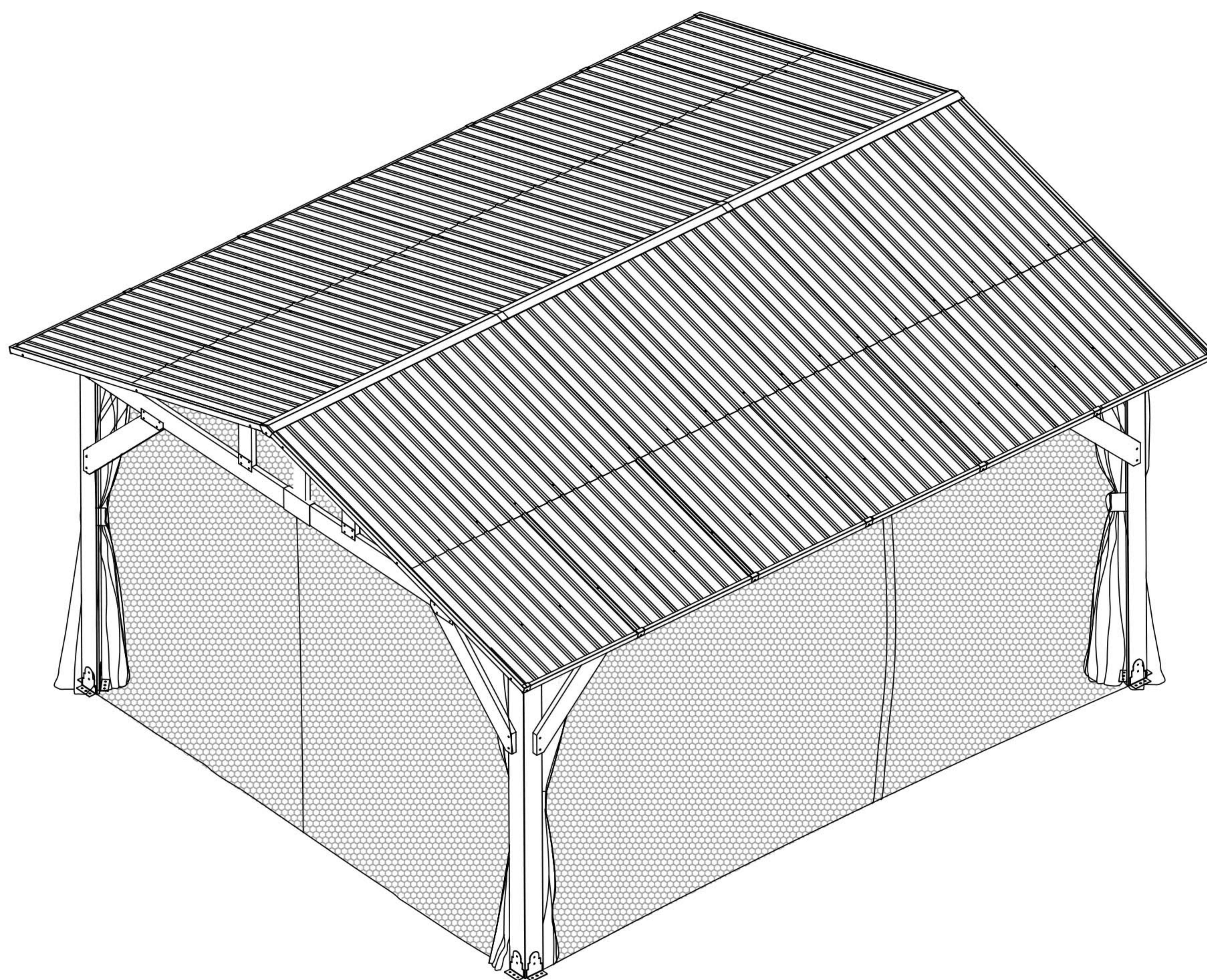


Wooden Gazebo
Netting and Curtain

13X15FT

SKU:CRZ24G044WB-BE

ASSEMBLY INSTRUCTIONS



Please check the number of parts in the following accessory catalogue when unpacking. We have sent you more small parts for spare. If there is any missing or any questions about the installation. Please feel free to contact us. We will reply within 24 hours.

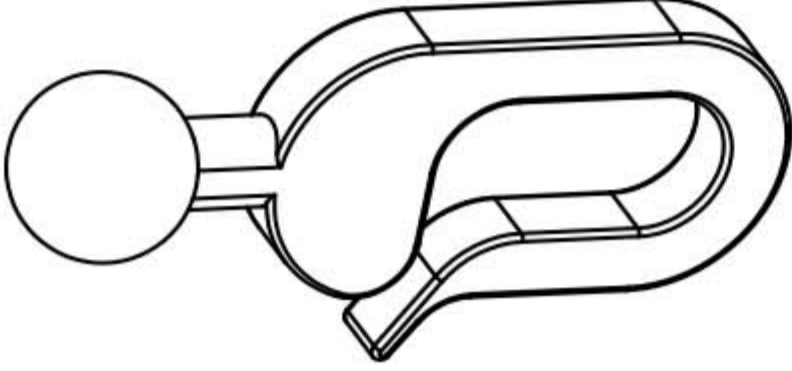

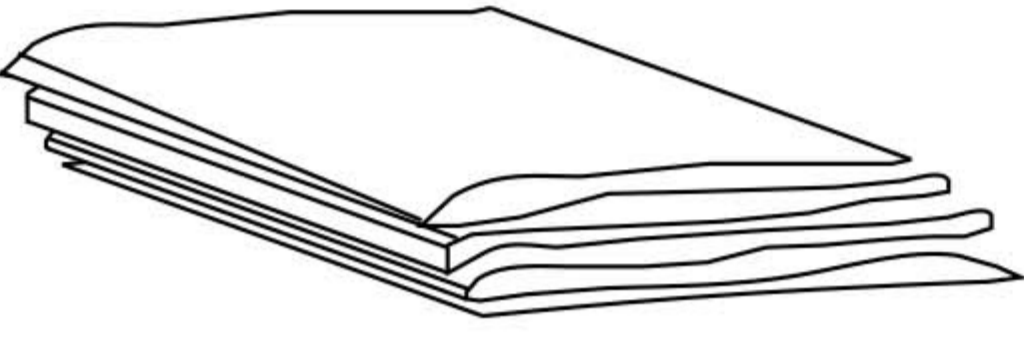

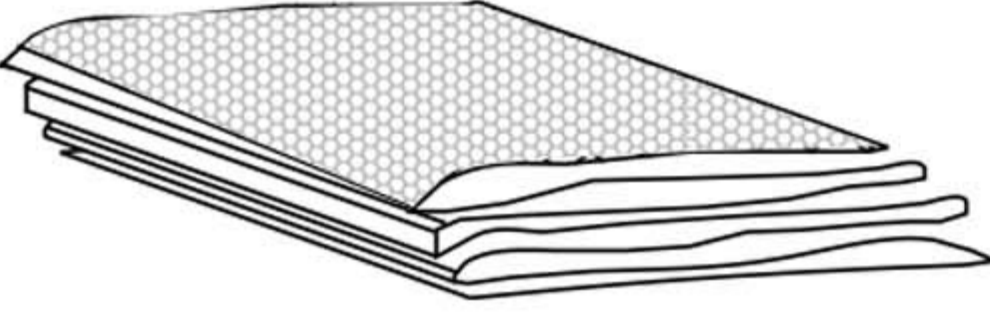
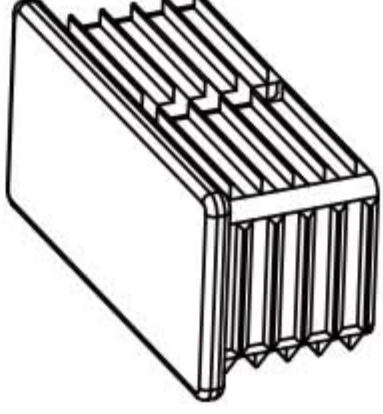
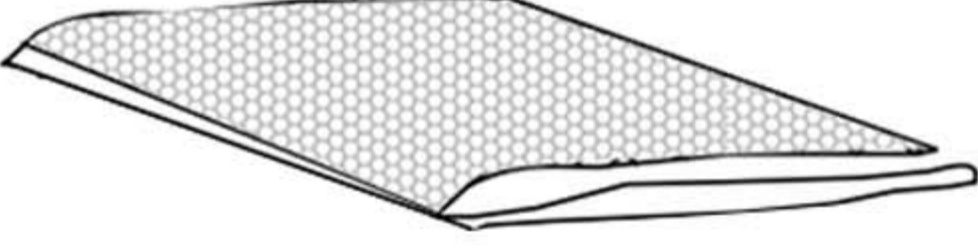
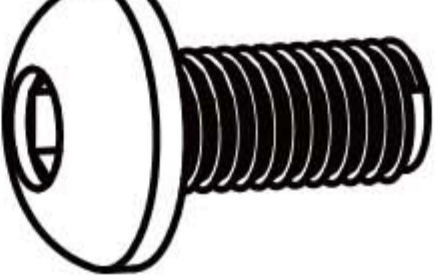

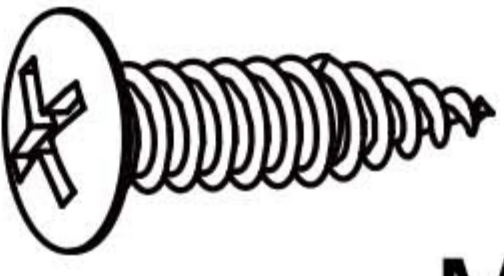



E-mail: cs.helper01@gmail.com

ACCESSORY CATALOGUE

BOX

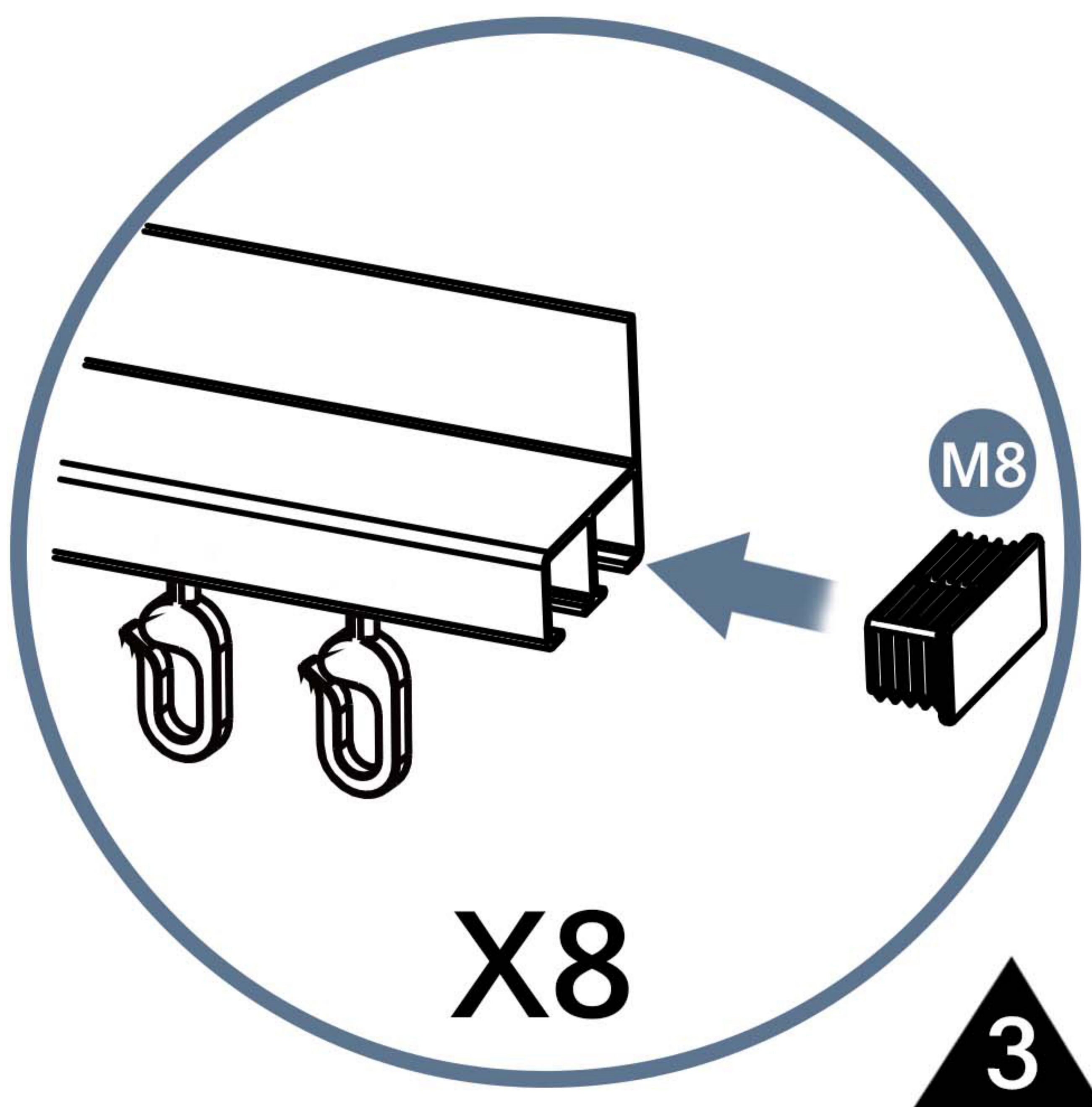
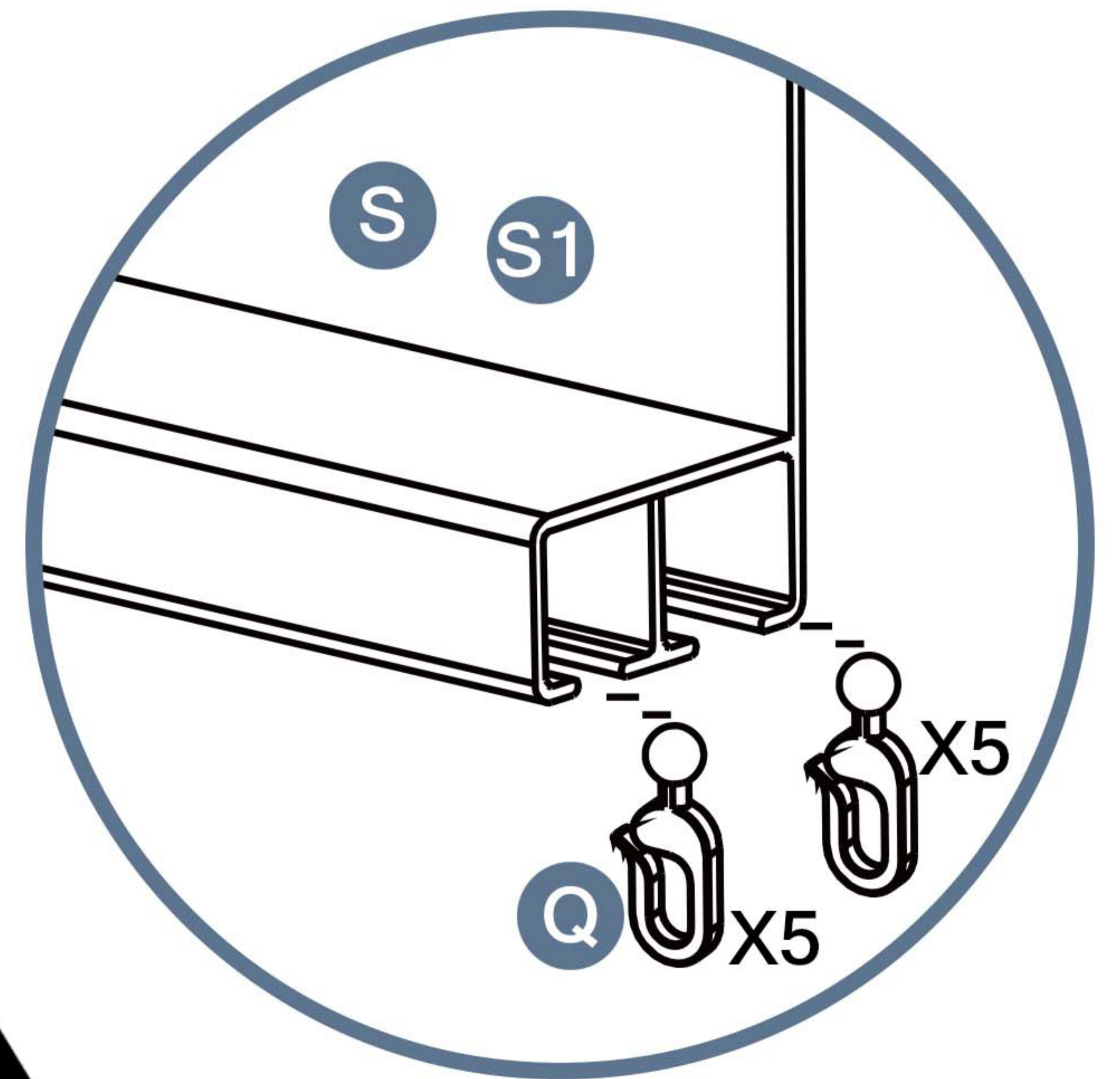
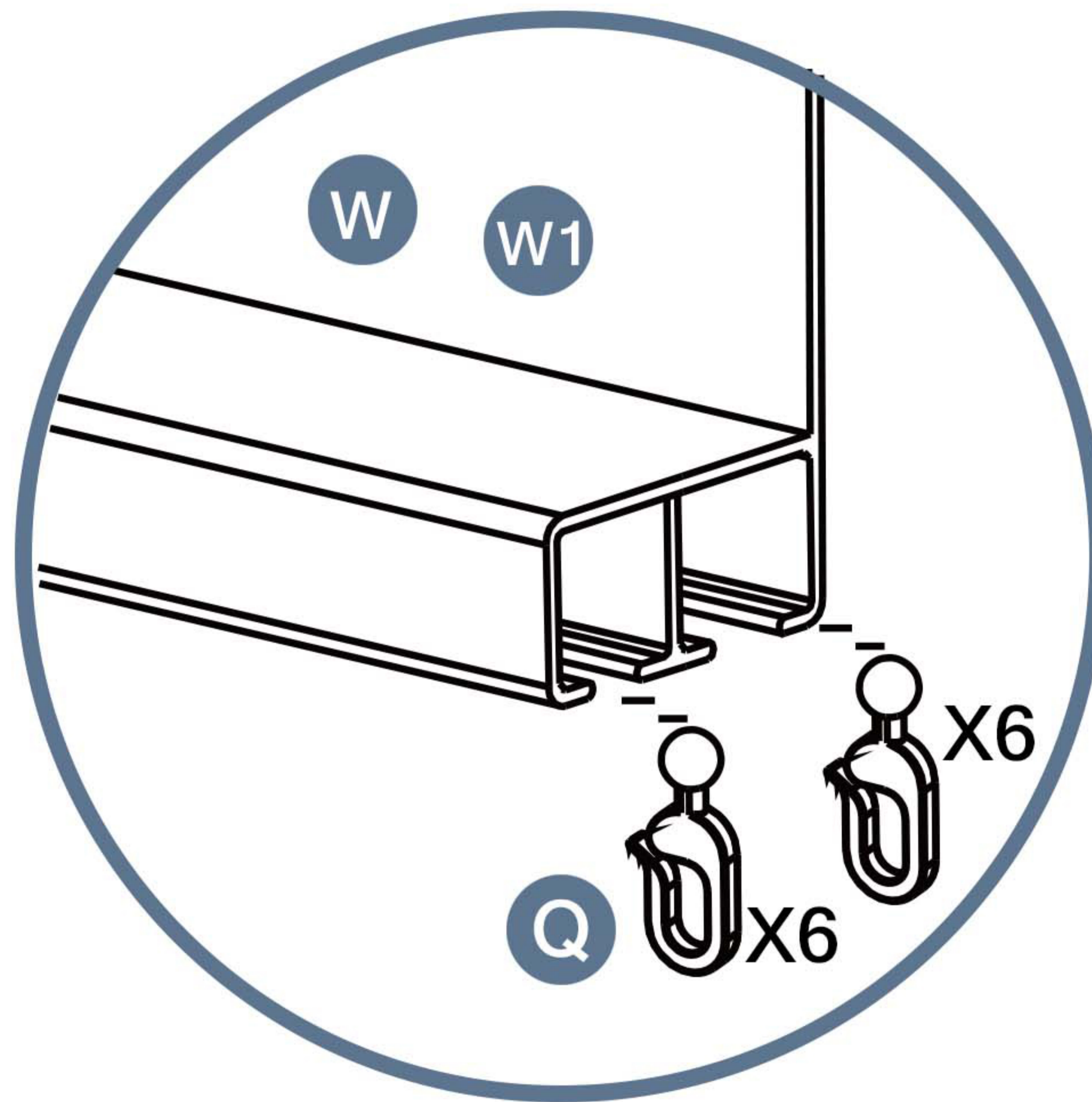
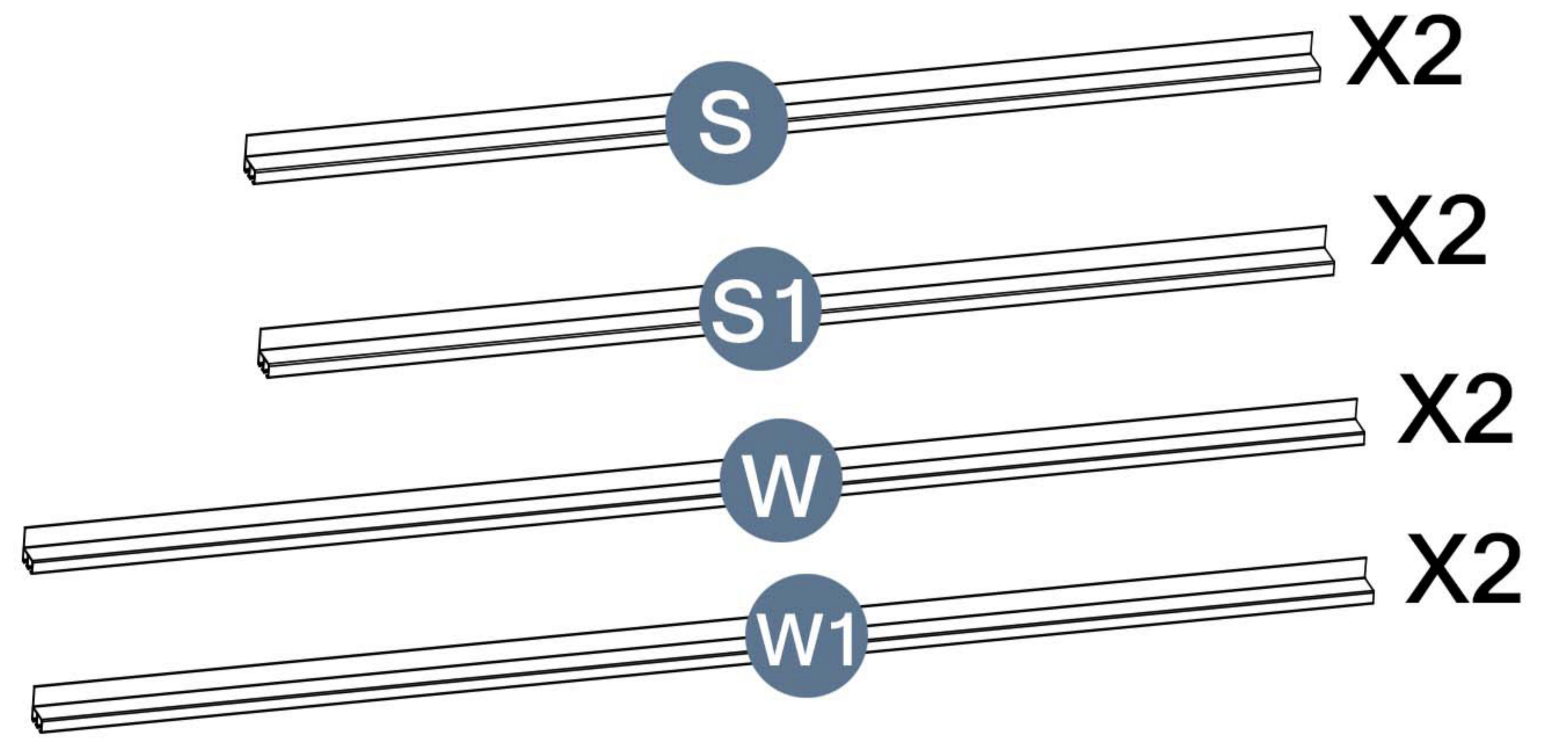
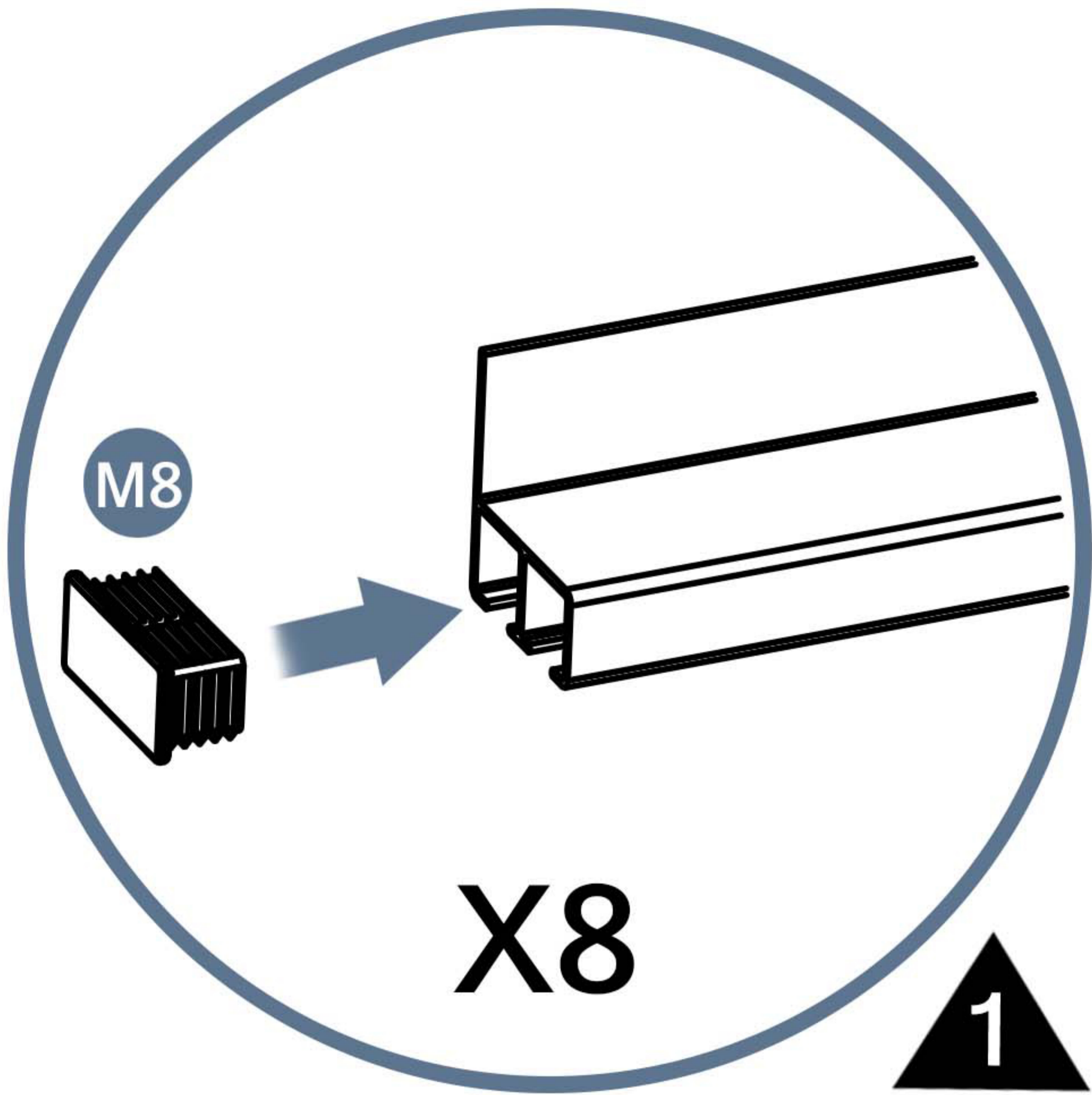
SKU:CRZ24G044WB-BE

Item no.	Reference Image	Qty.	Item no.	Reference Image	Qty.
Q		88	S		2
Z		1	S1		2
Z1		1	M8		16
Z2		2	X6	 M6X15mm	24
W		2	X8	 M4X15mm	28
W1		2			

STEP 1

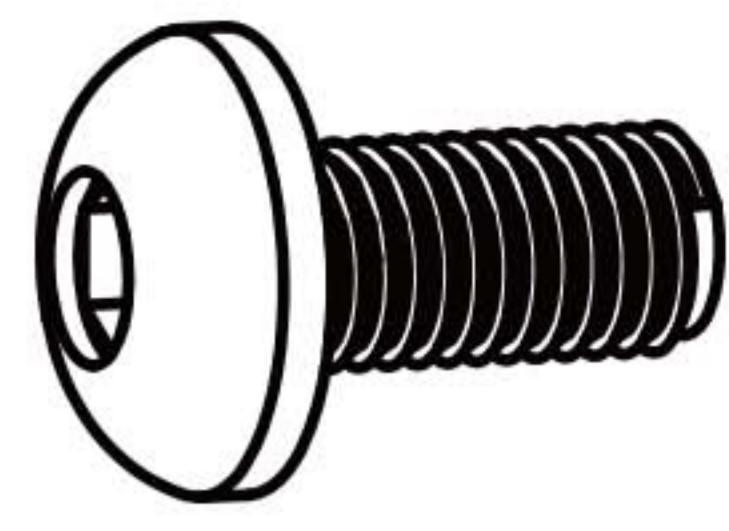
Parts required

- W 2pcs
- S 2pcs
- M8 16pcs
- W1 2pcs
- S1 2pcs
- Q 88pcs



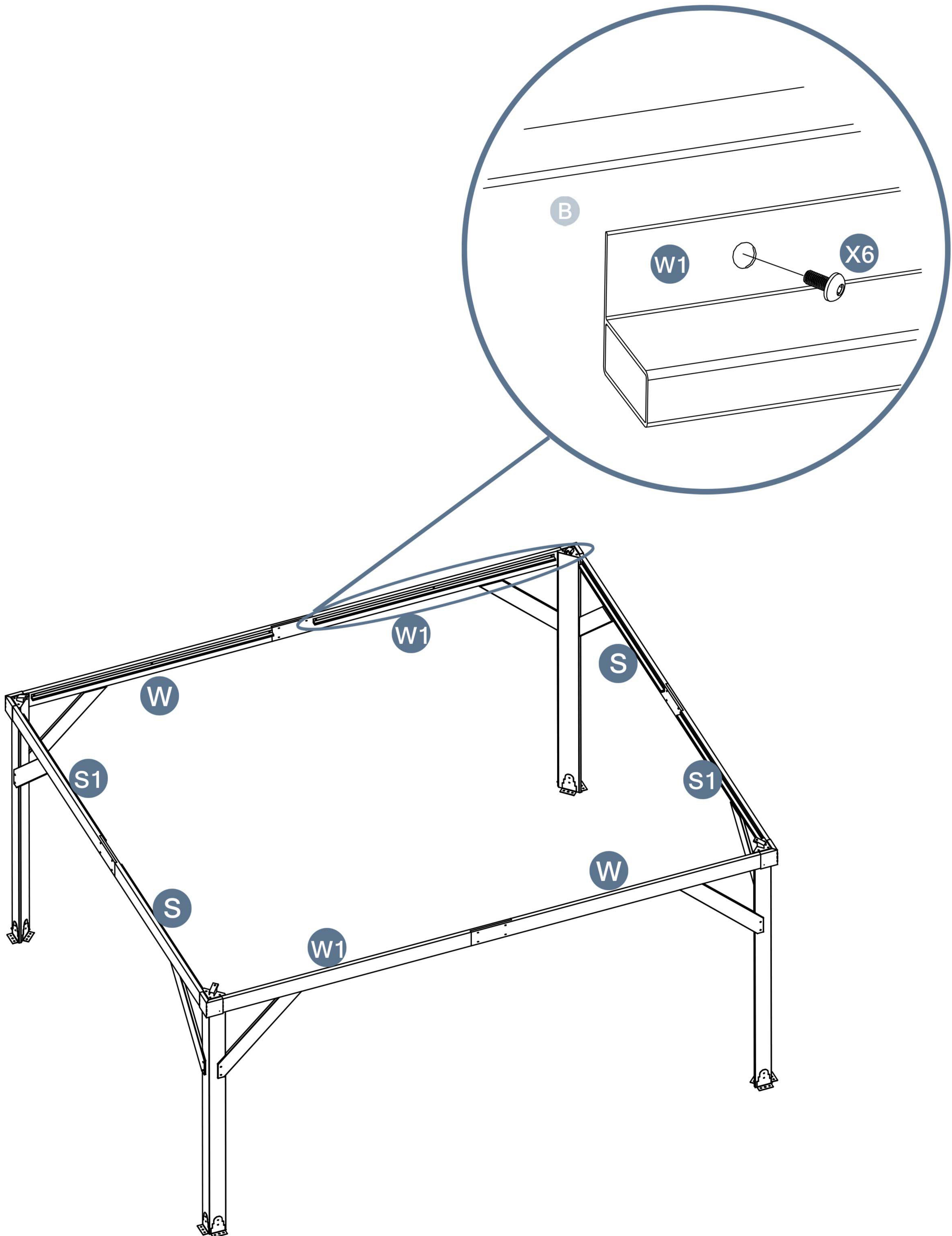
STEP 2

Parts required



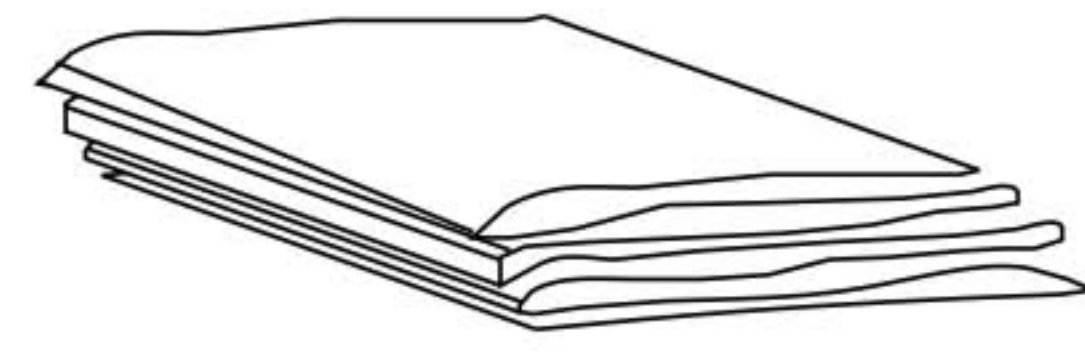
X6 24pcs

Please align the inner three holes of the **W** **W1** **S** **S1** parts before screwing

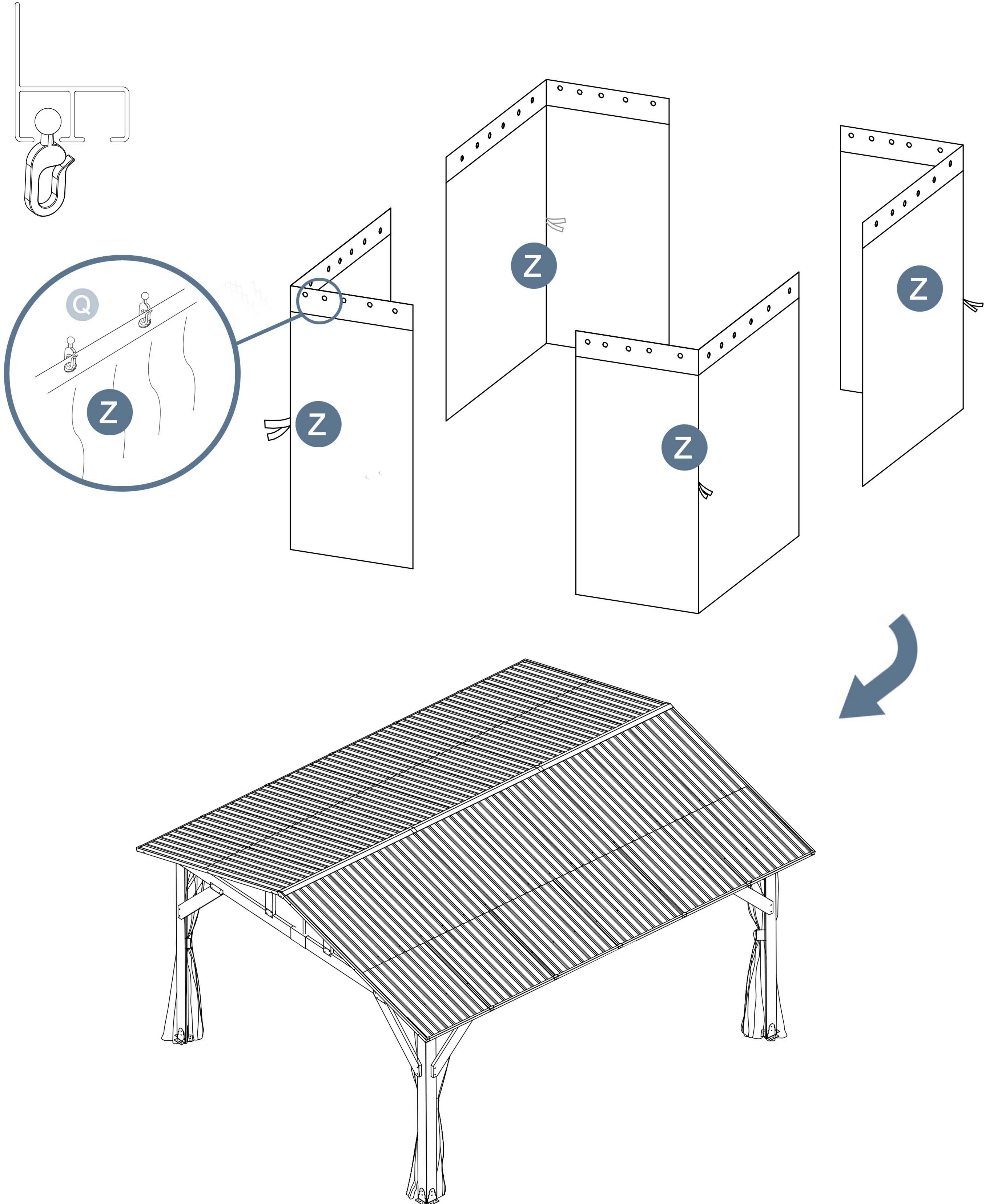


STEP 3

Parts required

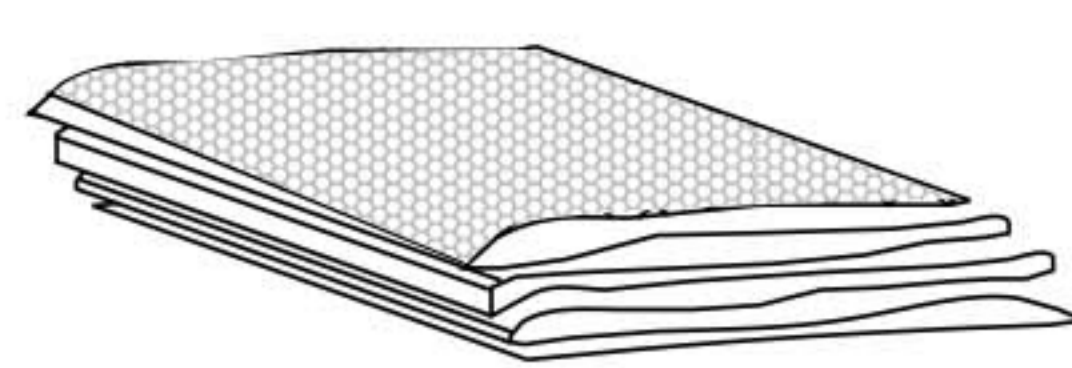


Z 1pcs

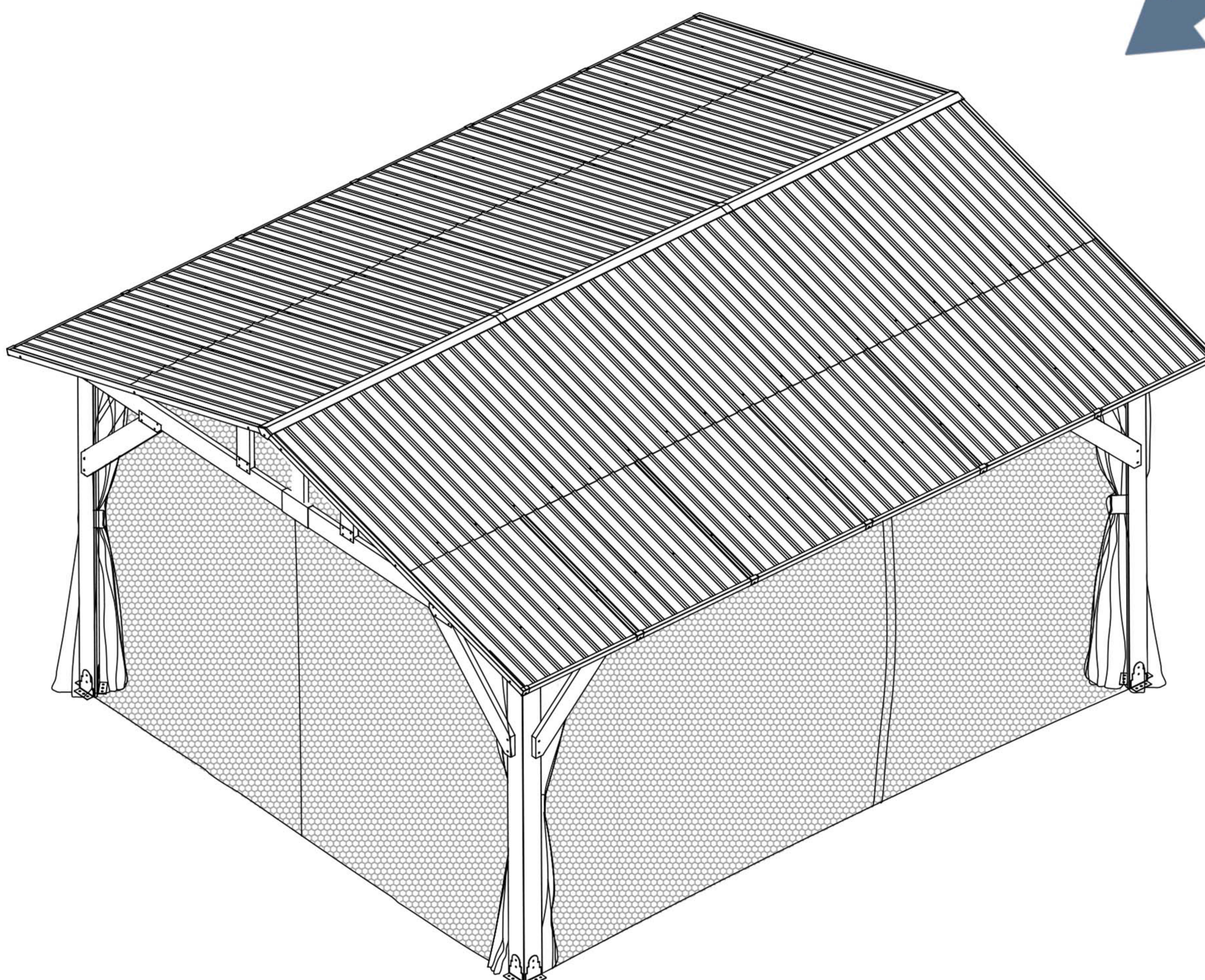
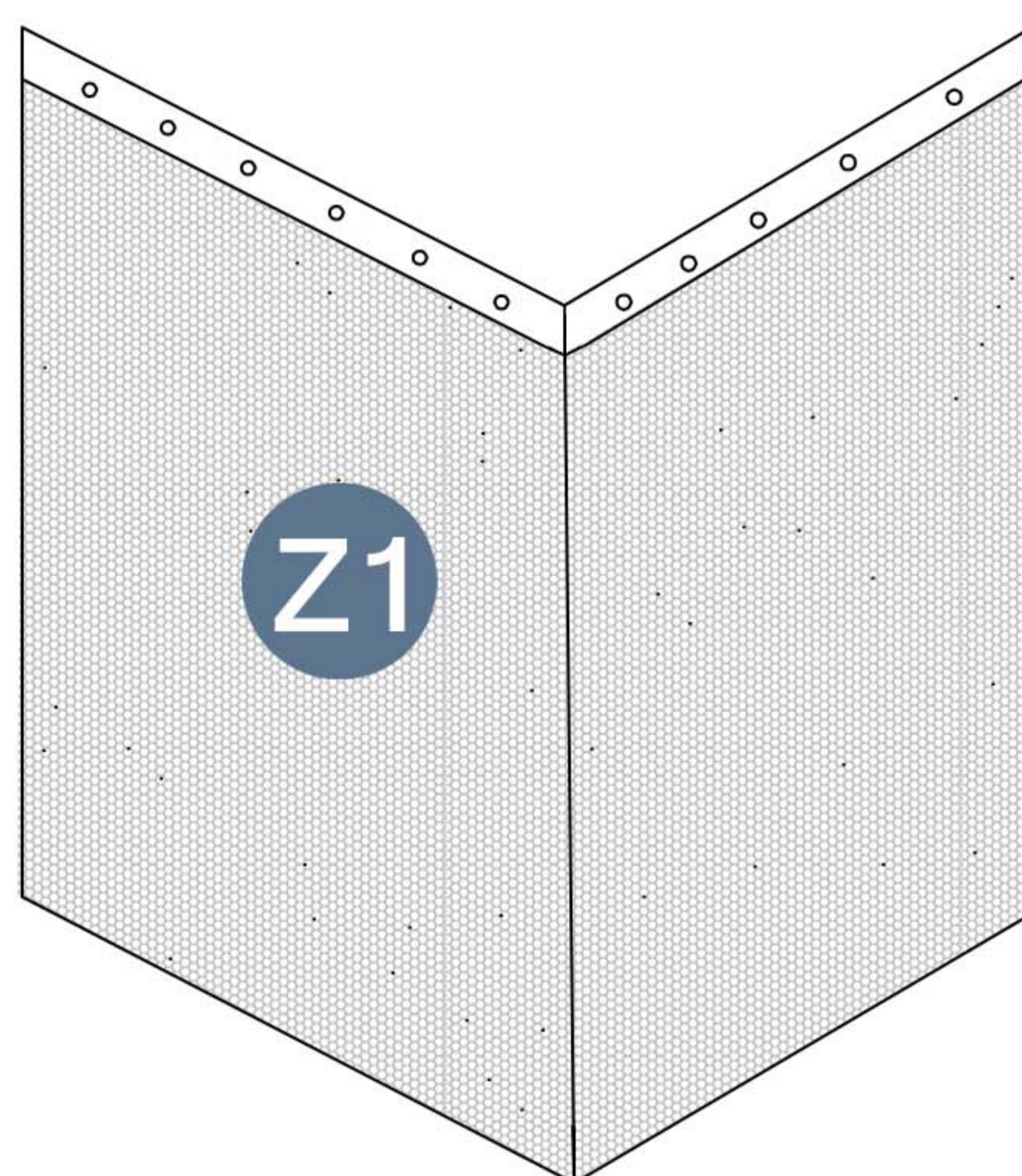
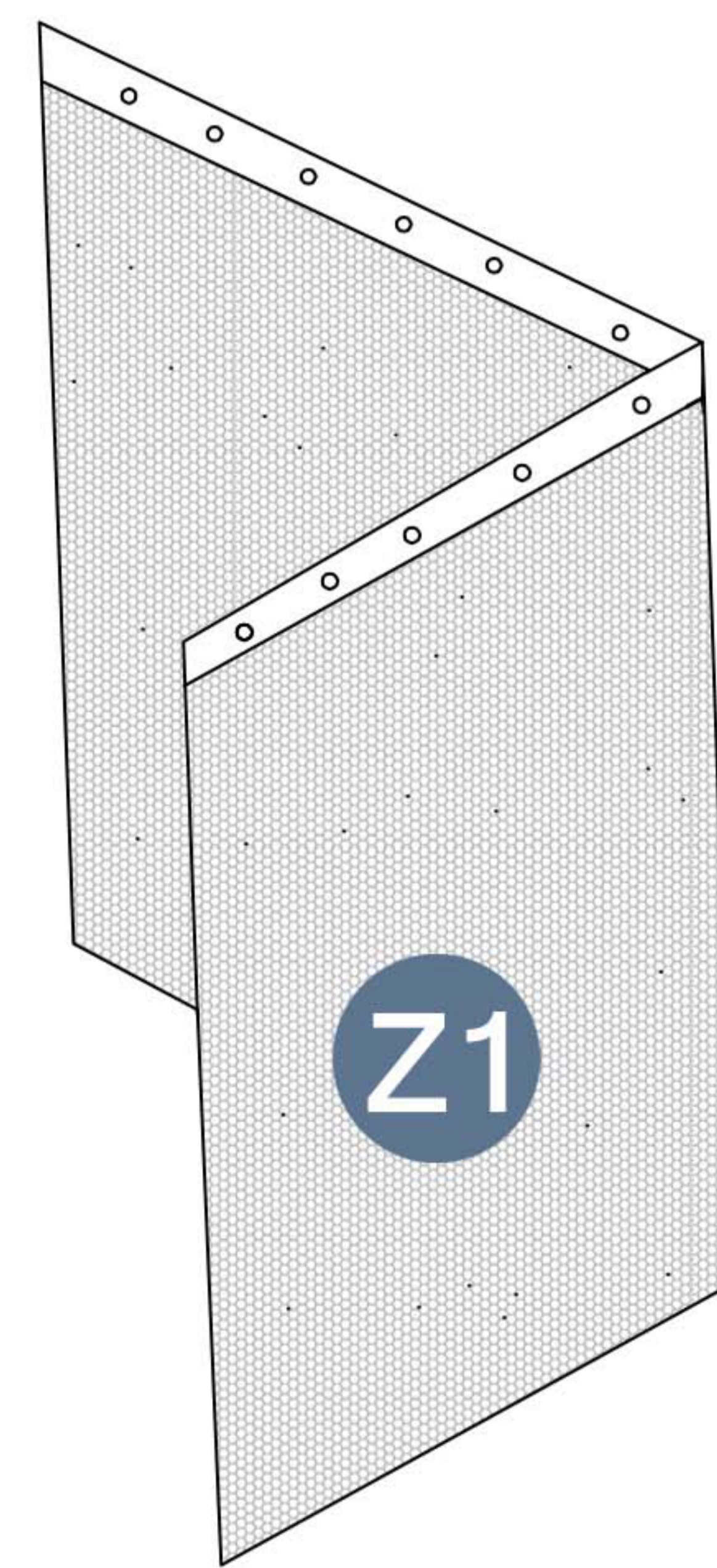
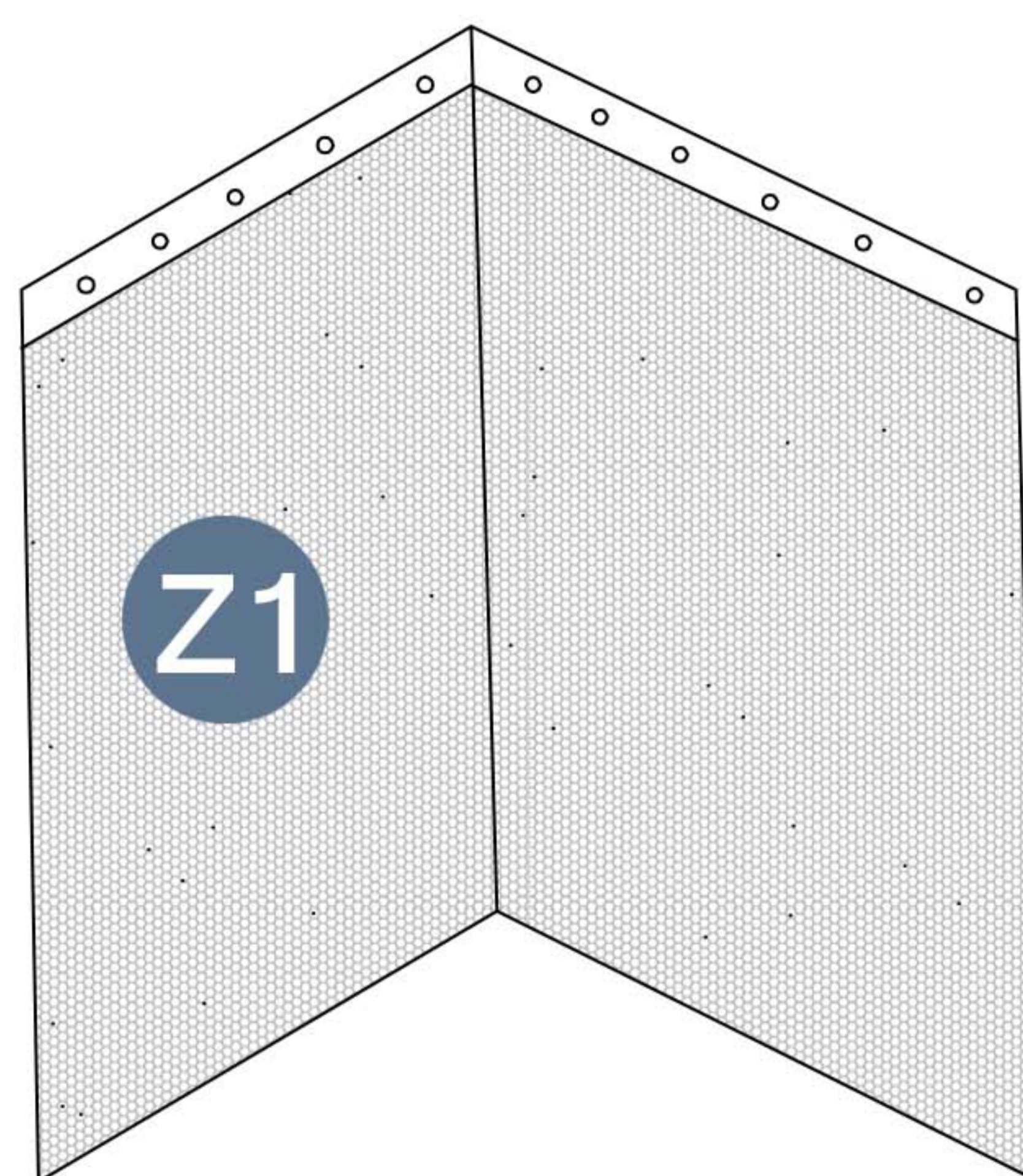
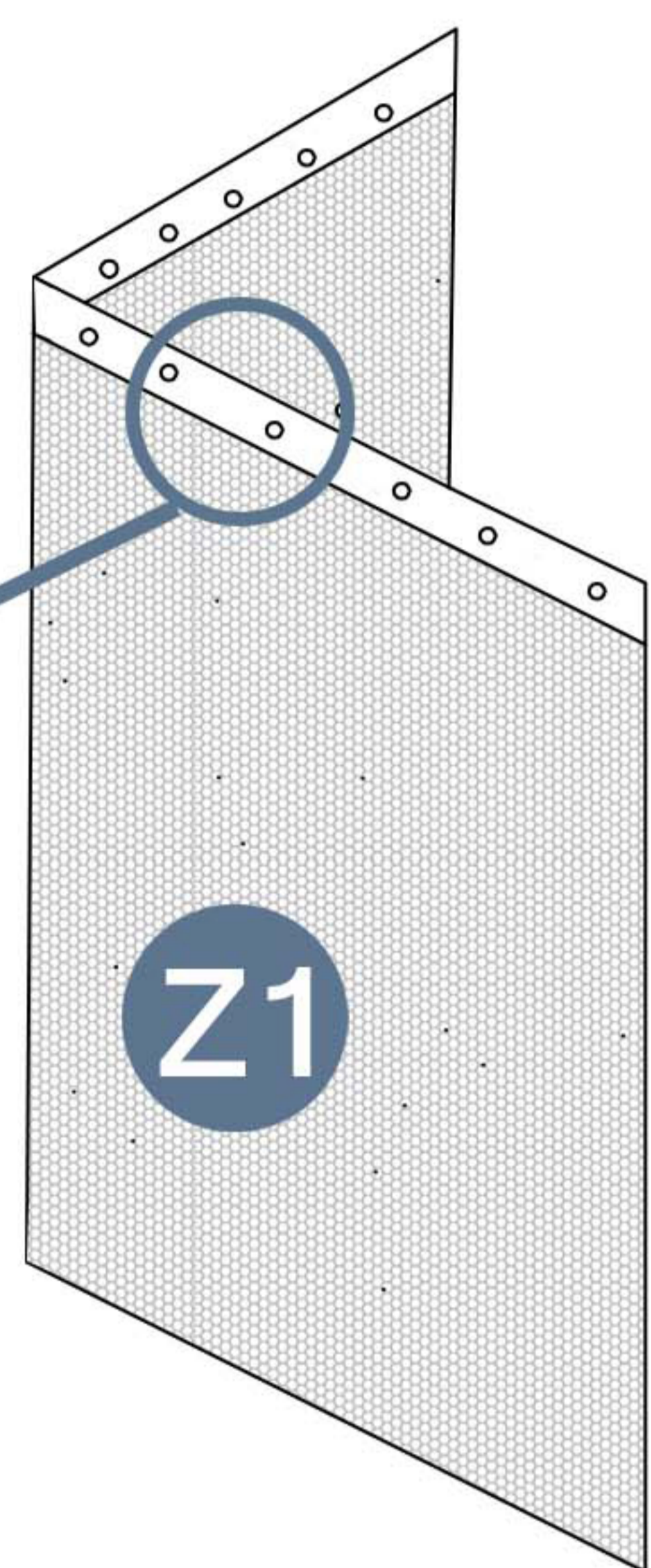
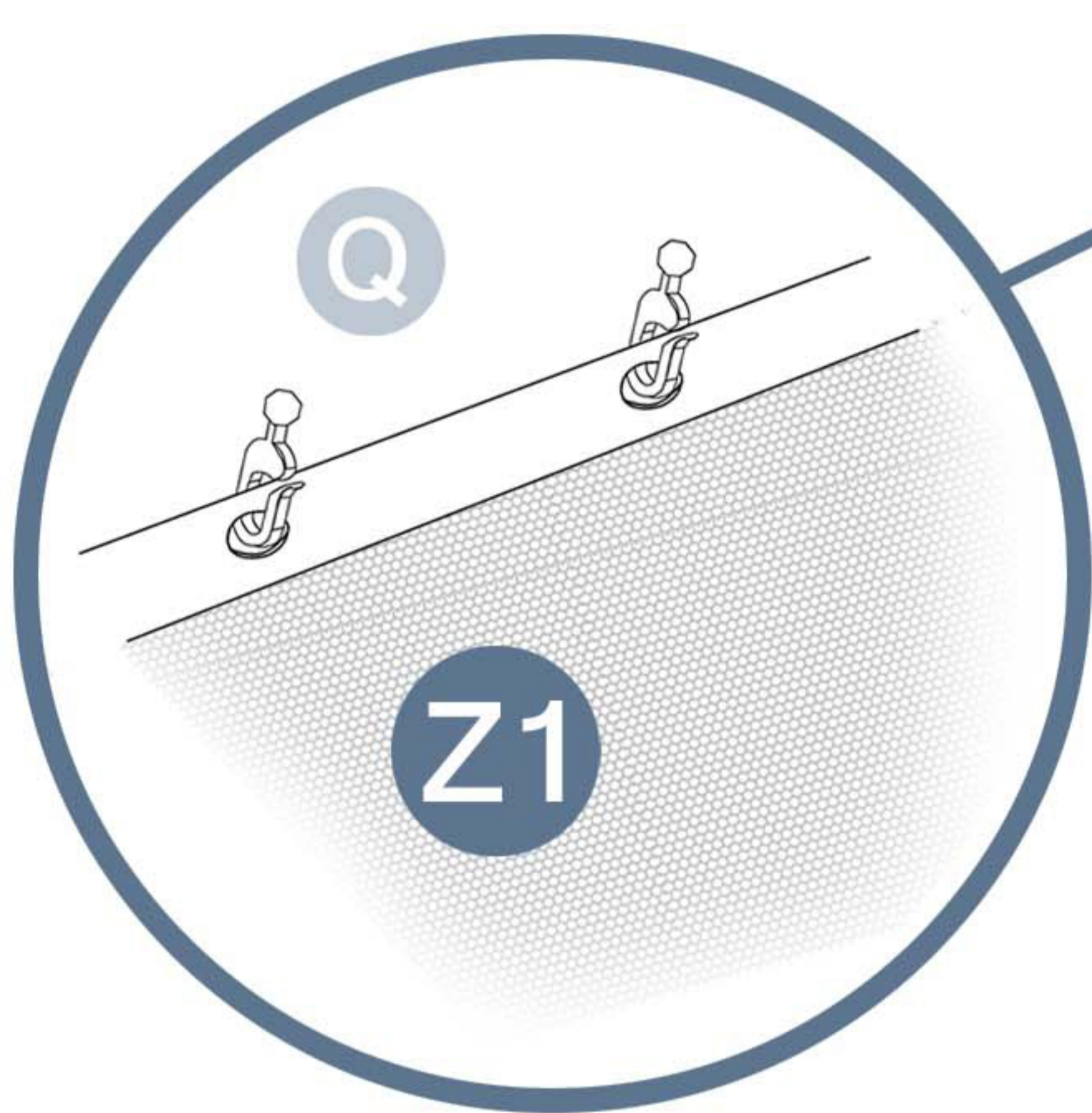
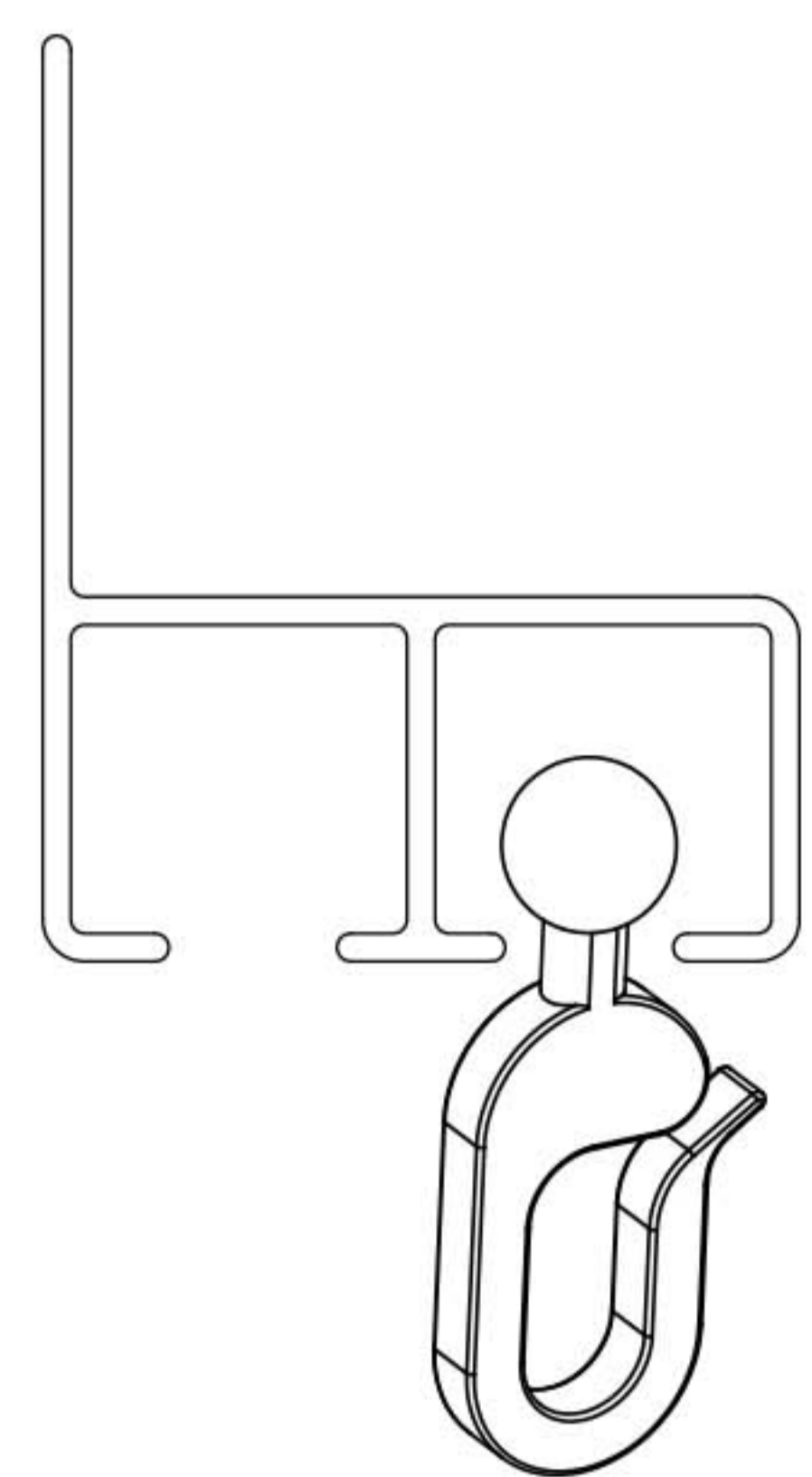


STEP 4

Parts required

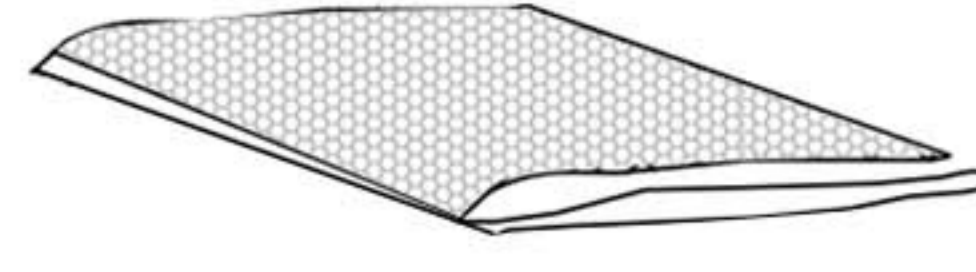


Z1 1pcs

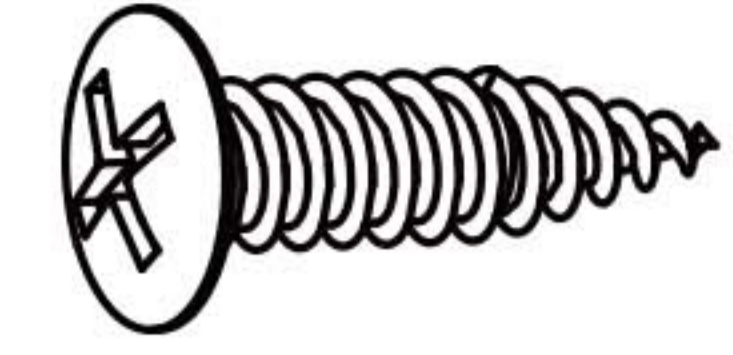


STEP 5

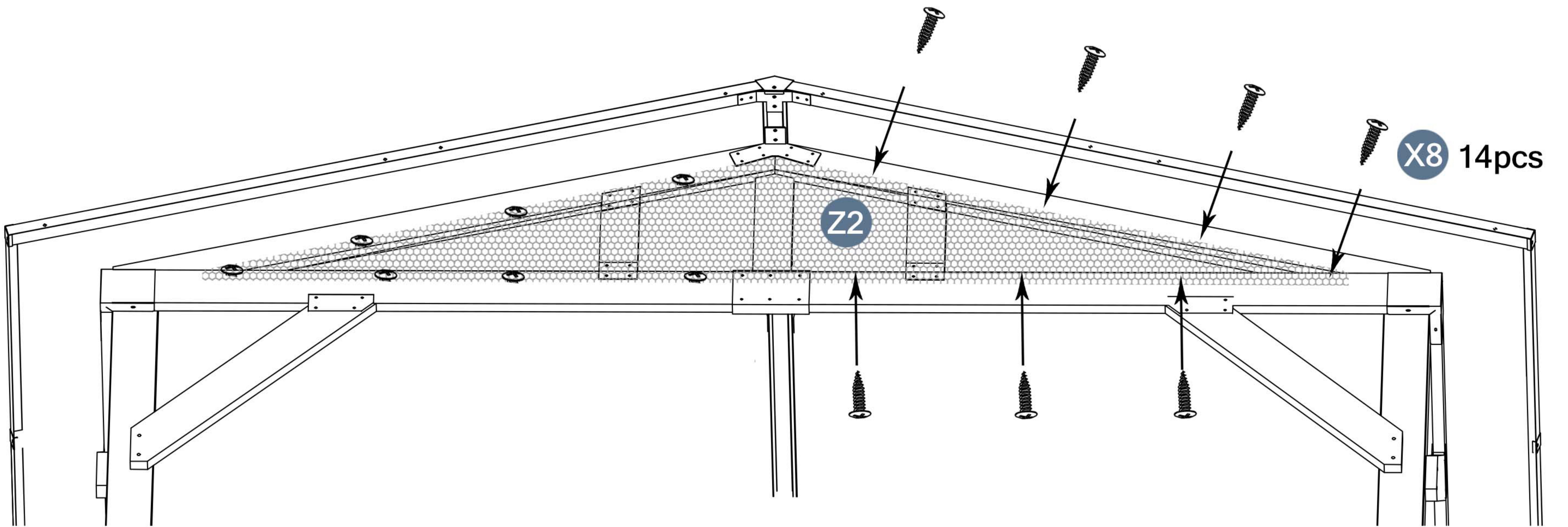
Parts required



Z2 2pcs



X8 28pcs



X2

Hope you enjoy this product.

If you have any concerns about gazebo Installation, please feel free to contact us. We will reply within 24 hours.



E-mail: cs.helper01@gmail.com