

BODY MOUNT SHIELD

Accessory Name	Parts Number	Application Model	Issue Date	Publication No.	
Windscreen	08R70-K1Z-J10	After '18 PCX150/A	May 2022	MII 16688	

Introduction


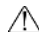




ALL INFORMATION, ILLUSTRATIONS, DIRECTIONS AND SPECIFICATIONS INCLUDED IN THIS PUBLICATION ARE BASED ON THE LATEST PRODUCT INFORMATION AVAILABLE AT THE TIME OF APPROVAL FOR PRINTING. Honda Motor Co., Ltd. RESERVES THE RIGHT TO MAKE CHANGES AT ANY TIME WITHOUT NOTICE AND WITHOUT INCURRING ANY OBLIGATION WHATSOEVER. NO PART OF THIS PUBLICATION MAY BE REPRODUCED WITHOUT WRITTEN PERMISSION. THIS MANUAL IS WRITTEN FOR PERSONS WHO HAVE ACQUIRED BASIC KNOWLEDGE OF MAINTENANCE ON Honda MOTORCYCLES, MOTOR SCOOTERS OR ATVS.

Honda Dealer:
Please give a copy of these instructions to your customer.

Customer:
Because it requires specialized knowledge and special tools and equipment, it is recommended to install it at a dealer with qualified automobile maintenance.

How To Read These Symbols

Your safety, and the safety of others, is very important. To help you make informed decisions we have provided safety messages and other information throughout this manual.

-  **WARNING** You CAN be KILLED or SERIOUSLY HURT if you don't follow instructions.
-  **CAUTION** You CAN be HURT if you don't follow instructions.
-  **NOTICE** The purpose of this message is to help prevent damage to your vehicle, other property, or the environment.
-  **NOTE** Things you want to know, things that are useful to know.
-  Follow the instructions of the Service Manual.
-  Follow the other symbol instructions of the "Installation Instructions BASIC".

Instruction Other Symbols
The symbols used throughout this instructions show specific service procedures. Refer to "Installation Instructions BASIC" for description of each symbol.

INFORMATION

CAUTION

- To prevent burns, allow the engine, exhaust system, radiator, etc., to cool before installing the accessory.

NOTICE

- Take care not to damage the painted surfaces of the motorcycle.

NOTE:

- This item cannot be installed at the same time as the knuckle visor.
- Save all removed parts unless otherwise indicated.

PARTS LIST

When the instruction manual and installation instructions are included in this kit, be sure to give them to the customer.

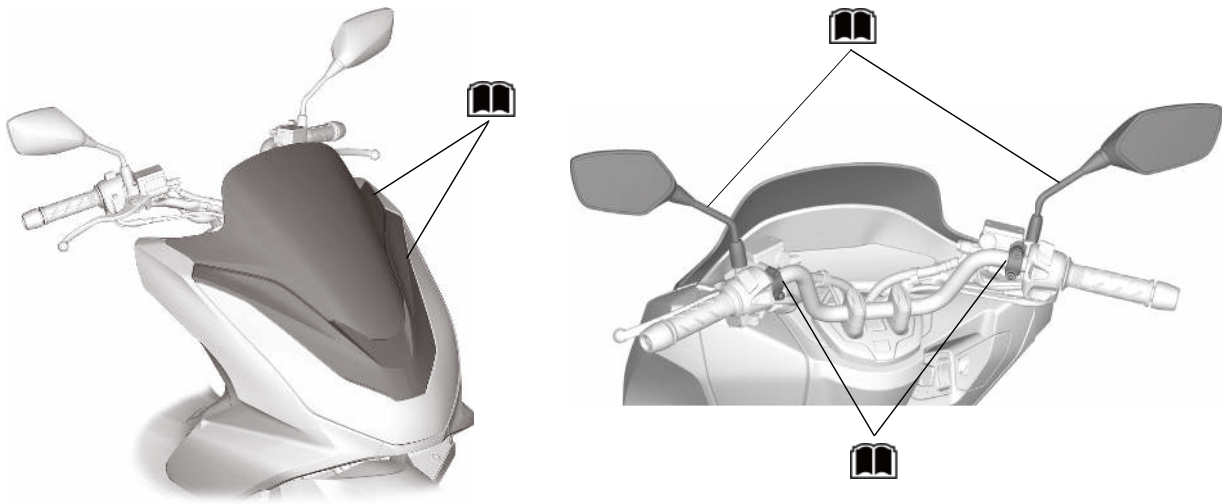
Component	No.	Parts Name	Qty	Parts No.
	(1)	Body mount shield	1	-
	(2)	Right screen stay	1	-
	(3)	Left screen stay	1	-
	(4)	Master cylinder holder	2	45518-MFN-D01
	(5)	Rubber washer	8	08R80-KTW-80039
	(6)	6×20 mm socket bolt	4	08R80-KTW-80072
	(7)	Flange collar	4	08R80-KWN-80017
	(8)	6 mm washer	2	94101-06700
	(9)	6×35 mm socket bolt	2	96600-06035-07
	(10)	Handle lever bracket plug	2	53174-463-770
	(11)	6 mm flange nut	4	94050-06070
	(12)	6×12 mm washer bolt	2	93404-06012-08
	(13)	Square nut	2	50318-K97-T00
	(14)	Collar	4	08R00-K96-J00

TORQUE INFORMATION

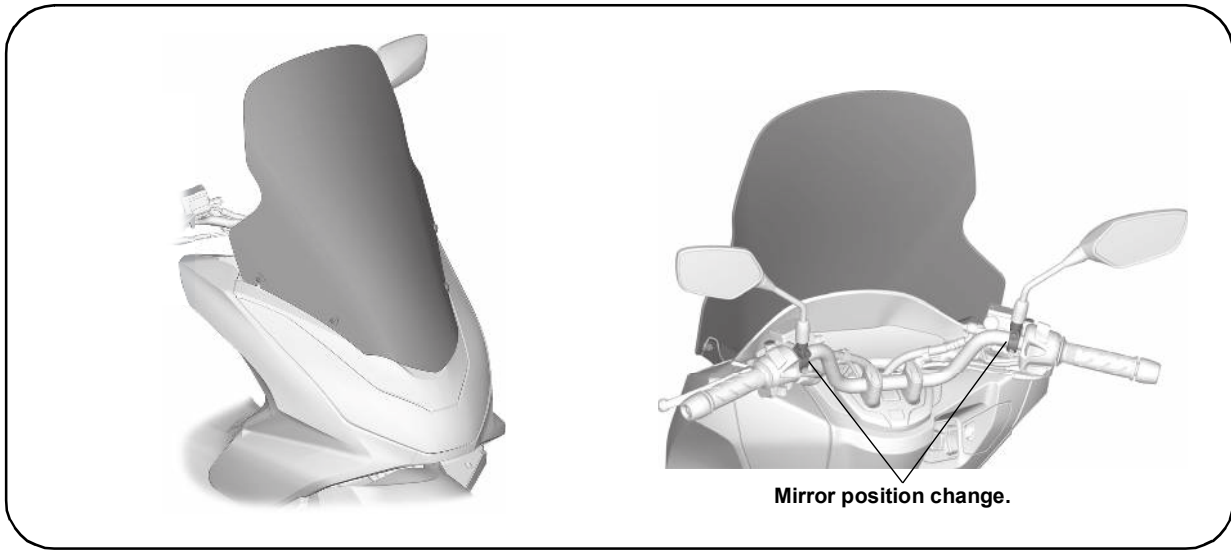
Refer to the Service Manual for the torque values of the removed parts. (III)

INSTALLATION

1. Refer to the Service Manual for the motorcycle, remove the motorcycle parts as shown. (11)

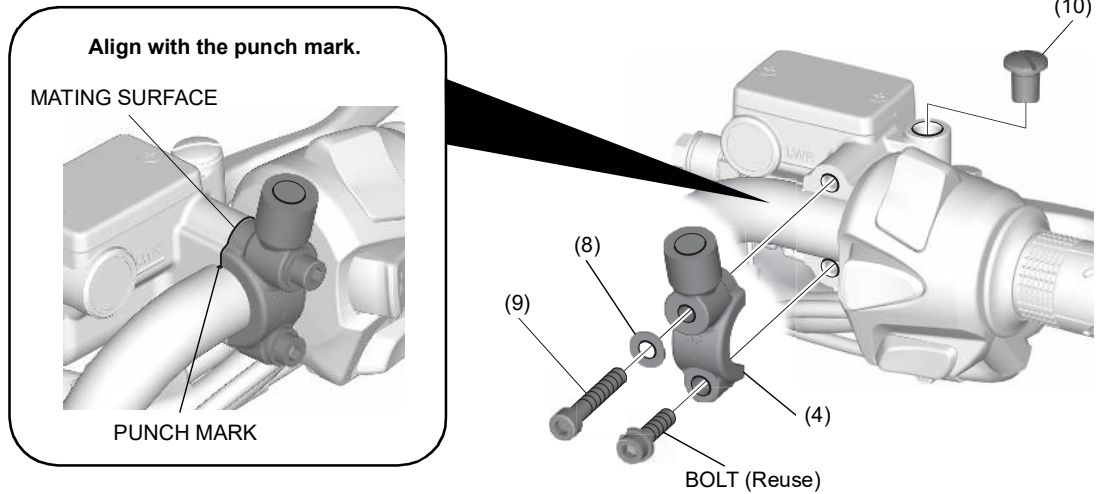


INSTALLATION IMAGE



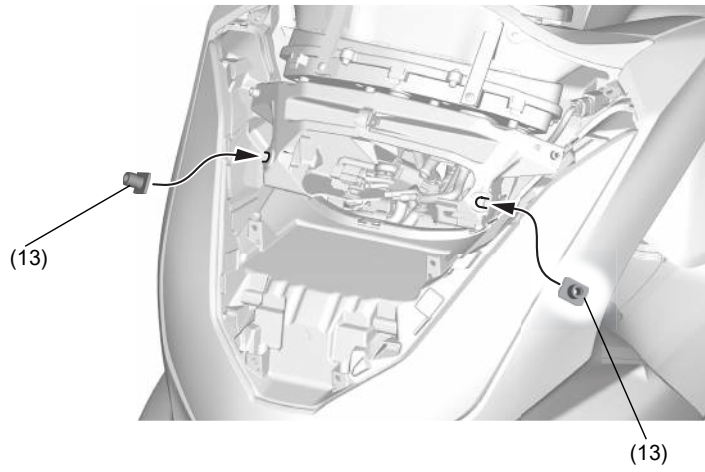
Mirror position change.

2. Install as shown.

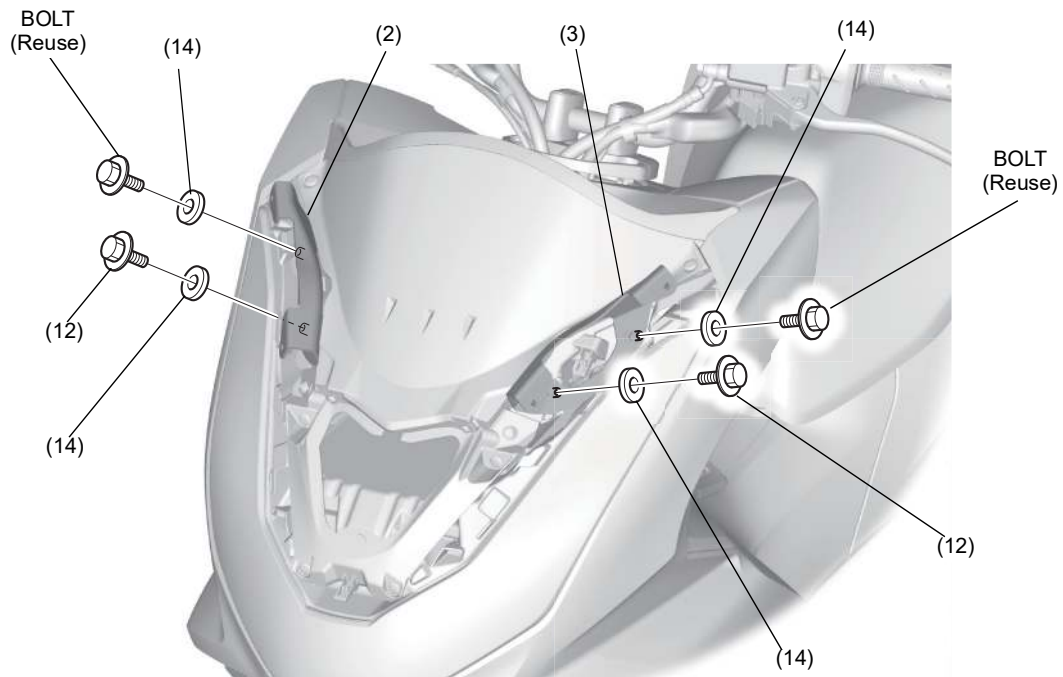


3. Install the left side in the same manner as the right side.

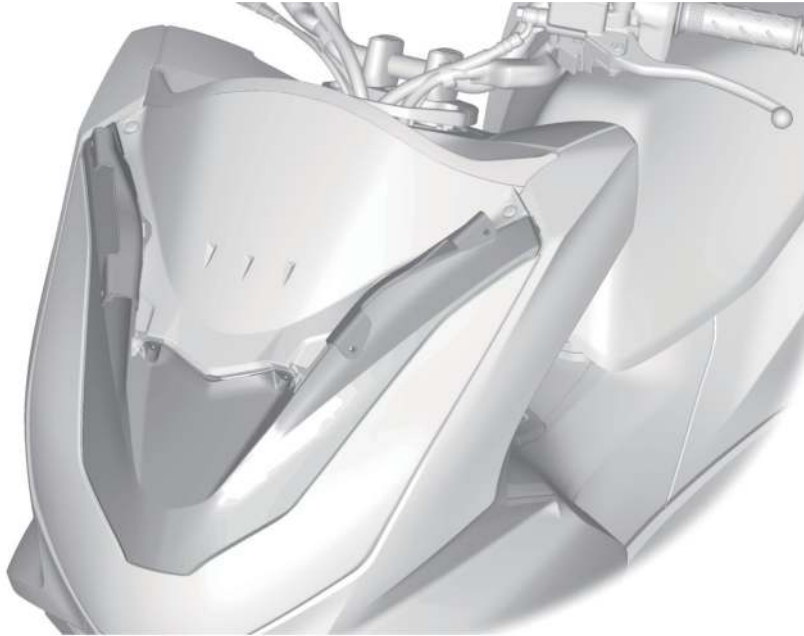
4. Install as shown.



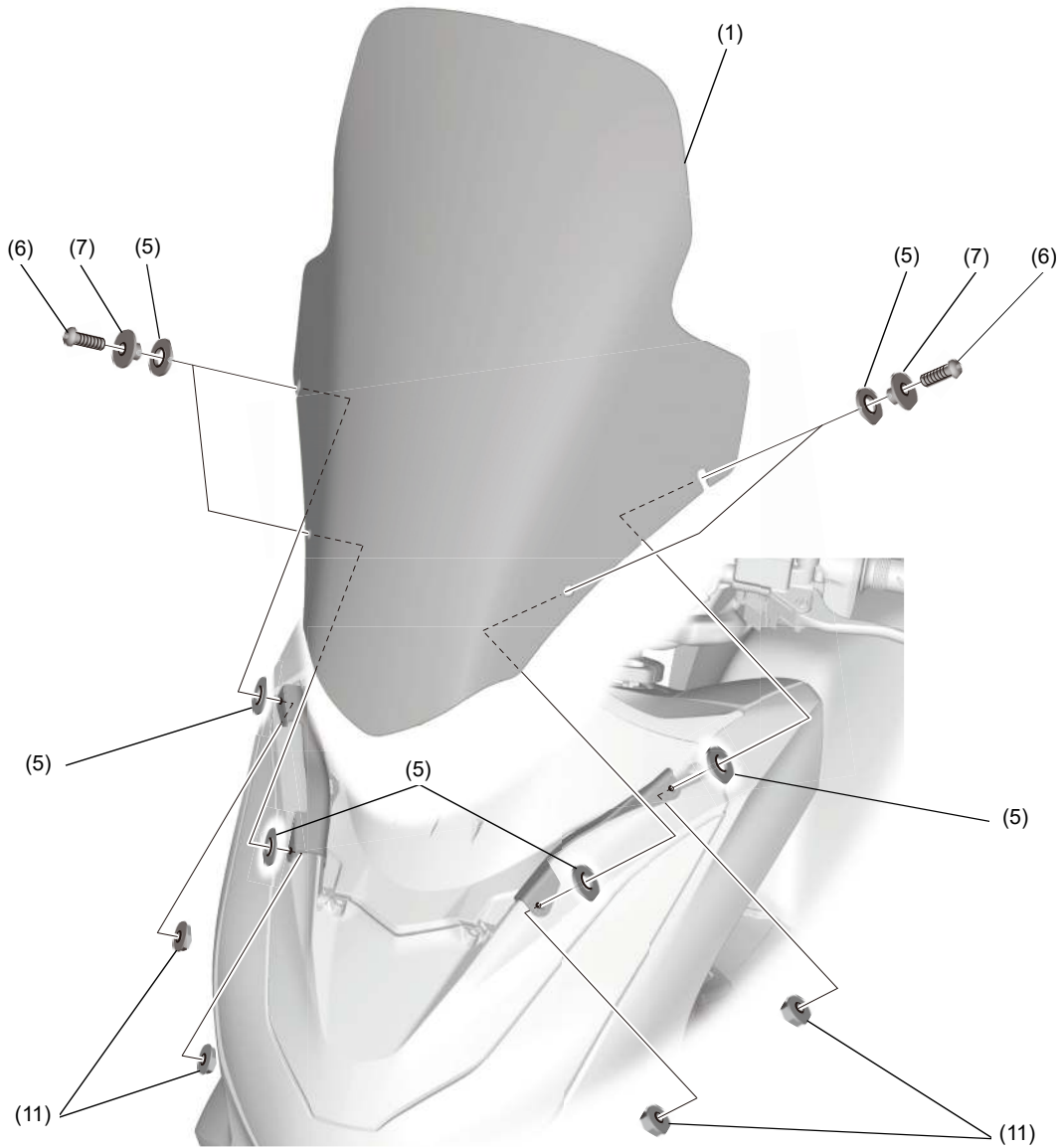
5. Install as shown.



6. Install as shown.



7. Install as shown.



8. Install the motorcycle's parts in the reverse order of removal.
 • **Confirm that any harness is not caught or too tight.**

9. Adjust the mirror to a position where viewing the rear area is possible.
 • **Turn the handlebar to the left and the right and confirm that it does not interfere with the body mount shield.**
 • **Keep a distance of 10 mm to the body mount shield.**