

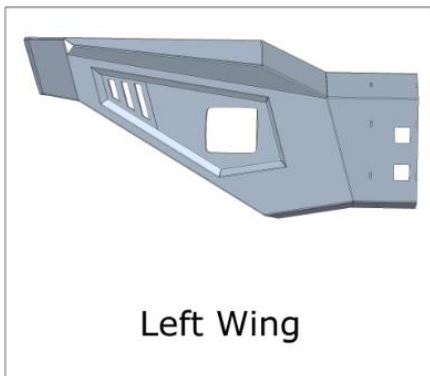
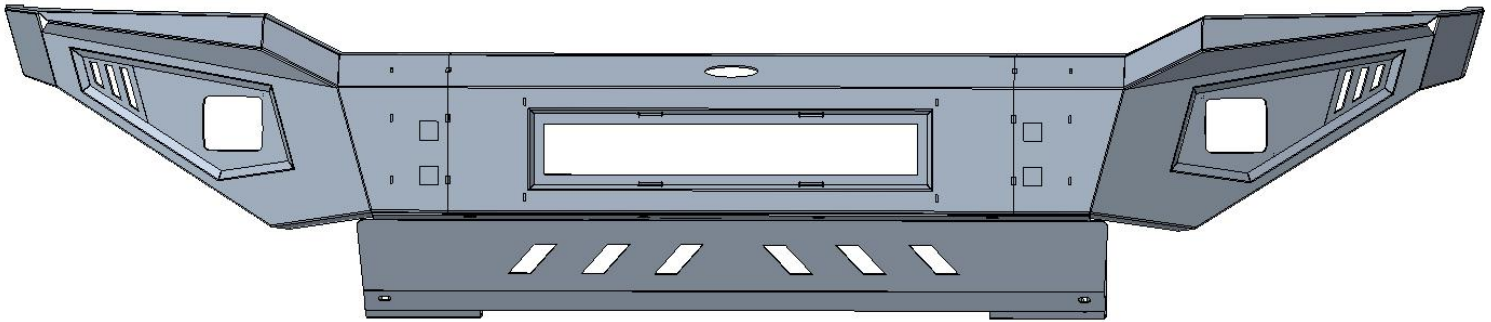


**MAKE A DIFFERENCE**

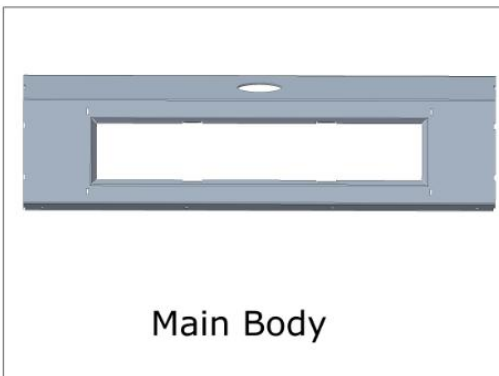
**Front Bumper**

**BXG.5204-S**

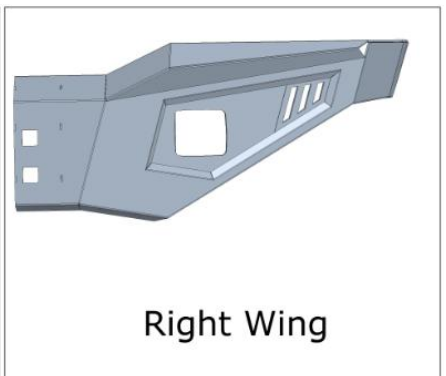
**(1)Contents:**



Left Wing



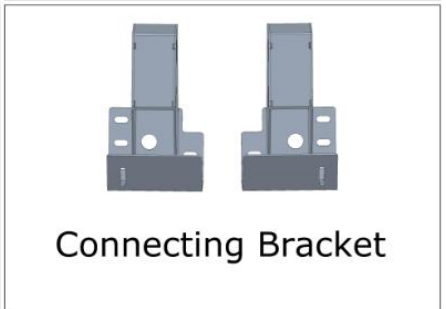
Main Body



Right Wing



Skid Plate



Connecting Bracket

Qty	Part Name	Size(mm)	Picture
4	Hex Bolt	M12*110	
6	Hex Bolt	M12*30	
6	Button Head Socket Cap Bolts Screws	M8*20	
10	Split Lock Washer	M12	
6	Split Lock Washer	M8	
6	Flat Washer	M8*16*1.2	
20	Flat Washer	M12*30*2	
10	Hex Nuts	M12	
6	Flange Hex Lock Nuts	M8	

## **(2)Tools required:**

- A. 14mm HEX Socket Wrench;
- B. 19mm HEX Socket Wrench;
- C. 18mm Wrench;
- D. 5mm HEX Socket Wrench;



## **(3)Installation time:**

About 1-2 hours, 2-3 people may be needed. Installation time may differ according to your mechanical skill level.

(PLEASE VERIFY ALL PARTS ARE PRESENT AND READ INSTRUCTIONS CAREFULLY BEFORE STARTING INSTALLATION!)

To view the electronic version (BXG.5204-S), please scan the QR code.



## (4) Installation instruction:

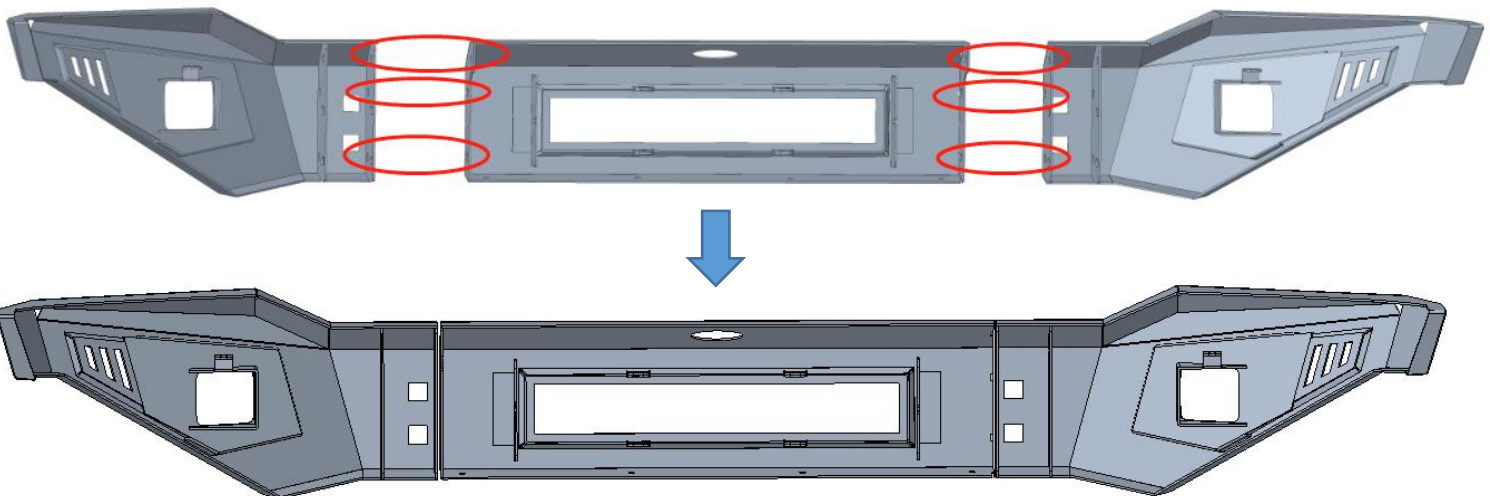
Step 1:

Remove the original bumper. As the picture shown.



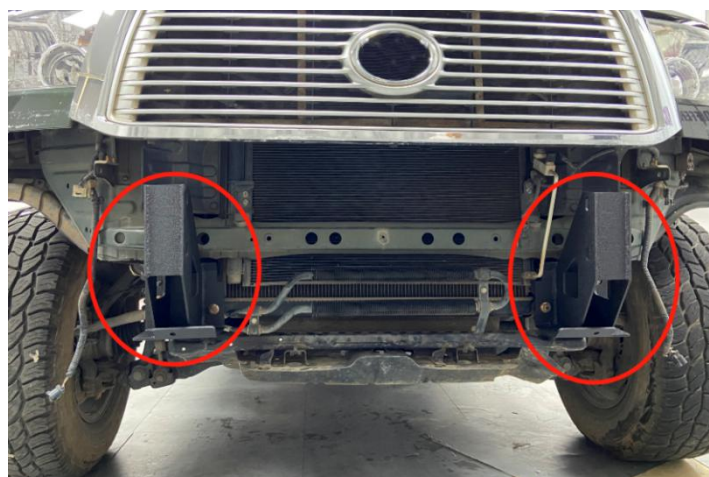
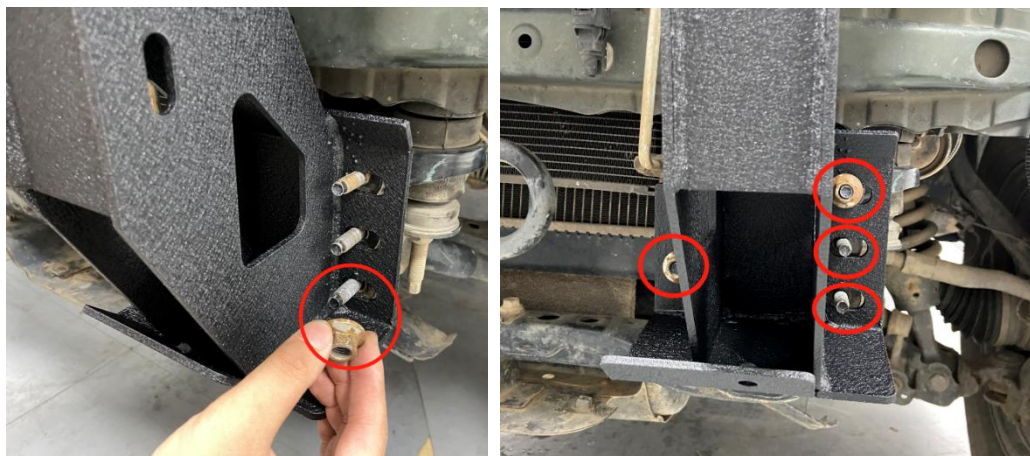
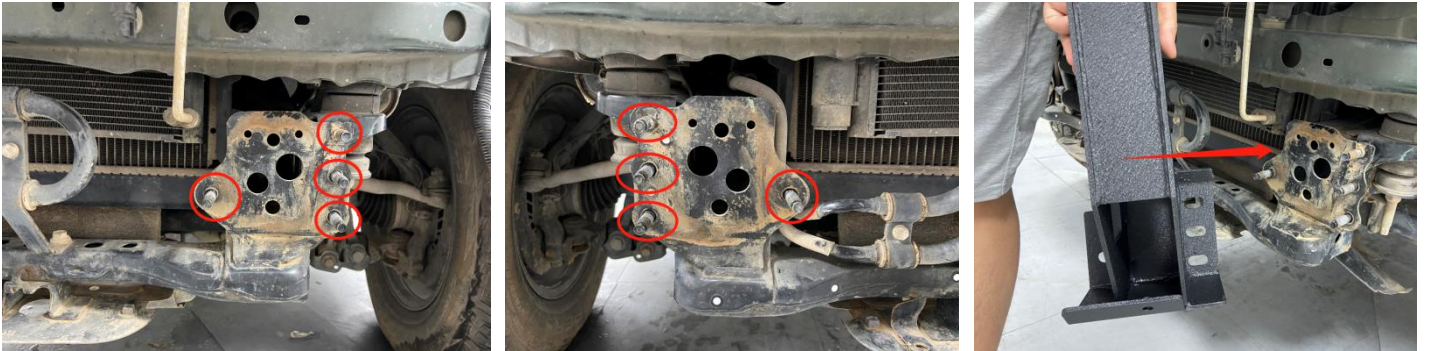
Step 2:

Assemble the left & right wings and the main body with the Hex Bolts(M12\*30), Split Lock Washer (D12), Flat Washer (M12\*30\*2), Hex Nuts (M12).



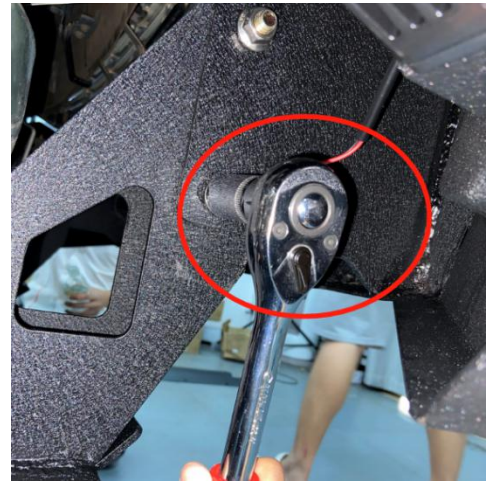
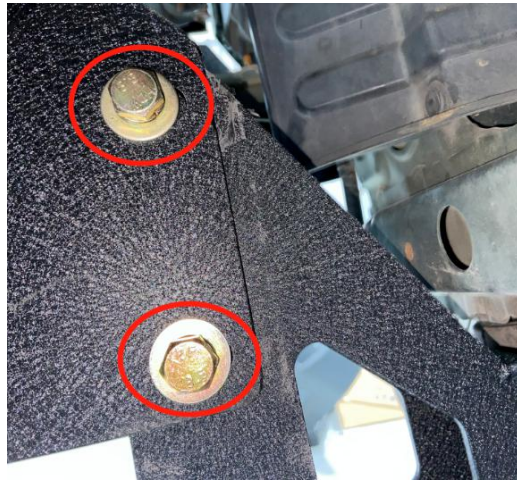
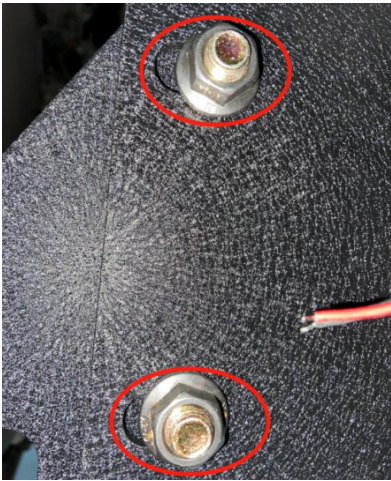
Step 3:

Install the connecting bracket into the vehicle frame with the factory bolts.



Step 4:

Install the bumper into your vehicle with the Hex Bolt (M12\*110), Split Lock Washer (D12), Flat Washer (M12\*30\*2), Hex Nuts (M12).

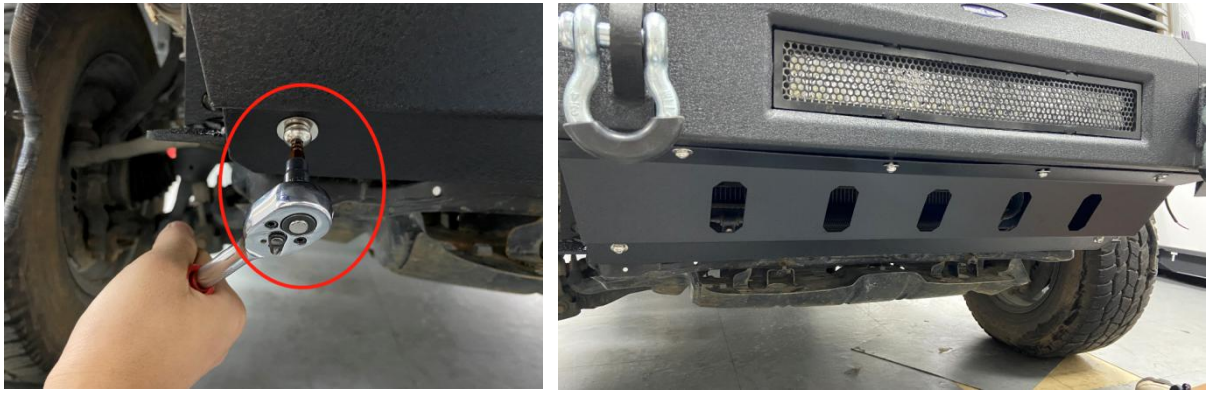




Step 5:

Install the skid plate with the Button Head Socket Cap Bolts Screws (M8\*20), Split Lock Washer (D8), Flat Washer (M8\*16\*1.2), Flange Hex Lock Nuts (M8).





Step 6:

The installation is complete. We hope you enjoy a wonderful off-road life with this quality product!



## **Attention:**

**1.The product parts in this instruction may differ slightly from the actual product contents but generally does not affect the installation of the product.**

**2.Please feel free to contact your distributor if you have any kind of question about your purchase.**

**Google Hooke Road** to find your parts



Post Your Jeep/Truck  
w/Hashtag #hookeroad to Win Discount Every Week