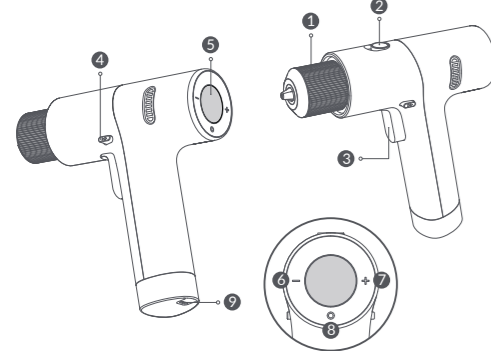


## 01 Product Overview

Read this manual carefully before use, and retain it for future reference.

Thank you for choosing HOTO 12V Brushless Drill. The product is for tightening and loosening screws, and drilling holes on wood, metal, plastic and bricks. Not suitable for drilling on hard materials like concrete or stone. Please choose the right bit or drill according to the material you will drill on.



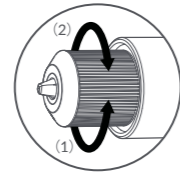
- 1 Chuck
- 2 Function Switch
- 3 Major Switch/Switch Flip
- 4 Reverse/Lock-up Pushbutton
- 5 Screen
- 6 Gear-off Button
- 7 Gear-up Button
- 8 Mode Switch
- 9 Type-C Charging Mouth

15

## 02 How to Use

### Bit/Drill Installing

- Rotate the chuck in the direction of arrow (1), and release the chuck until the bit/drill can be inserted. Insert the bit/drill and turn the chuck in the direction of arrow (2) until the bit/drill is locked in place. Do not use machine inertia to lock the chuck. Please make sure the batch/drill is locked in place before pressing the Major Switch to start usage.



### Major Switch/Switch Flip

- The switch flip allows Continuously Variable Transmission.
- By increasing press on the switch, the rotation of bit/drill also speeds up.

### Reverse/Lock-up Pushbutton

The Reverse/Lock-up Pushbutton can change the rotation direction of the driller or lock up the Major Switch/Switch Flip.

- Clockwise Rotation:** When drilling/screwing, press Reverse/Lock-up Pushbutton to the left extreme. Now on Screen, icon "↻" lights up.
- Anticlockwise Rotation:** When drilling/unscrewing, press Reverse/Lock-up Pushbutton to the right extreme. Now on Screen, icon "↺" lights up.

- Lock-up of Major Switch/Switch Flip: push Reverse/Lock-up Pushbutton to the middle. On Screen, icons "↕" "↔" will not show.



16

### Function Switch

- Screwing:** Push Function Switch to Screw Position "T" and press Major Switch/Switch Flip. The drill will operate at a low speed, suitable for screwing/unscrewing.
- Drilling:** Push Function Switch to Drill Position "I" and press Major Switch/Switch Flip. The drill will operate at a high speed, suitable for drilling.

### Mode Switch

Press Mode Switch to choose between self-select mode and pulse mode.

- Pulse mode:** Press Mode Switch until the "M" symbol is displayed on the screen. Under the pulse mode, the machine operates intermittently at a lower speed, which is suitable for newcomers to practise and familiarise themselves with the operation, and can avoid screw blows.
- Self-select mode:** Press Mode Switch until numbers indicating different gears are displayed on the screen.



17

### Gear Adjustment under Self-select Mode.

Self-select mode has 30 gears. Press once to gear up or to gear off in order to adjust torque step by step. Long press or to rapidly switch gears.

### Screwing Function:

For materials that are soft or easy to deform and crack: It is recommended to start from lower gears and not to exceed gear 5. This will prevent excessive torque that damages the components. Gear 1 outputs the lowest torque.

When gear 1 is not up to the task, press "+" to increase the gear. Output of torque increases correspondingly with the gear switching up from 1 to 30.

Gear 30 outputs the largest torque.

Note: When used at gear 16-30, the output torque is high, please use the tool with both hands to prevent excessive reaction force from twisting your wrist, so as to ensure safety.

### Drilling Function:

For materials that are soft or light: It is recommended to start from lower gears. Gear 1 outputs the lowest torque and rotation speed.

When gear 1 is not up to the task, press "+" to increase the gear and the output of torque will increase correspondingly.

Gear 30 outputs the largest torque and rotation speed. When drilling in hard materials, e.g. steel and ceramic tile, you can directly increase to Gear 30 to maximize efficiency.

18

### Screen

- Power-on mode: with the Reverse/Lock-up Pushbutton in the middle, if there is no operation for 10s, Screen turns off automatically, and the drill shuts down automatically.
- Power-on mode: with the Reverse/Lock-up Pushbutton on the left or right, if there is no operation for 60s, Screen turns off automatically, and the drill shuts down automatically.

### Battery Indicator

Battery Indicator displays remaining power in 4 notches, each representing 25% of battery capacity. When fully charged, all 4 notches are lit up. Each dimmed notch indicates the consumption of 25% of power.

- Low battery: the remaining one notch of the battery charging indicator "====" blinks rapidly.

- In charging: At the beginning, four notches of the battery charging indicator "====" blink successively and repeatedly. After charging 25% of battery, the first notch is lit up constantly, and the other three blink successively and repeatedly, and so the same process goes on.

- Charging completed: the battery charging indicator "====" is lit up constantly.

Note: The driller does not work while charging. This product comes with a USB charging cable and a universal Type-C charging connector.

19

## 03 General Power Tool Safety Warnings

**WARNING!** Read all safety warnings, instructions, illustrations and specifications provided with this power tool. Failure to follow all instructions listed below may result in electric shock, fire and/or serious injury. Save all warnings and instructions for future reference. The term "power tool" in the warnings refers to your mains-operated (corded) power tool or battery-operated (cordless) power tool.

### Work Area Safety

- Keep work area clean and well lit. Cluttered or dark areas invite accidents.
- Do not operate power tools in explosive atmospheres, such as in the presence of flammable liquids, gases or dust. Power tools create sparks which may ignite the dust or fumes.
- Keep children and bystanders away while operating a power tool. Distractions can cause you to lose control.

### Electrical safety

- Power tool plugs must match the outlet. Never modify the plug in any way. Do not use any adapter plugs with earthed (grounded) power tools. Unmodified plugs and matching outlets will reduce the risk of electric shock.
- Avoid body contact with earthed or grounded surfaces, such as pipes, radiators, ranges and refrigerators. There is an increased risk of electric shock if your body is earthed or grounded.
- Do not expose power tools to rain or wet conditions. Water entering a power tool will increase the risk of electric shock.
- Do not abuse the cord. Never use the cord for carrying, pulling or unplugging the power tool. Keep cord away from heat, oil, sharp edges or moving parts. Damaged or entangled cords increase the risk of electric shock.
- When operating a power tool outdoors, use an extension cord suitable for outdoor use. Use of a cord suitable for outdoor use reduces the risk of electric shock.
- If operating a power tool in a damp location is unavoidable, use a residual current device (RCD) protected supply. Use of an RCD reduces the risk of electric shock.

20

### Personal Safety

- Stay alert, watch what you are doing and use common sense when operating a power tool. Do not use a power tool while you are tired or under the influence of drugs, alcohol or medication. A moment of inattention while operating power tools may result in serious personal injury.
- Use personal protective equipment. Always wear eye protection. Protective equipment such as a dust mask, non-skid safety shoes, hard hat or hearing protection used for appropriate conditions will reduce personal injuries.
- Prevent unintentional starting. Ensure the switch is in the off-position before connecting to power source and/or battery pack, picking up or carrying the tool. Carrying power tools with your finger on the switch or energising power tools that have the switch on invites accidents.
- Remove any adjusting key or wrench before turning the power tool on. A wrench or a key left attached to a rotating part of the power tool may result in personal injury.
- Do not overreach. Keep proper footing and balance at all times. This enables better control of the power tool in unexpected situations.
- Dress properly. Do not wear loose clothing or jewellery. Keep your hair and clothing away from moving parts. Loose clothes, jewellery or long hair can be caught in moving parts.
- If devices are provided for the connection of dust extraction and collection facilities, ensure these are connected and properly used. Use of dust collection can reduce dust-related hazards.
- Do not let familiarity gained from frequent use of tools allow you to become complacent and ignore tool safety principles. A careless action can cause severe injury within a fraction of a second.

21

### Power Tool Use And Care

- Do not force the power tool. Use the correct power tool for your application. The correct power tool will do the job better and safer at the rate for which it was designed.
- Do not use the power tool if the switch does not turn it on and off. Any power tool that cannot be controlled with the switch is dangerous and must be repaired.
- Disconnect the plug from the power source and/or remove the battery pack, if detachable, from the power tool before making any adjustments, changing accessories, or storing power tools. Such preventive safety measures reduce the risk of starting the power tool accidentally.
- Store idle power tools out of the reach of children and do not allow persons unfamiliar with the power tool or these instructions to operate the power tool. Power tools are dangerous in the hands of untrained users.
- Maintain power tools and accessories. Check for misalignment or binding of moving parts, breakage of parts and any other condition that may affect the power tool's operation. If damaged, have the power tool repaired before use. Many accidents are caused by poorly maintained power tools.
- Use the power tool, accessories and tool bits etc. in accordance with these instructions, taking into account the working conditions and the work to be performed. Use of the power tool for operations different from those intended could result in a hazardous situation.
- Keep handles and grasping surfaces dry, clean and free from oil and grease. Slippery handles and grasping surfaces do not allow for safe handling and control of the tool in unexpected situations.

22

### Battery tool use and care

- Recharge only with the charger specified by the manufacturer. A charger that is suitable for one type of battery pack may create a risk of fire when used with another battery pack.
- Use power tools only with specifically designated battery packs. Use of any other battery packs may create a risk of injury and fire.
- When battery pack is not in use, keep it away from other metal objects, like paper clips, coins, keys, nails, screws or other small metal objects, that can make a connection from one terminal to another. Shorting the battery terminals together may cause burns or a fire.
- Under abusive conditions, liquid may be ejected from the battery; avoid contact. If contact accidentally occurs, flush with water. If liquid contacts eyes, additionally seek medical help. Liquid ejected from the battery may cause irritation or burns.
- Do not use a battery pack or tool that is damaged or modified. Damaged or modified batteries may exhibit unpredictable behavior resulting in fire, explosion or risk of injury.
- Do not expose a battery pack or tool to fire or excessive temperature. Exposure to fire or temperature above 130°C may cause explosion.
- Follow all charging instructions and do not charge the battery pack or tool outside the temperature range specified in the instructions. Charging improperly or at temperatures outside the specified range may damage the battery and increase the risk of fire.

### Service

- Have your power tool serviced by a qualified repair person using only identical replacement parts. This will ensure that the safety of the power tool is maintained.
- Never service damaged battery packs. Service of battery packs should only be performed by the manufacturer or authorized service providers.

23

### Safety Instructions for Drill/Driver

- Hold the power tool by insulated gripping surfaces, when performing an operation where the cutting accessory or fasteners may contact hidden wiring. Cutting accessory contacting a "live" wire may make exposed metal parts of the power tool "live" and could give the operator an electric shock.

### Safety instructions when using long drill bits

- Never operate at higher speed than the maximum speed rating of the drill bit. At higher speeds, the bit is likely to bend if allowed to rotate freely without contacting the workpiece, resulting in personal injury.
- Always start drilling at low speed and with the bit tip in contact with the workpiece. At higher speeds, the bit is likely to bend if allowed to rotate freely without contacting the workpiece, resulting in personal injury.
- Apply pressure only in direct line with the bit and do not apply excessive pressure. Bits can bend causing breakage or loss of control, resulting in personal injury.

### Additional safety information

- Secure the workpieceA workpiece clamped with clamping devices or in a vice is held more secure than by hand.
- Always wait until the power tool has come to a complete stop before placing it down. The application tool can jam and cause you to lose control of the power tool.
- Switch the power tool off immediately if the application tool becomes blocked. Be prepared for high torque reactions which cause kickback. The application tool becomes blocked when it becomes jammed in the workpiece or when the power tool becomes overloaded.
- Use suitable detectors to determine if there are hidden supply lines or contact the local utility company for assistance. Contact with electric cables can cause fire and electrical shock. Damaging gas lines can lead to explosion. Breaking water pipes causes property damage.

24

- Hold the power tool securely. When tightening and loosening screws be prepared for temporarily high torque reactions.
- In case of damage and improper use of the battery, vapours may be emitted. The battery can set alight or explode. Ensure the area is well ventilated and seek medical attention should you experience any adverse effects. The vapours may irritate the respiratory system.
- Do not open the battery. There is a risk of short-circuiting.
- The battery can be damaged by pointed objects such as nails or screwdrivers or by force applied externally. An internal short circuit may occur, causing the battery to burn, smoke, explode or overheat.
- Only use the battery with products from the manufacturer. This is the only way in which you can protect the battery against dangerous overload.
- Protect the battery against heat, e.g. against continuous intense sunlight, fire, dirt, water and moisture. There is a risk of explosion and short-circuiting.

All products bearing this symbol are waste electrical and electronic equipment (WEEE as in directive 2012/19/EU) which should not be mixed with unsorted household waste. Instead, you should protect human health and the environment by handing over your waste equipment to a designated collection point for the recycling of waste electrical and electronic equipment, appointed by the government or local authorities. Correct disposal and recycling will help prevent potential negative consequences to the environment and human health. Please contact the installer or local authorities for more information about the location as well as terms and conditions of such collection points.

We Shanghai HOTO Technology Co., Ltd., hereby, declares that this equipment is in compliance with the applicable Directives and European Norms, and amendments.

25

### Federal Communications Commission Supplier's Declaration of Conformity

This supplier's declaration of conformity is hereby for Product: HOTO 12V Brushless Electric Driller Model Number(s): QWLDZ001 Brand/Trade: HOTO We declare that the above mentioned device has been tested and found in compliance with CFR 47 Part 15 Regulation.

This device complies with part 15 of the FCC Rules. Operation is subject to the following two conditions: (1) This device may not cause harmful interference, and (2) this device must accept any interference received, including interference that may cause undesired operation.

Note: This equipment has been tested and found to comply with the limits for a Class B digital device, pursuant to part 15 of the FCC Rules. These limits are designed to provide reasonable protection against harmful interference in a residential installation. This equipment generates, uses and can radiate radio frequency energy and, if not installed and used in accordance with the instructions, may cause harmful interference to radio communications. However, there is no guarantee that interference will not occur in a particular installation. If this equipment does cause harmful interference to radio or television reception, which can be determined by turning the equipment off and on, the user is encouraged to try to correct the interference by one or more of the following measures:

- Reorient or relocate the receiving antenna.
- Increase the separation between the equipment and receiver.
- Connect the equipment into an outlet on a circuit different from that to which the receiver is connected.
- Consult the dealer or an experienced radio/TV technician for help.

Representative of Responsible Party for SDoC Company: Shanghai HOTO Technology Co., Ltd. Address: Building 45, No.50 Moganshan Road, Putuo District, Shanghai, China Country: China Telephone No.: 400-021-8696

26

### Troubleshooting

Error	Cause	Solution
Driller stops spinning in operation E3	Continuous use of the machine under heavy load which results in drive board overheating	Cool down
Driller stops spinning in operation E9	Continuous use of the machine under heavy load which results in battery overheating or single battery undervoltage	Cool down and charge
Driller stops spinning in operation E1	Lithium battery out of power	Charge the battery
Unable to insert drill	Mismatched drill size and chuck	Use drills from the kit or drills with a diameter of ≤ 10 mm
Driller does not operate after pressing Switch	Switch Flip locked up in the middle	Push the Reverse Pushbutton to the left or right (look from the rear of the machine towards the chuck)
Unable to charge battery	USB cable not plugged in or not using the specified charging cable	Check whether the battery indicator light is on and use the specified charging cable

27

## 04 Specifications

Model: QWLDZ001  
Item Dimensions: 185×180×54 mm  
Maximum Torque: 30 N·m  
Driller Net Weight: Approx. 882 g  
Rated Voltage: 12 V  
Rated Capacity: 2000 mAh  
Battery Type: Lithium-ion Battery Series  
Unloaded Rotational Speed: 0-1400 /min (drilling mode)  
0-370 /min (screwing mode)  
Charging Voltage /Current: 5 V= 3 A; 9 V= 1.5 A  
Wood drill 4/5/6/7 mm

Bit Specification: C6.3×50 mm  
Phillips: PH1/PH2  
Hex: PZ2  
Hollow Torx: T25  
Inner Hex: H3/H4/H5  
Flat blade: SLS  
Triangular: 2.3  
TW Type: TW1  
Drill Specification:  
Metal drill 3/4/5/6 mm  
Wood drill 4/5/6/7 mm

Battery Charger Input: 100-240 V~, 50/60 Hz, 0.6 A  
Battery Charger Output: 5.0 V=3.0 A, 15.0 V, 9.0 V= 2.23 A, 20.0 V  
The charger is not provided with the product and should be bought separately. The charger must comply with local laws and regulations. The charger meets the requirements of 60335-2-29 and 60335-1, independently certified.

Declaration of the noise emission values according to EN 62841 (considered uncertainty 5 dB(A))  
Sound pressure level: 80.4 dB(A)  
Sound power level: 69.4 dB(A)  
Declaration of the vibration emission according to EN 62841 (considered uncertainty 1.5 m/s²): 1.832 m/s²

Note: The metal drill is black (only for metal) and the wood drill is silver (only for plastic and wood). Bits and drills are consumables.

28

### Information:

- The declared vibration total value(s) and the declared noise emission value(s) have been measured in accordance with a standard test method and may be used for comparing one tool with another;
- The declared vibration total value(s) and the declared noise emission value(s) may also be used in a preliminary assessment of exposure.

### Warning:

- The vibration and noise emissions during actual use of the power tool can differ from the declared values depending on the ways in which the tool is used especially what kind of workpiece is processed; and
- It is necessary to identify safety measures to protect the operator that are based on an estimation of exposure in the actual conditions of use (taking account of all parts of the operating cycle such as the times when the tool is switched off and when it is running idle in addition to the trigger time).

The battery is not replaceable.

Manufacturer: Shanghai HOTO Technology Co., Ltd.  
Address: Building 45, No. 50, Moganshan Road, Putuo District, Shanghai, China

29

### DECLARATION OF CONFORMITY



EU Declaration of Conformity  
We  
Shanghai HOTO Technology Co., Ltd.

Declare that the product:  
HOTO 12V Brushless Drill / QWLDZ001

Complies with the essential health and safety requirements of the following directives:  
2006/42/EC The Machinery Directive  
References to the following harmonized standard were made:  
EN 62841-1:2015  
- EN 62841-2-1:2018+A11:2019

2014/30/EU Electromagnetic Compatibility directive References to the following harmonized standard were made:  
EN 55014-1: 2017  
EN 55014-2: 2015  
EN 61000-3-2:2014  
EN 61000-3-3:2013

20011/65/EU+ (EU) 2015/863 Restrictions of the Use of Certain Hazardous Substances in Electrical and Electronic Equipment  
Authorised signatory and technical file holder:  
Shanghai HOTO Technology Co., Ltd.  
Building 45, No.50 Moganshan Road, Shanghai, China

30