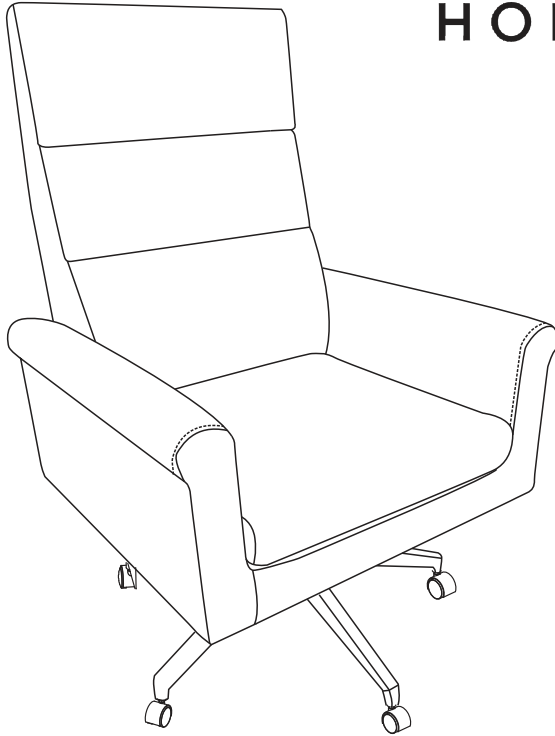


HULALA

HOME



ITEM NO. OFM1674



Weight Capacity
300 LBS



Installation:
15minutes.



One Person

Thank You For Choosing Our Furniture

▾ If you have any questions or concerns,
don't hesitate to reach out to us. ▾

Call us: +1(833)324-2464
Email: hello@hulalahome.com

NOTE:







This brochure contains
IMPORTANT safety info.
Please read and keep it
for future reference.

MAINTAINANCE AND WARNINGS



Before You Start

Please follow the steps below:

-  **Un box the package and check if all parts and accessories are complete.**
-  **Place the parts of the chair on a flat surface.**
-  **Ensure the chair is placed on a stable, flat surface to prevent it from tilting.**
-  **Avoid placing sharp or heavy objects directly on the chair to prevent tears or deformation.**
-  **Clean the installation area in advance and ensure the ground is level and there is enough space to avoid damaging the furniture or making installation difficult.**
-  **Lay a protective mat on the ground to prevent scratching the floor during installation.**

After-Sales Service

- **If you encounter any issues or need technical support during use, please contact our after-sales team. We offer long-term maintenance and warranty services.**



Precautions

- ⚠ This product is for indoor use only. Do not expose it to outdoor elements or high-humidity environments.
- ⚠ Keep the product away from high heat or open flames to prevent fire hazards.
- ⚠ Do not allow children to climb on the product, as this may cause tipping and result in personal injury.



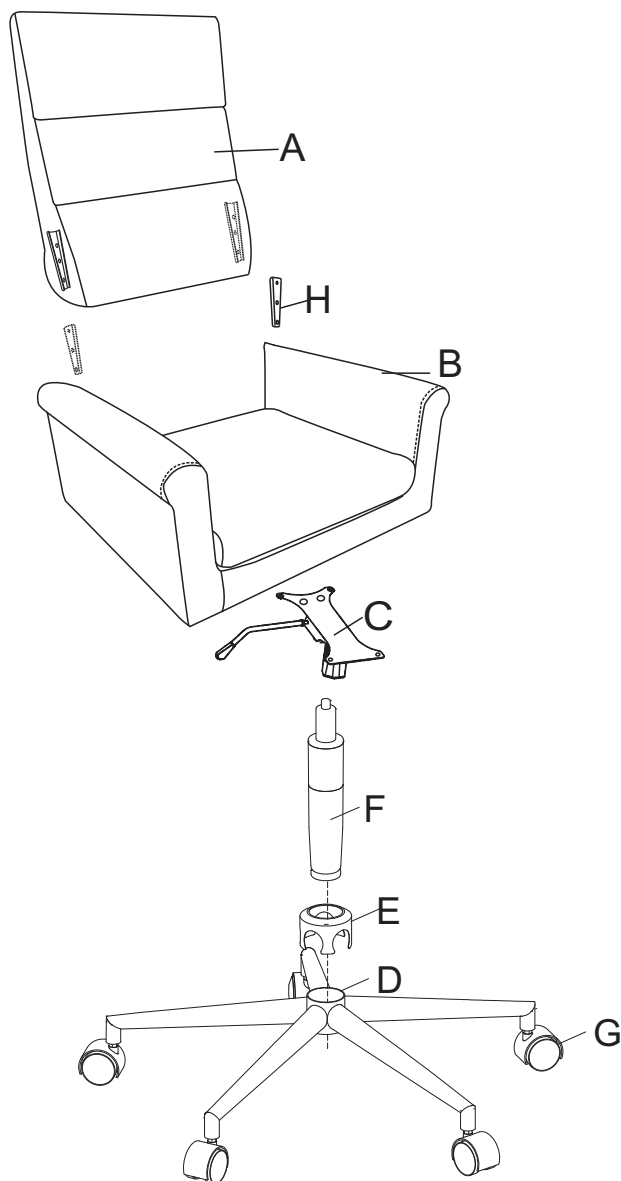
Safety Warnings

- ⚠ If you notice any loose or damaged parts, stop using the product immediately and contact customer service.
- ⚠ Do not attempt to disassemble or replace any components yourself, as this may affect the stability and safety of the product.


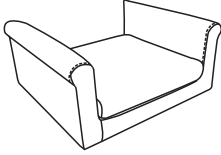
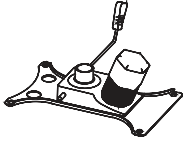
Daily Maintenance

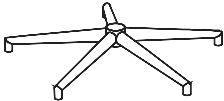


- Regularly clean the surface with a soft cloth to prevent dust accumulation.
- Do not use cleaning agents containing acids, alkalis, or corrosive substances, as they may damage the surface. It is recommended to use neutral cleaning agents or specialized furniture cleaners.
- Avoid exposing furniture to humid environments for extended periods. Use a dehumidifier or desiccant during humid weather.
- Avoid direct contact of furniture with water. If water is accidentally spilled, wipe it dry immediately.
- Avoid placing excessively heavy objects on the furniture: ensure the weight is within a reasonable load-bearing range.
- Avoid using sharp or rough items on the furniture surface to prevent scratches. Handle items gently when moving them.

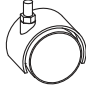
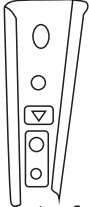
Explosive view





Parts List

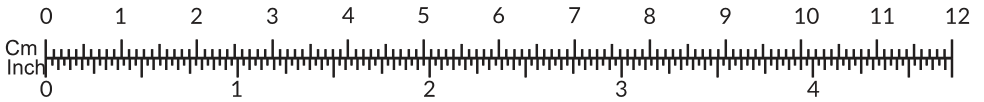
<p>A x1</p>  <p>Backrest</p>	<p>B x1</p>  <p>Seat Frame</p>	<p>C x1</p>  <p>Mechanism</p>
---	---	--

<p>D x1</p>  <p>Spider base</p>	<p>E x1</p>  <p>Metal base cap</p>	<p>F x1</p>  <p>Gas lift</p>
--	---	---

<p>G x5</p>  <p>Casters</p>	<p>H x2</p>  <p>Plug interface</p>	
--	---	--


Hardware List


<p>① x (8+1)</p>  <p>Ø6x20mm</p>	<p>② x1</p>  <p>M6</p>	
---	---	--

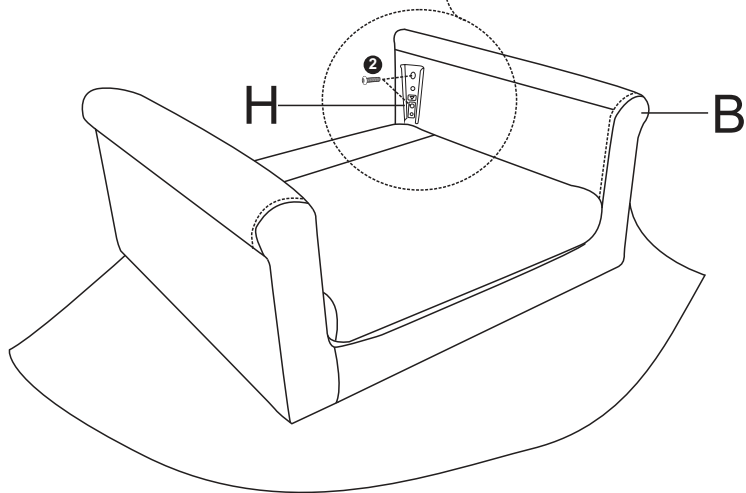
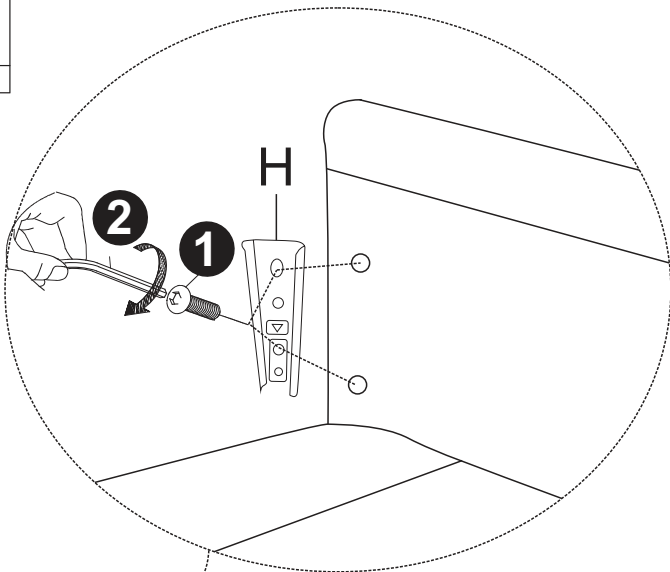


Note: Before installing the screws, please first distinguish the length of the screw rods.



Step 1

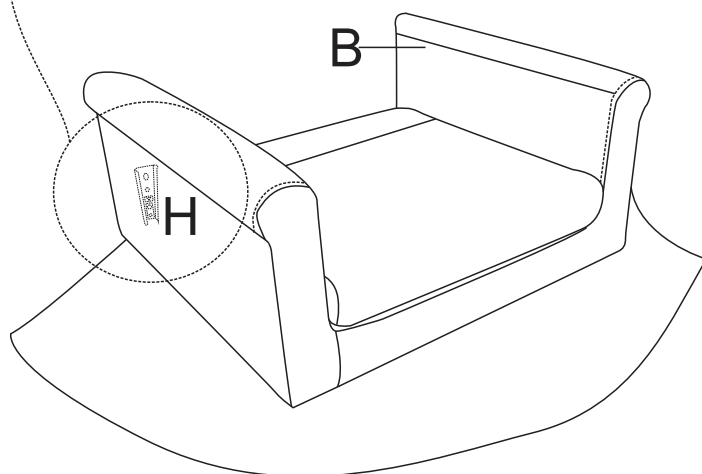
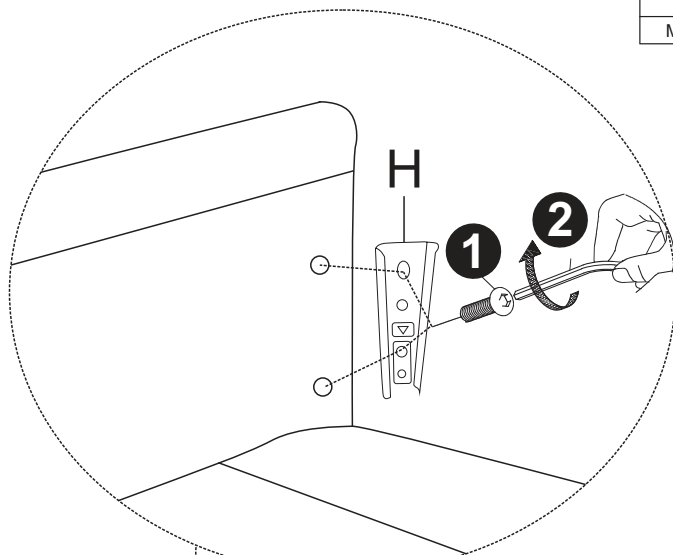
1	x2
	
M6*20mm	

2	x1
	
M6	

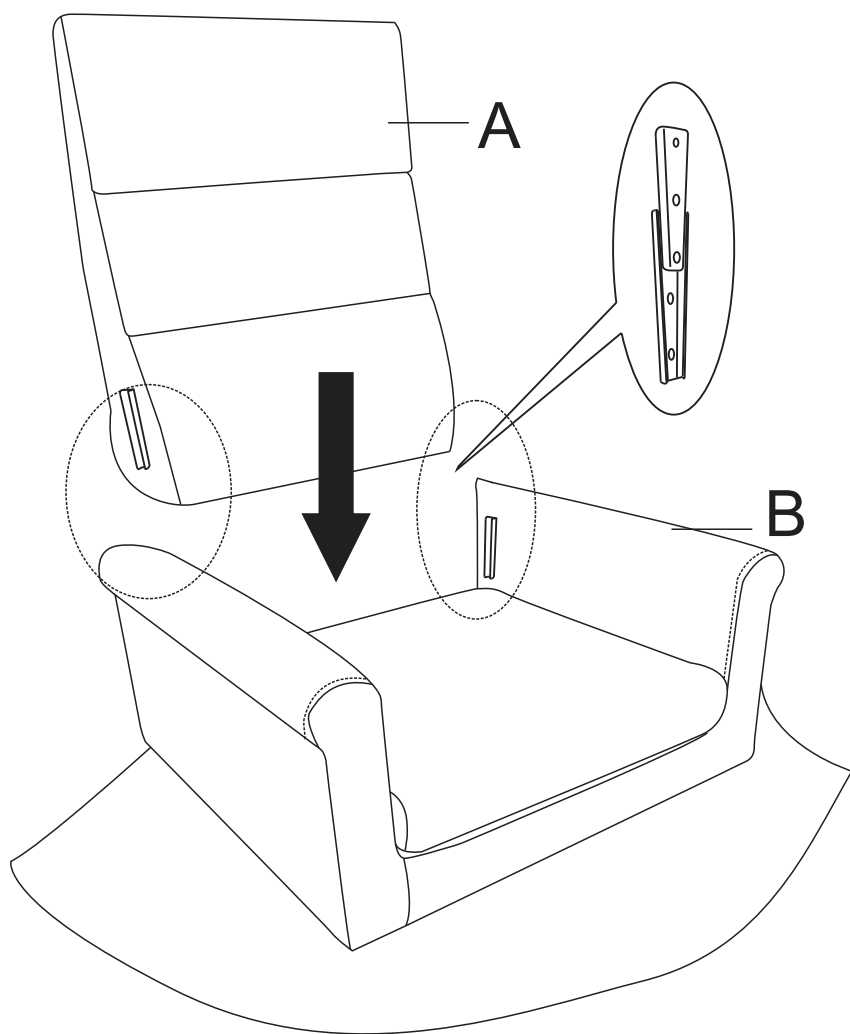


Step 2



1	x2
	
M6*20mm	
2	x1
	
M6	

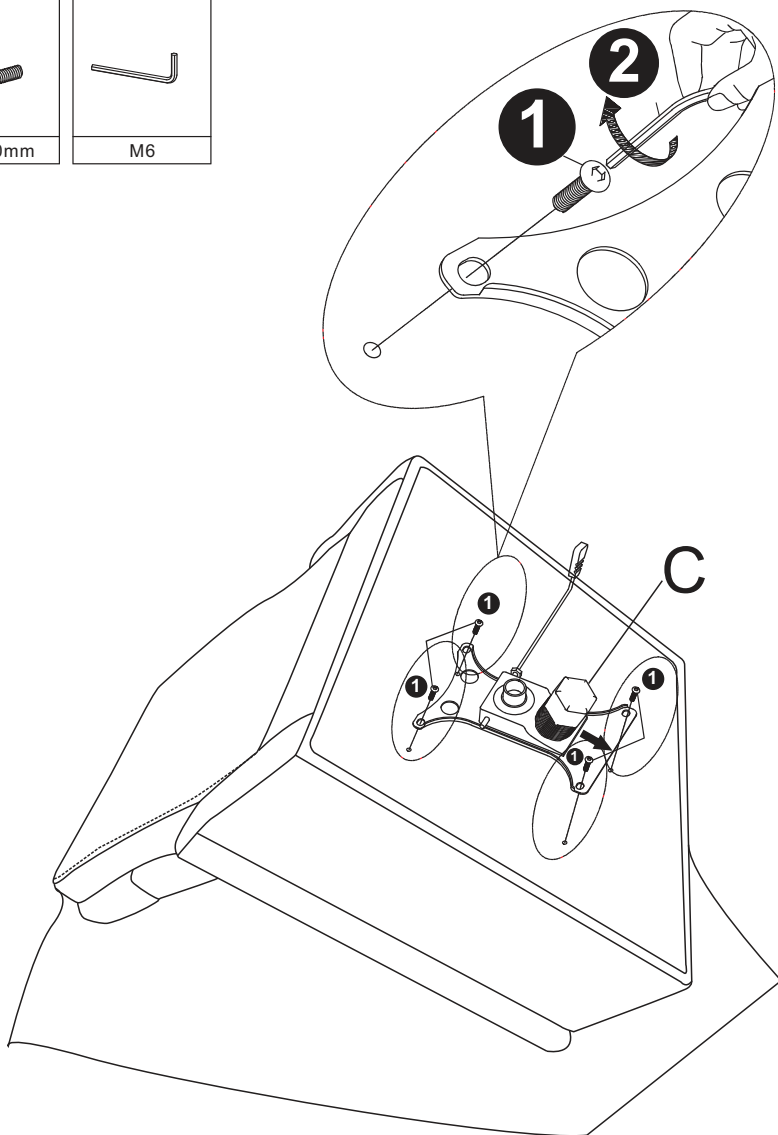


Step 3

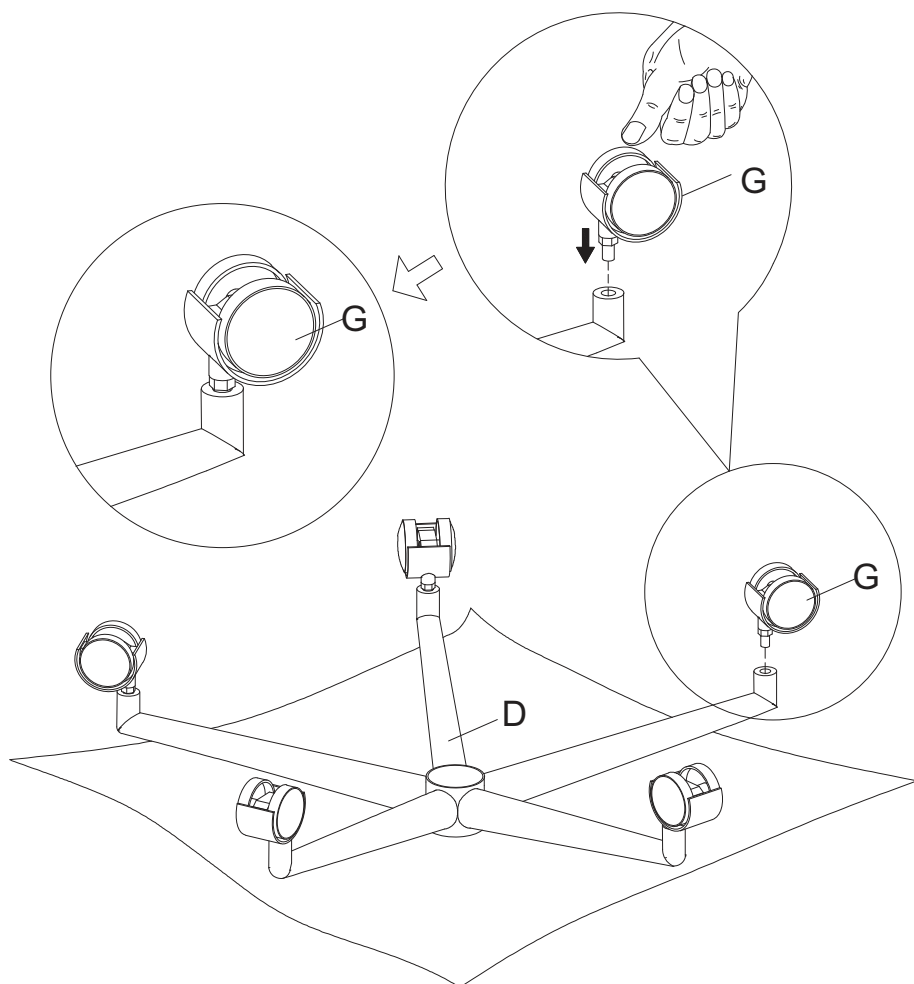


Step 4

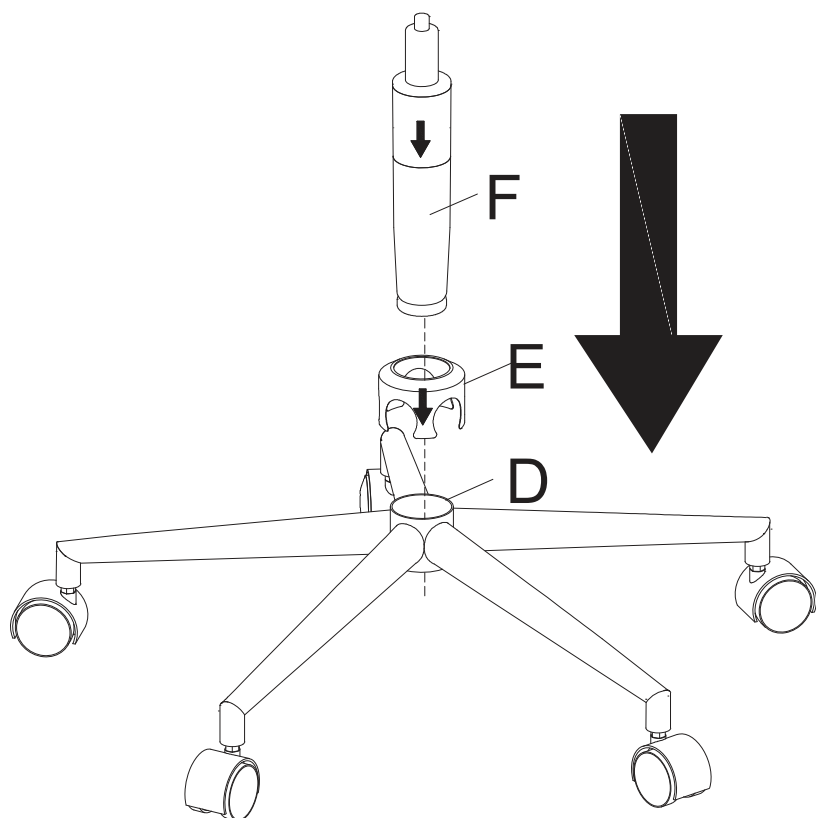
1	x4	2	x1
			
M6*20mm		M6	



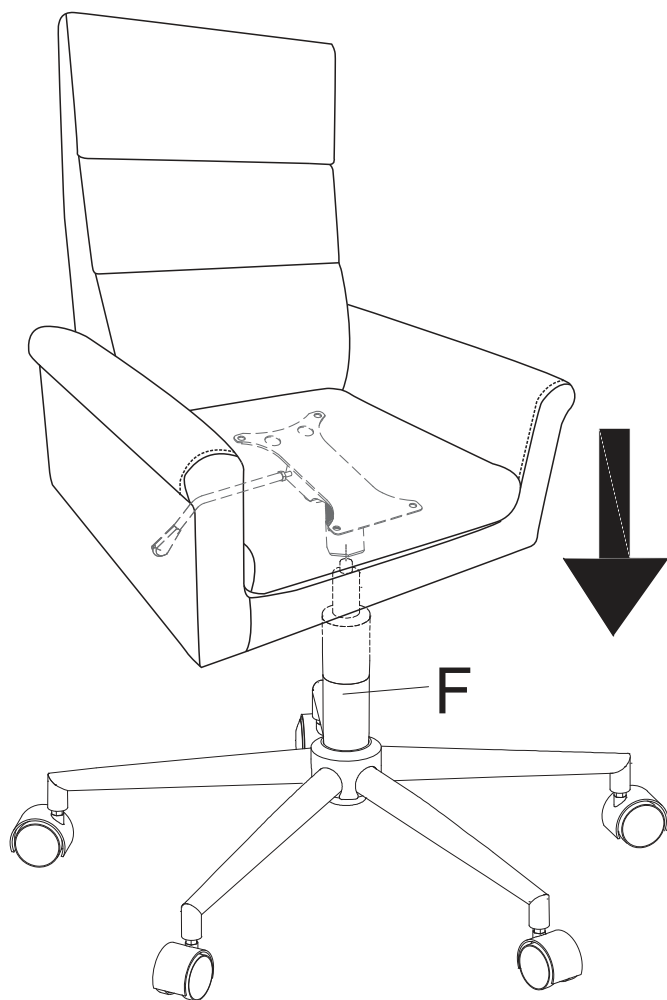
Step 5



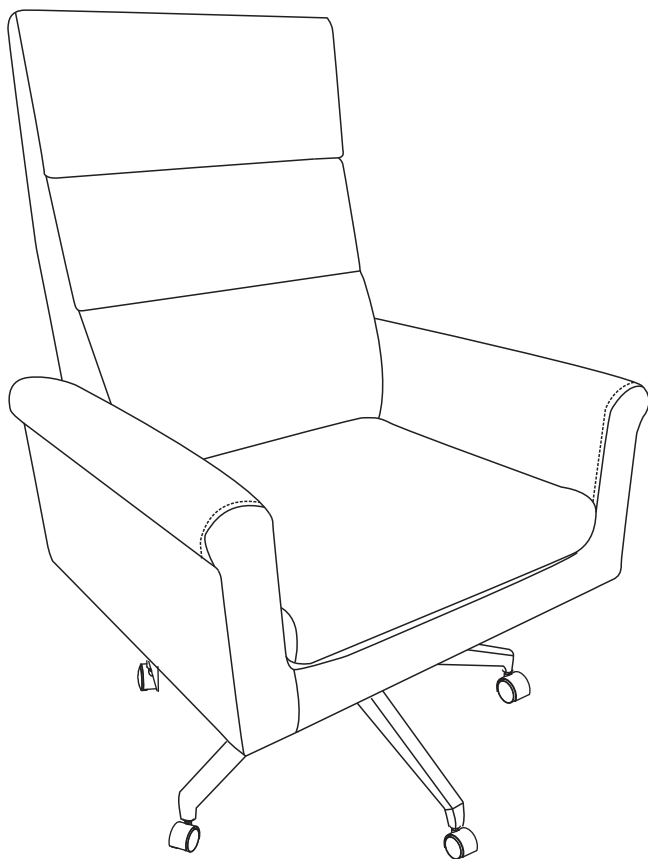
Step 6



Step 7



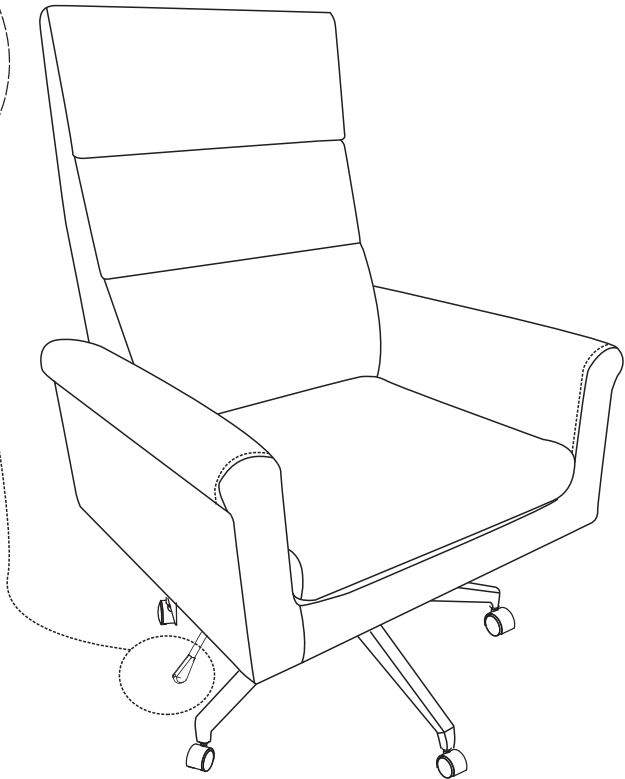
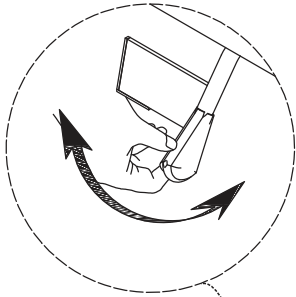
Step 8



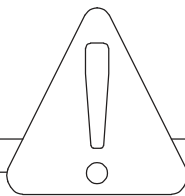
Assembly completed.

Functions Introduction

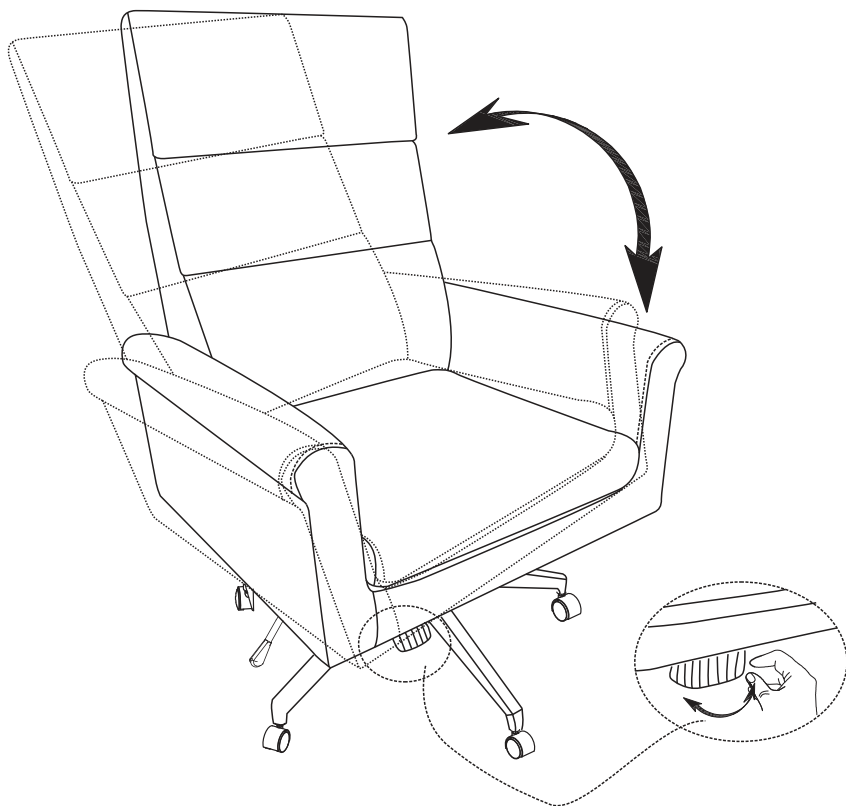
Adjust the chair height by pulling lifting lever



Functions Introduction



Rotate this knob clockwise to adjust the recline angle of the backrest; counterclockwise to adjust the backrest forward.



WARRANTY

- We strive to offer quality products, and we also try our best to satisfy every customer who orders from us with products or services as needed.
- Replacement parts can be purchased from our company if available.
- For returns, please check the return policy with the retailer or marketplace where you purchased the item.

Are you having difficulty

With assembly? Missing parts?
Please send an email with your order No. to
hello@hulalahome.com

We appreciate your purchase.
Brighten your life with our furniture!