



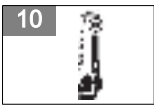
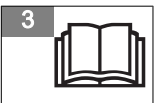
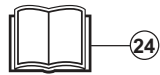
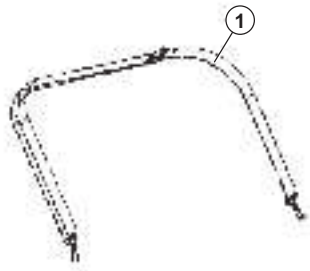
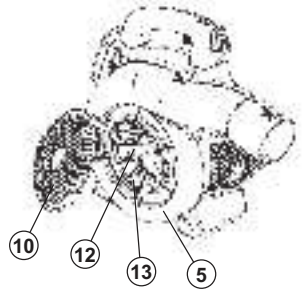
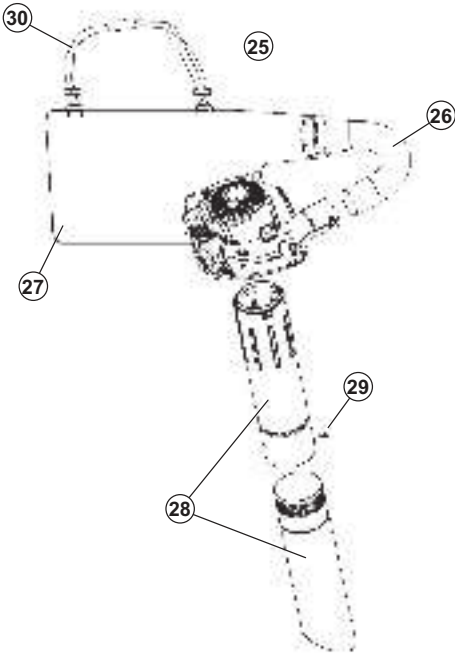
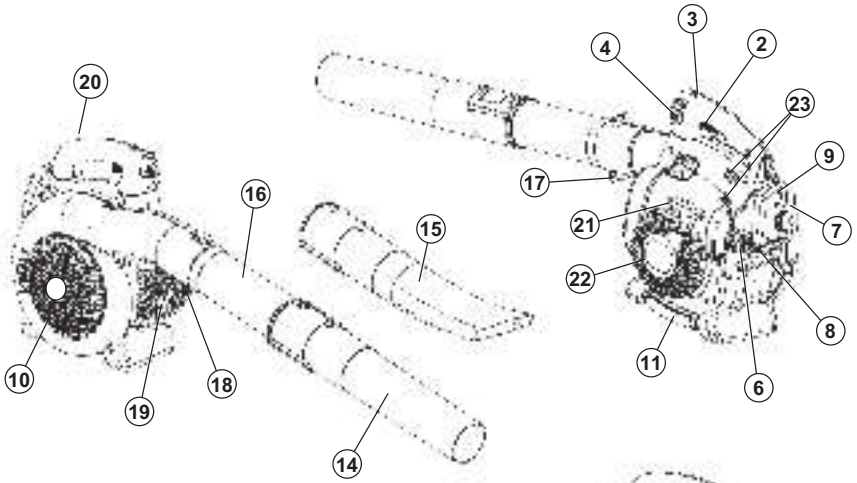
Husqvarna®

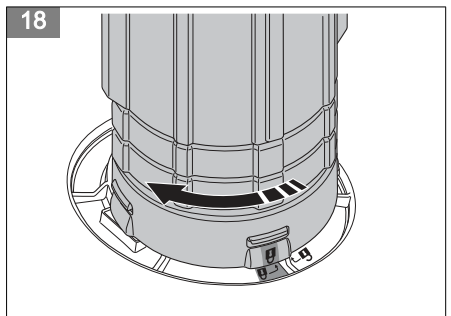
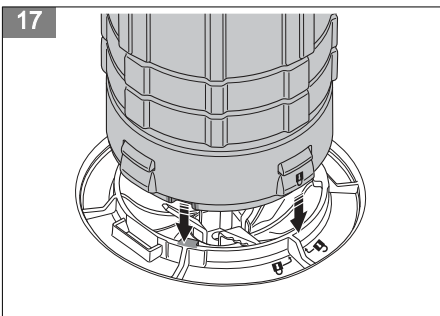
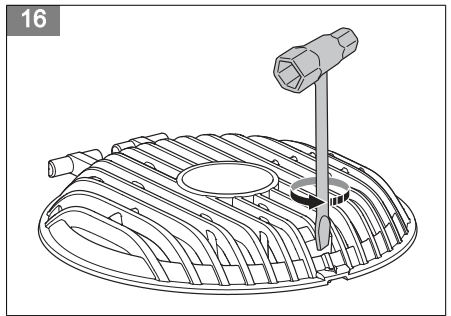
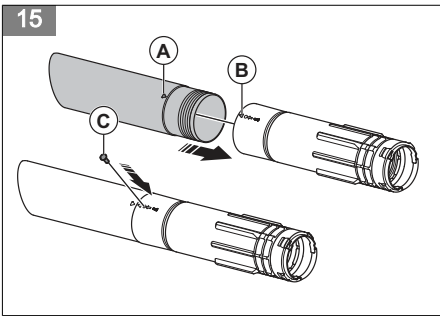
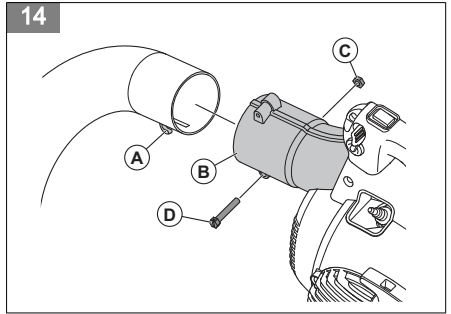
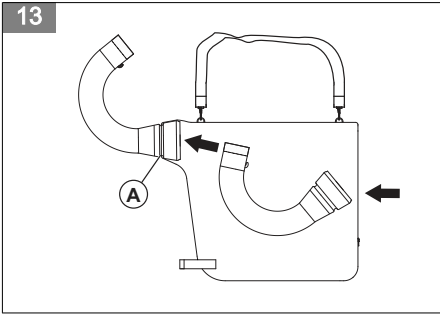
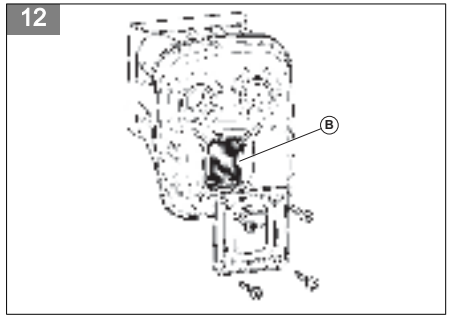
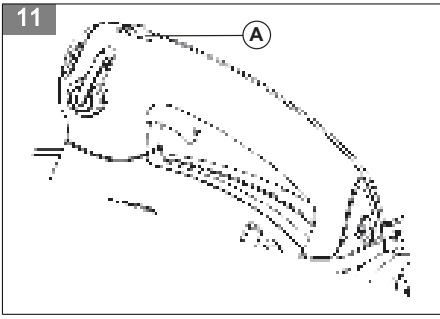


125B, 125BVX

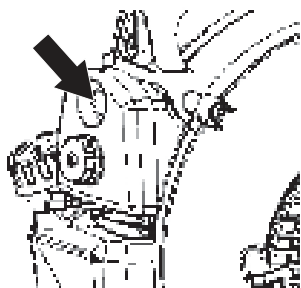
EN	Operator's manual
ES-MX	Manual del usuario
FR-CA	Manuel d'utilisation

6-15
16-26
27-37

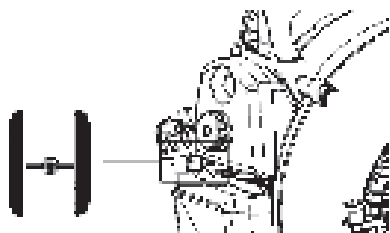




19



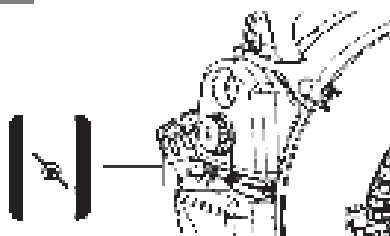
20



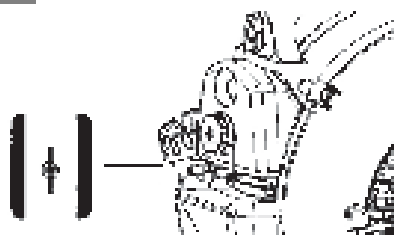
21



22



23



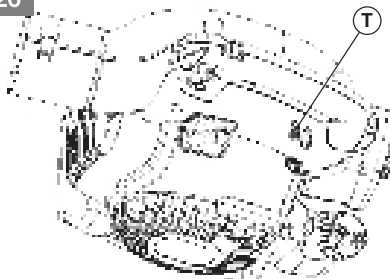
24



25



26



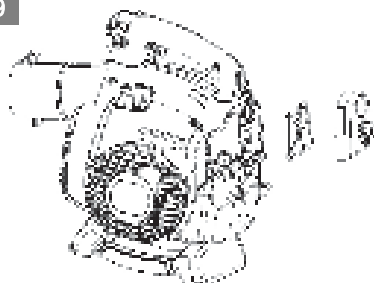
27



28



29



Contents

Introduction.....	6	Maintenance.....	12
Safety.....	7	Technical data.....	13
Assembly.....	9	Accessories.....	15
Operation.....	10		

Introduction

Operator's manual

The initial language of this operator's manual is English. Operator's manuals in other languages are translations from English.

Overview

(Fig. 1)

1. Shoulder strap (125BVX)
2. Throttle trigger
3. STOP switch
4. Speed control
5. Fan housing
6. Fuel tank cap
7. Air filter
8. Choke control
9. Primer bulb
10. Inlet cover
11. Vacuum handle (125BVX)
12. Cutters (125BVX)
13. Fan impeller
14. Standard nozzle
15. High velocity nozzle (125BVX)
16. Blower tube
17. Tube clamp bolt
18. Tube clamp nuts
19. Muffler
20. Ground wire
21. Starter rope handle
22. Starter device
23. Carburetor adjustment screws
24. Operator's manual
25. Vacuum device with collection components that have items 26-30 below (125BVX)
26. Collection bag tube (125BVX)
27. Collection bag (125BVX)
28. Vacuum tube in two sections (125BVX)
29. Screw (125BVX)
30. Shoulder strap (125BVX)

Symbols on the product

(Fig. 2) Warning

(Fig. 3) Read this manual

(Fig. 4) Use approved hearing protection

(Fig. 4) Use approved eye protection

(Fig. 4) Use approved dust mask

(Fig. 5) Use approved protective gloves

(Fig. 6) The product can cause objects to eject, which can cause damage to the eyes

(Fig. 7) Do not go near the impeller as it turns

(Fig. 8) Do not let a child near the product

(Fig. 9) Make sure that long hair is put up above your shoulders

(Fig. 10) Safe distance

Note: Other symbols/decals on the product refer to certification requirements for other commercial areas.

Product damage

We are not responsible for damages to our product if:

- the product is incorrectly repaired.
- the product is repaired with parts that are not from the manufacturer or not approved by the manufacturer.
- the product has an accessory that is not from the manufacturer or not approved by the manufacturer.
- the product is not repaired at an approved service center or by an approved authority.

Safety

Safety definitions

The definitions below give the level of severity for each signal word.



WARNING: Injury to persons.



CAUTION: Damage to the product.

Note: This information makes the product easier to use.

General safety instructions



WARNING: Read the warning instructions that follow before you use the product.

- Use the product correctly. Injury or death is a possible result of incorrect use. Only use the product for the tasks found in this manual. Do not use the product for other tasks.
- Obey the instructions in this manual. Obey the safety symbols and the safety instructions. If the operator does not obey the instructions and the symbols, injury, damage or death is a possible result.
- Do not discard this manual. Use the instructions to assemble, to operate and to keep your product in good condition. Use the instructions for correct installation of attachments and accessories. Only use approved attachments and accessories.
- Do not use a damaged product. Obey the maintenance schedule. Only do the maintenance work that you find an instruction about in this manual. An approved service center must do all other maintenance work.
- This manual cannot include all situations that can occur when you use the product. Be careful and use your common sense. Do not operate the product or do maintenance on the product if you are not sure about of the situation. Speak to a product expert, your dealer, service agent or approved service center for information.
- Disconnect the spark plug cable before you assemble the product, put the product into storage or do maintenance.
- Do not use the product if it is changed from its initial specification. Do not change a part of the product without approval from the manufacturer. Only use parts approved by the manufacturer. Injury or death is a possible result of incorrect maintenance.
- Do not breathe in the fumes from the engine. Long-term inhalation of the engine's exhaust fumes is a health risk.
- Do not start the product indoors or near flammable material. The exhaust fumes are hot and can contain a spark which can start a fire. Not sufficient airflow can cause injury or death because of asphyxiation or carbon monoxide.
- When you use this product the engine makes an electromagnetic field. The electromagnetic field can cause damage to medical implants. Speak to your physician and medical implant manufacturer before you operate the product.
- Do not let a child operate the product. Do not let a person without knowledge of the instructions operate the product.
- Make sure that you always monitor a person, with decreased physical capacity or mental capacity, that uses the product. A responsible adult must be there at all times.
- Lock the product in an area that children and unapproved persons cannot access.
- The product can eject objects and cause injuries. Obey the safety instructions to decrease the risk of injury or death.
- Do not go away from the product when the engine is on.
- The operator of the product is responsible if an accident occurs.
- Make sure that parts are not damaged before you use the product.
- Make sure that you are at minimum 15 m (50 ft) away from other persons or animals before you use the product. Make sure that persons in the adjacent area know that you will use the product.
- Refer to national or local laws. They can prevent or decrease the operation of the product in some conditions.
- Do not use the product if you are fatigued or influenced by alcohol, drugs or medicine. They can have effects on your vision, alertness, coordination or judgment.

Vibration safety

This product is for occasional operation only. Continuous or regular operation of the product can cause "white finger" or equivalent medical problems from vibrations. Examine the condition of your hands and fingers if you operate the product continuously or regularly. If your hands or fingers have discoloration, have pain, tingle, or are numb, stop work and speak to a physician immediately.

Safety instructions for operation of the blower

- Use the product only for blowing or removal of leaves and other debris on the ground.

- Do not operate the product when you are tired, ill, or have used alcohol, drugs or medicine.
- Do not let bystanders or animals to be less than 15 m (50 ft) from the operator.
- The product can eject objects at high speed that can ricochet and hit the operator. This can cause eye damage.
- Do not point the blower nozzle in the direction of persons or animals.
- Make sure that long hair is put above your shoulders.
- Stop the engine before you assemble or disassemble the accessories or other components.
- Do not operate the product without the guard.
- Do not operate the product if there are persons in the work area. Stop the product if a person goes into the work area.
- Do not operate the product in a space with unsatisfactory airflow. If the airflow is not sufficient, it can cause injury or death because of asphyxiation or carbon monoxide.
- The muffler is very hot while the product is on, after it stops and when it runs at idle speed. Be careful near flammable materials and flammable fumes.
- Do not touch the inlet cover area. Keep jewelry and loosely hanging clothing away from the inlet area.
- Always keep correct footing and operate the product only on safe and level surfaces. Slippery or not stable surfaces, such as ladders, can cause a loss of balance or control.
- Do not operate the product in a high area, such as on a roof.
- Secure the product during transport.
- Operate the product only at recommended hour. Obey the local regulations. Usual recommendations are 9:00 a.m. to 5:00 p.m. Monday through Saturday.
- Operate the product at the lowest possible throttle to do the work.
- Make sure that you cannot fall when you use the product. Do not tilt when you operate the product.
- Make sure that the product is in good condition before operation, specially the muffler, air intake and air filter.
- Use a rake or a broom to loosen ground debris before operation of the product.
- If the work area is dirty, spray it with a hose.
- Use the product as an alternative to a hose to save water.
- Blow debris safely. Look out for children, animals, open windows or vehicles.
- Do not point the product at easily damaged plants.
- Do not blow air in the direction of objects such as walls, large rocks, vehicles and fences.

- If you do work at inner corners blow from the corner and into the center of the work area. If not, debris can hit your face and cause eye injury.
- Use the full nozzle extension to keep the air stream near the ground.
- It is necessary that bystanders wear eye protection.
- Dispose the debris in the waste receptacles after use of the product.

Safety instructions for operation of the vacuum

- Prevent damage to the fan. Do not vacuum large, solid objects such as wood, cans, rubber mulch or long pieces of string.
- Do not let the vacuum tube hit the ground.
- Stop the engine and disconnect the spark plug cap before you remove a blockage or clogged material.

Personal protective equipment

- Always use correct personal protective equipment when you operate the product. The personal protective equipment does not erase the risk of injury. The personal protective equipment decreases the grade of injury if an accident occurs.
- Always use an approved eye protection while you operate the product.
- Do not operate the product with bare feet or with open shoes. Always use heavy-duty slip-resistant boots.
- Use heavy, long pants.
- If it is necessary, use approved protective gloves.
- Use a helmet if it is possible that objects fall on your head.
- Always use approved ear protection while you operate the product. Noise for a long period can cause noise-induced hearing loss.
- Always use an approved dust mask while you operate the product in dusty environments.
- Make sure that you have a first aid kit near.

Protective devices on the product

- Make sure that you regularly do the maintenance to the product.
 - The life of the product increases.
 - The risk of accidents decreases.

Let an approved dealer or an approved service center regularly examine the product to do adjustments or repairs.

- Do not use a product with damaged protective equipment. If the product is damaged, speak to an approved service center.

Stop switch

Start the engine. Make sure that the engine stops when you move the stop switch to the stop position. (Fig. 11)

Muffler



WARNING: Do not touch the muffler if it is hot. The muffler is very hot while the engine runs and after it stops. If you touch the muffler, it can cause burns.

- Do not use an engine with a damaged muffler. A damaged muffler increases the noise level and the risk of fire. Keep a fire extinguisher near.
- Examine regularly that the muffler is attached to the product.
- Do not touch the engine or the muffler when then engine is on. Do not touch the engine or the muffler for a while after the engine stops. Hot surfaces can cause injuries.
- A hot muffler can cause a fire. Be careful, if you use the product near flammable liquids or fumes.
- Do not touch the parts in the muffler, if the muffler is damaged. The parts can contain some carcinogenic chemicals.
- Some blower models are have a spark-arresting screen. Clean and replace the screen at specified intervals. See the Maintenance section (*Maintenance on page 12*).

(Fig. 12)

Fuel safety

- Do not start the product if there is fuel or engine oil on the product. Remove the unwanted fuel/oil and let the product dry. Remove unwanted fuel from the product.
- If you spill fuel on your clothing, change clothing immediately.
- Do not get fuel on your body, it can cause injury. If you get fuel on your body, use a soap and water to remove the fuel.
- Do not start the engine if you spill oil or fuel on the product or on your body.
- Do not start the product if the engine has a leak. Examine the engine for leaks regularly.
- Be careful with fuel. Fuel is flammable and the fumes are explosive and can cause injuries or death.

- Do not breathe in the fuel fumes, it can cause injury. Make sure that there is a sufficient airflow.
- Do not smoke near the fuel or the engine.
- Do not put warm objects near the fuel or the engine.
- Do not add the fuel when the engine is on.
- Make sure that the engine is cool before you refuel.
- Before you refuel, open the fuel tank cap slowly and release the pressure carefully.
- Do not add fuel to the engine in an indoor area. Not sufficient airflow can cause injury or death because of asphyxiation or carbon monoxide.
- Tighten the fuel tank cap carefully or a fire can occur.
- Move the product at a minimum of 3 m (10 ft) from the position where you filled the tank before a start.
- Do not put too much fuel in the fuel tank.
- Make sure that a leak cannot occur when you move the product or fuel container.
- Do not put the product or a fuel container where there is an open flame, spark or pilot light. Make sure that the storage area does not contain an open flame.
- Only use approved containers when you move the fuel or put the fuel into storage.
- Empty the fuel tank before long-term storage. Obey the local law on where to dispose fuel.
- Clean the product before long-term storage.
- Remove the spark plug cable before you put the product into storage to make sure that the engine does not start accidentally.

Safety instructions for maintenance



WARNING: Incorrect maintenance can result in serious engine damage or in serious injury.

The owner is responsible for the performance of all necessary maintenance as specified in the operator's manual. Disconnect the spark plug before maintenance. Do not disconnect the spark plug before carburetor adjustments.

Assembly



WARNING: Read the safety chapter before you assemble the product.

To install the the blower tube and nozzle on the product

Note: The bolt must be sufficiently loose to put the blower tube into the blower outlet. Turn the bolt counterclockwise with a screwdriver to loosen it.

1. Align the rib on the upper blower tube with the groove in the blower outlet. Move the tube into position.
2. Turn the bolt clockwise with a screwdriver to attach the tube.

Note: Do not use any tool on the nut.

3. Align the slots on the lower blower tube with the tabs on the upper blower tube. Move the lower blower tube onto the upper blower tube.
4. Turn the lower blower tube clockwise until there is a click.

To install the blower tube and nozzle

Note: Make sure to install the tube clamp bolt and tube clamp nut before use.

1. Loosen the tube clamp bolt.
2. Align the slot in the blower air outlet with the rib on the tube.
3. Push the tube until the the holes in the tube and housing align.
4. Tighten the tube clamp bolt.
5. Twist the nozzle to the right until you feel a click.

To install the collection bag with different vacuum tubes



WARNING: Turn off the engine before you attach the the tubes to the product.

To assemble the collection bag

1. Open the collection bag.
2. Insert the collection bag tube from inside of the bag to fit in the vacuum inlet opening.
3. Make sure that the elastic seats in the groove (A).

4. Close the zipper on the bag. (Fig. 13)

To install the collection bag tube

1. Remove the blower tube, if it is attached.
2. Align the rib on the collection bag tube (A) with the groove in the blower outlet (B).
3. Push the collection bag tube fully onto the blower outlet.
4. Insert the nut (C) in its opening.
5. Install the screw (D) and tighten with a screwdriver to attach the tube. (Fig. 14)

To attach the vacuum tubes together

1. Align the arrow on the lower vacuum tube (A) with the arrow on the upper vacuum tube (B).
2. Push the lower vacuum tube into the upper vacuum tube.
3. Use a screwdriver to install the self-tapping screw (C) that holds the tubes together. (Fig. 15)

To install the vacuum tubes

1. Insert the tip of a screwdriver into the latch area of the vacuum inlet.
2. Turn the screwdriver to release the latch. (Fig. 16)
3. Hold the vacuum inlet cover open until the upper vacuum tube is in place.
4. Align the ribs on the inside of the vacuum inlet with the slots on the upper vacuum tube. Make sure the lock symbol on the tube aligns with the unlock symbol on the vacuum inlet. (Fig. 17)
5. Push the upper vacuum tube fully onto the vacuum inlet.
6. Turn the upper vacuum tube clockwise until the lock symbol on the tube aligns with the lock symbol on the vacuum inlet. The tube makes a click when it is correctly attached. (Fig. 18)

Operation



WARNING: Read and understand the safety chapter before you operate the product.

Fuel

To use fuel



CAUTION: This product has a two-cycle engine. Use a mixture of gasoline and two-cycle engine oil. Make sure to use the correct quantity of oil in the mixture. Incorrect ratio of gasoline and oil can cause damage to the engine.

Gasoline



CAUTION: Do not use gasoline with an octane number less than 90 RON (87 AKI). This can cause damage to the product.



CAUTION: Do not use gasoline with more than 10% ethanol concentration (E10). This can cause damage to the product.



CAUTION: Do not use leaded gasoline. This can cause damage to the product.

- Always use new unleaded gasoline with a minimum octane number of 90 RON (87 AKI) and with less than 10% ethanol concentration (E10).
- Use gasoline with a higher octane number if you frequently use the product at continuously high engine speed.
- Always use a good quality unleaded gasoline/oil mixture.

Two-cycle engine oil

- Use only high quality two-cycle engine oil. Use only an air cooled engine oil.
- Do not use other types of oil.
- Mixture ratio 50:1 (2%)

Gasoline	Oil
1 U.S. Gal.	77 ml (2,6 oz)
1 UK Gal.	95 ml (3,2 oz)
5 l	100 ml (3,4 oz)

To make the fuel mixture

Note: Always use a clean fuel container when you mix the fuel.

Note: Do not make more than 30 days quantity of fuel mixture.

1. Add half of the gasoline quantity.
2. Add the full quantity of oil.
3. Shake the fuel mixture to mix the contents.
4. Add the remaining gasoline quantity.
5. Shake the fuel mixture to mix the contents.
6. Fill the fuel tank.

To add fuel

- Always use a fuel container with an antispill valve.
- If there is some fuel on the container, remove the unwanted fuel and let the container dry.
- Make sure that the area near the fuel tank cap is clean.
- Shake the fuel container before you add the fuel mixture to the fuel tank.

To start and stop

Before you start the engine

- Examine the product for missing, damaged, loose or worn parts.

- Examine the collection bag. Make sure that the collection bag is not damaged and that the zipper is closed.
- Examine the nuts, screws and bolts.
- Examine the air filter.
- Examine the throttle trigger for correct operation.
- Examine the stop switch for correct operation.
- Examine the product for fuel leaks.

To start a cold engine



WARNING: Do not wind the starter rope around your arm.



CAUTION: Do not hold the product with your foot.



CAUTION: Do not pull the starter rope to the end position. Do not let go of the starter rope handle when the starter rope is extended. This can damage the product.

Note: If the engine stops, move the choke control to the closed position and do the starting steps again.

1. Fill the fuel tank with a clean fuel mixture.
2. Push the primer bulb 10 times. (Fig. 19)
3. Move the engine choke control to the FULL CHOKE (closed) position. (Fig. 20)
4. Push the variable speed control fully counterclockwise. (Fig. 21)
5. Use your left hand to hold the body of the machine on the ground.
6. Pull the starter rope handle until the engine tries to run. Do not pull more than 3 times.
7. Move the choke control to the 1/2 position and pull the starter rope handle until the engine starts and runs. (Fig. 22)
8. Run the engine for approximately 10 seconds.
9. Push and hold the throttle trigger fully through all remaining steps.
10. Move the choke control to the OFF CHOKE (opened) position. (Fig. 23)
11. Warm the engine up for 1 minute.

To start a warm engine

1. Push and hold the throttle trigger.
2. Move the choke control to 1/2 position.
3. Pull the starter rope handle quickly while you pull the throttle trigger until the engine runs.

4. Move the choke control to the OFF CHOKE (opened) position.

Do not let your body touch the exhaust outlet area.

To stop the engine

- Push and release the engine STOP switch. The switch automatically returns to the ON position. Wait 7 seconds before you try to restart the product to make sure that the switch resets.

To use a nozzle

- Use the standard nozzle when precision and high air stream concentration is necessary. (Fig. 24)
- Use the high velocity nozzle when a wider airstream and large air velocity is necessary. (Fig. 25)

To adjust the blower nozzle

1. Twist the nozzle to the left to disengage the bayonet mount.
2. Move the nozzle to applicable position.
3. Twist the nozzle to the right until you feel a click.

To vacuum

Before you vacuum, put on the necessary safety equipment.



WARNING: Make sure that the collection bag is not damaged and that the zipper is closed before use. Do not use a bag that is damaged. This prevents injury caused by flying debris. Left hand operation increases the risk.



WARNING: Do not start the blower if the inlet cover is open or damaged (except if the vacuum tube is fitted).

- During operation of the blower the collection bag must be held by the shoulder strap. The strap must be worn on the top of the shoulder.
- Start the blower. Obey the instructions in the start and stop section *To stop the engine on page 12*. Read the safety instructions *Safety instructions for operation of the blower on page 7*.

To empty the collection bag



WARNING: Always examine the collection bag. Make sure that it is not damaged and that the zipper is closed before use. Do not use a damaged bag. There is a risk of injury because of flying debris. Be careful if left hand operation is applied. Do not touch the exhaust outlet area.

1. Stop the product.
2. Open the zipper on the side.
3. Empty the collection bag.
4. Close the zipper.

Maintenance



WARNING: Read and understand the safety chapter before you clean, repair or do maintenance on the product.

Maintenance schedule

Make sure that you obey the maintenance schedule. The intervals are calculated from daily use of the product. The intervals are different if you do not use the product each day. Only do the maintenance work that is found in this manual. Speak to an approved service center about other maintenance work not found in this manual.

Daily maintenance

- Clean the external surfaces.
- Examine the speed control and the throttle trigger function. Replace damaged parts.
- Examine the stop switch. If it is necessary, replace it.
- Examine the idle speed.
- Clean the air filter. If it is necessary, replace it.

- Make sure that the inlet cover can be locked in closed position. Make sure that the impeller is clean.
- Tighten all nuts and screws.
- Make sure that the housings are free of cracks.
- Make sure that the collection bag is not damaged and that the zipper works. Replace the bag if necessary.

Weekly maintenance

- Examine the condition of the starter device, the starter rope and the tension spring. Replace all damaged parts.
- Examine the condition of the air intake at the starter device. Remove debris if the air intake is clogged.
- Clean the external side of the spark plug. Remove it and examine the electrode gap. Adjust the distance to 0.6 mm (0.024 in) or replace the spark plug.
- Clean the blades on the impeller.
- Clean the spark-arresting screen and replace it if necessary (not on mufflers with a catalytic converter).

- Clean the carburetor area.
- Clean the air filter.

Monthly maintenance

- Examine the starter rope handle and the starter rope.
- Clean the fuel tank.
- Clean the carburetor and the area around it.
- Clean the blades on the impeller.
- Examine the fuel lines for cracks or other damage. Change if necessary
- Change the fuel filter in the fuel tank.
- Examine all cables and connections.
- Replace the spark plug.
- Change the air filter.

Yearly maintenance

- Examine the spark plug.
- Clean the external surface of the carburetor and its adjacent areas.
- Clean the cooling system.
- Examine the spark arrester screen.
- Examine the fuel filter.
- Examine the fuel hose for damage.
- Examine all cables and connections.

50 hours maintenance

- Have an approved service center repair or replace the muffler.

To adjust the idle speed

- Make sure that the air filter is clean and the air filter cover is attached before you adjust the idle speed.
- Adjust the idle speed with the idle adjustment screw T which is identified with "T" mark.
- The idle speed is correct when the engine operates smoothly in all positions.

(Fig. 26)

1. Turn the idle adjustment screw clockwise for higher speed.
2. Turn the idle adjustment screw counterclockwise for lower speed.

To do maintenance on the spark arrester screen

Use a wire brush to clean the spark arrester screen.

To clean the cooling system

(Fig. 27)

Clean the parts of the cooling system with a brush.

To examine the spark plug



CAUTION: Always use the recommended spark plug type. Incorrect spark plug type can cause damage to the product.

- Examine the spark plug if the engine is low on power, is not easy to start or does not operate correctly at idle speed.
- To decrease the risk of unwanted material on the spark plug electrodes, obey these instructions:
 - a) Make sure that the idle speed is correctly adjusted.
 - b) Make sure that the fuel mixture is correct.
 - c) Make sure that the air filter is clean.
- If the spark plug is dirty, clean it and make sure that the electrode gap is correct. See *Technical data on page 13*. (Fig. 28)
- Replace the spark plug, if necessary.

To do the maintenance to the air filter

To clean the air filter

1. Remove the air filter cover and remove the air filter. (Fig. 29)
2. Clean the air filter with warm soap water. Make sure that the air filter is dry before you install it.
3. Replace the air filter if it is too dirty to fully clean it. Always replace a damaged air filter.
4. If your product has a foam air filter, apply air filter oil. Only apply air filter oil to a foam filter. Do not apply oil to a felt filter.

Technical data

	unit	125B (125B28HV)	125BVX (125B28HV)
Engine Specifications			
Cylinder displacement	cm ³	28	28
Electrode gap	mm	0.6	0.6
Fuel tank volume	cm ³	500	500

Idle speed	min ⁻¹	2800 - 3200	2800 - 3200
Maximum power speed	min ⁻¹	8000	8000
Power output	kW	0.8	0.8
Spark plug		Champion RCJ-6Y	Champion RCJ-6Y
Maximum speed blow mode	min ⁻¹	8600	8600
Maximum speed vaccum mode	min ⁻¹	--	7500
Emission durability period	h	125	125
Noise and Vibration Data			
Equivalent vibration level at handles with blower tubes and nozzle (original)- see note 1	m/s ²	11.03	11.03
Equivalent vibration level at handles with vaccum tubes (original), left/right - see note 1	m/s ²	--/--	12.16/12.29
Equivalent sound pressure level at the operators' ear measured according to ISO 22868 equipped with blower tubes and nozzle (original) - see note 3	dB(A)	93	96
Sound pressure at the bystander's ear measured according to ANSI B175.2 equipped with blower tubes and nozzle (original)	dB(A)	71	71
Sound power level, measured - see note 2	dB(A)	106	106
Sound power level, guaranteed (L _{WA}) - see note 2	dB(A)	110	110
Product Dimensions			
Weight (without fuel but with blower tube and standard nozzle fitted)	kg	4.3	4.4
<p>Note 1: Reported data for equivalent vibration level has a typical statistical dispersion (standard deviation) of 1 m/s².</p> <p>Note 2: Noise emissions in the environment measured as sound power (L_{WA}) in conformity with EC directive 2000/14/ EC. Reported sound power level for the machine has been measured with the original attachment that gives the highest level. The difference between guaranteed and measured sound power is that the guaranteed sound power also includes dispersion in the measurement result and the variations between different machines of the same model according to Directive 2000/14/EC.</p> <p>Note 3: Reported data for equivalent sound pressure level for the machine has a typical statistical dispersion (standard deviation) of 1 dB (A).</p>			

Fan	Unit	125B	125BVX
Type		Radial fan	Radial fan
Max. air velocity, standard nozzle	km/h	217	217
Max. air velocity, high velocity nozzle*	km/h	273	273
Air volume blow mode	cfm	425	425
Air volume vaccum mode	cfm	--	445

*optional accessory for some models

Accessories

125B, , 125BVX

Approved accessories	Type
Gutter clean-out kit	952 711 918

,

Approved accessories	Type
Vacuum kit	952 711 913

125B

Approved accessories	Type
High velocity nozzle	545 119 501

Contenido

Introducción.....	16	Mantenimiento.....	23
Seguridad.....	17	Datos técnicos.....	24
Montaje.....	20	Accesorios.....	26
Funcionamiento.....	21		

Introducción

Manual del usuario

El idioma original de este manual de usuario es el inglés. Los manuales de usuario en otros idiomas son traducciones del inglés.

Descripción general

(Fig. 1)

1. Correa para el hombro (125BVX)
2. Acelerador
3. Interruptor de DETENCIÓN
4. Ajuste del régimen
5. Carcasa de ventilador
6. Tapa del depósito de combustible
7. Filtro de aire
8. Estrangulador
9. Pera de cebado
10. Tapa de admisión
11. Mango de la aspiradora (125BVX)
12. Cortadores (125BVX)
13. Propulsor del ventilador
14. Boquilla estándar
15. Boquilla de alta velocidad (125BVX)
16. Tubo de la sopladora
17. Perno de la abrazadera del tubo
18. Tuercas de la abrazadera del tubo
19. Silenciador
20. Cable a tierra
21. Empuñadura de la cuerda de arranque
22. Dispositivo de arranque
23. Tornillos de ajuste del carburador
24. Manual del usuario
25. Dispositivo de aspiradora con elementos de recolección que tienen los artículos del 26 al 30 a continuación (125BVX)
26. Tubo de la bolsa de recolección (125BVX)
27. Bolsa de recolección (125BVX)
28. Tubo de aspiradora en dos secciones (125BVX)
29. Tornillo (125BVX)
30. Correa para el hombro (125BVX)

Símbolos en el producto

(Fig. 2) Advertencia

(Fig. 3) Lea este manual

(Fig. 4) Use protección auricular aprobada

(Fig. 4) Use protección ocular aprobada

(Fig. 4) Utilice máscara contra polvo aprobada

(Fig. 5) Use guantes protectores aprobados

(Fig. 6) El producto puede provocar que los objetos salgan expulsados, lo que puede causar daños a los ojos

(Fig. 7) No se acerque al propulsor mientras gira

(Fig. 8) No deje que un niño se acerque al producto.

(Fig. 9) Si tiene el cabello largo, asegúrese de amarrarlo sobre sus hombros

(Fig. 10) Distancia de seguridad

Tenga en cuenta: Otros símbolos o etiquetas del producto hacen referencia a requisitos de certificación para otras zonas comerciales.

Daños en el producto

No somos responsables de los daños a nuestro producto en los siguientes casos:

- el producto se repara incorrectamente
- el producto se repara con piezas que no son del fabricante o que este no autoriza
- el producto tiene un accesorio que no es del fabricante o que este no autoriza
- el producto no se repara en un centro de servicio autorizado o por una autoridad aprobada.

Seguridad

Definiciones de seguridad

Las siguientes definiciones proporcionan el nivel de gravedad de cada palabra clave.



ADVERTENCIA: Lesiones a personas.



AVISO: Daños en el producto.

Tenga en cuenta: Esta información hace que el producto sea más fácil de usar.

Instrucciones generales de seguridad



ADVERTENCIA: Lea atentamente las instrucciones de advertencia siguientes antes de usar el producto.

- Utilice el producto correctamente. Las lesiones graves o fatales son un posible resultado de un uso incorrecto. Solo utilice el producto para las tareas que aparecen en este manual. No utilice el producto para otras tareas.
- Obedezca las instrucciones contenidas en este manual. Obedezca los símbolos y las instrucciones de seguridad. Si el usuario no obedece las instrucciones y los símbolos, es posible que se produzcan daños y lesiones tanto graves como fatales.
- No deseche este manual. Utilice las instrucciones para montar, operar y mantener el producto en buen estado. Utilice las instrucciones para la correcta instalación de piezas y accesorios. Utilice solamente piezas y accesorios homologados.
- No use un producto dañado. Cumpla con el programa de mantenimiento. Realice solamente las tareas de mantenimiento en las que se detallan instrucciones en este manual. Un centro de servicio autorizado debe realizar todos los demás trabajos de mantenimiento.
- En este manual no se pueden abarcar todas las situaciones que pueden ocurrir cuando se utiliza el producto. Tenga cuidado y use el sentido común. No haga funcionar el producto ni le realice mantenimiento si no está seguro de la situación. Hable con un experto en el producto, su distribuidor, el agente de servicio o un centro de servicio autorizado para obtener más información.
- Desconecte el cable de la bujía antes de montar o almacenar el producto, o realizar tareas de mantenimiento.
- No utilice el producto si cambia su especificación inicial. No cambie una parte del producto sin la aprobación del fabricante. Utilice solo piezas aprobadas por el fabricante. Las lesiones graves o fatales son un posible resultado de un mantenimiento incorrecto.
- No respire los humos del motor. La inhalación prolongada de los gases de escape es un riesgo para la salud.
- No encienda el producto en interiores o cerca de materiales inflamables. Los gases de escape están muy calientes y pueden crear incendios debido a la creación de chispas. Un flujo de aire insuficiente puede causar lesiones graves o fatales por asfixia o debido al monóxido de carbono.
- Cuando utilice este producto, el motor crea un campo electromagnético. El campo electromagnético puede causar daños a implantes médicos. Hable con su médico y fabricante del implante antes de utilizar el producto.
- No deje que un niño utilice el producto. No permita que una persona que no conozca las instrucciones utilice el producto.
- Asegúrese de supervisar siempre a una persona con capacidades físicas o mentales limitadas que utilice el producto. Debe haber un adulto responsable en todo momento.
- Mantenga el producto en un área a la cual los niños y las personas no autorizadas no puedan acceder.
- El producto puede expulsar objetos y causar lesiones. Siga las instrucciones de seguridad para reducir el riesgo de lesiones graves o fatales.
- No se aleje del producto cuando el motor esté en marcha.
- El operador del producto es responsable en caso de un accidente.
- Asegúrese de que las piezas no estén dañadas antes de utilizar el producto.
- Asegúrese de estar al menos a 15 m (50 pies) de distancia de otras personas o animales antes de utilizar el producto. Asegúrese de que las personas en el área adyacente sepan que utilizará el producto.
- Consulte las leyes locales o nacionales. Estas pueden evitar o disminuir el funcionamiento del producto en algunas condiciones.
- No utilice el producto si está cansado o bajo la influencia de alcohol, drogas o medicamentos. Pueden tener efectos sobre su visión, estado de alerta, coordinación o criterio.

Seguridad de vibración

Este producto solo sirve para su uso ocasional. El funcionamiento continuo o regular del producto puede provocar la enfermedad de Dupuytren o problemas médicos equivalentes producto de las vibraciones. Examine la condición de sus manos y dedos si opera el producto regular o continuamente. Si sus manos o dedos tienen una decoloración, dolor, cosquilleo o se sienten entumecidos, detenga el trabajo y póngase en contacto con un médico de inmediato.

Instrucciones de seguridad para la operación de la sopladora

- Utilice el producto solo para soplar o extraiga las hojas y otros desechos en el suelo.
- No utilice el producto cuando esté cansado, enfermo o si ha consumido alcohol, drogas o medicamentos.
- No permita que las personas que se encuentran cerca o los animales se acerquen a menos de 15 m (50 pies) del operador.
- El producto puede expulsar objetos a gran velocidad, que pudieran rebotar y golpear el operador. Esto puede provocar lesiones oculares.
- No apunte la boquilla del ventilador en la dirección de las personas o de los animales.
- Si tiene el cabello largo, asegúrese de amarrarlo sobre sus hombros.
- Detenga el motor antes del montaje o desmonte los accesorios u otros componentes.
- No utilice el producto sin protección.
- No utilice el producto si hay personas en el área de trabajo. Detenga el producto si una persona entra al área de trabajo.
- No utilice el producto en un espacio con el flujo de aire satisfactorio. Si el flujo de aire es insuficiente, puede causar lesiones graves o fatales por asfixia o debido al monóxido de carbono.
- El silenciador está muy caliente mientras el producto está encendido, después de que se detiene y cuando funciona a régimen de ralentí. Tenga cuidado cuando esté cerca de materiales inflamables y gases inflamables.
- No toque la zona de la tapa de admisión. No acerque joyería ni prendas sueltas y holgadas a la zona de admisión.
- Mantenga siempre un punto de apoyo adecuado y utilice el producto solo en superficies niveladas y seguras. Las superficies resbaladizas e inestables, como escaleras, pueden provocar pérdida de equilibrio o de control.
- No utilice el producto en una zona alta, como un techo.
- Asegure el producto durante el transporte.
- Utilice el producto solo durante las horas recomendadas. Siga las normas locales. Las

recomendaciones habituales indican que utilice el producto de lunes a sábado entre las 9:00 a. m. y las 5:00 p. m.

- Utilice el producto con la menor aceleración posible para realizar el trabajo.
- Asegúrese de no correr riesgos de caídas cuando utilice el producto. No se incline cuando utilice el producto.
- Asegúrese de que el producto está en buenas condiciones antes de utilizarlo, especialmente el silenciador, la toma de aire y el filtro de aire.
- Utilice un rastrillo o una escoba para aflojar los residuos del suelo antes de utilizar el producto.
- Si la zona de trabajo está muy sucia, vaporícela con una manguera.
- Utilice el producto como alternativa a una manguera para ahorrar agua.
- Sople los residuos de forma segura. Vigile a los niños, los animales, las ventanas abiertas o los vehículos.
- No apunte el producto a plantas que se dañan con facilidad.
- No sople aire en dirección a objetos tales como muros, piedras grandes, vehículos y cercas.
- Si trabaja en el interior de las esquinas, sople desde la esquina y en el centro de la zona de trabajo. Si no es así, los residuos pueden golpearlo en la cara y causar lesiones oculares.
- Utilice toda la extensión de la boquilla para mantener la corriente de aire cerca del suelo.
- Es necesario que las personas que se encuentran cerca utilicen protección ocular.
- Deseche el residuo en los receptáculos para basura después de utilizar el producto.

Instrucciones de seguridad para utilizar la aspiradora

- Evite los daños en el ventilador. No aspire objetos grandes y sólidos, tales como madera, bidones, caucho, mantillo o piezas largas de la cuerda.
- No deje que el tubo de la aspiradora golpee el suelo.
- Detenga el motor y desconecte el sombrerete de bujía antes de quitar un material tapado o una obstrucción.

Equipo de protección personal

- Utilice siempre el equipo de protección personal adecuado cuando utilice el producto. El equipo de protección personal no elimina el riesgo de lesiones. El equipo de protección personal disminuye el grado de la lesión en caso de un accidente.
- Use siempre protección ocular autorizada cuando utilice el producto.
- No utilice el producto con los pies descalzos o con zapatos abiertos. Use siempre botas antideslizantes de servicio pesado.

- Utilice pantalones largos y gruesos.
- Si es necesario, utilice guantes de protección aprobados.
- Use un casco si existe la posibilidad de que caigan objetos sobre su cabeza.
- Use siempre protectores auriculares autorizados cuando utilice el producto. Escuchar ruidos durante un largo período puede provocar pérdida de audición inducida por el ruido.
- Siempre utilice un máscara contra polvo aprobada mientras utiliza el producto en ambientes con polvo.
- Asegúrese de tener un botiquín de primeros auxilios.

Dispositivos de protección en el producto

- Asegúrese de realizar el mantenimiento del producto frecuentemente.
 - Esto aumenta la vida útil del producto.
 - Disminuye el riesgo de accidentes.
- Permita que un concesionario autorizado o un centro de servicio autorizado examinen frecuentemente el producto para realizar ajustes o reparaciones.
- No use un producto con equipo de protección dañado. Si el producto está dañado, comuníquese con un centro de servicio autorizado.

Interruptor de detención

Arranque el motor. Asegúrese de que el motor se detenga cuando mueva el interruptor de detención a la posición de detención. (Fig. 11)

Silenciador



ADVERTENCIA: No toque el silenciador si está caliente. El silenciador está muy caliente mientras funciona el motor y después de que este se detiene. Tocar el silenciador puede causar quemaduras.

- No utilice un motor con un silenciador dañado. Un silenciador dañado aumenta el nivel de ruido y el riesgo de incendio. Mantenga un extintor de incendios cerca.
- Examine frecuentemente que el silenciador esté unido al producto.
- No toque el motor o el silenciador cuando el motor esté en marcha. No toque el motor o el silenciador por un tiempo después de que el motor se detenga. Las superficies calientes pueden causar lesiones.
- Un silenciador caliente puede provocar un incendio. Tenga cuidado si utiliza el producto cerca de líquidos inflamables o gases.

- No toque las piezas del silenciador si el silenciador está dañado. Las piezas pueden contener algunos productos químicos cancerígenos.
- Algunos modelos de sopladora tienen una rejilla antichispas. Limpie y reemplace la rejilla en intervalos especificados. Consulte la sección de Mantenimiento (*Mantenimiento en la página 23*). (Fig. 12)

Seguridad de combustible

- No arranque el producto si hay combustible o aceite de motor en el producto. Quite el combustible o aceite no deseado y deje secar el producto. Quite el combustible no deseado del producto.
- Si derrama combustible en su ropa, cámbiese la ropa inmediatamente.
- No permita que le caiga combustible en el cuerpo, ya que puede causar lesiones. Si le cae combustible en el cuerpo, utilice jabón y agua para quitarlo.
- No arranque el motor si derrama aceite o combustible en el producto o en su cuerpo.
- No arranque el producto si el motor tiene una fuga. Examine frecuentemente el motor en busca de fugas.
- Tenga cuidado con el combustible. El combustible es inflamable y los gases son explosivos y pueden causar lesiones graves o fatales.
- No respire los gases del combustible, ya que pueden causar lesiones. Asegúrese de que haya suficiente flujo de aire.
- No fume cerca del combustible o del motor.
- No coloque objetos calientes cerca del combustible o del motor.
- No agregue combustible cuando el motor esté en marcha.
- Asegúrese de que el motor se enfríe antes de llenar el depósito de combustible.
- Antes de llenar el depósito de combustible, abra lentamente la tapa del depósito de combustible y libere la presión con cuidado.
- No agregue combustible al motor en un área interior. Un flujo de aire insuficiente puede causar lesiones graves o fatales por asfixia o debido al monóxido de carbono.
- Apriete la tapa del depósito de combustible con cuidado para evitar incendios.
- Mueva el producto a un mínimo de 3 m (10 pies) de la posición en la que se llenó el depósito antes de empezar.
- No ponga demasiado combustible en el depósito de combustible.
- Asegúrese de que no se puedan provocar fugas cuando mueva el producto o el recipiente de combustible.
- No coloque el producto ni un recipiente de combustible donde haya una llama expuesta,

una chispa o una fuente de calor. Asegúrese de que no haya una llama expuesta en el área de almacenamiento.

- Utilice solamente contenedores aprobados cuando mueva el combustible o coloque el combustible en el almacenamiento.
- Vacíe el depósito de combustible antes de un almacenamiento a largo plazo. Cumpla con las leyes locales en cuanto al lugar en dónde se puede deshacer del combustible.
- Limpie el producto antes de un almacenamiento a largo plazo.
- Retire el cable de la bujía antes de almacenar el producto, para asegurarse de que el motor no arranque accidentalmente.

Instrucciones de seguridad para el mantenimiento



ADVERTENCIA: Un mantenimiento incorrecto puede provocar un deterioro severo del motor o daños graves.

El propietario es responsable por la realización de todo el mantenimiento necesario, según se especifica en el manual del operador. Desconecte la bujía antes de realizar el mantenimiento. No desconecte la bujía antes de realizar ajustes al carburador.

Montaje



ADVERTENCIA: Lea el capítulo de seguridad antes de montar el producto.

Para instalar la boquilla y el tubo de la sopladora en el producto

Tenga en cuenta: El perno debe estar lo suficientemente aflojado para poner el tubo de la sopladora en la salida de la sopladora. Gire el perno en el sentido contrario a las agujas del reloj con un destornillador para aflojarlo.

1. Alinee la pestaña del tubo acodado con las ranuras de la salida de la sopladora. Mueva el tubo en su posición.
2. Gire el perno en el sentido de las agujas del reloj con un destornillador y fije el tubo.

Tenga en cuenta: No utilice ninguna otra herramienta en la tuerca.

3. Alinee las ranuras del tubo inferior de la sopladora con las pestañas en el tubo superior de la sopladora. Mueva el tubo inferior de la sopladora sobre el tubo superior de la sopladora.
4. Gire el tubo inferior de la sopladora en el sentido de las agujas del reloj hasta que haya un clic.

Para instalar la boquilla y el tubo de la sopladora

Tenga en cuenta: Asegúrese de instalar el perno de la abrazadera del tubo y la tuerca de la abrazadera del tubo antes de utilizar el producto.

1. Afloje el perno de la abrazadera del tubo.
2. Alinee la ranura a la salida de aire de la sopladora con la pestaña en el tubo.

3. Empuje el tubo hasta que se alineen los orificios en el tubo y la carcasa.
4. Apriete el perno de la abrazadera del tubo.
5. Gire la boquilla hacia la derecha hasta que escuche un clic.

Para instalar la bolsa de recolección con diferentes tubos de la aspiradora



ADVERTENCIA: Apague el motor antes de fijar los tubos al producto.

Para montar la bolsa de recolección

1. Abra la bolsa de recolección.
2. Inserte el tubo de la bolsa de recolección desde el interior de la bolsa para que calce en la abertura de entrada de la aspiradora.
3. Asegúrese de que el elástico se ajuste en la ranura (A).
4. Cierre el cierre de la bolsa. (Fig. 13)

Para instalar el tubo de la bolsa de recolección

1. Retire el tubo de la sopladora, si está instalado.
2. Alinee la pestaña en el tubo de la bolsa de recolección (A) con la ranura en la salida de la sopladora (B).
3. Presione el tubo de la bolsa de recolección completamente en la salida de la sopladora.
4. Inserte la tuerca (C) en su abertura.
5. Instale el tornillo (D) y apriételo con un destornillador para fijar el tubo. (Fig. 14)

Para unir los tubos de la aspiradora

1. Alinee la flecha en el tubo inferior (A) de la aspiradora con la flecha en el tubo superior (B) de la aspiradora.

- Presione el tubo inferior de la aspiradora en el tubo superior de la aspiradora.
- Utilice un destornillador para instalar el tornillo autorroscante (C) que sujeta los tubos. (Fig. 15)

Para instalar los tubos de la aspiradora

- Inserte la punta de un destornillador en el área del seguro de la entrada de la aspiradora.
- Gire el destornillador para soltar el seguro. (Fig. 16)
- Mantenga la cubierta de la entrada de la aspiradora abierta hasta que el tubo superior de vacío se encuentre en su lugar.

- Alinee las pestañas en el interior de la entrada de la aspiradora con las ranuras en el tubo superior de la aspiradora. Asegúrese de que el símbolo de bloqueo en el tubo se alinee con el símbolo de desbloqueo en la entrada de la aspiradora. (Fig. 17)
- Presione el tubo superior de la aspiradora completamente en la entrada de la aspiradora.
- Gire el tubo superior de la aspiradora hacia la derecha hasta que el símbolo de bloqueo en el tubo se alinee con el símbolo de bloqueo en la entrada. El tubo hace un clic cuando está conectado correctamente. (Fig. 18)

Funcionamiento



ADVERTENCIA: Asegúrese de leer y comprender el capítulo de seguridad antes de utilizar el producto.

Combustible

Para utilizar combustible



AVISO: Este producto tiene un motor de dos ciclos. Utilice una mezcla de gasolina y de aceite del motor de dos ciclos. Asegúrese de utilizar la cantidad correcta de aceite en la mezcla. Una relación incorrecta de gasolina y aceite puede provocar daños al motor.

Gasolina



AVISO: No utilice gasolina con un octanaje inferior a 90 RON (87 AKI). Esto puede provocar daños al producto.



AVISO: No utilice gasolina con más de un 10 % de etanol concentrado (E10). Esto puede provocar daños al producto.



AVISO: No utilice gasolina con plomo. Esto puede provocar daños al producto.

- Siempre utilice gasolina sin plomo nueva con un octanaje mínimo de 90 RON (87 AKI) y con menos de un 10 % de etanol concentrado (E10).
- Use gasolina con un octanaje superior si con frecuencia utiliza el producto a velocidades de motor continuamente altas.
- Utilice siempre una mezcla de aceite/gasolina sin plomo de buena calidad.

Aceite para motor de dos ciclos

- Use solamente aceite de motor de dos ciclos de alta calidad. Utilice solamente aceite de motor enfriado por aire.
- No utilice otros tipos de aceite.
- Proporción de mezcla 50:1 (2 %)

Gasolina	Aceite
1 gal EE. UU.	77 ml (2,6 oz)
1 gal británico	95 ml (3,2 oz)
5 l	100 ml (3,4 oz)

Para hacer la mezcla de combustible

Tenga en cuenta: Use siempre un recipiente de combustible limpio cuando mezcle el combustible.

Tenga en cuenta: No realice una cantidad de mezcla de combustible para más de 30 días.

- Agregue la mitad de la cantidad de gasolina.
- Agregue la cantidad total de aceite.
- Agite la mezcla de combustible para mezclar el contenido.
- Agregue la cantidad restante de gasolina.
- Agite la mezcla de combustible para mezclar el contenido.
- Llene el depósito de combustible.

Para agregar combustible

- Utilice siempre un recipiente de combustible con una válvula antiderrames.
- Si hay combustible en el recipiente, retire el combustible no deseado y deje que el contenedor se seque.
- Asegúrese de que el área cerca de la tapa del depósito de combustible está limpia.

- Agite el recipiente de combustible antes de agregar la mezcla de combustible al tanque de combustible.

Para arrancar y detener

Antes de arrancar el motor

- Examine el producto para ver si hay piezas dañadas, sueltas, desgastadas o faltantes.
- Examine la bolsa de recolección. Asegúrese de que la bolsa de recolección no está dañada y de que el cierre no esté abierto.
- Examine las tuercas, los tornillos y los pernos.
- Examine el filtro de aire.
- Examine el acelerador para su correcto funcionamiento.
- Examine el interruptor de detención para su correcto funcionamiento.
- Examine el producto en busca de fugas de combustible.

Para arrancar un motor frío



ADVERTENCIA: No enrolle la cuerda de arranque alrededor de su brazo.



AVISO: No sujete el producto con el pie.



AVISO: No tire de la cuerda de arranque hasta la posición final. No suelte la empuñadura de la cuerda de arranque cuando esté totalmente extendida. Esto puede dañar el producto.

Tenga en cuenta: Si el motor se detiene, mueva el estrangulador a la posición cerrada y vuelva a realizar los pasos de arranque.

1. Llene el depósito de combustible con una mezcla de combustible limpio.
2. Presione el cebador 10 veces. (Fig. 19)
3. Mueva el estrangulador del motor a la posición ESTRANGULADOR TOTALMENTE ABIERTO (cerrado). (Fig. 20)
4. Empuje el ajuste del régimen de velocidad variable completamente en el sentido contrario a las manecillas del reloj. (Fig. 21)
5. Utilice la mano izquierda para sujetar el cuerpo de la máquina en el suelo.
6. Tire de la empuñadura de la cuerda de arranque hasta que el motor intente ponerse en marcha. No tire más de 3 veces.

7. Mueva el mando estrangulador a la posición 1/2 y tire de la empuñadura de la cuerda de arranque hasta que el motor arranque y se ponga en marcha. (Fig. 22)
8. Arranque el motor por 10 segundos aproximadamente.
9. Empuje y sujete el acelerador completamente en todos los pasos siguientes.
10. Mueva el estrangulador a la posición ESTRANGULADOR APAGADO (abierto). (Fig. 23)
11. Caliente el motor por 1 minuto.

Para arrancar un motor caliente

1. Empuje y sujete el acelerador.
2. Mueva el estrangulador a la posición 1/2.
3. Tire de la empuñadura de la cuerda de arranque rápidamente mientras tira del acelerador hasta que el motor se ponga en marcha.
4. Mueva el estrangulador a la posición ESTRANGULADOR APAGADO (abierto).

Detener el motor

- Presione y suelte el interruptor de DETENCIÓN del motor. El interruptor regresa automáticamente a la posición de ENCENDIDO. Espere 7 segundos antes de intentar reiniciar el producto para asegurarse de que se restablezca el interruptor.

Utilizar una boquilla

- Utilice la boquilla estándar cuando sea necesario aplicar una abundante concentración de corriente de aire y precisión. (Fig. 24)
- Utilice la boquilla de alta velocidad cuando sea necesario una mayor corriente de aire y una gran velocidad de aire. (Fig. 25)

Ajustar la boquilla de la sopladora

1. Gire la boquilla hacia la izquierda para desacoplar la montura de la bayoneta.
2. Mueva la boquilla en la posición correspondiente.
3. Gire la boquilla hacia la derecha hasta que escuche un clic.

Aspirar

Antes de aspirar, coloque el equipo de seguridad necesario.



ADVERTENCIA: Asegúrese de que la bolsa de recolección no está dañada y de que el cierre no esté abierto antes de utilizar el producto. No utilice una bolsa dañada. Esto evita los daños causados por los residuos en suspensión. Aumenta el riesgo si utiliza el producto con la mano izquierda. No

permita que su cuerpo entre en contacto con la zona de la salida de escape.



ADVERTENCIA: No ponga en marcha el soplador si la tapa de admisión está abierta o dañada (excepto si el tubo de la aspiradora está montado).

- Durante el funcionamiento de la sopladora, la correa para el hombro debe sostener la bolsa de recolección. La correa se debe utilizar en la parte superior del hombro.
- Encender la sopladora. Siga las instrucciones que aparecen en la sección Arranque y Detención *Detener el motor en la página 22*. Lea atentamente las instrucciones de seguridad *Instrucciones de seguridad para la operación de la sopladora en la página 18*.

Vaciar la bolsa de recolección



ADVERTENCIA: Siempre debe examinar la bolsa de recolección. Asegúrese de que no esté dañada y de que el cierre no está abierto antes de utilizarla. No utilice una bolsa dañada. Existe el riesgo de lesiones debido a los residuos en suspensión. Tenga mucho cuidado utiliza el producto con la mano izquierda. No toque la zona de la salida de escape.

1. Detener la máquina.
2. Abra el cierre del lado.
3. Vaciar la bolsa de recolección.
4. Use el cierre para cerrarla.

Mantenimiento



ADVERTENCIA: Asegúrese de leer y comprender el capítulo de seguridad antes de limpiar, reparar o realizar el mantenimiento del producto.

Programa de mantenimiento

Asegúrese de cumplir con el programa de mantenimiento. Los intervalos se calculan a partir del uso diario del producto. Los intervalos son diferentes si no utiliza el producto todos los días. Realice solamente las tareas de mantenimiento que se encuentran en este manual. Hable con un centro de servicio aprobado acerca de los trabajos de mantenimiento que no aparezcan en este manual.

Para llevar a cabo un mantenimiento diario

- Limpie las superficies externas.
- Examine la función del ajuste del régimen y el acelerador. Cambie las piezas dañadas.
- Examine el interruptor de detención. Si es necesario, cámbielo.
- Examine el régimen de ralentí.
- Limpie el filtro de aire. Si es necesario, cámbielo.
- Asegúrese de que la tapa de admisión se pueda bloquear en la posición cerrada. Asegúrese de que el propulsor esté limpio.
- Apriete todas las tuercas y tornillos.
- Asegúrese de que las carcasas no tengan grietas.
- Asegúrese de que la bolsa de recolección no está dañada y de que el cierre funcione. Reemplace la bolsa si es necesario.

Mantenimiento semanal

- Examine la condición del dispositivo de arranque, la cuerda de arranque y la tensión del muelle. Cambie todas las piezas dañadas.

- Examine la condición de la toma de aire en el dispositivo de arranque. Retire los residuos si la toma de aire está obstruida.
- Limpie el lado exterior de la bujía. Retire y examine la distancia entre los electrodos. Ajuste la distancia a 0,6 mm (0,024 pulg.) o cambie la bujía.
- Limpie las aspas del propulsor.
- Limpie la rejilla antichispas y cámbiela si es necesario (no en silenciadores con catalizador).
- Limpie la zona del carburador.
- Limpie el filtro de aire.

Mantenimiento mensual

- Examine la empuñadura de la cuerda de arranque y la cuerda de arranque.
- Limpie el depósito de combustible.
- Limpie el carburador y la zona alrededor del mismo.
- Limpie las aspas del propulsor.
- Examine las tuberías de combustible para encontrar grietas u otros daños. Reemplace si es necesario
- Cambie el filtro de combustible en el depósito de combustible.
- Examine todos los cables y conexiones.
- Reemplace la bujía.
- Cambie el filtro de aire.

Mantenimiento anual

- Examine la bujía.
- Limpie la superficie externa del carburador y sus zonas adyacentes.
- Limpie el sistema de refrigeración.
- Examine la rejilla apagachispas.
- Examine el filtro de combustible.

- Examine la manguera de combustible en busca de daños.
- Examine todos los cables y conexiones.

incorrecto puede causar daños en el producto.

Mantenimiento de 50 horas

- Recorra a un centro de servicio autorizado para que reparen o reemplacen el silenciador.

Para ajustar el régimen de ralentí

- Asegúrese de que el filtro de aire esté limpio y que la cubierta del filtro de aire esté instalada antes de ajustar el régimen de ralentí.
 - Ajuste el régimen de ralentí con el tornillo de ajuste de ralentí T, el cual se identifica con la marca "T". (Fig. 26)
 - El régimen de ralentí es el correcto cuando el motor funciona correctamente en todas las posiciones.
1. Gire el tornillo de ajuste en el sentido de las agujas del reloj para aumentar la velocidad.
 2. Gire el tornillo de ajuste en el sentido contrario a las agujas del reloj para bajar la velocidad.

Para realizar tareas de mantenimiento en la rejilla apagachispas

Use un cepillo de alambre para limpiar la rejilla apagachispas.

Para limpiar el sistema de refrigeración

Limpie las piezas del sistema de refrigeración con un cepillo. (Fig. 27)

Para examinar la bujía



AVISO: Utilice siempre el tipo de bujía recomendada. El tipo de bujía

- Examine la bujía si el motor tiene una potencia demasiado baja, no arranca fácilmente o no funciona correctamente al régimen de ralentí.
- Para disminuir el riesgo de material no deseado en los electrodos de la bujía, siga estas instrucciones:
 - a) Asegúrese de que el régimen de ralentí esté ajustado correctamente.
 - b) Asegúrese de que la mezcla de combustible es la correcta.
 - c) Asegúrese de que el filtro de aire esté limpio.
- Si la bujía está sucia, límpiela y asegúrese de que la distancia entre los electrodos sea la correcta. Consulte *Datos técnicos en la página 24*. (Fig. 28)
- Reemplace la bujía si es necesario.

Para realizar el mantenimiento del filtro de aire

Para limpiar el filtro de aire

1. Quite la cubierta del filtro de aire y retire el filtro de aire. (Fig. 29)
2. Limpie el filtro de aire con agua jabonosa caliente. Asegúrese de que el filtro de aire esté seco antes de instalarlo.
3. Reemplace el filtro de aire si está demasiado sucio para limpiarlo completamente. Siempre reemplace un filtro de aire dañado.
4. Si su producto tiene un filtro de aire de espuma, aplique aceite del filtro de aire. Solo aplique aceite del filtro de aire a un filtro de espuma. No aplique aceite a un filtro de fieltro.

Datos técnicos

	unidad	125B	125BVX
		(l)	(l)
Especificaciones del motor			
Cilindrada	cm ³	28	28
Distancia entre los electrodos	in	0,6	0,6
Volumen del depósito de combustible	cm ³	500	500
Régimen de ralentí	min ⁻¹	2800 - 3200	2800 - 3200
Velocidad de potencia máxima	min ⁻¹	8000	8000

Potencia de salida	kW	0,8	0,8
Bujía		Champion RCJ-6Y	Champion RCJ-6Y
Modo soplido con régimen máximo	min ⁻¹	8600	8600
Modo aspiradora con régimen máximo	min ⁻¹	--	7500
Período de durabilidad de las emisiones	h	125	125
Datos de ruido y vibración			
Nivel de vibración equivalente en las empuñaduras con los tubos y la boquilla de la sopladora (original), consulte la nota 1	m/s ²	11,03	11,03
Nivel de vibración equivalente en las empuñaduras con los tubos de aspiración (original), consulte la nota 1	m/s ²	--/--	12,16/12,29
Nivel de presión acústica equivalente en el oído de los operadores medido según la norma ISO 22868, equipado con los tubos y la boquilla de la sopladora (original), consulte la nota 3	dB (A)	93	96
Presión acústica en el oído de personas cercanas según ANSI B175.2 equipado con los tubos y la boquilla de la sopladora (original)	dB (A)	71	71
Nivel de potencia acústica medida: consulte la nota 2	dB (A)	106	106
Nivel de potencia acústica garantizada (L _{WA}): consulte la nota 2	dB (A)	110	110
Dimensiones del producto			
Peso (sin combustible, pero con el tubo de la sopladora y la boquilla estándar montada)	kg	4,3	4,4
<p>Nota 1: Los datos informados para nivel de vibración equivalente tienen una dispersión estadística típica (desviación estándar) de 1 m/s².</p> <p>Nota 2: Las emisiones sonoras en el medioambiente medidas como potencia acústica (L_{WA}) en conformidad con la directiva CE 2000/14/CE. El nivel de potencia acústica registrado para la máquina se midió con el equipo original que proporciona el más alto nivel. La diferencia entre la potencia acústica garantizada y medida es que la potencia acústica garantizada también incluye la dispersión en el resultado de la medición y las variaciones entre las distintas máquinas del mismo modelo según la directiva 2000/14/CE.</p> <p>Nota 3: Los datos registrados para el nivel de presión acústica equivalente para la máquina tienen una dispersión estadística típica (desviación estándar) de 1 dB (A).</p>			

Ventilador	Unidad	125B	125BVX
Tipo		Ventilador radial	Ventilador radial
Velocidad máxima del aire, boquilla estándar	Km/h	217	217
Velocidad máxima del aire, boquilla de alta velocidad*	Km/h	273	273
Modo soplido con volumen de aire	cfm	425	425
Modo aspiradora con volumen de aire	cfm	--	445

* Accesorio opcional para algunos modelos

Accesorios

125B, , 125BVX

Accesorios aprobados	Tipo
Kit de limpieza de alcantarilla	952 711 918
,	
Accesorios aprobados	Tipo
Kit de la aspiradora	952 711 913
125B	
Accesorios aprobados	Tipo
Boquilla de alta velocidad	545 119 501

Table des matières

Introduction.....	27	Entretien.....	34
Sécurité.....	28	Caractéristiques techniques.....	35
Montage.....	31	Accessoires.....	37
Fonctionnement.....	32		

Introduction

Manuel d'utilisation

La langue initiale de ce manuel de l'opérateur est l'anglais. Les manuels de l'utilisateur fournis dans d'autres langues sont des traductions de l'anglais.

Vue d'ensemble

(Fig. 1)

1. Courroie d'épaule (125BVX)
2. Gâchette d'accélération
3. Interrupteur d'arrêt
4. Régulateur de vitesse
5. Boîtier du ventilateur
6. Bouchon du réservoir de carburant
7. Filtre à air
8. Commande de l'étrangleur
9. Poire d'amorçage
10. Couvercle d'admission
11. Poignée d'aspiration (125BVX)
12. Lames (125BVX)
13. Ailettes du ventilateur
14. Buse standard
15. Buse haute vitesse (125BVX)
16. Tube du souffleur
17. Boulon de fixation du tube
18. Écrous de fixation du tube
19. Silencieux
20. Fil de mise à la terre
21. Corde du lanceur
22. Lanceur
23. Vis de réglage du carburateur
24. Manuel de l'opérateur
25. Dispositif d'aspiration avec composants de ramassage qui regroupent les éléments 26 à 30 ci-dessous (125BVX)
26. Tube du sac de ramassage (125BVX)
27. Sac de ramassage (125BVX)
28. Tube d'aspiration en deux parties (125BVX)
29. Vis (125BVX)
30. Courroie d'épaule (125BVX)

Symboles figurant sur le produit

(Fig. 2) Avertissement

(Fig. 3) Lire attentivement ce manuel

(Fig. 4) Utiliser un dispositif de protection homologué pour les oreilles

(Fig. 4) Utiliser un dispositif de protection homologué pour les yeux

(Fig. 4) Utiliser un masque antipoussière homologué

(Fig. 5) Utiliser des gants de protection homologués

(Fig. 6) Le produit peut causer des projections d'objets, ce qui peut causer des dommages aux yeux

(Fig. 7) Ne pas s'approcher trop près des ailettes lorsqu'elles tournent

(Fig. 8) Ne pas laisser un enfant près du produit

(Fig. 9) Prendre soin de retenir les cheveux longs au-dessus des épaules

(Fig. 10) Distance de sécurité

Remarque : Les autres symboles/autocollants présents sur le produit renvoient aux exigences en matière de certification pour d'autres zones commerciales.

Produit endommagé

Nous ne sommes pas responsables des dommages causés à notre produit si :

- Le produit n'est pas réparé de façon adéquate.
- Le produit est réparé avec des pièces qui ne sont pas fournies ou homologuées par le fabricant.
- Le produit comprend un accessoire qui n'est pas fourni ou homologué par le fabricant.

- Le produit n'est pas réparé par un centre de service après-vente agréé ou par une autorité homologuée.

Sécurité

Définitions relatives à la sécurité

Les définitions ci-dessous indiquent le niveau de gravité pour chaque mot signal.



AVERTISSEMENT : Blessures aux personnes.



MISE EN GARDE : Dommages causés à l'outil.

Remarque : Cette information facilite l'utilisation de l'outil.

Consignes générales de sécurité



AVERTISSEMENT : Lire les messages d'avertissement qui suivent avant d'utiliser l'outil.

- Utiliser l'outil correctement. Des blessures graves ou mortelles peuvent résulter d'une utilisation non adéquate. Utiliser l'outil seulement pour les tâches décrites dans le présent manuel. Ne pas utiliser cet outil pour d'autres tâches.
- Suivre les instructions de ce manuel. Respecter les symboles et les instructions de sécurité. Si l'opérateur ne respecte pas les instructions et les symboles, il pourrait en résulter des blessures, des dommages ou la mort.
- Ne pas jeter ce manuel. Utiliser les instructions pour assembler l'outil, le faire fonctionner et le conserver en bon état. Suivre les instructions pour l'installation correcte des équipements et accessoires. Utiliser uniquement des pièces et accessoires homologués.
- Ne pas utiliser l'outil s'il est endommagé. Respecter le calendrier d'entretien. N'effectuer que les travaux d'entretien prescrits dans ce manuel. Un centre agréé doit effectuer tous les autres travaux d'entretien.
- Ce manuel ne décrit pas toutes les situations qui peuvent se produire lorsqu'on utilise l'outil. Rester prudent et faire preuve de bon sens. Ne pas faire fonctionner l'outil ni effectuer un entretien sur l'outil si vous n'êtes pas sûr de la situation. Pour obtenir plus d'information, s'adresser à un spécialiste de l'outil, à votre revendeur, à un atelier de réparation ou à un centre de service après-vente agréé.
- Débrancher le câble d'allumage avant d'installer, de stocker ou de procéder à l'entretien de l'outil.
- Ne pas utiliser l'outil si des modifications contraires à ses caractéristiques initiales y ont été apportées. Ne pas modifier une partie de l'outil sans l'approbation du fabricant. Utiliser seulement des pièces approuvées par le fabricant. Des blessures graves ou mortelles peuvent résulter d'un entretien non adéquat.
- Ne pas respirer les vapeurs du moteur. L'inhalation à long terme des produits d'échappement du moteur représente un danger pour la santé.
- Ne pas démarrer l'outil dans un local clos ou à proximité de matériaux inflammables. Les gaz d'échappement sont très chauds et peuvent contenir des étincelles qui peuvent causer un incendie. Un débit d'air insuffisant peut entraîner des blessures ou la mort en raison d'une asphyxie ou du monoxyde de carbone.
- Lors de l'utilisation de ce produit, le moteur génère un champ électromagnétique. Le champ électromagnétique peut endommager les implants médicaux. Parler à votre médecin et au fabricant de l'implant avant d'utiliser l'outil.
- Ne pas laisser un enfant utiliser l'outil. Ne laisser personne utiliser la machine sans connaître les instructions.
- S'assurer de toujours surveiller les personnes avec des capacités physiques ou mentales réduites qui utilisent le produit. Un adulte responsable doit être présent à tout moment.
- Enfermer le produit dans un endroit verrouillé auquel les enfants et les personnes non autorisées ne peuvent pas accéder.
- Le produit peut projeter des objets et causer des blessures. Respecter les consignes de sécurité afin de réduire le risque de blessures graves ou mortelles.
- Ne pas s'éloigner de l'outil lorsque le moteur est sous tension.
- Tout accident avec cet outil engage la responsabilité de l'opérateur.
- Avant d'utiliser l'outil, vérifier que les pièces ne sont pas endommagées.
- S'assurer d'être à au moins 15 m (50 pi) d'autres personnes ou d'animaux avant d'utiliser le produit. S'assurer que toutes les personnes dans les environs immédiats sont informés que vous allez utiliser le produit.
- Consulter les lois nationales ou locales. Elles peuvent interdire ou limiter l'utilisation de l'outil dans certaines conditions.
- Ne pas utiliser le produit en cas de fatigue ou sous l'emprise de l'alcool, de drogues ou de médicaments. Ils peuvent avoir des effets

indésirables sur votre vision, votre attention, votre coordination des gestes ou votre jugement.

Sécurité en matière de vibrations

Ce produit est réservé à un usage occasionnel. L'utilisation continue ou fréquente de l'outil peut entraîner le syndrome du « doigt mort » ou d'autres problèmes médicaux équivalents à cause des vibrations. Examiner souvent l'état de vos mains et de vos doigts si l'outil est utilisé de façon continue ou fréquente. Si vos mains ou vos doigts présentent une décoloration, sont douloureux, picotent ou sont engourdis, cesser de travailler et consulter un médecin immédiatement.

Consignes de sécurité pour l'utilisation du souffleur

- Utiliser le produit seulement pour souffler ou aspirer les feuilles et d'autres petits débris du sol.
- Ne pas utiliser le produit lorsqu'on est fatigué, malade, ou sous l'effet de l'alcool, de drogues ou de médicaments.
- Ne pas laisser les personnes à proximité ou les animaux à moins de 15 m (50 pi) de l'opérateur.
- Le produit peut éjecter des objets à vitesse élevée, qui peuvent ricocher et heurter l'opérateur. Cela peut provoquer des lésions oculaires.
- Ne pas diriger la buse du souffleur vers des personnes ou des animaux.
- Prendre soin de retenir les cheveux longs au-dessus des épaules
- Arrêter le moteur avant de monter ou démonter des accessoires ou d'autres composants.
- Ne pas utiliser le produit sans le dispositif de protection.
- Ne pas faire fonctionner le produit s'il y a des personnes dans la zone de travail. Arrêter le produit si une personne passe dans la zone de travail.
- Ne pas utiliser le produit dans un endroit où le débit d'air n'est pas adéquat. Si le débit d'air est insuffisant, il peut entraîner des blessures ou la mort en raison d'une asphyxie ou du monoxyde de carbone.
- Le silencieux est très chaud lorsque le produit est en marche, lorsqu'il s'arrête et lorsqu'il tourne au régime de ralenti. Rester prudent à proximité des matériaux et des vapeurs inflammables.
- Ne pas toucher la zone du couvercle d'admission. Garder les bijoux et les vêtements susceptibles de se prendre dans les pièces mobiles à l'écart de la zone d'admission.
- Toujours s'assurer d'avoir un bon appui et utiliser le produit seulement sur des surfaces sûres et planes. Les surfaces glissantes ou instables, telles que les échelles, peuvent entraîner une perte d'équilibre ou de contrôle.
- Ne pas utiliser le produit dans une zone en hauteur, telle qu'une toiture.

- Fixer le produit au cours du transport.
- Utiliser le produit seulement à des heures recommandées. Respecter les règlements locaux. Les plages horaires recommandées sont généralement comprises entre 9 h et 17 h, de lundi à samedi.
- Faire fonctionner le produit au régime le plus bas possible pour accomplir la tâche.
- Vérifier qu'il n'y a pas de risque de chute lors de l'utilisation du produit. Ne pas incliner le produit lors de son utilisation.
- S'assurer que le produit est en bon état avant de l'utiliser, spécialement le silencieux, l'admission d'air et le filtre à air.
- Utiliser un râteau ou un balai pour décoller les débris du sol avant d'utiliser le produit.
- Si la zone de travail est sale, aspirer les débris au moyen d'un tuyau.
- Utiliser le produit comme alternative à un tuyau afin d'économiser l'eau.
- Souffler les débris en toute sécurité. Faire attention aux enfants, aux animaux, aux fenêtres ouvertes ou aux véhicules.
- Ne pas diriger le produit sur les plantes qui se détériorent facilement.
- Ne pas souffler de l'air dans le sens d'objets tels que les murs, les grosses pierres, les véhicules et les clôtures.
- Si on travaille dans les coins intérieurs, souffler en partant des coins vers le centre de la zone de travail. Si ce n'est pas le cas, les débris peuvent heurter votre visage et provoquer des blessures aux yeux.
- Utiliser toute l'extension de la buse pour maintenir le flux d'air près du sol.
- Il est nécessaire que les personnes à proximité portent des lunettes de protection.
- Se débarrasser des débris dans la poubelle après l'utilisation du produit.

Consignes de sécurité pour l'utilisation de l'aspirateur

- Éviter d'endommager le ventilateur. Ne pas aspirer d'objets gros et solides, tels que le bois, les boîtes à conserve, les paillets de caoutchouc ou les longs morceaux de ficelle.
- Ne pas laisser le tube d'aspiration heurter le sol.
- Arrêter le moteur et débrancher le capuchon de la bougie d'allumage avant de dégager un blocage ou une obstruction.

Équipement de protection personnelle

- Toujours utiliser un équipement de protection personnelle lors de l'utilisation du produit. L'équipement de protection personnelle ne supprime pas le risque de blessures. L'équipement de protection personnelle réduit la gravité des blessures en cas d'accident.

- Toujours utiliser un dispositif de protection homologué pour les yeux lorsqu'on utilise le produit.
- Ne pas utiliser le produit avec les pieds nus ou des chaussures ouvertes. Utiliser toujours des bottes antidérapantes robustes.
- Porter un pantalon long et robuste.
- Au besoin, utiliser des gants de protection homologués.
- Utiliser un casque s'il est possible que des objets tombent sur la tête.
- Toujours utiliser un dispositif de protection homologué pour les oreilles lorsqu'on utilise le produit. Le fait d'entendre du bruit pendant une longue période peut engendrer une perte auditive.
- Toujours utiliser un masque antipoussière lorsque vous faites fonctionner le produit dans un environnement poussiéreux.
- Vérifier qu'on dispose d'une trousse de premiers soins à proximité.
- Ne pas toucher le moteur ou le silencieux alors que le moteur est sous tension. Ne pas toucher le moteur ou le silencieux pendant un moment après l'arrêt du moteur. Les surfaces chaudes peuvent causer des blessures.
- Un silencieux chaud peut causer un incendie. Rester prudent lorsqu'on utilise le produit à proximité de liquides ou de vapeurs inflammables.
- Ne pas toucher les pièces du silencieux si celui-ci est endommagé. Les pièces peuvent contenir des produits chimiques cancérigènes.
- Certains modèles de souffleurs sont dotés d'un écran pare-étincelles. Nettoyer l'écran et le remplacer à des intervalles spécifiés. Voir la section relative à l'entretien (*Entretien à la page 34*), (Fig. 12)

Sécurité – carburant

Dispositifs de protection sur le produit

- Faire régulièrement l'entretien sur le produit.
 - Cette précaution augmente la durée de vie utile du produit.
 - Cette précaution réduit le risque d'accident.

Communiquer régulièrement avec un concessionnaire agréé ou à un centre de service après-vente agréé d'examiner le produit pour effectuer les réglages et les réparations.

- Ne pas utiliser un produit avec un équipement de protection endommagé. Si le produit est endommagé, communiquer avec un centre de service après-vente agréé.

Interrupteur d'arrêt

Démarrer le moteur. Vérifier que le moteur s'arrête lorsque l'interrupteur est déplacé à la position d'arrêt. (Fig. 11)

Silencieux



AVERTISSEMENT : Ne pas toucher le silencieux s'il est chaud. Le silencieux est très chaud lorsque le moteur tourne et lorsqu'il s'arrête. Si on touche le silencieux, on risque de se brûler.

- Ne pas utiliser un moteur dont le silencieux est endommagé. Un silencieux endommagé augmente le niveau sonore et le risque d'incendie. Garder un extincteur à proximité.
- S'assurer régulièrement que le silencieux est fixé sur le produit.
- Ne pas démarrer l'outil s'il y a du carburant ou de l'huile moteur sur l'outil. Nettoyer le carburant ou l'huile et laisser sécher l'outil. Nettoyer tout carburant qui souille l'outil.
- Si du carburant se déverse sur les vêtements, changer immédiatement de vêtement.
- Ne pas déverser du carburant sur le corps; cela pourrait causer des blessures. Si du carburant se déverse sur le corps, se nettoyer au savon doux et à l'eau.
- Ne pas démarrer le moteur si de l'huile ou du carburant se renverse sur l'outil ou sur le corps.
- Ne pas démarrer l'outil si le moteur présente une fuite. Vérifier régulièrement le moteur à la recherche de fuites.
- Faire preuve de prudence lors de la manipulation du carburant. Celui-ci est inflammable et ses vapeurs sont explosives et peuvent causer des blessures ou la mort.
- Faire preuve de prudence lors de la manipulation du carburant. Celui-ci est inflammable et ses vapeurs sont explosives et peuvent causer des blessures ou la mort.
- Ne pas respirer les vapeurs de carburant, car elles peuvent causer des blessures. Vérifier que la ventilation est suffisante.
- Ne pas fumer à proximité du carburant ou du moteur.
- Ne pas placer des objets chauds à proximité du carburant ou du moteur.
- Ne pas faire le plein de carburant lorsque le moteur tourne.
- Vérifier que le moteur est froid avant de faire le plein.
- Avant de faire le plein, ouvrir lentement le couvercle du réservoir de carburant et relâcher la pression avec précaution.
- Ne pas faire le plein dans une pièce fermée. Un débit d'air insuffisant peut entraîner des blessures ou la mort en raison d'une asphyxie ou du monoxyde de carbone.
- Serrer le couvercle du réservoir de carburant avec précaution, car un feu pourrait se déclencher.

- Avant de démarrer l'outil, le déplacer à au moins 3 m (10 pi) de la position où le plein de carburant a été fait.
 - Ne pas mettre trop de carburant dans le réservoir de carburant.
 - Vérifier qu'une fuite ne peut se produire lorsqu'on déplace l'outil ou le bidon d'essence.
 - Ne pas placer l'outil ou un bidon d'essence dans un espace où il y a une flamme nue, des étincelles ou une veilleuse. Vérifier que la zone de stockage ne contient pas de flamme nue.
 - Utiliser seulement des conteneurs agréés pour transporter ou stocker le carburant.
 - Vider le réservoir de carburant avant de le remettre pour une période prolongée. Toujours respecter la législation locale sur la façon de mettre le carburant au rebut.
 - Nettoyer l'outil avant de le remettre pour une période prolongée.
- Débrancher le câble d'allumage avant de remettre l'outil, afin de s'assurer que le moteur ne démarre pas par inadvertance.

Consignes de sécurité pour la maintenance



AVERTISSEMENT : Un entretien incorrect peut endommager profondément le moteur ou provoquer des blessures graves.

Le propriétaire a la responsabilité de respecter l'entretien obligatoire défini dans le manuel de l'utilisateur. Débrancher la bougie d'allumage avant de procéder à l'entretien. Ne pas débrancher la bougie d'allumage avant les réglages du carburateur.

Montage



AVERTISSEMENT : Lire le chapitre sur la sécurité avant d'installer le produit.

Pour installer le tube et la buse du souffleur sur le produit

Remarque : Desserrer suffisamment le boulon pour placer le tube du souffleur sur la sortie du souffleur. Tourner le boulon dans le sens antihoraire à l'aide d'un tournevis pour le desserrer.

1. Aligner la nervure sur le tube supérieur du souffleur avec la rainure sur la sortie du souffleur. Déplacer le tube en position.
2. Tourner le boulon dans le sens horaire à l'aide d'un tournevis pour fixer le tube.

Remarque : N'utiliser aucun outil sur l'écrou.

3. Aligner les fentes du tube inférieur du souffleur avec les languettes du tube supérieur du souffleur. Déplacer le tube inférieur du souffleur sur le tube supérieur du souffleur.
4. Tourner le tube inférieur du souffleur dans le sens horaire jusqu'à ce qu'un clic soit entendu.

Pour installer le tube et la buse du souffleur

Remarque : S'assurer d'installer le boulon et l'écrou de fixation du tube avant d'utiliser le produit.

1. Desserrer le boulon de fixation du tube.

2. Aligner la fente de la sortie d'air du souffleur avec la nervure située sur le tube.
3. Enfoncer le tube jusqu'à ce que les trous du tube s'alignent avec ceux du boîtier.
4. Serrer le boulon de fixation du tube.
5. Tourner la buse vers la droite jusqu'à ce que vous sentiez un clic.

Pour installer le sac de ramassage avec différents tubes d'aspiration



AVERTISSEMENT : Couper le moteur avant de fixer les tubes sur le produit.

Pour monter le sac de ramassage

1. Ouvrir le sac de ramassage.
2. Insérez le tube du sac de ramassage depuis l'intérieur du sac pour l'adapter à l'ouverture de l'entrée d'aspiration.
3. S'assurer que l'élastique se loge dans la rainure (A).
4. Fermer la fermeture à glissière du sac. (Fig. 13)

Pour installer le tube du sac de ramassage

1. Retirer le tube du souffleur le cas échéant.
2. Aligner la nervure sur le tube du sac de ramassage (A) avec la nervure sur la sortie d'air du souffleur (B).
3. Appuyer le tube du sac de ramassage complètement sur la sortie d'air du souffleur.
4. Insérer l'écrou (C) dans son ouverture.
5. Poser la vis (D) et la serrer à l'aide d'un tournevis pour fixer le tube. (Fig. 14)

Pour joindre les tubes d'aspiration

1. Aligner la flèche du tube d'aspiration inférieur (A) avec la flèche sur le tube d'aspiration supérieur (B).
2. Enfoncer le tube d'aspiration supérieur complètement dans le tube d'aspiration inférieur.
3. Utiliser un tournevis pour installer la vis autotaraudeuse (C) qui maintient les tubes ensemble. (Fig. 15)

Pour installer les tubes d'aspiration

1. Insérer la pointe d'un tournevis dans le loquet de l'entrée d'air de l'aspirateur.
2. Utiliser le tournevis pour libérer le loquet. (Fig. 16)
3. Maintenir le capot d'entrée d'air de l'aspirateur ouvert jusqu'à ce que le tube supérieur d'aspiration soit en place.

4. Aligner les nervures à l'intérieur de l'arrivée d'air de l'aspirateur avec les fentes du tube supérieur d'aspiration. S'assurer que le symbole de verrouillage du tube est aligné sur le symbole de déverrouillage de l'entrée d'aspiration. (Fig. 17)
5. Enfoncer le tube d'aspiration supérieur complètement dans l'entrée d'air d'aspiration.
6. Tourner le tube d'aspiration supérieur dans le sens des aiguilles d'une montre jusqu'à ce que le symbole de verrouillage soit aligné avec le symbole de verrouillage de l'entrée d'aspiration. Le tube émet un clic lorsqu'il est correctement fixé. (Fig. 18)

Fonctionnement



AVERTISSEMENT : Lire et comprendre le chapitre sur la sécurité avant d'utiliser l'outil.

Carburant

Utilisation du carburant



MISE EN GARDE : Cet outil est équipé d'un moteur deux-temps. Utiliser un mélange d'essence et d'huile à moteur deux-temps. Prendre soin de verser la bonne quantité d'huile dans le mélange. Un mauvais rapport essence/huile peut endommager le moteur.

Essence



MISE EN GARDE : Ne pas utiliser d'essence avec un indice d'octane inférieur à 90 RON (87 AKI). Cela pourrait endommager le produit.



MISE EN GARDE : Ne pas utiliser d'essence avec une concentration d'éthanol supérieure à 10 % (E10). Cela pourrait endommager l'outil.



MISE EN GARDE : Ne pas utiliser d'essence au plomb. Cela pourrait endommager l'outil.

- Toujours utiliser de l'essence neuve sans plomb d'indice d'octane minimal de 90 RON (87 AKI)

et avec une concentration en éthanol inférieure à 10 % (E10).

- Utiliser de l'essence avec un taux d'octane supérieur pour utiliser fréquemment le produit à régime moteur élevé en permanence.
- Toujours utiliser un mélange essence sans plomb-huile de bonne qualité.

Huile pour moteur deux-temps

- Utiliser seulement une huile pour moteur deux-temps de qualité très élevée. N'utiliser qu'une huile moteur refroidie à l'air.
- Ne pas utiliser d'autres types d'huile.
- Taux du mélange 50:1 (2 %)

Essence	Huile
1 gal US	77 ml (2,6 oz)
1 gal UK	95 ml (3,2 oz)
5 l	100 ml (3,4 oz)

Mélange de carburant

Remarque : Utiliser toujours un récipient de carburant propre pour mélanger le carburant.

Remarque : Ne pas effectuer une quantité de mélange de carburant pour plus de 30 jours.

1. Ajouter la moitié de la quantité d'essence.
2. Ajouter la quantité totale d'huile.
3. Agiter le mélange de carburant pour mélanger le contenu.
4. Ajouter l'essence restante.

5. Agiter le mélange de carburant pour mélanger le contenu.
6. Remplir le réservoir de carburant.

Ajout de carburant

- Toujours utiliser un bidon d'essence comportant un robinet antidéversement.
- S'il y a un peu de carburant sur ou dans le récipient, nettoyer le carburant et laisser le récipient au sec.
- Vérifier que le couvercle du réservoir de carburant est propre.
- Agiter le récipient à carburant avant d'ajouter le mélange de carburant dans le réservoir de carburant.

Démarrage et arrêt

Avant de démarrer le moteur

- Vérifier le produit pour détecter les pièces manquantes, endommagées, desserrées ou usées.
- Examiner le sac de ramassage. S'assurer que le sac de ramassage est en bon état et que la fermeture à glissière est fermée.
- Vérifier les écrous, les vis et les boulons.
- Vérifier le filtre à air.
- Vérifier la gâchette de l'accélérateur pour un fonctionnement correct.
- Vérifier l'interrupteur d'arrêt pour un fonctionnement correct.
- Vérifier le produit pour détecter les fuites de carburant.

Démarrage d'un moteur froid



AVERTISSEMENT : Ne pas enrouler le câble du lanceur autour du bras.



MISE EN GARDE : Ne pas tenir le produit avec votre pied.



MISE EN GARDE : Ne pas tirer le câble du lanceur jusqu'à la position de fin de course. Ne pas lâcher la poignée du câble du lanceur lorsque le câble du lanceur est déployé. Ceci peut endommager le produit.

Remarque : Si le moteur s'arrête, déplacer le levier d'étrangleur en position fermée et reprendre les opérations de démarrage.

1. Remplir le réservoir de carburant avec un mélange de carburant propre.

2. Appuyer sur 10 fois sur la poire d'amorçage. (Fig. 19)
3. Déplacer le starter du moteur à la position ÉTRANGLEUR FERMÉ (position de démarrage). (Fig. 20)
4. Pousser le régulateur de vitesse variable complètement dans le sens antihoraire. (Fig. 21)
5. Utiliser la main gauche pour maintenir la machine au sol.
6. Tirer sur la poignée du câble du lanceur jusqu'à ce que le moteur tente de démarrer. Ne pas tirer plus de 3 fois
7. Placer la commande d'étrangleur à la position 1/2 et tirer la poignée du câble du lanceur jusqu'à ce que le moteur démarre et tourne. (Fig. 22)
8. Faire tourner le moteur pendant 10 secondes environ.
9. Maintenir la gâchette de l'accélérateur complètement enfoncée pendant toutes les étapes restantes.
10. Déplacer la commande d'étrangleur en position ÉTRANGLEUR OUVERT (position de marche). (Fig. 23)
11. Faire chauffer le moteur pendant 1 minute.

Démarrage d'un moteur chaud

1. Appuyer sur la gâchette de l'accélérateur et la maintenir enfoncée
2. Déplacer la commande d'étrangleur à la position 1/2.
3. Tirer rapidement sur la poignée du câble du lanceur tandis que vous tirez la gâchette de l'accélérateur jusqu'à ce que le moteur démarre.
4. Déplacer la commande d'étrangleur en position ÉTRANGLEUR OUVERT (position de marche).

Pour couper le moteur

- Appuyer brièvement sur l'interrupteur d'ARRÊT du moteur. L'interrupteur revient automatiquement à la position ON (marche). Attendre 7 secondes avant d'essayer de redémarrer le produit pour s'assurer que l'interrupteur se réinitialise.

Pour utiliser une buse

- Utiliser la buse standard lorsqu'une précision et un flux d'air élevé sont nécessaires. (Fig. 24)
- Utiliser la buse haute vitesse lorsqu'un flux d'air plus grand et une vitesse de l'air plus élevée sont nécessaires. (Fig. 25)

Pour régler la buse du souffleur

1. Tourner la buse vers la gauche pour désengager la monture à baïonnette.
2. Déplacer la buse à la position d'application.

3. Tourner la buse vers la droite jusqu'à ce que vous sentiez un clic.

Pour utiliser l'aspirateur

Avant d'utiliser l'aspirateur, installer les équipements de sécurité appropriés.



AVERTISSEMENT : S'assurer que le sac de ramassage est en bon état et que la fermeture à glissière est fermée avant d'utiliser le produit. Ne pas utiliser un sac endommagé. Ceci permet d'éviter les blessures causées par la projection de débris. Une utilisation par un gaucher augmente le risque. Ne pas toucher la zone de sortie d'échappement.



AVERTISSEMENT : Ne pas démarrer le souffleur si le couvercle d'admission est ouvert ou endommagé (sauf si le tube d'aspiration est installé).

- Pendant l'utilisation du souffleur, tenir le sac de ramassage au moyen de la courroie d'épaule. Porter la courroie sur la partie supérieure de l'épaule.

- Démarrer le souffleur. Respecter les consignes de la section de démarrage et d'arrêt *Pour couper le moteur à la page 33*. Lire les consignes de sécurité *Consignes de sécurité pour l'utilisation du souffleur à la page 29*.

Pour vider le sac de ramassage



AVERTISSEMENT : Examiner toujours le sac de ramassage. S'assurer qu'il est en bon état et que la fermeture à glissière est fermée avant d'utiliser le produit. Ne pas utiliser un sac endommagé. Il y a un risque de blessure en raison de la projection de débris. Rester prudent en cas d'utilisation par un gaucher. Ne pas toucher la zone de sortie d'admission.

1. Arrêter le produit.
2. Ouvrir la fermeture à glissière sur le côté.
3. Vider le sac de ramassage.
4. Fermer la fermeture à glissière.

Entretien



AVERTISSEMENT : Lire et comprendre le chapitre sur la sécurité avant de le nettoyer l'outil, le réparer ou en effectuer l'entretien.

- S'assurer que les carters sont exempts de fissures.
- S'assurer que le sac de ramassage est en bon état et que la fermeture à glissière fonctionne. Remplacer le sac au besoin.

Calendrier de maintenance

S'assurer de respecter le calendrier d'entretien. La fréquence est calculée sur la base d'une utilisation quotidienne. Les périodicités sont différentes si l'outil n'est pas utilisé chaque jour. N'effectuer que les travaux d'entretien décrits dans ce manuel. Communiquer avec un centre de service après-vente agréé pour effectuer les travaux d'entretien qui ne figurent pas dans ce manuel.

Entretien quotidien

- Nettoyer les surfaces externes.
- Examiner le fonctionnement du régulateur de vitesse et de la gâchette de l'accélérateur. Remplacer les pièces endommagées.
- Vérifier l'interrupteur d'arrêt. Le remplacer au besoin.
- Vérifier le régime de ralenti.
- Nettoyer le filtre à air. Le remplacer au besoin.
- S'assurer que le couvercle d'admission peut être verrouillé en position fermée. Vérifier que les ailettes sont propres.
- Serrer tous les écrous et toutes les vis.

Entretien hebdomadaire

- Examiner l'état du lanceur, du câble du lanceur et du ressort de tension. Remplacer toutes pièces endommagées
- Examiner l'état de l'admission d'air au niveau du lanceur. Enlever les débris si l'admission d'air est obstruée.
- Nettoyer la face externe de la bougie d'allumage. L'enlever et examiner l'écartement des électrodes. Régler la distance à 0,6 mm (0,024 po) ou remplacer la bougie d'allumage.
- Nettoyer les aubes de roue à ailettes.
- Nettoyer l'écran pare-étincelles et le remplacer au besoin (pas sur les silencieux avec pot catalytique).
- Nettoyer la zone du carburateur.
- Nettoyer le filtre à air.

Entretien mensuel

- Vérifier la poignée du câble du lanceur et le câble du lanceur.
- Nettoyer le réservoir de carburant.
- Nettoyer le carburateur et la zone autour de celui-ci.

- Nettoyer les aubes de roue à ailettes.
- Examiner les conduites de carburant pour s'assurer qu'elles ne présentent pas de fissures ou d'autres dommages. Les remplacer au besoin
- Remplacer le filtre à carburant dans le réservoir de carburant.
- Vérifier tous les câbles et toutes les connexions.
- Remplacer la bougie d'allumage.
- Remplacer le filtre à air.

Maintenance annuelle

- Vérifier la bougie d'allumage.
- Nettoyer la surface externe du carburateur et ses zones adjacentes.
- Nettoyer le système de refroidissement.
- Vérifier l'écran pare-étincelles.
- Vérifier le filtre à carburant.
- Vérifier le tuyau de carburant pour détecter d'éventuels dommages.
- Vérifier tous les câbles et toutes les connexions.

Entretien à 50 heures d'utilisation

- Communiquer avec un centre de service après-vente agréé pour réparer ou remplacer le silencieux.

Réglage de régime de ralenti

- Vérifier que le filtre à air est propre et le couvercle de filtre à air fixé avant de régler le régime de ralenti.
 - Régler le régime de ralenti à l'aide de la vis de réglage de ralenti en T, identifiée par le repère « T ». (Fig. 26)
 - Le régime de ralenti est adéquat lorsque le moteur fonctionne sans à-coups dans toutes les positions.
1. Tourner la vis de réglage de ralenti dans le sens horaire pour augmenter la vitesse.
 2. Tourner la vis de réglage de ralenti dans le sens antihoraire pour réduire la vitesse.

Entretien de l'écran pare-étincelles

Utiliser une brosse métallique pour nettoyer l'écran pare-étincelles.

Nettoyage du système de refroidissement

Nettoyer les pièces du circuit de refroidissement au moyen d'une brosse. (Fig. 27)

Vérification de la bougie d'allumage



MISE EN GARDE : Toujours utiliser une bougie d'allumage du type recommandé. Une bougie d'allumage de type inapproprié peut endommager le produit.

- Examiner la bougie d'allumage si le moteur manque de puissance, démarre difficilement ou ne fonctionne pas correctement au régime de ralenti.
- Afin de réduire le risque de matériau indésirable sur les électrodes de la bougie, respecter les consignes suivantes :
 - a) Vérifier que le régime de ralenti est réglé de façon adéquate.
 - b) Vérifier que le mélange de carburant est correct.
 - c) Vérifier que le filtre à air est propre.
- Si la bougie d'allumage est sale, la nettoyer et s'assurer que l'écartement des électrodes est correct. Voir *Caractéristiques techniques à la page 35*. (Fig. 28)
- Remplacer la bougie d'allumage au besoin.

Entretien du filtre à air

Nettoyage du filtre à air

1. Retirer le couvercle du filtre à air et retirer le filtre à air. (Fig. 29)
2. Nettoyer le filtre à air à l'aide d'une eau savonneuse chaude. Vérifier que le filtre à air est sec avant de l'installer.
3. Remplacer le filtre à air s'il est trop sale pour le nettoyer entièrement. Toujours remplacer les filtres à air endommagés.
4. Si votre produit est équipé d'un filtre à air en mousse, appliquer de l'huile pour filtre à air. Appliquer seulement de l'huile pour filtre sur un filtre en mousse. Ne pas appliquer de l'huile sur un filtre en feutre.

Caractéristiques techniques

	unité	125B	125BVX
		(125B28HV)	(125B28HV)

Spécifications du moteur			
Cylindrée	cm ³	28	28
Écartement des électrodes	mm	0,6	0,6
Capacité du réservoir de carburant	cm ³	500	500
Régime de ralenti	min ⁻¹	Entre 2 800 et 3 200	Entre 2 800 et 3 200
Vitesse maximum	min ⁻¹	8000	8000
Puissance de sortie	kW	0,8	0,8
Bougie d'allumage		Champion RCJ-6Y	Champion RCJ-6Y
Mode soufflage à vitesse maximale	min ⁻¹	8600	8600
Mode aspiration à vitesse maximale	min ⁻¹	--	7500
Durabilité des émissions	h	125	125
Bruit et données de vibrations			
Niveau de vibration équivalent au niveau des poignées avec tubes du souffleur et buse (d'origine) – voir Remarque 1	m/s ²	11,03	11,03
Niveau de vibration équivalent au niveau des poignées avec tubes d'aspiration (d'origine), gauche/droite – voir Remarque 1	m/s ²	--/--	12,16/12,29
Niveau de pression sonore équivalent à l'oreille de l'utilisateur mesuré selon la norme ISO 22868 avec tubes du souffleur et buse (d'origine) – voir Remarque 3	dB(A)	93	96
Pression acoustique à l'oreille d'une personne à proximité mesurée selon la norme ANSI B175.2, avec tube de souffleur et buse (d'origine)	dB(A)	71	71
Puissance sonore mesurée – voir remarque 2	dB(A)	106	106
Puissance sonore garantie (L _{WA}) – voir remarque 2	dB(A)	110	110
Dimensions du produit			
Poids (sans carburant, mais avec tube du souffleur et buse standard installés)	kg	4,3	4,4
<p>Remarque 1 : Les données signalées pour le niveau de vibration équivalent présentent une dispersion statistique type (écart standard) de 1 m/s².</p> <p>Remarque 2 : Émission du bruit dans l'environnement mesurée en tant que puissance acoustique (L_{WA}) conforme à la directive européenne 2000/14/EC. La puissance sonore reportée pour la machine a été mesurée avec l'outil d'origine qui fournit le niveau le plus élevé. La puissance sonore garantie diffère du niveau mesuré en cela qu'elle prend également en compte la dispersion et les variations entre plusieurs machines du même modèle, conformément à la directive 2000/14/CE.</p> <p>Remarque 3 : Les données se rapportant à la pression sonore équivalente de la machine présentent une dispersion statistique type (écart standard) de 1 dB (A).</p>			

Ventilateur	Unit	125B	125BVX
-------------	------	------	--------

Type		Ventilateur radial	Ventilateur radial
Vitesse maximale de l'air, buse standard	km/h	217	217
Vitesse maximale de l'air, buse haute vitesse*	km/h	273	273
Mode soufflage volume d'air	pi ³ /min	425	425
Mode aspiration volume d'air	pi ³ /min	--	445
*accessoire en option pour certains modèles			

Accessoires

125B, , 125BVX	
Accessoires homologués	Type
Trousse de nettoyage des gouttières	952 711 918
,	
Accessoires homologués	Type
Trousse d'aspiration	952 711 913
125B	
Accessoires homologués	Type
Buse haute vitesse	545 119 501



Husqvarna®

www.husqvarna.com

Original instructions
Instrucciones originales
Instructions d'origine

1141728-49 Rev. 5



2023-09-07