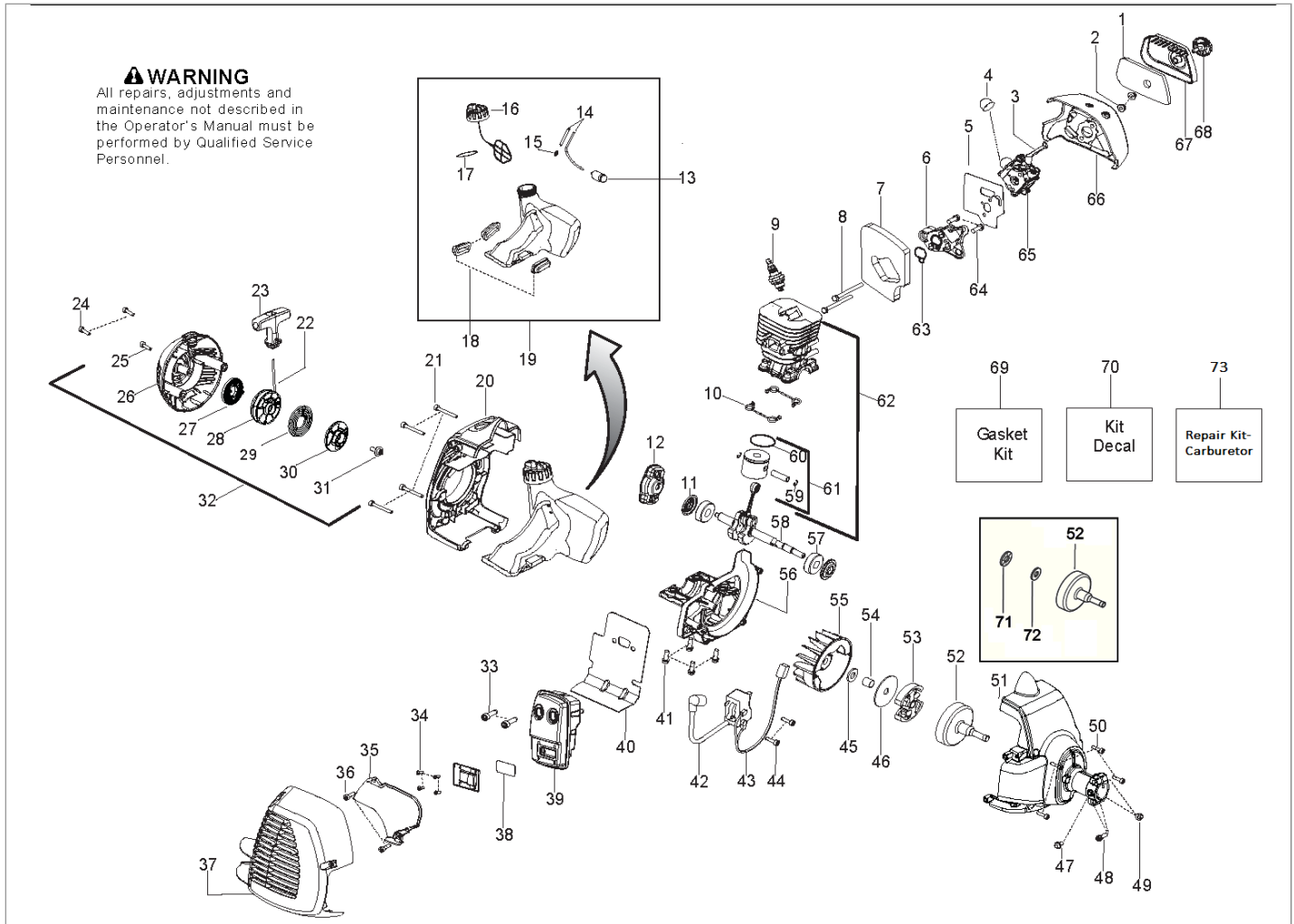


Product Catalog: /128LD

ENGINE



| Ref. | Article N. | Description | Qty | Kit |
|------|------------|---|-----|-----|
| 1 | 530150253 | AIR FILTER | 1 | - |
| 2 | 530016101 | NUT | 1 | - |
| 3 | 530057844 | LEVER <i>Fits Zama Carburetor, 4.3mm Shaft Hole</i> | 1 | - |
| 3 | 595015001 | CHOKE LEVER <i>Fits Ruixing Carburetor, 5mm shaft Hole</i> | 1 | - |
| 4 | 530058709 | BULB | 1 | - |
| 5 | 545008084 | GASKET KIT | 1 | - |
| 6 | 530035596 | ADAPTER | 1 | - |
| 7 | 545008084 | GASKET KIT | 1 | - |
| 8 | 530016400 | BOLT | 1 | - |
| 9 | 952030201 | SPARK PLUG | 1 | - |
| 10 | 545008084 | GASKET KIT | 1 | - |

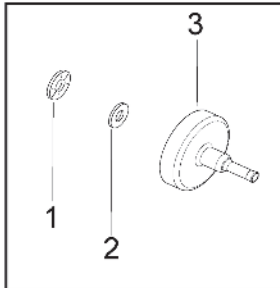
| Ref. | Article N. | Description | Qty | Kit |
|------|------------|--|-----|-----|
| 11 | 545008084 | GASKET KIT | 1 | - |
| 12 | 503873305 | STARTER PAWL | 1 | - |
| 13 | 577167201 | FUEL FILTER | 1 | - |
| 14 | 530069599 | HOSE | 1 | - |
| 15 | 530023877 | NIPPLE | 1 | - |
| 16 | 530150350 | TANK | 1 | - |
| 17 | 545008084 | GASKET KIT | 1 | - |
| 18 | 530059780 | INSULATOR | 1 | - |
| 19 | 545180870 | KIT-FUEL TANK ASSY. | 1 | - |
| 20 | 576153201 | SHROUD | 1 | - |
| 21 | 530016448 | SCREW | 1 | - |
| 22 | 545008079 | KIT-ROPE | 1 | - |
| 23 | 545043204 | STARTER HANDLE | 1 | - |
| 24 | 530016426 | SCREW | 1 | - |
| 25 | 530016449 | SCREW | 1 | - |
| 26 | 525455501 | HOUSING | 1 | - |
| 27 | 545008087 | SPRING | 1 | - |
| 28 | 585530301 | STARTER PULLEY | 1 | - |
| 29 | 578465101 | SPRING | 1 | - |
| 30 | 579366201 | PULLEY | 1 | - |
| 31 | 530016468 | SCREW | 1 | - |
| 32 | 579063101 | STARTER HOUSING | 1 | - |
| 33 | 530058982 | BOLT | 1 | - |
| 34 | 530015241 | SCREW | 1 | - |
| 35 | 530150440 | PROTECTION | 1 | - |
| 36 | 530016449 | SCREW | 1 | - |
| 37 | 576215001 | KIT | 1 | - |
| 38 | 545030501 | SCREEN | 1 | - |
| 39 | 574031502 | KIT <i>MUFFLER ID CODE 044801007C</i> | 1 | - |
| 40 | 545008084 | GASKET KIT | 1 | - |
| 41 | 530015897 | SCREW | 1 | - |
| 42 | 545046701 | IGNITION MODULE | 1 | - |
| 43 | 530039227 | SHORTING LEAD | 1 | - |
| 44 | 530016456 | SCREW | 1 | - |
| 45 | 530016463 | WASHER | 1 | - |
| 46 | 530094189 | WASHER | 1 | - |
| 47 | 530015805 | SCREW | 1 | - |
| 48 | 530015774 | SCREW | 1 | - |
| 49 | 530015768 | NUT | 1 | - |
| 50 | 530016456 | SCREW | 1 | - |
| 51 | 545205201 | FAN HOUSING | 1 | - |

| Ref. | Article N. | Description | Qty | Kit |
|------|------------|---|-----|-----|
| 52 | 530150039 | CLUTCH DRUM <i>S/N = 2012-090N</i> | 1 | - |
| 52 | 580446601 | KIT <i>S/N = 2012-091N</i> | 1 | - |
| 53 | 530055122 | CLUTCH ASSY | 1 | - |
| 54 | 530057852 | RING | 1 | - |
| 55 | 530039242 | FLYWHEEL | 1 | - |
| 56 | 577929502 | CRANKCASE | 1 | - |
| 57 | 545013401 | BEARING | 1 | - |
| 58 | 585415402 | CRANKSHAFT <i>S/N = 2012-021N</i> | 1 | - |
| 58 | 585415401 | CRANKSHAFT <i>S/N = 2012-020N</i> | 1 | - |
| 59 | 530015162 | CIRCLIP | 1 | - |
| 60 | 575227901 | RING | 1 | - |
| 61 | 545081814 | PISTON | 1 | - |
| 62 | 545008083 | CYLINDER ASSY | 1 | - |
| 63 | 545008084 | GASKET KIT | 1 | - |
| 64 | 530015897 | SCREW | 1 | - |
| 65 | 545081848 | CARBURETTOR KIT | 1 | - |
| 66 | 576459001 | BASE | 1 | - |
| 67 | 530057846 | COVER | 1 | - |
| 68 | 530059796 | KNOB ASSY | 1 | - |
| 69 | 545008084 | GASKET KIT | 1 | - |
| 70 | 545003352 | KIT | 1 | - |
| 71 | 545173401 | BEARING <i>S/N = 2012-090N</i> | 1 | - |
| 72 | 530016420 | WASHER - THRUST <i>S/N = 2012-090N</i> | 1 | - |
| 73 | 504811801 | GASKET KIT <i>ZAMA CARBURETOR</i> | 1 | - |
| 73 | 599604201 | SERVICE KIT <i>RUIXING CARBURETOR</i> | 1 | - |

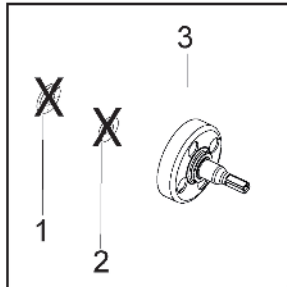
SERVICE REFERENCE

***** Service Reference *****

Note : Due to product improvements, your unit may have a different clutch drum assembly.
Please refer to the serial number on your unit and order the parts below.



Serial Number - 2012-090N and lower, please use the following parts:
 Ref.# 1 - 545173401 - Thrust Bearing
 Ref.# 2 - 530016420 - Thrust Washer
 Ref.# 3 - 530150039 - Assy. - Clutch Drum

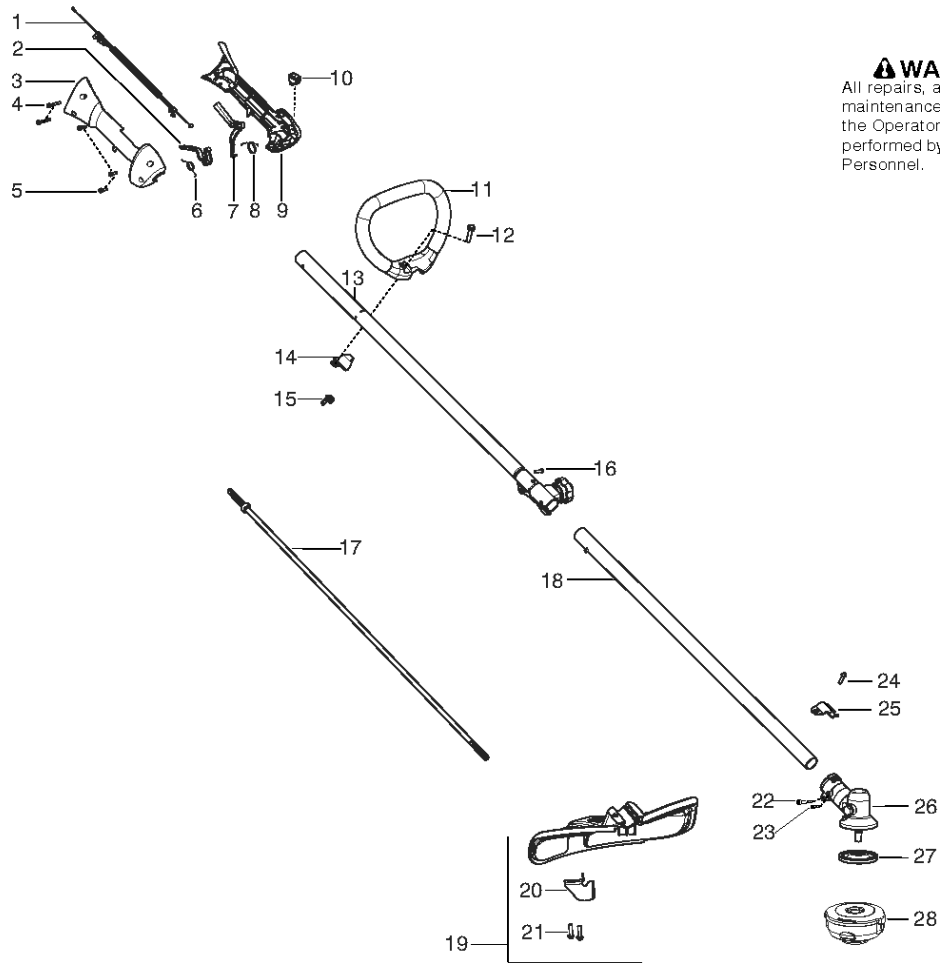


Serial Number - 2012-091N and higher, please use the following parts:
 Ref.# 1 - Thrust Bearing is NOT REQUIRED
 Ref.# 2 - Thrust Washer is NOT REQUIRED
 Ref.# 3 - 580446601 - Kit - Clutch Drum

| Ref. | Article N. | Description | Qty | Kit |
|------|------------|--|-----|-----|
| 1 | 545173401 | BEARING | 1 | - |
| 2 | 530016420 | WASHER - THRUST | 1 | - |
| 3 | 530150039 | CLUTCH DRUM <i>S/N 2012-090N AND LOWER</i> | 1 | - |
| 3 | 580446601 | KIT <i>CLUTCH DRUM - S/N 2012-091N AND HIGHER</i> | 1 | - |

SHAFT & HANDLE

For 2009 up to 2010



WARNING

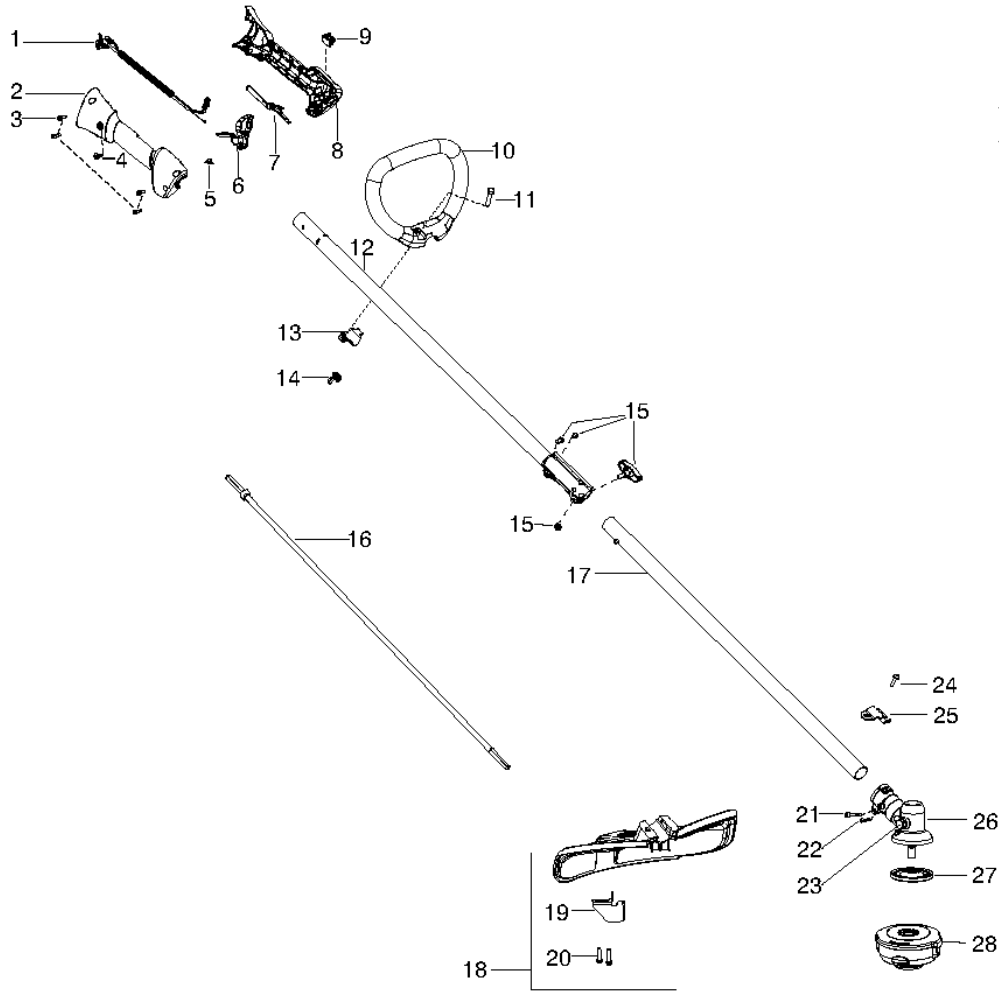
All repairs, adjustments and maintenance not described in the Operator's Manual must be performed by Qualified Service Personnel.

| Ref. | Article N. | Description | Qty | Kit |
|------|------------|---------------------------|-----|-----|
| 1 | 545125301 | WIRE | 1 | - |
| 2 | 545066001 | TRIGGER | 1 | - |
| 3 | 545062001 | HANDLE | 1 | - |
| 4 | 530016448 | SCREW | 1 | - |
| 5 | 530016449 | SCREW | 1 | - |
| 6 | 530016454 | RETURN SPRING | 1 | - |
| 7 | 530059804 | THROTTLE LOCK | 1 | - |
| 8 | 545045601 | RETURN SPRING | 1 | - |
| 9 | 545067001 | HANDLE | 1 | - |
| 10 | 545030601 | KIT | 1 | - |
| 11 | 545042201 | HANDLE | 1 | - |
| 12 | 530015820 | SCREW | 1 | - |
| 13 | 545003370 | KIT DRIVE SHAFT W/COUPLER | 1 | - |

| Ref. | Article N. | Description | Qty | Kit |
|-------------|-------------------|-------------------------|------------|------------|
| 14 | 530059185 | CLAMP | 1 | - |
| 15 | 530016152 | WING NUT | 1 | - |
| 16 | 530016344 | SCREW | 1 | - |
| 17 | 545132002 | SHAFT FLEXIBLE | 1 | - |
| 18 | 545180848 | KIT DRIVESHAFT LOWER LD | 1 | - |
| 19 | 545030901 | COMBINATION GUARD | 1 | - |
| 20 | 530052286 | LINE | 1 | - |
| 21 | 530015814 | SCREW | 1 | - |
| 22 | 530016014 | SCREW | 1 | - |
| 23 | 530016301 | SCREW | 1 | - |
| 24 | 530015771 | SCREW | 1 | - |
| 25 | 530057554 | BRACKET | 1 | - |
| 26 | 530096295 | BEVEL GEAR | 1 | - |
| 27 | 537234901 | DRIVER ASSY | 1 | - |
| 28 | 537338306 | TRIMMER HEAD | 1 | - |

SHAFT & HANDLE

From 2010



⚠ WARNING

All repairs, adjustments and maintenance not described in the Operator's Manual must be performed by Qualified Service Personnel.

| Ref. | Article N. | Description | Qty | Kit |
|------|------------|---|-----|-----|
| 1 | 576139401 | ASSEMBLY 2010-72N AND LOWER, SEE SERVICE REFERENCE | 1 | - |
| 2 | 545223001 | THROTTLE 2010-72N AND LOWER, SEE SERVICE REFERENCE | 1 | - |
| 3 | 530016449 | SCREW 2010-72N AND LOWER, SEE SERVICE REFERENCE | 1 | - |
| 4 | 530015805 | SCREW 2010-72N AND LOWER, SEE SERVICE REFERENCE | 1 | - |
| 5 | 530016454 | RETURN SPRING | 1 | - |
| 6 | 574355301 | TRIGGER 2010-72N AND LOWER, SEE SERVICE REFERENCE | 1 | - |
| 7 | 574355401 | THROTTLE 2010-72N AND LOWER, SEE SERVICE REFERENCE | 1 | - |
| 8 | 545223201 | HOUSING 2010-72N AND LOWER, SEE SERVICE REFERENCE | 1 | - |

| Ref. | Article N. | Description | Qty | Kit |
|------|------------|--|-----|-----|
| 9 | 545049309 | SWITCH MOMENTARY <i>2010-72N AND LOWER, SEE SERVICE REFERENCE</i> | 1 | - |
| 10 | 545042201 | HANDLE | 1 | - |
| 11 | 530015820 | SCREW | 1 | - |
| 12 | 575261201 | KIT <i>UPPER DRIVESHAFT</i> | 1 | - |
| 13 | 530059185 | CLAMP | 1 | - |
| 14 | 530016152 | WING NUT | 1 | - |
| 15 | 575291801 | KIT | 1 | - |
| 16 | 545132002 | SHAFT FLEXIBLE | 1 | - |
| 17 | 545180848 | KIT DRIVESHAFT LOWER LD <i>LOWER DRIVESHAFT</i> | 1 | - |
| 18 | 545030901 | COMBINATION GUARD | 1 | - |
| 19 | 530052286 | LINE | 1 | - |
| 20 | 530015814 | SCREW | 1 | - |
| 21 | 530016014 | SCREW | 1 | - |
| 22 | 530016301 | SCREW | 1 | - |
| 23 | 575724601 | PLUG | 1 | - |
| 24 | 530015771 | SCREW | 1 | - |
| 25 | 530057554 | BRACKET <i>SHIELD BRACKET</i> | 1 | - |
| 26 | 530096295 | BEVEL GEAR | 1 | - |
| 27 | 537234901 | DRIVER ASSY <i>For 952711953</i> | 1 | - |
| 28 | 537338306 | TRIMMER HEAD | 1 | - |