

Installation Instructions for LED Dimmer Switch

Works with 0-10V dimmable power supplies or lighting fixtures only.

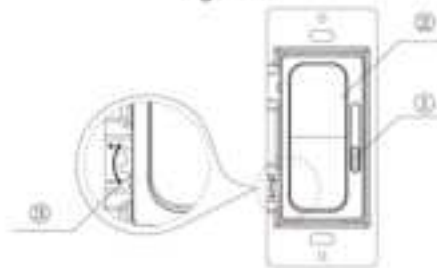


⚠ WARNINGS AND CAUTIONS

- To avoid the risk of fire, shock, products should be installed in accordance with electrical codes and regulations.
- The product shall be used together with an upstream air-gap switch.
- Turn power off at circuit breaker or fuse, test if power is off before installing.
- After installed the dimmer, it is recommended to set the minimum brightness level to make bulbs turn on immediately and the dimmer with maximum dimming range. See ① Figure 1.
- If you are unsure about any part of these instructions, consult a licensed electrician.
- To avoid the risk of overheating and possible damage to the equipment, do not install a receptacle, motor-operated appliance or a transformer-operated appliance.
- This product can only be used with 0-10V dimmable power supplies or lighting fixtures, with 0-10V Dimming function.
- When the dimmer is connected to multiple 0-10V dimmable power supplies or lighting fixtures, do not mix different models when you use it. Using the same model pls. Otherwise it will effect proper function.

Functional parts instructions

Figure 1



① Slide Control Lever ② Rocker Switch ③ Adjustment Button

Slide Control Lever ①

- Move slide control lever up to increase brightness, move down to decrease brightness.

Rocker Switch ②

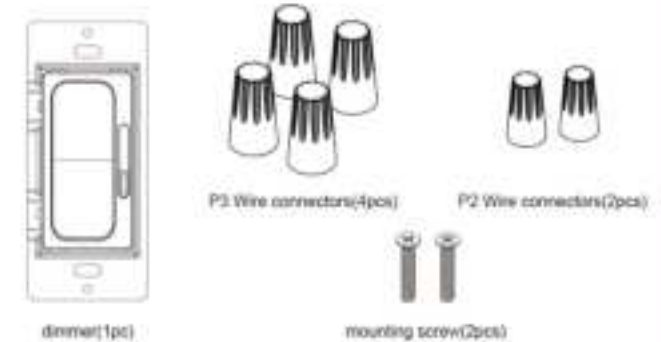
- Press the rocker switch of the dimmer, turn power on or off.

Adjustment Button ③

- Turn clockwise the adjustment button to increase brightness, turn counter-clockwise to decrease brightness.
- Adjustment button can adjust and set the minimum brightness level of the lamps. make lamps turn on and dimmer with maximum dimming range. Detail see step 7.

Model No.	Rated Voltage	Max.Load
DIMMER	120-277V,60Hz	600VA

Parts information



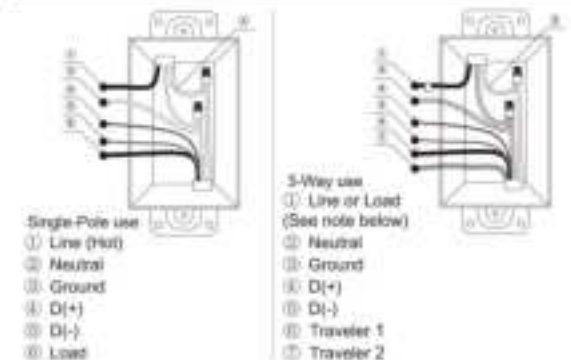
Tools needed to install your Dimmer

Φ3mm Slotted Screwdriver	Φ5mm Philips Screwdriver	Electrical Tape	Cutters
Pliers	Test Pencil	Ruler	

Installation and testing

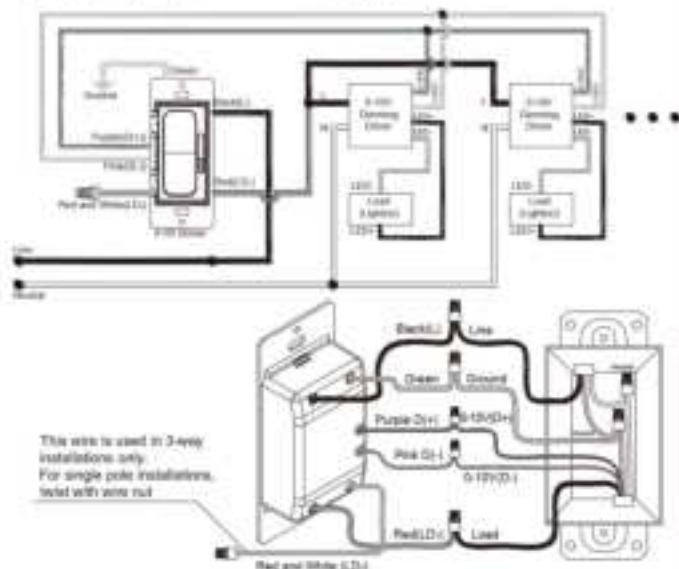
- Step 1** ⚠ **WARNING:** To avoid fire and electrical shock, TURN OFF POWER at circuit breaker or fuse and test that power is off before wiring.
- Step 2** Removing existing switch: Remove existing wall plate and switch mounting screws. Carefully pull switch from wall box, identify and take out the wires attached to the switch, then remove the switch. DO NOT remove wires which are taken out from the switch at this time. (If new installation, disregard this step.)
- Step 3** Identifying your wiring application below.

NOTE: If the wiring in the wall box does not resemble any of these configurations, consult an electrician.



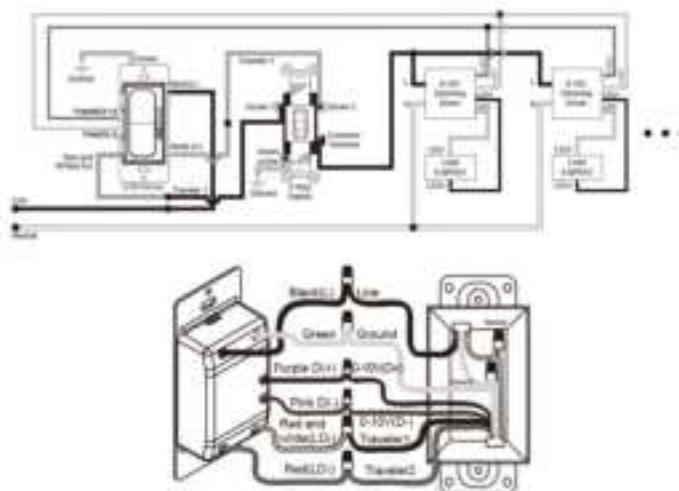
IMPORTANT: For 3-Way applications, note that one of the screw terminals from the old switch being removed will usually be a different color (Black) or labeled Common. Tag that wire with electrical tape and identify as the common (Line or Load) in both the dimmer wall J-box and 3-way wall J-box.

Step 4a Single-Pole Wiring Application:



- Connect the green dimmer wire to the green or bare copper ground wire in the wall-box, and twist them with P3 wire connectors.
- Connect the black dimmer wire to the hot input wire removed from the switch, and twist them with P3 wire connectors.
- Connect the red dimmer wire to the load wire removed from the switch, and twist them with P3 wire connectors.
- Connect the purple dimmer wire to 0-10V(D+) wire, and twist them with P2 wire connectors.
- Connect the pink dimmer wire to 0-10V(D-) wire, and twist them with P2 wire connectors.
- Use remaining P3 wire connectors to cap the remaining red and white wire on dimmer.

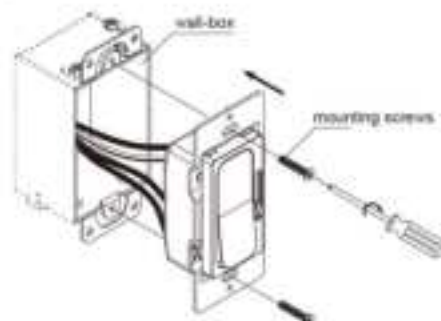
Step 4b 3-Way Wiring Application:



IMPORTANT: In a 3-way circuit, only one dimmer can be used.

- Connect the green dimmer wire to the green or bare copper ground wire in the wall-box, and twist them with P3 wire connectors.
- Connect the black dimmer wire to the hot input wire with tag removed from the switch, and twist them with P3 wire connectors.
- Connect the red dimmer wire, red and white dimmer wire to the remaining 3-way switch's two wires removed from the switch, and twist them with P3 wire connectors.
- Connect the purple dimmer wire to 0-10V(D+) wire, and twist them with P2 wire connectors.
- Connect the pink dimmer wire to 0-10V(D-) wire, and twist them with P2 wire connectors.

Step 5 Installing and fixing the dimmer



- Carefully position all wires inside the wall-box, leaving enough room to insert the dimmer housing. Put the dimmer inside the wall-box.
- Mount the dimmer securely inside the wall-box using the provided mounting screws.

Step 6 Turn power on

- Turn power on at circuit breaker or replace the fuse. Try out your new dimmer.
- If you're satisfied with dimming range and light output of your lamps, proceed to step 8.

NOTE: 0-10V dimming power supplies or lighting fixtures produced by different manufacturers have different dimming ranges. If your lamp do not dim to your satisfaction, especially the dimmer range and minimum brightness level, adjust the adjustment button of the dimmer after installed can get desired lighting result (The product is designed with an adjustment button) Detail see step 7 Figure 1 #3.

Step 7 Testing

1. Move slide control lever ① to 30-50% position, push rocker switch ② on to make lamps work. Move down slide control lever ① to lowest light level.
2. Turn counter-clockwise(“-”) the adjustment button ③ to lowest desired brightness level where light output for all bulbs is stable and does not flicker or flash.
3. Push rocker switch ② off and back on rocker switch ② after 1s. Verify that all lamps turn on and stable, do not flicker or flash.
4. If all or some lamps do not turn on or do not satisfy to your minimum brightness level, turn clockwise(“+”) the adjustment button ③ slightly to make all bulbs work and repeat step 2 and 3.
5. After the above setting is completed. It can make the lamps start at the minimum brightness level when turn on.

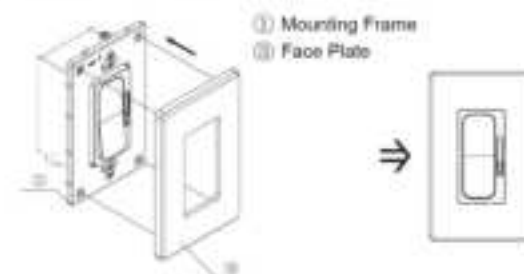
Step 8 Installing wall plate (See types below 8a,b)

Step 8a Separated plate

- Place the mounting frame ① over your installed dimmer and secure it using provided screws ②.

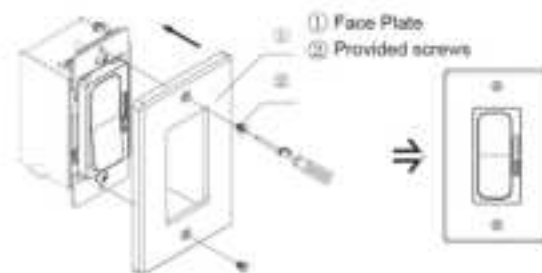


- Cover the face plate ③ over the installed mounting frame ① and gently push it to ensure flush fit.



Step 8b Integrated plate

- Place the face plate ① over your installed dimmer and secure it using provided screws ②.



Troubleshooting

Problem	Possible Cause	Solution
Lights flickering	Lamp has a bad connection	Reconnect and fix the wires
LED and CFL flickers at low end of dimming range	Adjust the adjustment button	Detail see Step 7
Light does not turn on	Circuit breaker has tripped	Turn power on
	Fuse burn out	Change fuse
	Lamp burned out Lamp neutral connection is not wired	Change lamp Reconnect the lamp neutral