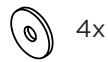


4x 5 mm

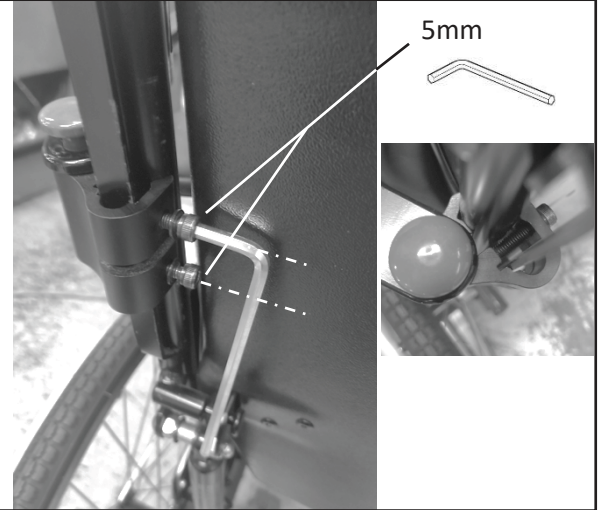
1x



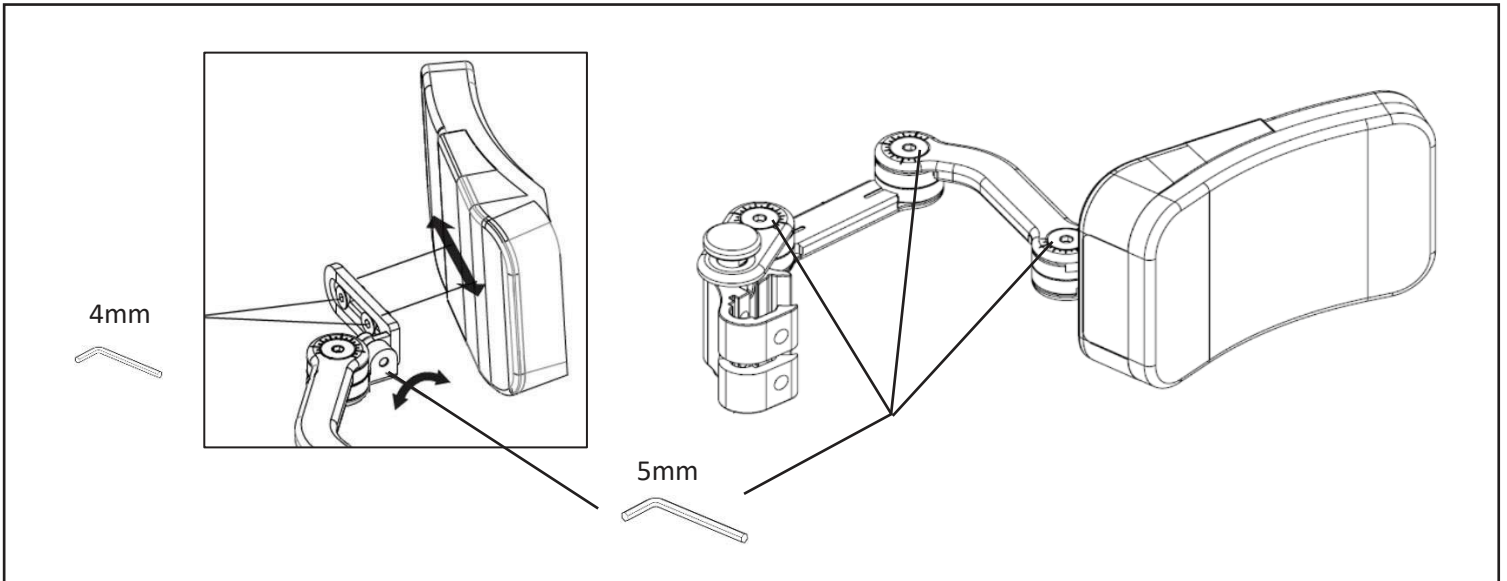
# Swing Away trunk support for the Action® 3 NG



4 mm  
5 mm

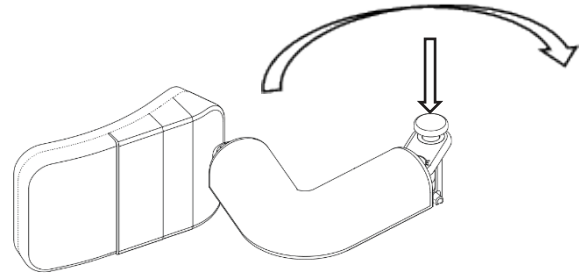
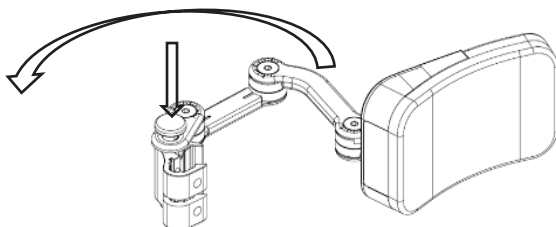


5mm



4mm

5mm



1683138-A 2025-10-20



Invacare France  
Operations SAS  
Route de St Roch  
37230 Fondettes, France



Yes, you can.