

Subwoofer Owner's Manual

EN

Mode d'emploi du caisson de graves

FR

Manual del propietario del subwoofer

ES

Manual do proprietário do subwoofer

PT

Manuale utente del Subwoofer

IT

Subwoofer Bedienungsanleitung

DE

Руководство пользователя сабвуфера

RU

Bruksanvisning för subwoofer

SV

Alibassokaiuttimen ohjekirja

FI

Instrukcja obsługi subwoofera

PL

Subwoofer Gebruikershandleiding

NL

Buku Panduan Pemilik Subwoofer

ID

サブウーファーの取扱説明書

JP

서브우퍼 사용 설명서

KO

低音炮用户手册

CHS

重低音喇叭擁有者手冊

TW

Betjeningsvejledning til subwoofer

DA

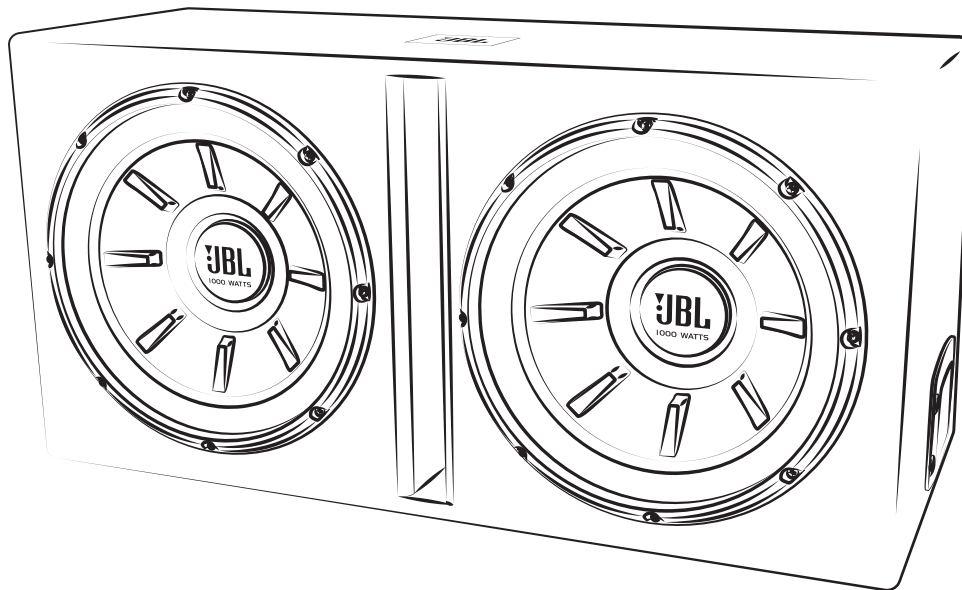
Subwoofer Kullanım Kılavuzu

TR



Торговая марка : JBL
Назначение товара : Автомобильная акустическая система
Изготовитель : Харман Интернешнл Индастриз Инкорпорейтед, США, 06901 Коннектикут, г.Стэмфорд, Атлантик Стрит 400, офис 1500
Страна происхождения : Китай
Импортер в Россию : ООО "ХАРМАН РУС СиАйЭс", Россия, 127018, г.Москва, ул. Двинцев, д.12, к 1
Гарантийный период : 1 год
Информация о сервисных центрах : www.harman.com/ru тел. +7-800-700-0467
Срок службы : 3 года
Товар не подлежит обязательной сертификации
Дата производства : Дата изготовления устройства определяется по двум буквенным обозначениям из второй группы символов серийного номера изделия, следующих после разделительного знака «-». Кодировка соответствует порядку букв латинского алфавита, начиная с января 2010 года: 000000-MY0000000, где «М» - месяц производства (А - январь, В - февраль, С - март и т.д.) и «Y» - год производства (А - 2010, В - 2011, С - 2012 и т.д.).





THANK YOU FOR CHOOSING THIS JBL PRODUCT

This product has been designed to deliver great bass performance from a compact, easily installed enclosure. To get the best performance from your enclosure, we strongly recommend that you entrust installation to a qualified professional. Although these instructions explain how to install your enclosure in a general sense, they do not show specific installation methods that may be required for your particular vehicle. If you do not have the necessary tools or experience, do not attempt the installation yourself. Instead, please ask your authorized JBL car audio dealer about professional installation. To help us serve you better if your enclosure ever requires warranty service, please retain your original sales receipt and serial number.

INSTALLATION WARNINGS AND TIPS

INSTALLATION TIPS

- Always wear protective eyewear when using tools.
- Turn off all audio components and other electrical devices before you start. Disconnect the negative (-) lead from your vehicle's battery.
- Check clearances on both sides of a planned mounting surface. Be sure that screws or wires will not puncture brake lines, fuel lines or wiring harnesses, and that wire routing will not interfere with the safe operation of the vehicle.
- When making electrical connections, make sure they are secure and properly insulated.
- Before drilling or cutting holes, use a utility knife to remove unwanted fabric or vinyl, to keep material from snagging in a drill bit or saw.
- Do not mount speakers where they will get wet.

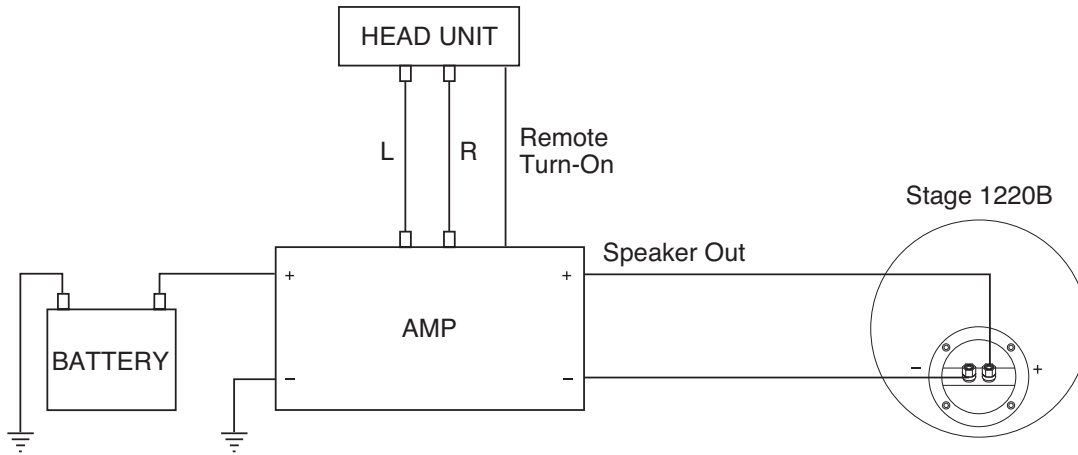
CHOOSING A MOUNTING LOCATION FOR THE ENCLOSURE

Choose a mounting location that doesn't interfere with cargo, the fold-down rear seat or the trunk lid. The best location is usually a corner of the trunk or cargo area. Securely mount the enclosure to the mounting surface.

WARNING: Playing loud music in an automobile can permanently damage your hearing as well as hinder your ability to hear traffic. Listening at low levels while driving is recommended. HARMAN International accepts no liability for hearing loss, bodily injury or property damage resulting from use or misuse of this product.

SPEAKER CONNECTIONS

Connect the + and – terminals on the enclosure to the amplifier’s outputs, observing proper polarity. Use at least 0.5mm² (20 AWG) speaker wire for the connections to the enclosure.



SPECIFICATIONS

	Stage 1220B
Woofer:	2 x 12" (300mm)
Power handling:	500Wrms
Power handling, peak:	1000W
Sensitivity (2.83V @1m):	94dB
Frequency response:	34Hz – 200Hz
Impedance:	2 ohms
Dimensions: (WxHxD1xD2)	30-1/8" x 15" x 13-11/16" x 10-1/2" (764.5mm x 380mm x 347.5mm x 266.7mm)

GENERAL CARE

The loudspeaker may be cleaned with a damp cloth. Do not use any cleaners or solvents.

A valid serial number is required for warranty coverage. This product is designed for mobile applications and is not intended for connection to the mains.



STAGE 1220B

Dual 12" (300mm) Stage subwoofers mounted in a slot-ported enclosure



Get powerful bass from a rugged JBL dual enclosure.

JBL's Stage 1220B, a dual 12" (300mm) sub enclosure, delivers powerful bass at an affordable price. The high-tech subwoofers are designed to handle lots of power for deep, rich bass, yet play nimbly and efficiently to deliver impressive musical accuracy. The subwoofers pair perfectly with the handsome, rugged slot-port enclosure, which increases the overall efficiency, and is built to last.

Features

- ▶ Dual 12" (300mm) JBL STAGE Subwoofers
- ▶ High power-handling
- ▶ Rugged slot-port enclosure
- ▶ Bass that's both loud and clear
- ▶ Compact enclosure compared to the competition
- ▶ Competitive pricing



STAGE 1220B

Dual 12" (300mm) Stage subwoofers mounted in a slot-ported enclosure



Features and Benefits

Dual 12" (300mm) JBL STAGE Subwoofers

JBL Stage subwoofers are designed with high-end materials to be lightweight yet stiff and play efficiently for powerful bass.

High power-handling

The dual subwoofers can handle up to 500 watts RMS and 1000 watts peak at 2 ohms, so you can feed them plenty of power.

Rugged slot-port enclosure

The 5/8" MDF carpeted enclosure stands up to wear and tear; the slot port helps increase the overall efficiency.

Bass that's both loud and clear

The high efficiency coupled with the strong woofer construction produce signature JBL bass, with plenty of high-impact SPL and satisfying musical accuracy.

Compact enclosure compared to the competition

JBL designed the Stage 1220B to be smaller than the typical dual enclosure, which means it'll fit in more vehicles.

Competitive pricing

The affordable price tag compared to the competition makes the JBL Stage 1220B a great choice for more customers.

What's in the box:

- 1 x Subwoofer enclosure
- Owner's manual
- 2 x Brand stickers

Technical Specifications:

- ▶ Power handling: 500 watts RMS/ 1000 watts peak
- ▶ Sensitivity: 94dB
- ▶ Frequency response: 34Hz – 200Hz
- ▶ Nominal impedance: 2 ohms
- ▶ Voice coil diameter (each): 2" (50.8mm)
- ▶ Enclosure dimensions: 30-1/8"W x 15"H x 13-11/16"D1 x 10-1/2"D2 (764.5mm x 380mm x 347.5mm x 266.7mm)
- ▶ Enclosure materials: 5/8" MDF with black carpet covering





HARMAN International Industries, Incorporated
8500 Balboa Boulevard
Northridge, CA 91329

Dear Customer,

Congratulations and thank you for choosing JBL.

Please take a moment to complete the enclosed profile card. The information we gather will enable us to keep you informed of our latest advancements and will help us to better understand your needs and fulfill your expectations.

For more than 50 years, JBL has been the professional's top choice in music and film recording and reproduction. From the stage to the recording studio to the living rooms and automobiles of critical audiophiles, JBL sets the standard for accuracy and dynamic musical performance.

We've maintained this enviable position through rigorous research into analog and digital technologies and psychoacoustics. The results of this research drive the development of new designs and materials, extracting even greater levels of performance.

We're confident that the JBL products you have chosen will surpass your expectations, and that the next time you consider the purchase of an audio product, you will again think of JBL.

Once again, thank you for selecting JBL.
HARMAN International Industries, Incorporated



**A Message from the JBL manufacturer
and the Consumer Electronics Association:**

Selecting fine audio equipment, such as the unit you have just purchased, is only the start of your musical enjoyment. Now it is time to consider how you can maximize the fun and excitement your equipment offers. JBL and the Electronics Industry Association's Consumer Electronics Group want you to get the most out of your equipment by playing it at a safe level; one that lets the sound come through loud and clear without annoying blaring or distortion – and, most importantly, without affecting your sensitive hearing.

Sound can be deceiving. Over time your hearing "comfort level" adapts to higher volumes of sound. What sounds "normal" can actually be loud and harmful to your hearing. Guard against this by choosing a safe level BEFORE your hearing adapts.

Sound can be deceiving. Over time your hearing "comfort level" adapts to higher volumes of sound. What sounds "normal" can actually be loud and harmful to your hearing. Guard against this by choosing a safe level BEFORE your hearing adapts.

TO ESTABLISH A SAFE LEVEL:

- Start your volume control at a low setting.
- Slowly increase the sound until you can hear it comfortably, clearly, and without distortion.

ONCE YOU HAVE ESTABLISHED A COMFORTABLE SOUND LEVEL:

- Do not exceed that level.



Taking a moment to do this now will help to prevent hearing damage or loss in the future. After all, we want you listening for a lifetime.



JBL 1-Year Transferable Limited Warranty

This is an important document. Attach your bill of sale to this card and keep it in a safe place. Your bill of sale is your warranty

The JBL warranty remains in effect for one year from the date of the first consumer purchase.

WHO IS PROTECTED BY THIS WARRANTY

The JBL warranty protects the original owner and all subsequent owners, provided that the JBL product was purchased from an authorized dealer in the United States or purchased by military personnel from an authorized military outlet.

A copy of the original dated bill of sale must be presented whenever warranty service is required.

WHAT IS COVERED BY THIS WARRANTY

Except as specified below, the JBL warranty covers all defects in material and workmanship. The following are **not** covered: damage caused by accident, misuse, abuse, product modification or neglect; damage occurring during shipment; damage from failure to follow instructions contained in the instruction manual; damage resulting from the performance of repairs by someone not authorized by JBL; damage caused by installation of parts that do not conform to JBL specifications; units used for commercial or business use; any claims based on misrepresentations by the seller; products sold on an "as-is" or final sale basis; or the cost of installing, removing, or reinstalling the unit. JBL's liability is limited to the repair or replacement, at our option, of any defective product and shall not include incidental or consequential damages. JBL reserves the right to replace a discontinued model with a comparable model. Any replacement units or parts may be new or rebuilt.

NOTE: Repair of our product must be done by an authorized dealer or service center. **Unauthorized repair will void the warranty and is done at the risk of the consumer.**

TO OBTAIN WARRANTY SERVICE

If you require warranty service, please contact your dealer for assistance. If this is not possible and you live in the United States, please visit our Web site at www.jbl.com or call 800-336-4525 for information on how to obtain service or replacement.

If purchased outside the United States, contact your local dealer or distributor for repair or replacement.

DO NOT RETURN PRODUCTS TO THE JBL FACTORY WITHOUT AUTHORIZATION; THEY WILL BE RETURNED UNOPENED

You are responsible for transporting your product for repair or replacement. The JBL manufacturer will pay reasonable return charges for delivery to any location in the continental United States, Alaska or Hawaii if the repair or replacement is covered under the warranty. Please save the original shipping carton(s), as a charge will be made for additional cartons.

Correspondence with JBL Customer Service should be addressed to: JBL Customer Service, 8500 Balboa Boulevard, Northridge, CA 91329. Outside the United States, please contact your local distributor.

This warranty gives you specific legal rights. You may also have other rights, which vary from state to state. Some states do not allow the exclusion or limitation of incidental or consequential damages or limitations on how long an implied warranty lasts, so the above may not apply to you.



HARMAN International Industries, Incorporated
8500 Balboa Boulevard, Northridge, CA 91329

© 2010 HARMAN International Industries, Incorporated. All rights reserved. JBL is a trademark of HARMAN International Industries, Incorporated, registered in the United States and/or other countries.

Part No. 1YEARWARJBL

产品中有害物质的名称及含量

部件名称	目标部件	有害物质或元素					
		铅 (Pb)	汞 (Hg)	镉 (Cd)	六价铬 (Cr(VI))	多溴联苯 (PBB)	多溴二苯醚 (PBDE)
电路板	印刷电路板, 电路板上的电子零件 (不包括特定电子零件), 内部相关连接线	0	0	0	0	0	0
箱体	木箱、接线盒、螺钉等	0	0	0	0	0	0
扬声器	盆架、T铁、音盆、接线端子等	0	0	0	0	0	0
附件	说明书, 包装等	0	0	0	0	0	0

本表格依据 SJ/T 11364 的规定编制

0: 表示该有害物质在该部件所有均质材料中的含量均在 GB/T 26572 规定的限量要求以下。

X: 表示该有害物质至少在该部件的某一均质材料中的含量超出 GB/T 26572 规定的限量要求。



在中华人民共和国境内销售的电子电气产品上将印有“环保使用期”(EUP)符号。
圆圈中的数字代表产品的正常环保使用年限。