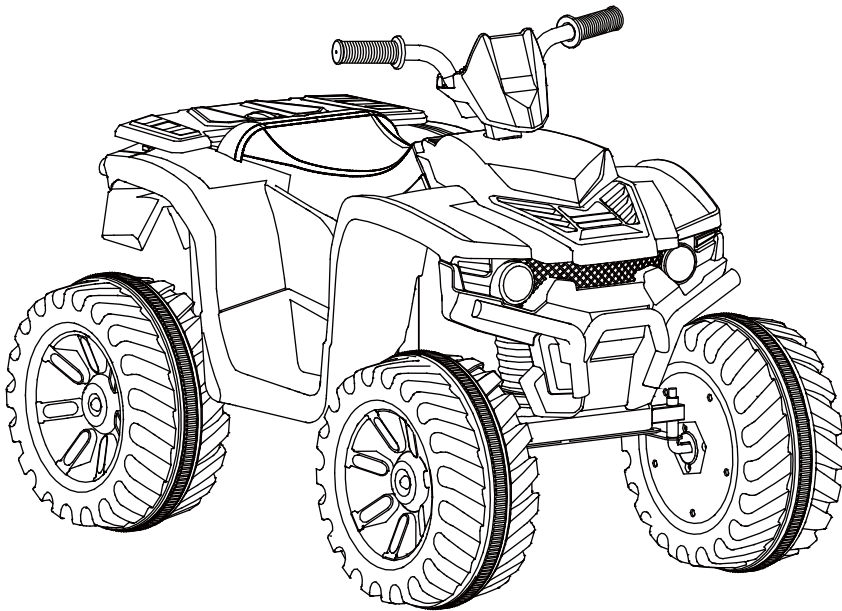


# kidzone



Ride On ATV Personalize License Plate (12V)

Item number : 060-ROT-04



**⚠ ATTENTION**



**This product is packed with the battery disconnected. Connect the battery before use. This manual contains important safety, performance and maintenance information. Read the manual before allowing your child to ride your new electric ride-on toy. Keep the manual handy for future reference.**

## USER WARNINGS

The following safety hazards may result in serious injury or death:

- Never leave a child unattended.
- Always sit in the seat when using this vehicle.
- Keep your hands, hair, and clothes away from moving parts.
- Always wear shoes when operating this vehicle,
- Only one rider is allowed on the vehicle at a time.
- Children under 3 years of age cannot use the vehicle.
- Only drive on level ground.
- Do not go near swimming pools or other bodies of water, drop-offs, or up and down steep inclines.
- Do not drive the vehicle into loose dirt, mud, sand, fine gravel, or on wet surfaces.
- Do not drive the vehicle on streets or near cars.

## SAFETY

Please retain these instructions for future reference.

This vehicle must be assembled by an adult who has read and understood the instructions in this manual. Keep the packaging and bags away, from children and dispose of all packaging before use. Always use common sense and safe practices when operating this vehicle. This product contains or emits chemicals known in the state of California to cause cancer or birth defects or other reproductive harm.

NOTE: For best performance, only use this vehicle on flat and hard surfaces.

Age Range: 3 to 7 years old

Weight Capacity: 77lbs.

The following safety hazards may result in serious injury or death:

- This product contains small parts. Keep children away during assembly. Make sure to remove all packaging material and parts from underneath the vehicle body.
  - \* Never open the battery. Batteries contain lead and lead compounds (acids) that are toxic and corrosive, and known to the state of California to cause cancer and reproductive harm.
  - Limbs, hair, and clothing can get caught in moving parts. Always wear shoes, keep limbs away from moving parts, and do not wear loose clothing while operating this vehicle.
  - This vehicle does not have brakes or braking capability. Do not leave a child unattended during operation. Do not use this in a location that may require braking capability, as this could result in loss of control, which may cause serious injury or death.
  - Use of this vehicle near streets, motor vehicles, steps, bodies of water, sloped surfaces, hills, wet areas, flammable vapors, in alleys. at night. or in the dark could result in an unexpected accident.
  - Use of this vehicle in unsafe conditions such as snow, rain, loose dirt, mud, sand, or gravel may result in an unexpected accident such as tipping over, and could damage the electrical system or battery
- Do not operate this vehicle in an unsafe manner. Examples include but are not limited to:

- Pulling the vehicle with another vehicle or similar device

Allowing more than one rider

Pushing the user

Traveling at an unsafe speed

- For your child's safety, pls make sure fasten the seat belt when using this product.
- Personal protective equipment such as helmet is needed when using this product.



**CORRECT FITTING –**  
MAKE SURE YOUR HELMET  
COVERS YOUR FOREHEAD.



**INCORRECT FITTING –**  
FOREHEAD IS EXPOSED  
AND VULNERABLE TO  
SERIOUS INJURY.

## Specification

---

Item	060-ROT-04
Battery	12V7A
Motor	2*35W,550-50071-UL,9000R
Age	3-7year old
Max Weighe	77IBS
Dimension	42”(L)x25”(W)x29”(H)
Speed	High speed:3.1mph Low-speed:1.4mph
Play Time	1-2hours/recharger time8-12hours
Charger	110-240V 12V 1000MA
First Charging Time	8-12hours
Charging time after first charge	4-5hours
Max Charging Time	12Hous
Average Battery Life	Normal use 1year
Battery (Temperature Tolerance)	-68°F to 140°F

## BATTERY WARNINGS

The following safety hazards may result in serious injury or death:

- Use of a battery or charger other than the supplied rechargeable battery and charger may cause a fire or explosion. Only use the supplied battery and charger.
- Use of the rechargeable battery and charger for any other product may result in overheating, fire, or explosion. Never use the supplied rechargeable battery and charger 'with another product.
- Explosive gases are created during charging. Charge the battery in a well-ventilated area. Do not charge the battery near heat or flammable materials.
- Contact between the positive and negative terminals may result in fire or explosion. Avoid direct contact between the terminals. Picking up the battery by the wires or charger can cause damage to the battery and may result in a fire. Always pick up the battery by its case or handles.
- Liquids on the battery may cause fire or electric shock. Always keep all liquids away from the battery and keep the battery dry. Contact or exposure to battery leakage (lead acid) may cause serious injury. If contact or exposure occurs immediately call your physician. If the chemical is on the skin or in the eyes, flush with cool water for 15 minutes. If the chemical was swallowed, immediately give the person water or milk. Do not give water or milk if the patient is vomiting or has a decreased level of alertness. Do not induce vomiting.
- Battery posts, terminals, and related accessories contain lead and lead compounds (acid) - chemicals known to the State of California to cause cancer, reproductive harm, and are toxic and corrosive. Never open the battery.
- Tampering or modifying the electric circuit system may cause a shock, fire or explosion and permanently damage the system. Exposed wiring and circuitry in the charger may cause electric shock. Always keep the charger housing closed.

## TOOLS REQUIRED



77IBS



## HARDWARE

**1** Large gasket



1 PC

**2** M4\*12mm screw



1PCS

**3** Washer



10PCS

**4** M10 nut



7 PCS

## PARTS

**A**

Chair



1 PC

**B**

Charger



1 PC

**C**

Front wheel



2 PCS

**D**

Rear wheel



2 PCS

**E**

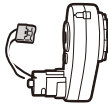
Hub cap



4 PCS

**F**

Gear box L/R



2 PCS

**G**

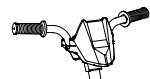
Anti-collision  
beam



2 PCS

**H**

Headstock



1 PC

**I**

Rear axle



1 PC

**J**

Steering rod



1 PC

**K**

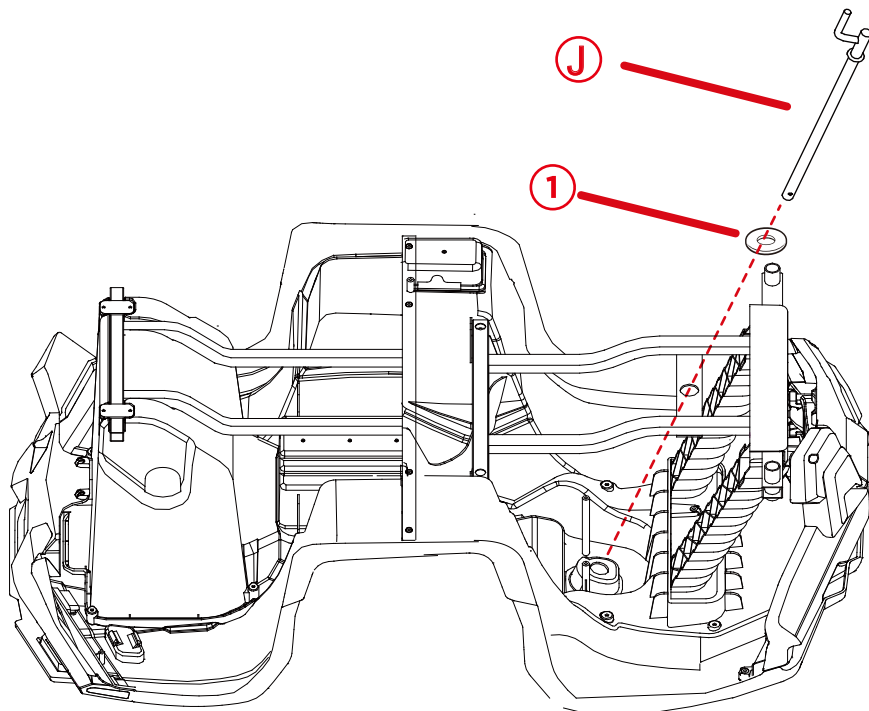
Steering bracket



1 PC

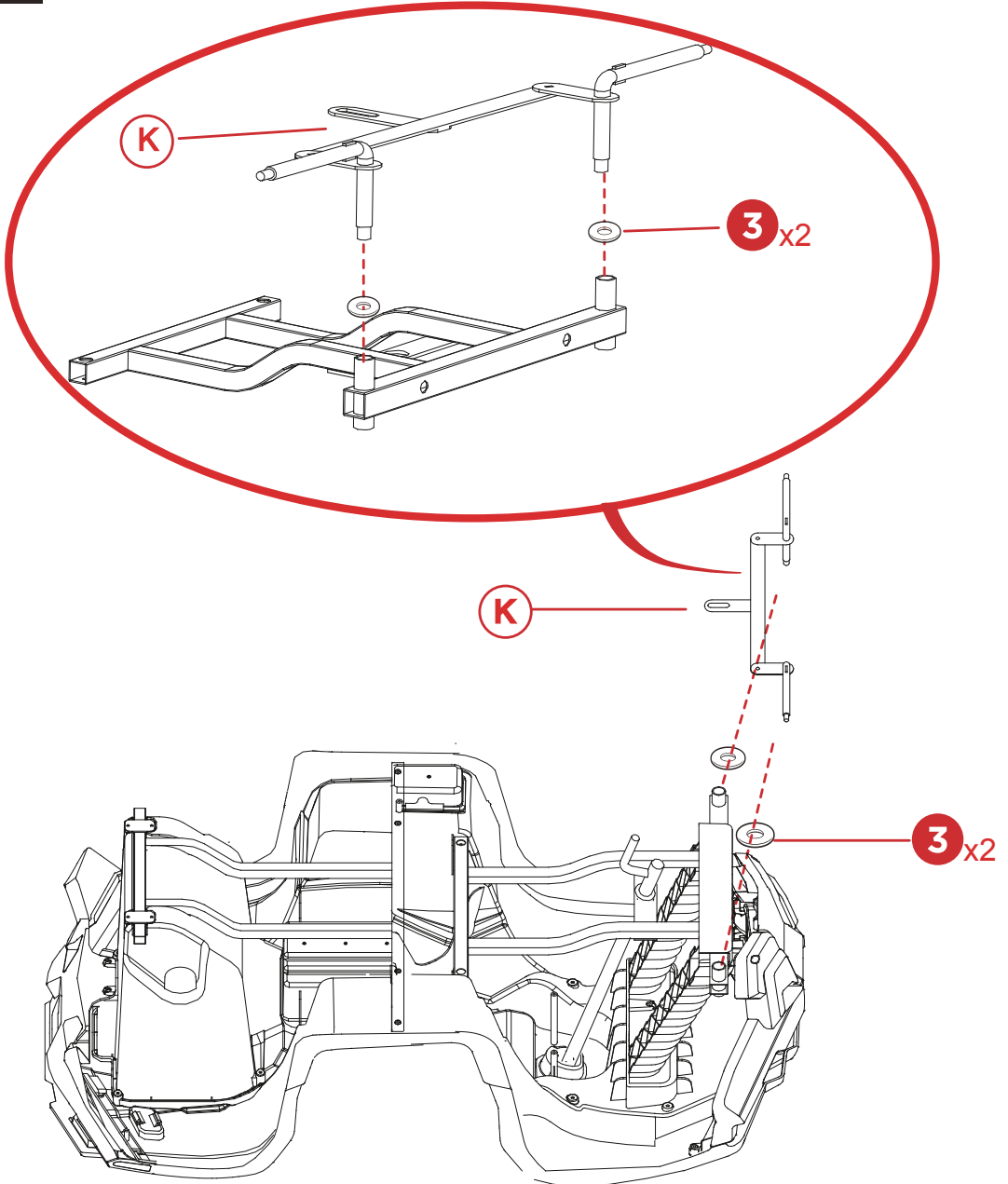
1

The large gasket and steering rod are inserted into the body in turn.



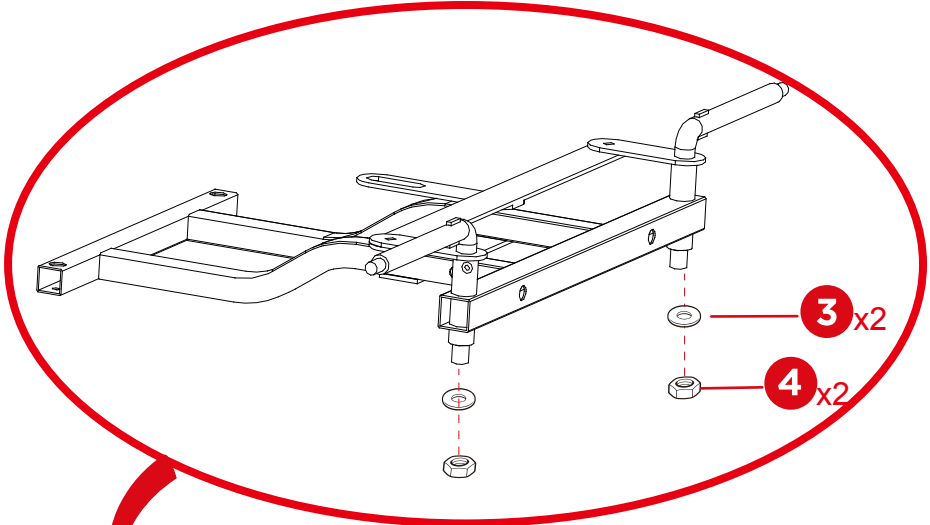
## PRODUCT ASSEMBLY

**2** Turn gasket and steering bracket into square pipe

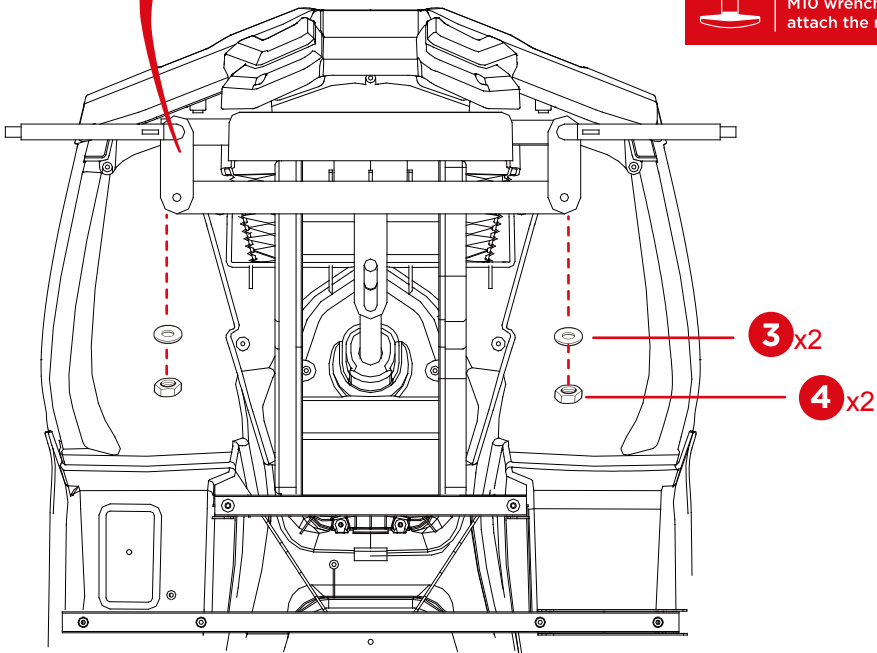


## PRODUCT ASSEMBLY

### 3 Lock Steering Bracket Gasket Nut Fixation



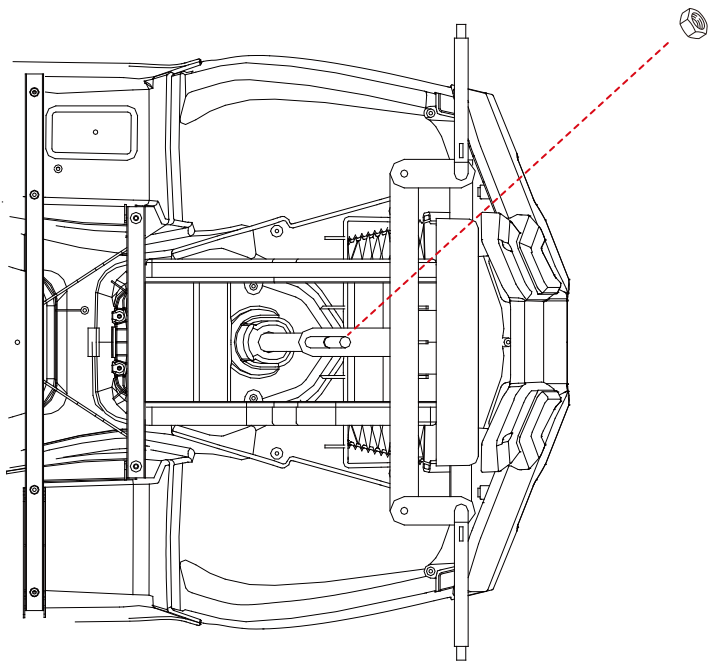
Use the provided  
M10 wrench to  
attach the nuts.



## PRODUCT ASSEMBLY

4

Lock nut fixed with wrench

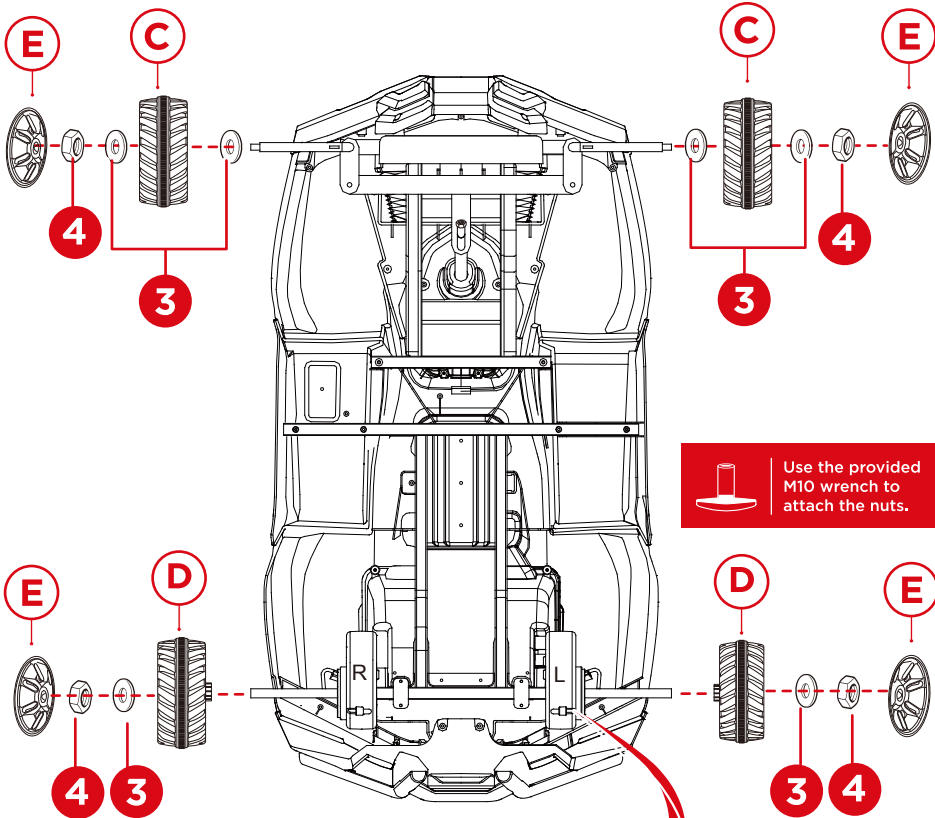


Use the provided  
M10 wrench to  
attach the nuts.

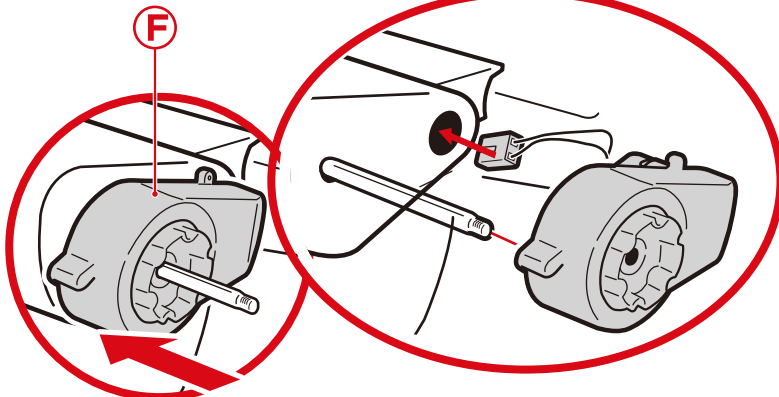
## PRODUCT ASSEMBLY

5

Put the gasket, front wheel, gasket and nut into the front axle in turn.  
Fix the nut with the plate hand, and then fix the wheel cover on the wheel.



Use the provided  
M10 wrench to  
attach the nuts.

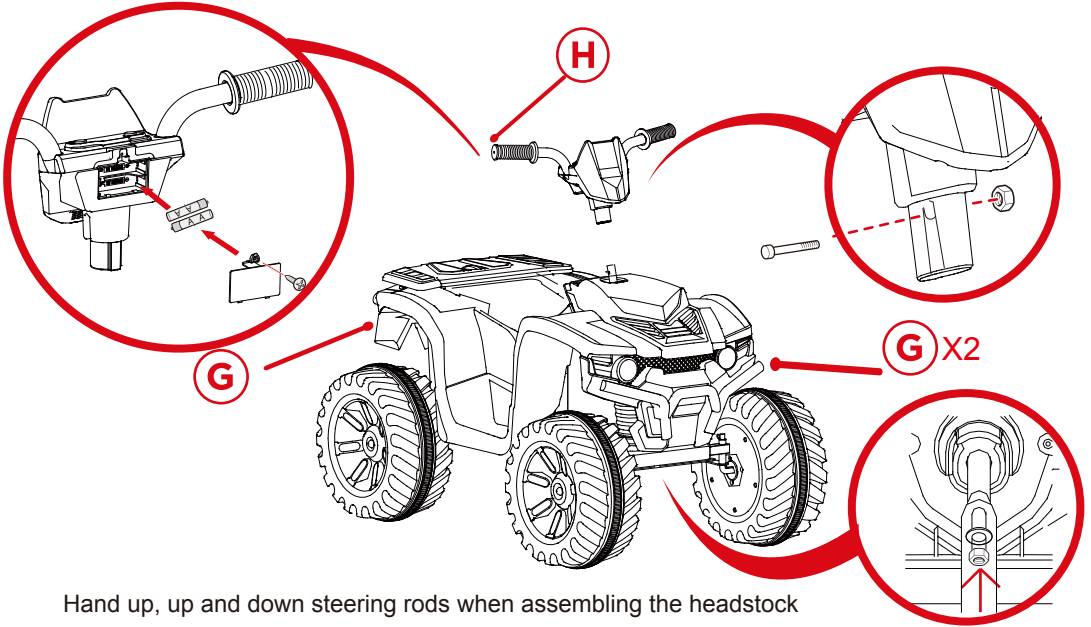


Put the rear wheel, gasket and nut into the front axle in turn.  
Fix the nut with a wrench, and then fix the wheel cover on the wheel.

## PRODUCT ASSEMBLY

6

Head H is equipped with 2 AA batteries. Lock the battery cover screw and fix it. The head H is clamped into the steering rod, the screw nut is fixed, and the front and rear anti-collision beam G is clamped.

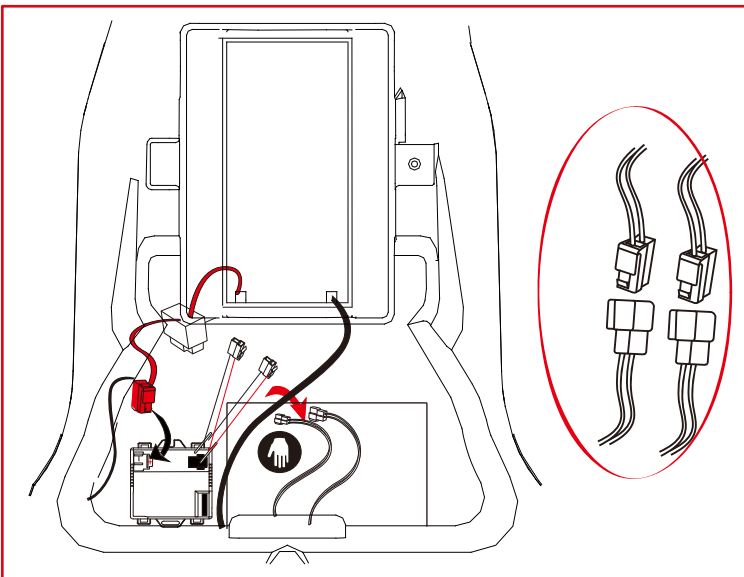


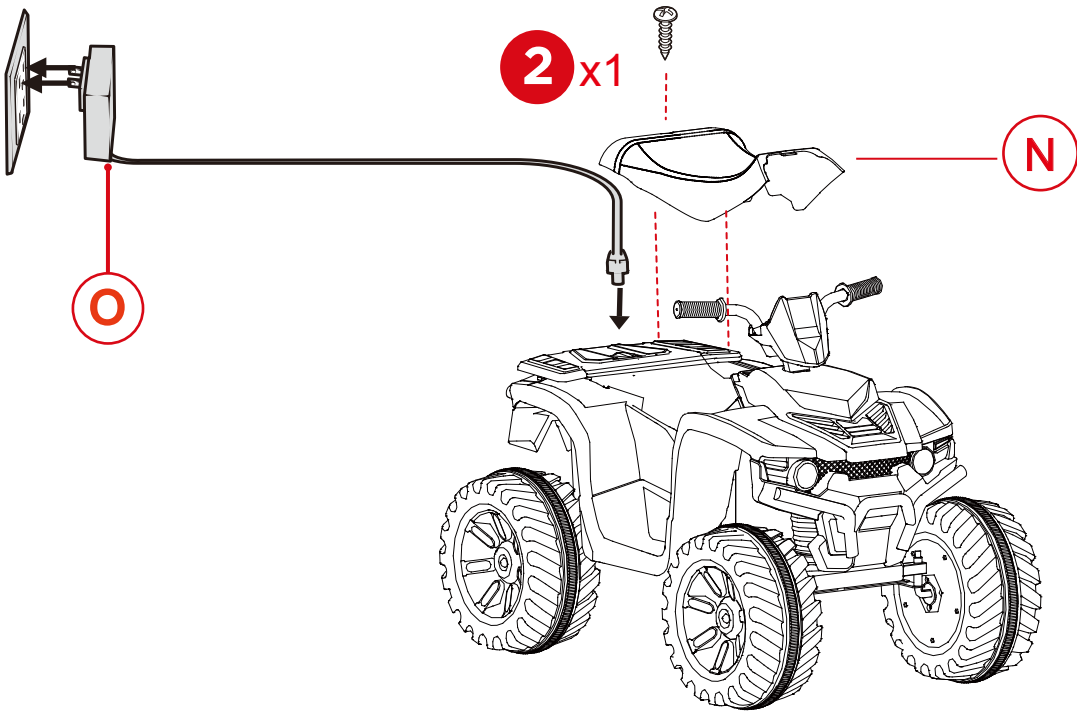
Hand up, up and down steering rods when assembling the headstock

## PRODUCT ASSEMBLY

7

Remove the motor wire from the pocket by hand. Insert the motor wire and lock the seat N with the power cord.

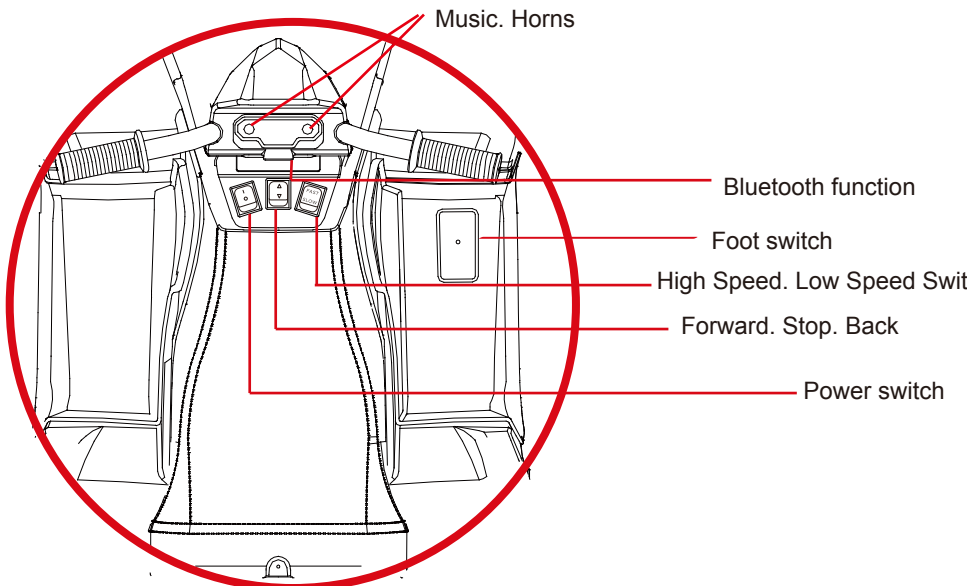




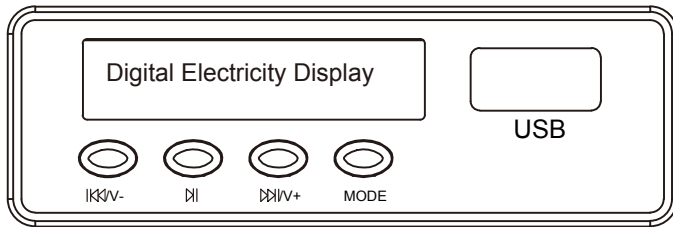
Open the tank cover. Insert the charging terminal for charging.

## DASHBOARD DIAGRAM

Step on the pedal. Back up. Loosen the pedal to slow down and stop.



## DASHBOARD DIAGRAM



### Functional description

- **MODE:** Switch between Bluetooth (Kidzone Ride-On) & Radio
- **KK/V-:** 1.Short press to play to the previous song,2.Long press to decrease volume
- **|||/V+:** 1.Short press to play to the next song,2.Long press to increase volume
- **||:** 1.Short press to pause/playback,2.Radio modress 1 second to automatically search for stations.
- **USB connector:** Insert USB to play the music.

## CHARGING INSTRUCTIONS AND WARNINGS

- Charging socket is located on the back of the vehicle near the rear left wheel. Insert one end of the part O charger into the charging socket and plug the other end into a wall outlet.
- Charge the battery at least 18 hours before initial use.
- On average, you will need to charge the battery between 8 and 12 hours. Do not charge the battery for more than 20 hours. Failure to charge the battery as directed could cause permanent damage to the battery and void the warranty.
- Damage to the battery may occur if it is allowed to drain completely. Do not allow the battery to drain completely.
- Check the battery and charger (supply cord, connector) for wear and damage before charging. Do not charge the battery if damage has occurred.
- Only an adult who has read and understood the safety warnings should handle, charge and recharge the battery. .

## WARNINGS REGARDING BATTERIES

- Do not mix alkaline, standard (carbon zinc) and rechargeable (nickel hydride) batteries.
- Do not mix old and new batteries.
- Non-rechargeable batteries should not be charged.
- Rechargeable batteries should be charged under adult supervision only.
- Exhausted batteries should be removed.
- The supply terminals should not be short-circuited.
- Do not put batteries next to or in a heat source (fire, electronic heating device, etc.).
- Do not hit batteries against hard objects.
- Do not submerge batteries in water.
- Batteries should be inserted with the correct polarity.

## CARE AND MAINTENANCE

- Park the vehicle indoors or cover it with a tarp to protect it from wet weather.
- Do not leave the vehicle in the sun for long periods of time or fading may occur. Store in shade or cover with tarp.
- Do not wash the vehicle with a hose.
- Do not wash the vehicle with soap.

## TROUBLESHOOTING

Problem	Reason	solution
Vehicle does not move	Low battery Electrical protection	Fully charge the battery Stop use for several minutes and restart
	Switch not in the correct position	Completely press in switches
	Battery connectors disconnected	Plug in battery connectors
Battery does not recharge	Battery connectors disconnected	Plug in battery connectors
	Charger not connected to socket or outlet	Completely plug in the charger
Battery does not last	Battery docs not have a full charge	Fully charge the battery
Battery is warm and makes a slight noise while charging	Normal	Normal
Slow speed	Low battery	Fully charge the battery
	Overloaded vehicle	Reduce the weight on the vehicle
	Uneven or sloped road	Drive on flat pavement
vehicles shakes while driving	Loose connection to motor	Ensure the motor is properly connected to the battery
Forward and reverse switch is flipped (forward goes in reverse, reverse goes forward)	Gear boxes are installed incorrectly	Make sure the L gear box is on the left and Rgear box is on the right