

## 15EC-CIA-SFS SERIES

### APPLICATIONS

- Wastewater removal, dewatering and water transfer

### FEATURES

- 3/4 HP Permanent Split Capacitor (PSC) motor
- 1-1/2" FNPT discharge
- Thermally protected motor
- Completely submersible, designed for continuous duty operation
- Fully automatic with integral vertical float switch
- Cast iron motor housing, base and cover
- Capable of passing 1/2" semi-solids

### SERIES SPECIFICATIONS

Volts	Hz	Amps	Watts	Performance (GPM / Liters per Minute @ Height)					Shut-Off	PSI Bar
				5' / 1.5 m	10' / 3 m	15' / 4.6 m	20' / 6.1 m	25' / 7.6 m		
115	60HZ	8.1A	800W	80 302.8	66.7 252.5	56.7 214.6	45 170.3	30 113.6	28' 8.5 m	12.1 0.83

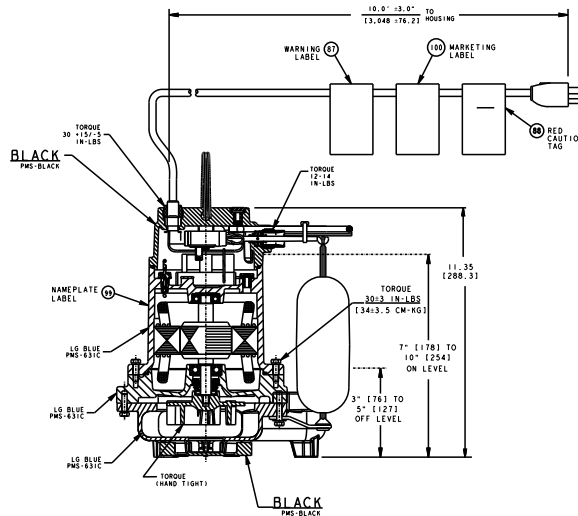
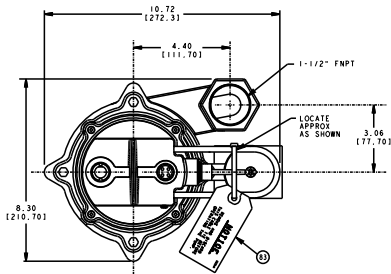
Item No.	Model	HP	Volts	Switch Type/ Operation	On Level	Off Level	Cord	Weight
14942784	15EC-CIA-SFS	3/4	115	Snap Action Float Switch	7"-10"	3"-5"	10' 3 m	34.1 lbs 15.5 kg



# SUMP PUMPS

## 15EC-CIA-SFS SERIES

### PERFORMANCE DATA

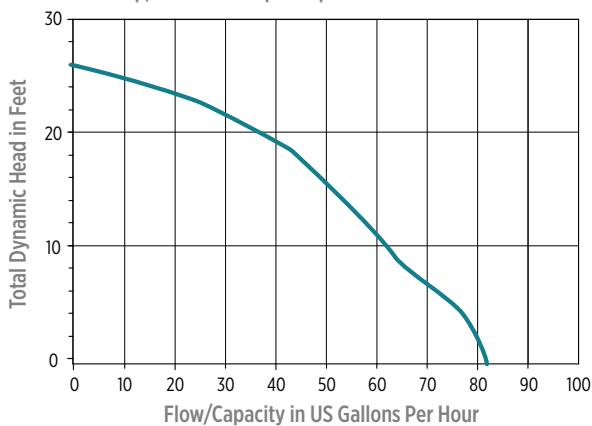


GPM	Head
85.5	0
85	1
80	5
66.7	10
56.7	15
45	20
27	24.5
0	28

LPM	M
323.7	0
321.8	0.3
302.8	1.5
252.5	3
214.6	4.6
170.3	6.1
102.2	7.5
0	8.5

### PERFORMANCE DATA

Sump/Effluent Pump Composite Performance Curves



### CONSTRUCTION

Motor Housing	Cast Iron
Impeller Material	Polymer
Impeller Type	Clog resistant
Volute	Cast Iron
Motor Shaft	Stainless steel
Shaft Seal	Mechanical
Fasteners	Stainless steel
Bearings	Ball bearing upper/lower
Power Cord	10FT
RPM	3200
Motor Type	PSC