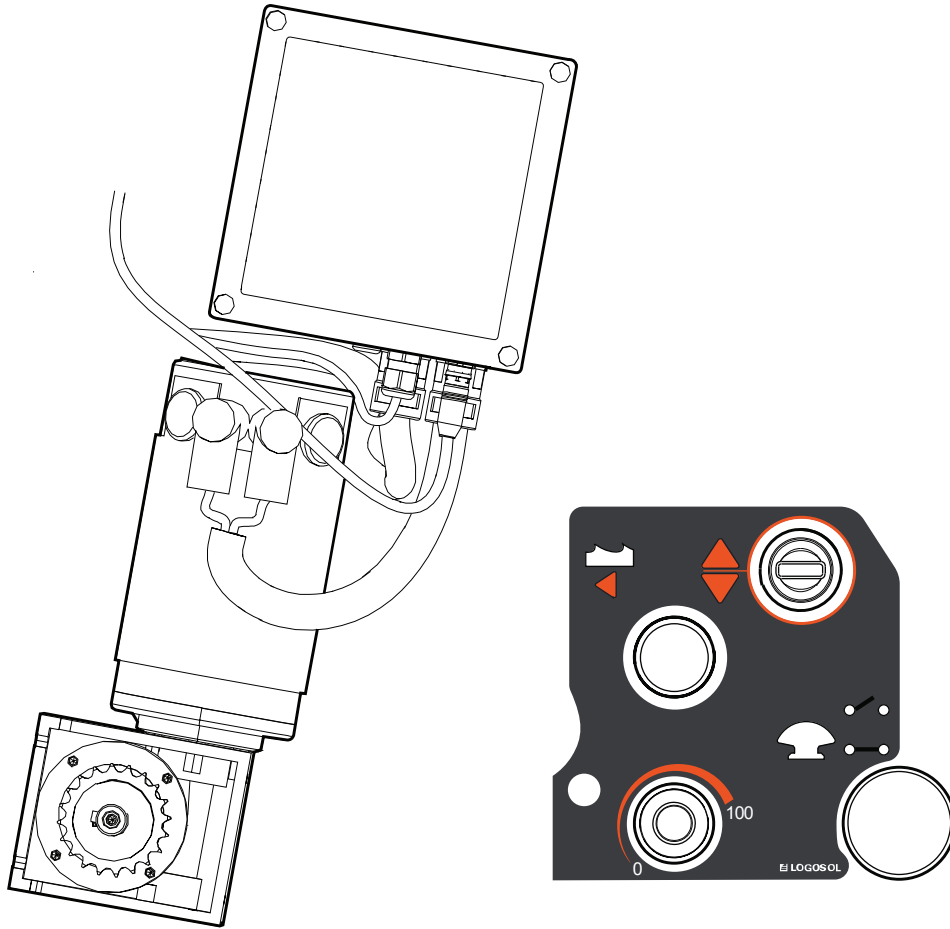


USER MANUAL

ORIGINAL USER MANUAL

0458-395-5581

REV: 0



PRO FEED 12V



Read through the user manual carefully and make sure you understand its contents before you use the machine.



This user manual contains important safety instructions.



WARNING! Incorrect use can result in serious or fatal injuries to the operator or others.

THANK YOU FOR CHOOSING A LOGOSOL MACHINE!

We are very pleased that you have demonstrated your confidence in us by purchasing this sawmill, and we will do our utmost to meet your expectations.

Logosol has been manufacturing sawmills since 1989. In that time we have supplied approximately 50,000 machines to satisfied customers the world over.

We care about your safety as well as we want you to achieve the best possible results with your sawmill. We therefore recommend that you take the time to carefully read this user manual from cover to cover in peace and quiet before you begin using the saw. Remember that the machine itself is just part of the value of the product. Much of the value is also to be found in the expertise we pass on to you in the user manuals. It would be a pity if that were not utilised.

We hope you get a lot of satisfaction from the use of your new machine.



Bengt-Olov Byström
Founder,
Logosol in Härnösand, Sweden



LOGOSOL continuously develops its products.
For this reason, we must reserve the right to modify
the configuration and design of our products.
Document: Pro Feed 12V User Manual
Ref. No. User Manual, English: 0458-395-5561
Last revised: September 2024
© 2024 LOGOSOL, Härnösand Sweden

TABLE OF CONTENTS

General information	2
Safety instructions	4
Components	7
Assembly	10
Connection of cable trunks	23
At first startup	24
Control panel	25
Troubleshooting guide	25
CE / UKCA Declaration of conformity	26

SAFETY INSTRUCTIONS

KEY TO SYMBOLS



WARNING! This symbol means that you should pay particular attention and is always followed by information about the relevant risk.



This symbol is followed by important information or instructions. Pay particular attention when this symbol appears in the manual text.



For your own safety and the safety of others, do not operate the band sawmill or handle band blades without first having read and understood all the contents of this user manual.



WARNING! Cutting tools: Incorrect use can lead to life-threatening injuries. Band blades are extremely sharp and dangerous.



Always use protective gloves (class 1) when working with the band sawmill or handling band blades. Risk of lacerations when handling band blades and some of the plates. Band blades and motor parts may be hot after sawing.



Always use approved hearing protection when working with the machine. Even short exposure to high frequency noise can damage your hearing. Always use closefitting safety goggles when working with the machine or handling band blades. Under certain circumstances the use of respiration protection may be necessary. This would mainly apply if you are sawing dry wood or sawing indoors.




Always wear approved protective footwear with saw protection, steel toe-caps and nonslip soles when working with the machine or handling band blades.




Always wear full-length protective trousers when working with the machine or handling band blades. Never wear loose-fitting clothing, scarves, neck chains, etc., that can get caught in the machine during operation. Secure loose hair before working with the band sawmill.

SAFETY INSTRUCTIONS

THE SAFETY EQUIPMENT OF THE BAND SAWMILL

 **WARNING!** Never use the machine if the safety equipment is defective.

 The safety equipment must be checked and maintained.

Here is a description of the safety features of the band sawmill together with their functions.


Interlock safety switch on the band wheel guard


One of the hinges of the band wheel guards is equipped with an interlock safety switch. The machine can not be used without having these guards closed.


Rail end stops

Mechanical stops that prevent the saw carriage from rolling off at the end of the rails.


OPERATOR


 **WARNING!** Whenever the machine is used, approved personal protective equipment must always be used.


 Persons under the age of 18 may not work with the band sawmill or handle band blades.


 Never work with the machine or handle band blades if you are tired, if you have consumed alcohol or if you are taking medication that can impair your vision, judgement, reaction times, mobility, alertness or otherwise cause negative side effects.


THE WORKSITE


 **WARNING!** Never operate a band sawmill with a petrol-powered engine in enclosed or poorly ventilated areas. This can result in death due to suffocation or carbon monoxide poisoning.

 Only operate the band sawmill and handle band blades in full daylight or under adequate lighting.

 Keep the work area free from clutter, pets, children, obstacles or other things that can distract the operator.

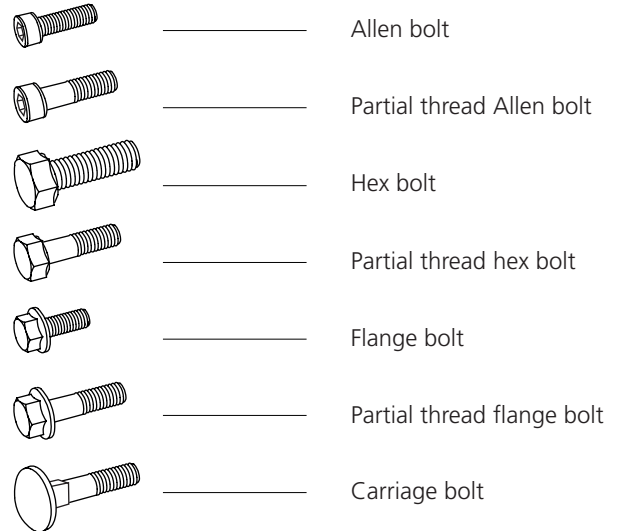
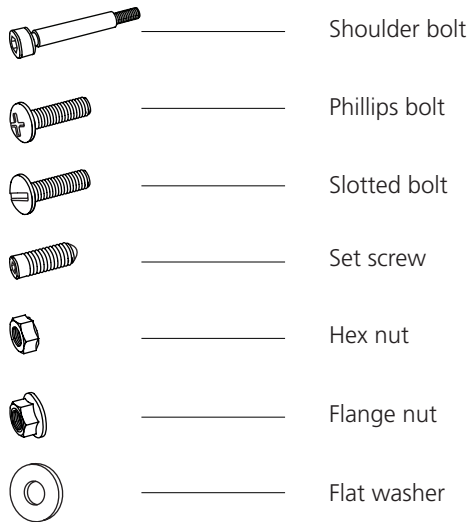
 Choose a worksite where the ground is hardpacked and level, with plenty of space for the band sawmill, a pile of logs and sawn timber. If possible, place the band sawmill so that the sawdust blows away from the operator. Set up the band sawmill on level ground with at least 5 m of free space without any obstacles around the equipment. If the band sawmill is to be set up permanently, we recommend that you support the rail frame with concrete plinths or wooden blocks (15 cm x 15 cm) under each cross bunk.

 Always keep a hand-held, ABC type (min. 6 kg) fire extinguisher readily accessible at the worksite.

 Always keep a fully-stocked first-aid kit easily accessible at the worksite.

BOLTS & NUTS

Definition of fasteners on following pages.



ADDITIONAL SYMBOLS

The following symbols are used as supplements to the symbols above to describe the design or function of the fasteners.



DIAMETER & LENGTH

The size of a fastener is written as a diameter measurement (**M**) ISO 68-1. For bolts, this is followed by a length measurement. The length of the bolt is measured from below the head to the tip of the bolt.

(Diameter) **(Length)**
M8 x 20



When this symbol appears during assembly, parts must be lubricated before installation. Lubricate affected parts with universal grease.



This symbol describes the recommended lifting point for heavy lifts.



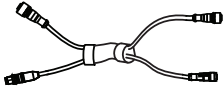
This symbol describes the sawing direction and reappears during assembly.



Screw the joint finger-tight.



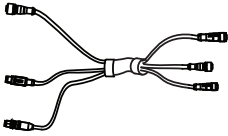
01-01032



1 x - 01-01050 (4m)



1 x - 01-00690



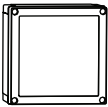
1 x - 01-01049 (12m)



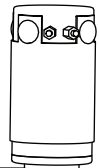
1 x - 01-01066
1 x - 01-00972
1 x - 01-00953
1 x - 01-00821



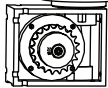
01-01-066



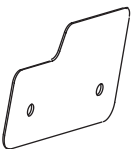
1 x - 01-01052



1 x - 04-00753



1 x - 0400160



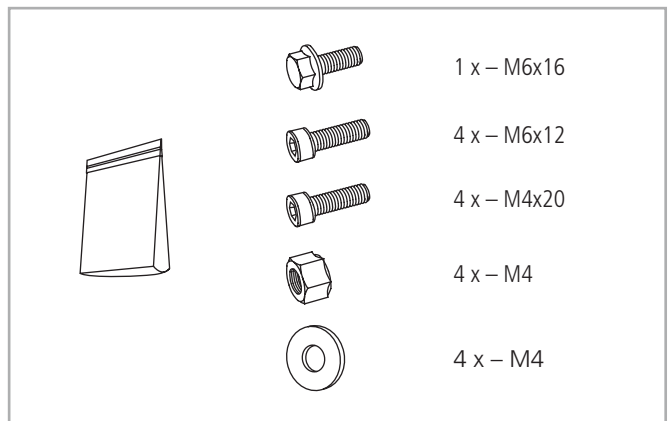
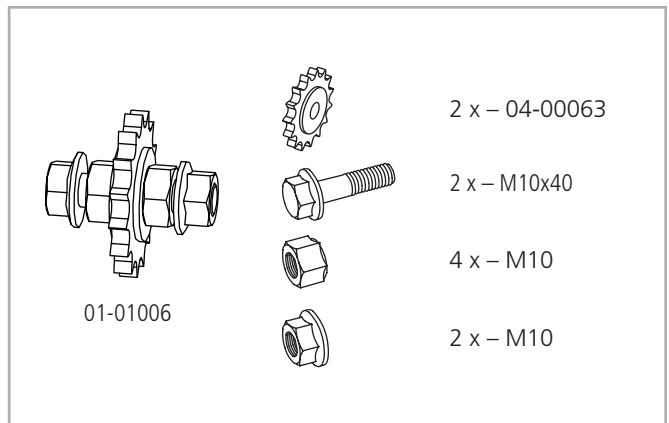
1 x - 03-03746



1 x - 03-03774

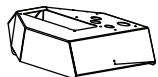


1 x - 03-03656

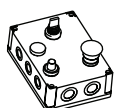




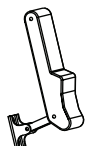
01-00953



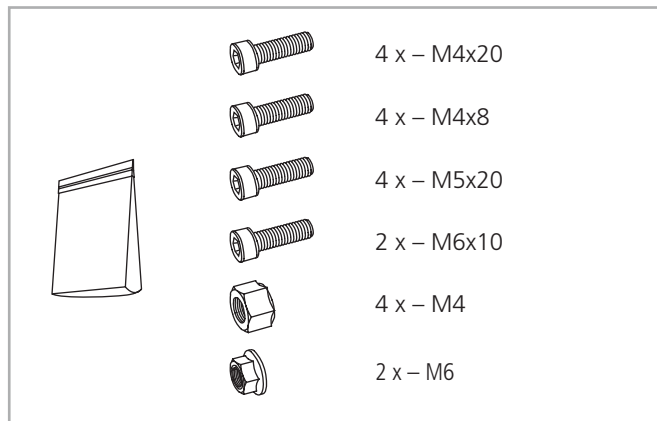
1 x - 03-03699



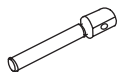
1 x - 01-01052



1 x - 9036-011-0001



01-00972



1 x - 9023-013-0002



1 x - 03-02668



1 x - 03-02963



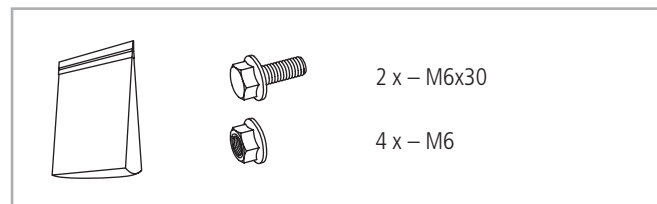
2 x - 04-00443 (6,3x10x10)



1 x - 03-02972

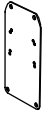


1 x - 01-00453

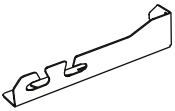




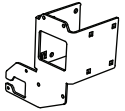
01-00821



1 x -03-03481



1 x -02-00548

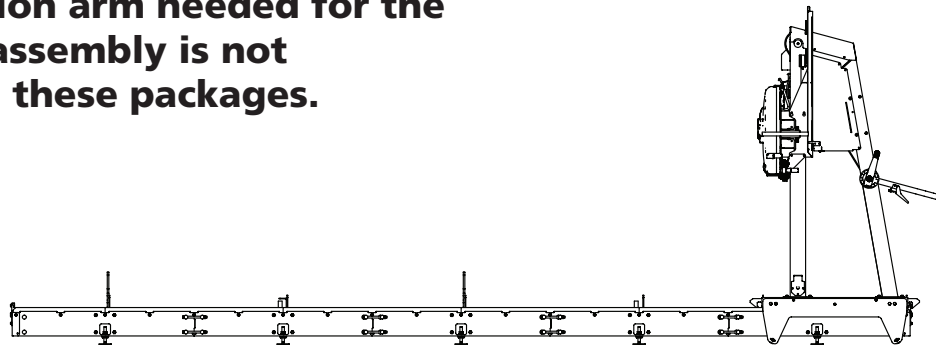


1 x -03-03578

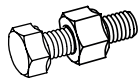
 01-00821-SKP		2 x - M5x16
		2 x - M6x10
		4 x - M6x16
		4 x - M8x120
		4 x - M6
		4 x - M8

The operation arm needed for the following assembly is not included in these packages.

1



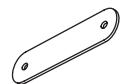
2 x - M8x20



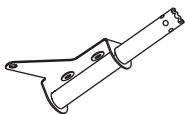
1 x - M12x100 + M12



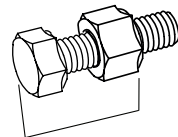
1 x - M12



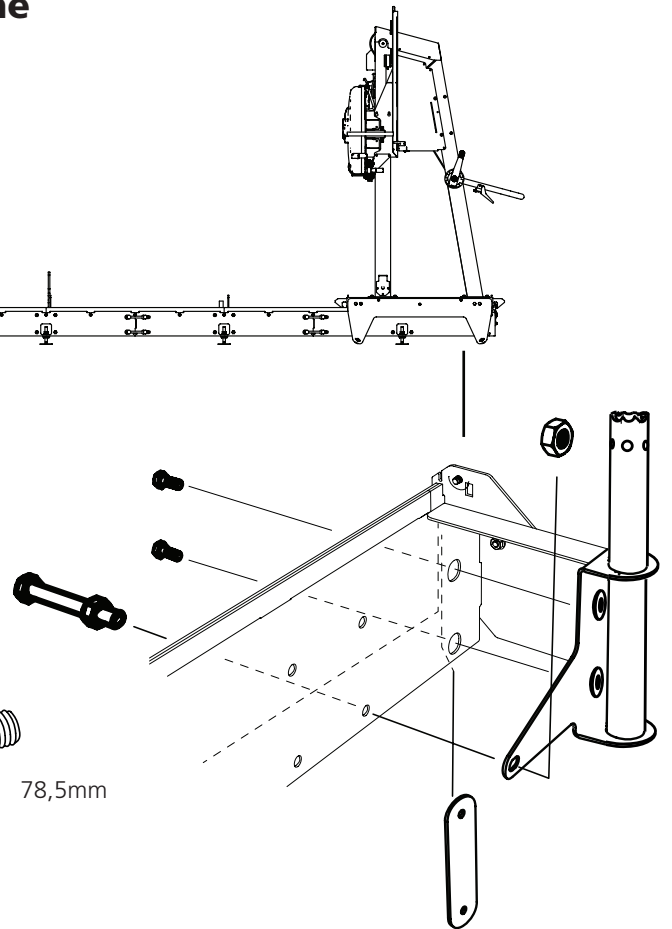
1 x



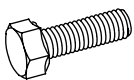
1 x



78,5mm



2



4 x - M6x16



4 x - M6



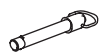
2 x - M6x10



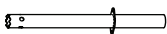
2 x - M6



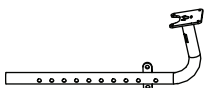
1 x



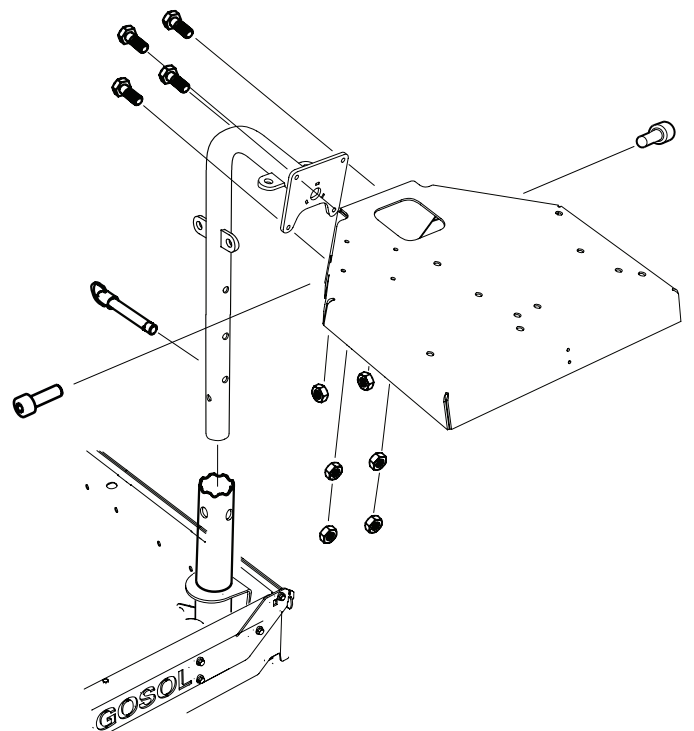
1 x



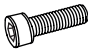
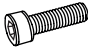
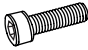

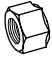
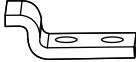
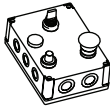
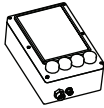
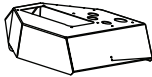
1 x

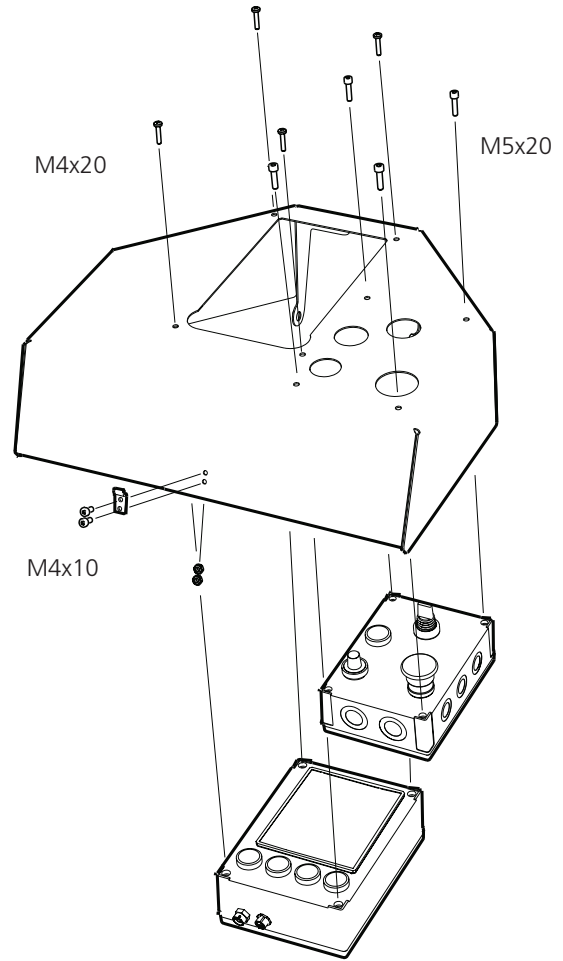


1 x




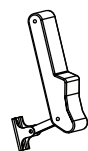


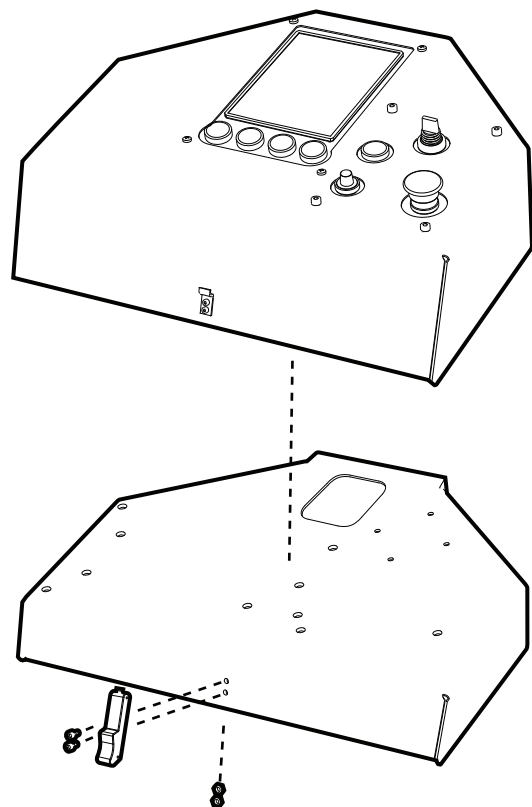
3

-  2 x – M4x10
-  4 x – M4x20
-  4 x – M5x20
-  2 x – M4
-  2 x – M4
-  1 x
-  1 x
-  1 x
-  1 x



4

-  2 x – M4x10
-  2 x – M4
-  2 x – M4
-  1 x



LOGOSOL

5



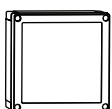
4 x - M4x20



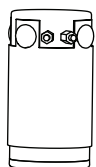
4 x - M6x12



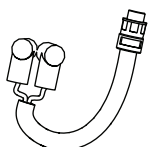
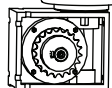
4 x - M4



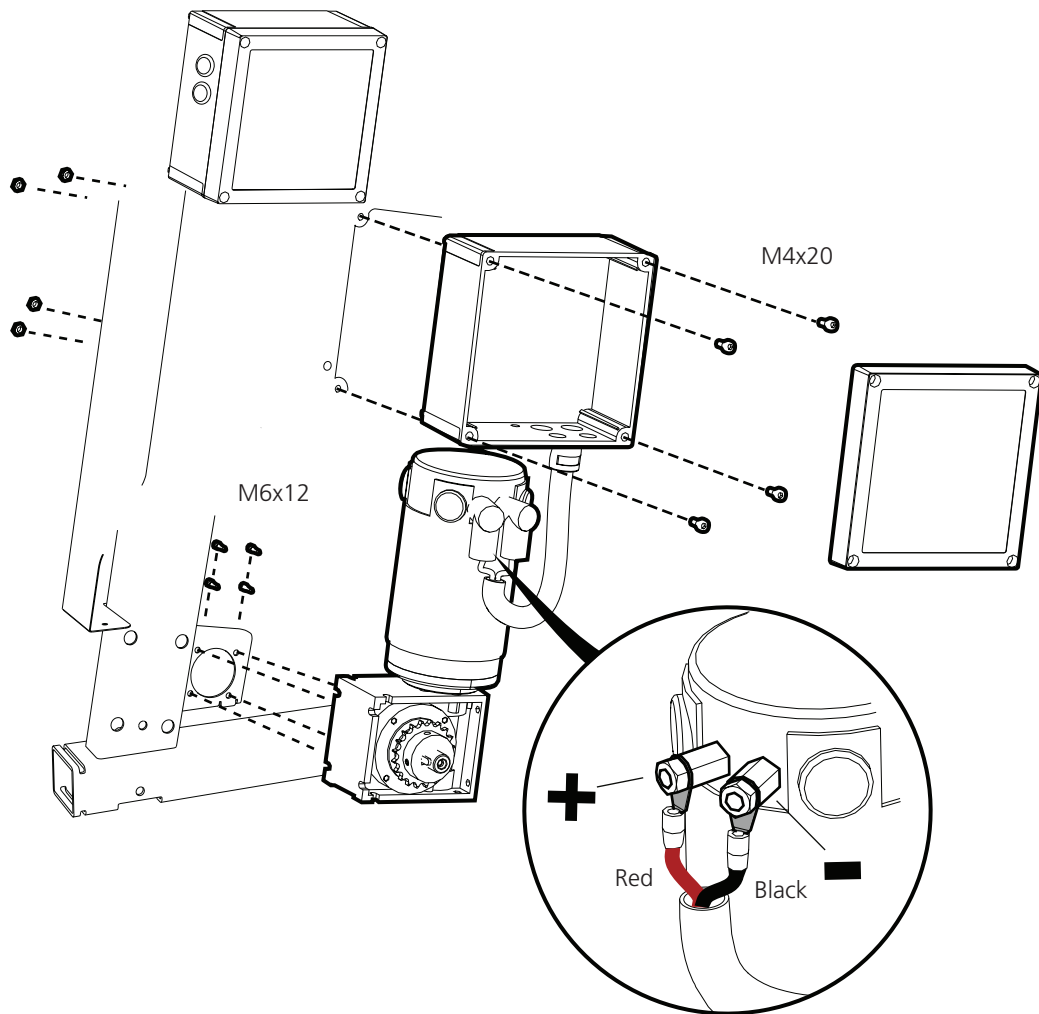
1 x



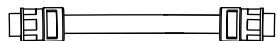
1 x



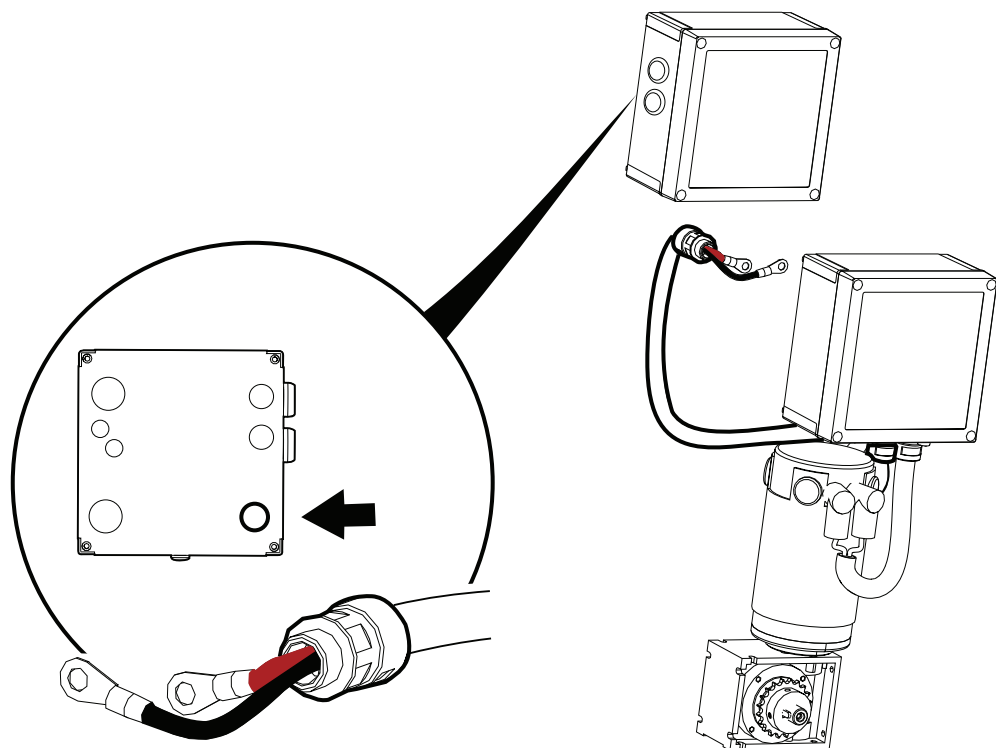
1 x



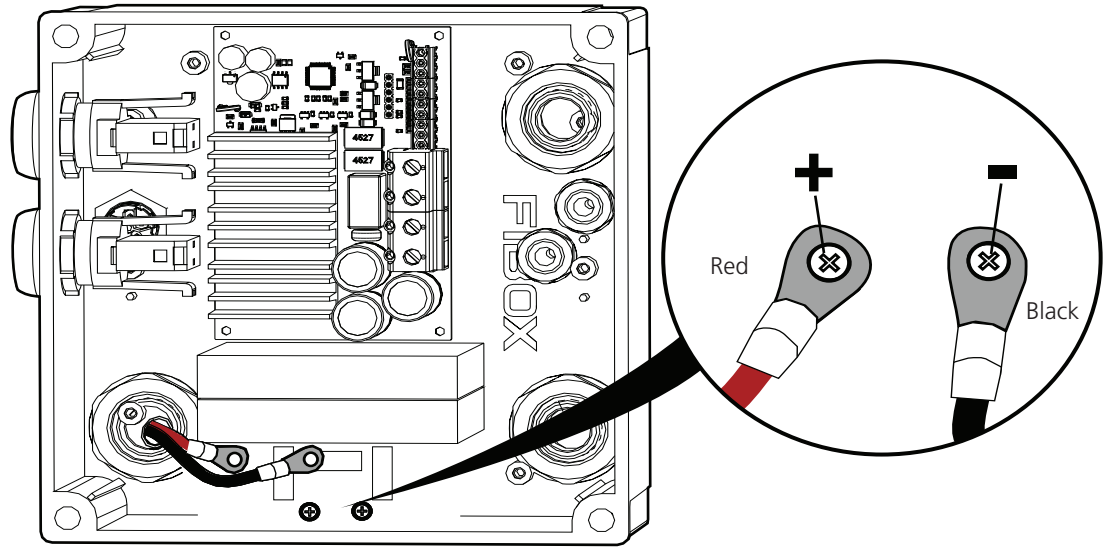
6



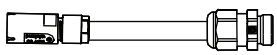
1 x



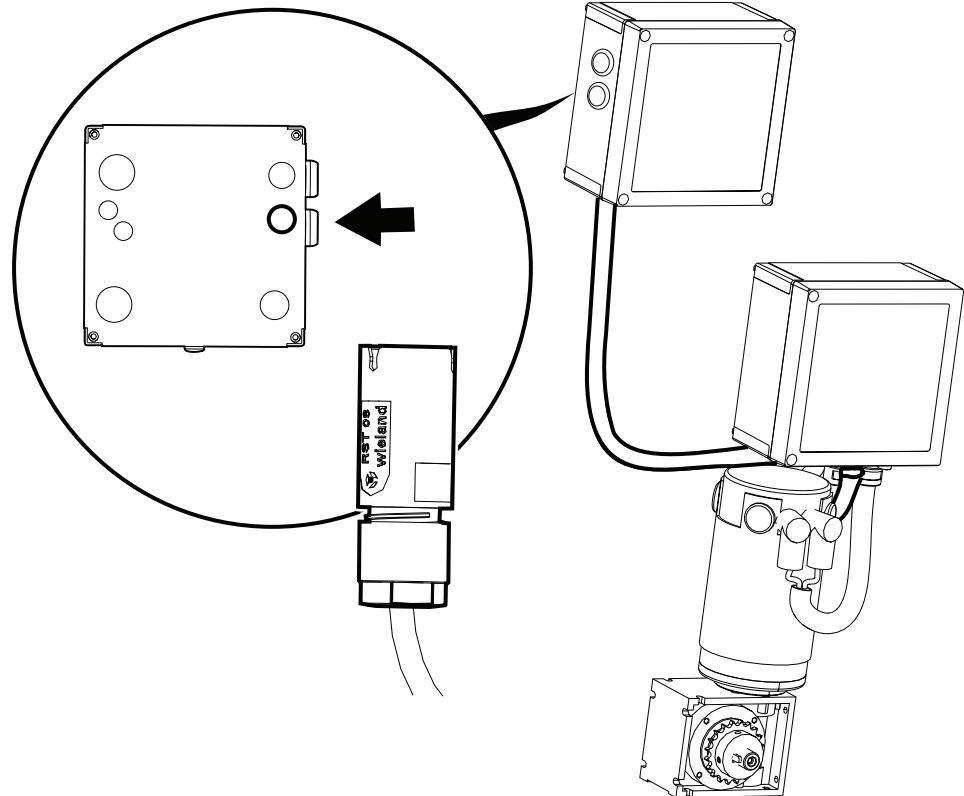
7



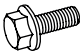


8

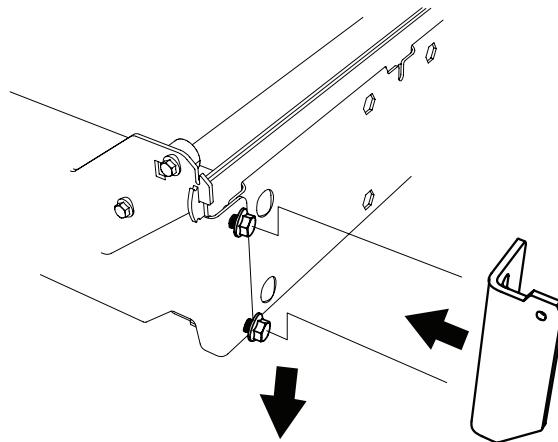


1 x

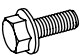




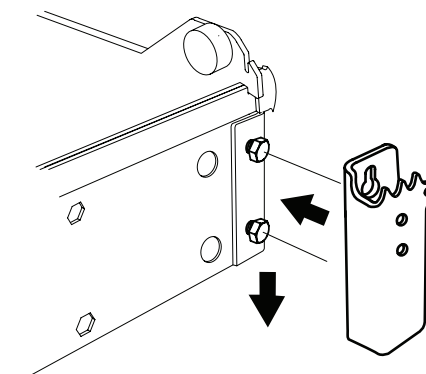
9

-  2 x – M8x25
-  2 x – M8
-  1 x

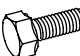






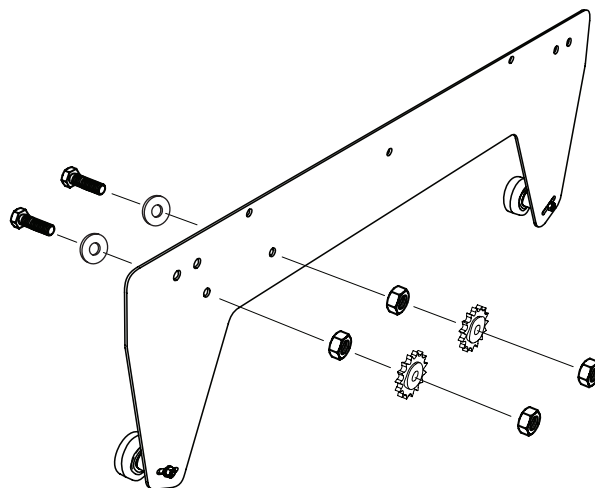
10

-  2 x – M8x25
-  2 x – M8
-  1 x

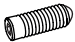




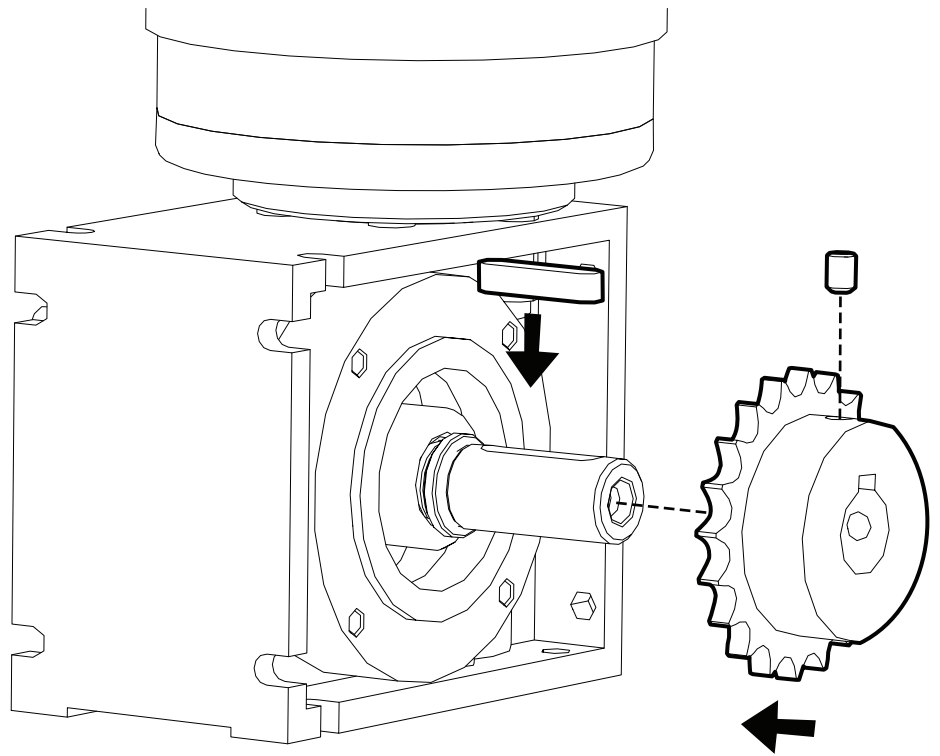
11

-  2 x – M10x40
-  4 x – M10
-  2 x – M10
-  2 x
-  1 x


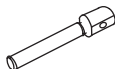



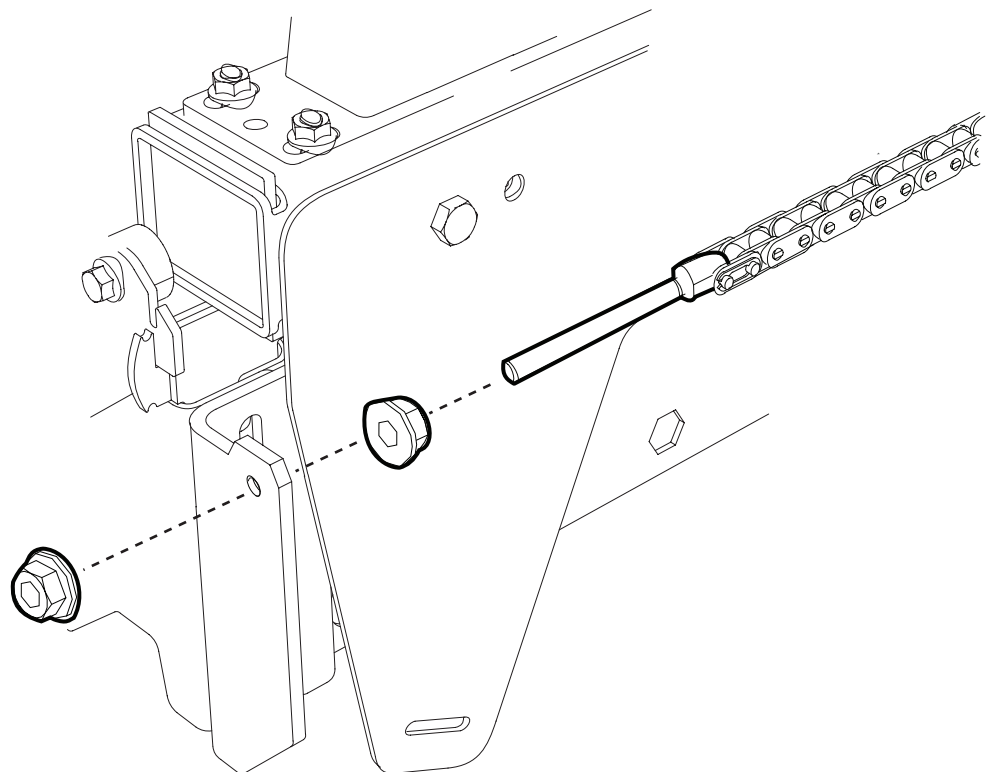
12

-  1 x - M6x8
-  1 x
-  1 x

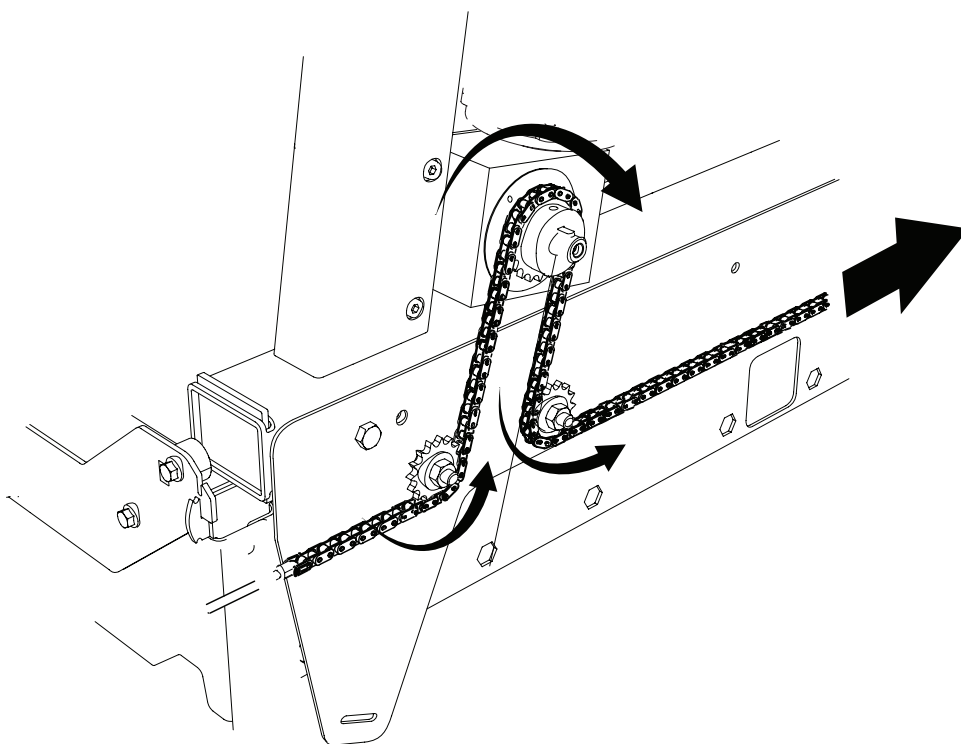


13

-  2 x - M6
-  1 x
-  1 x

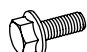

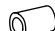



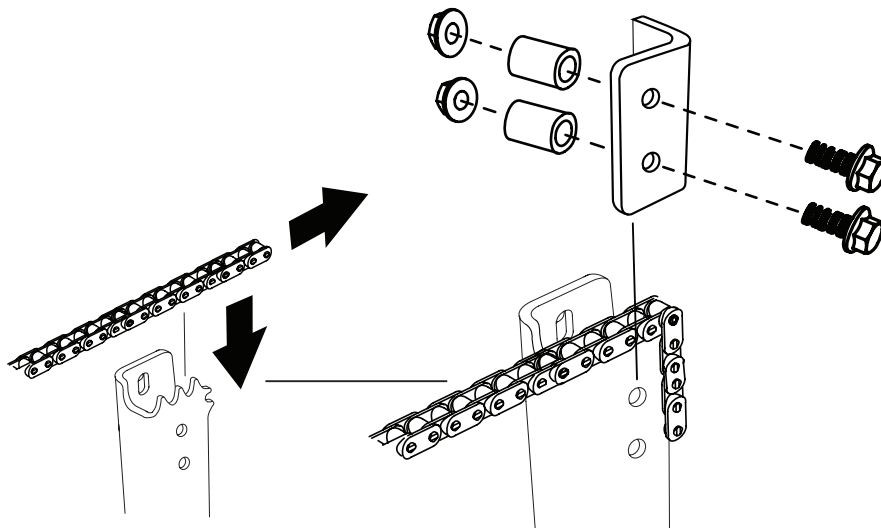
14






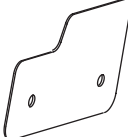
15

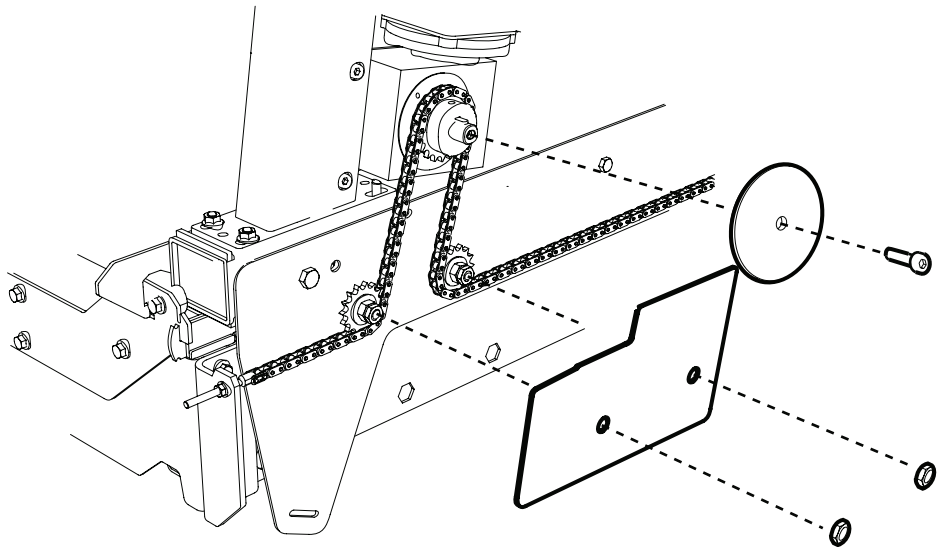
Tighten the supply chain manually as much as possible before it is mounted on the chain lock.

-  2 x – M6x30
-  2 x – M6
-  2 x – 6,3x10x10
-  1 x







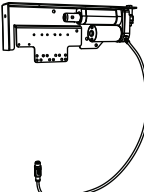
16

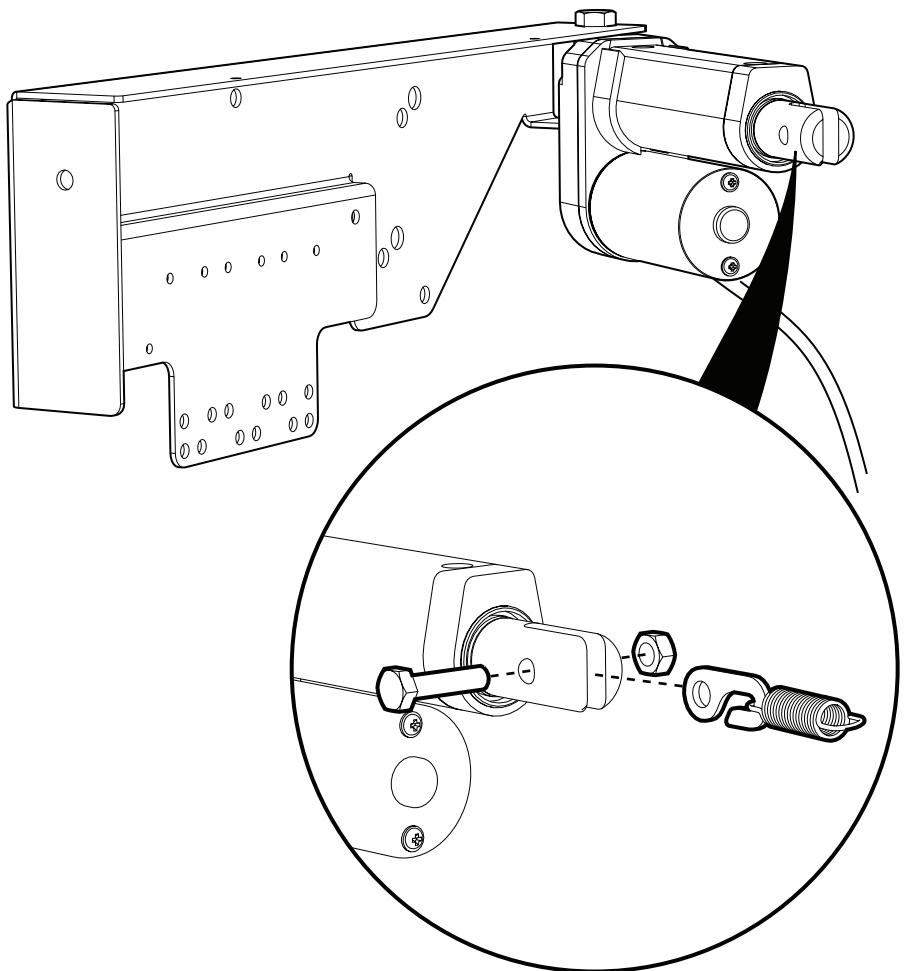
-  1 x – M6x8
-  2 x – M10
-  1 x
-  1 x



The actuator needed for the following assembly is not included in these packages.

17

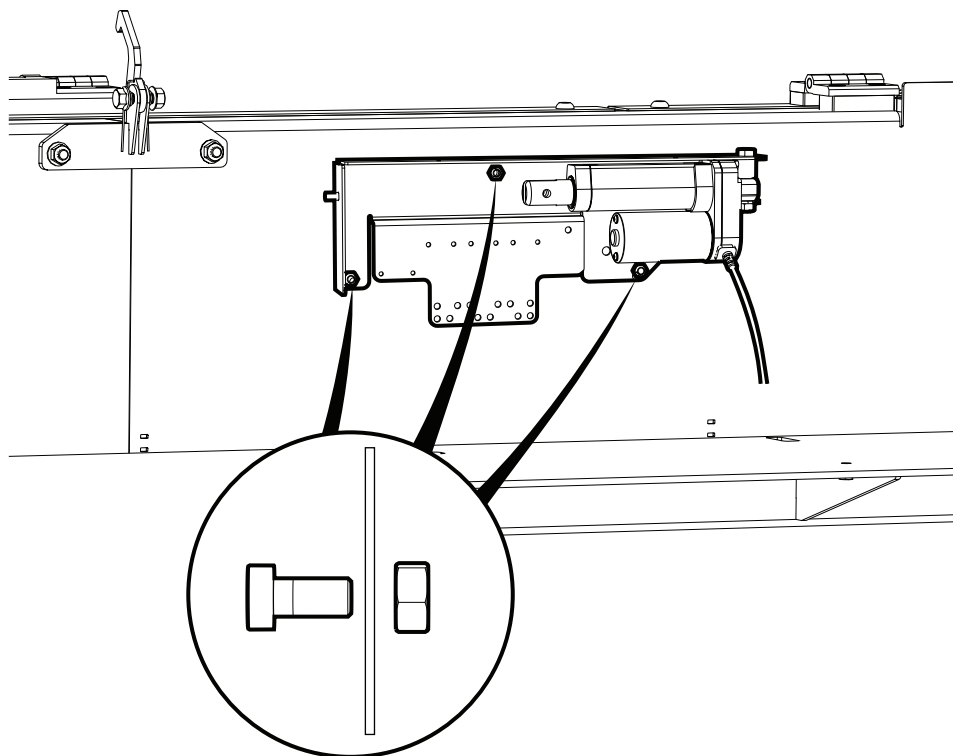
-  1 x – M6x25
-  1 x – M6
-  1 x
-  1 x
-  1 x



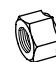
18

 3x – M6x12

 3x – M6




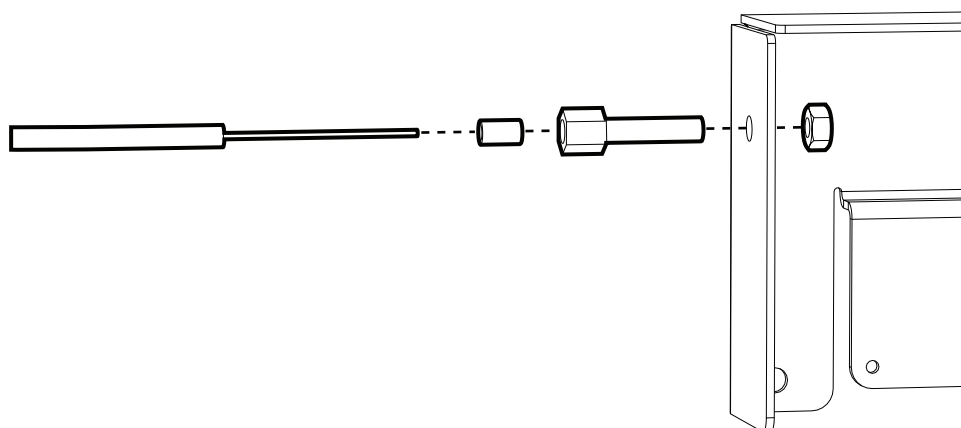
19

 1x – M6

 1x

 1x

 1x – M6x25



20



1 x - M4x8



1 x - M6



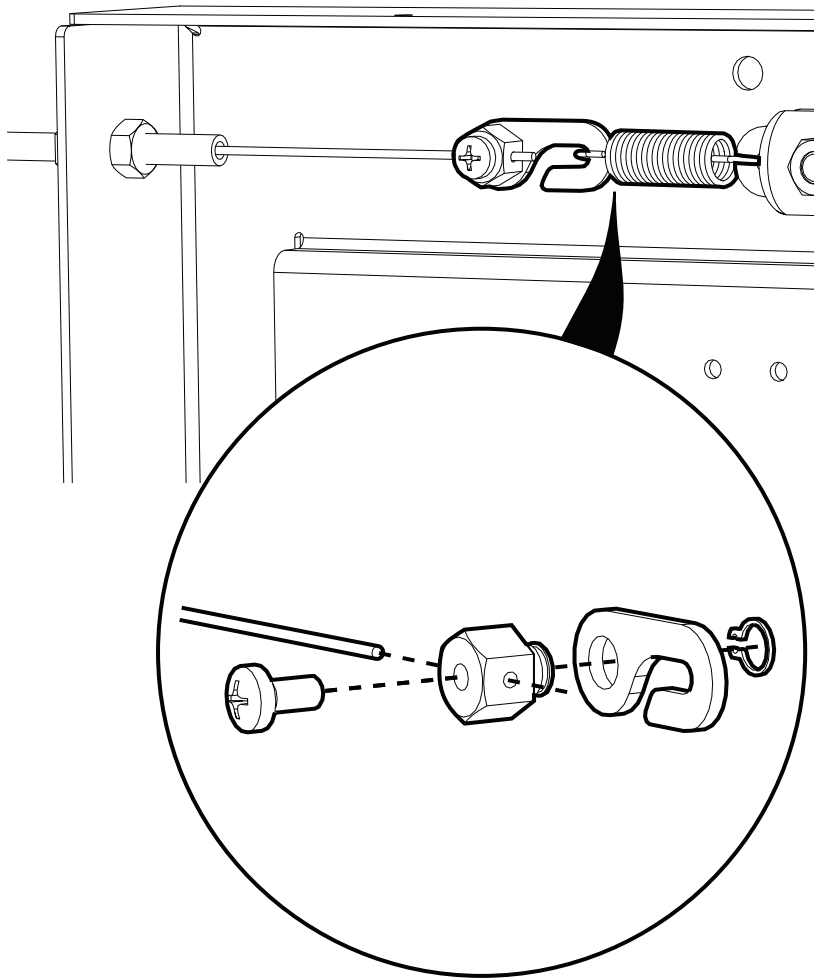
1 x



1 x



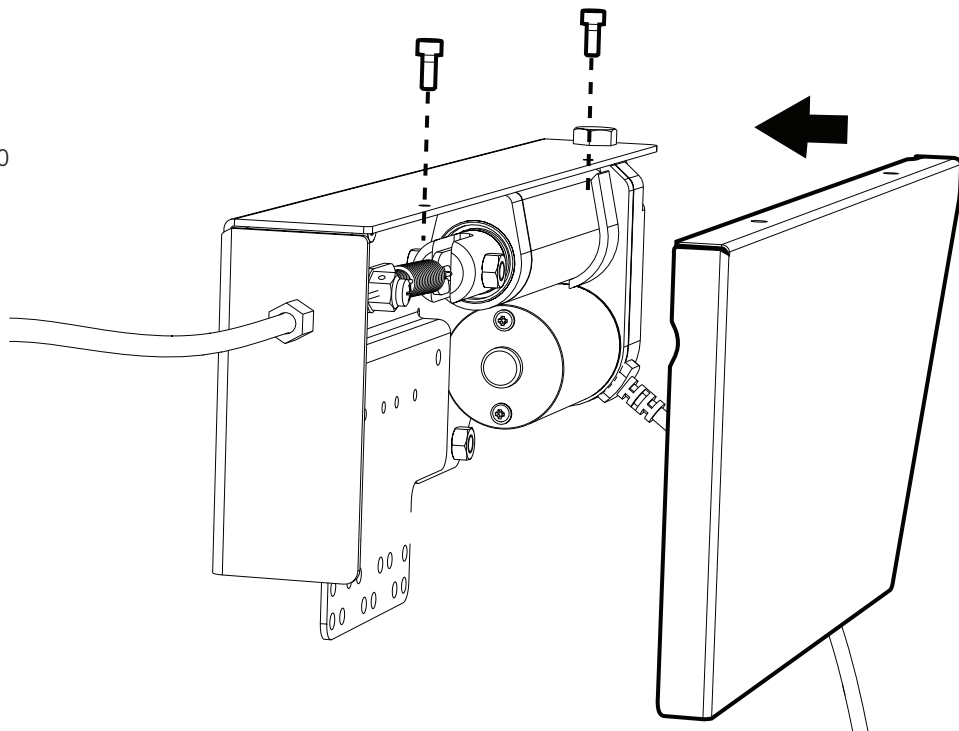
1 x



21



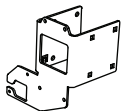
2 x - M4x10



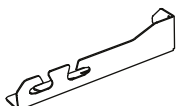
22



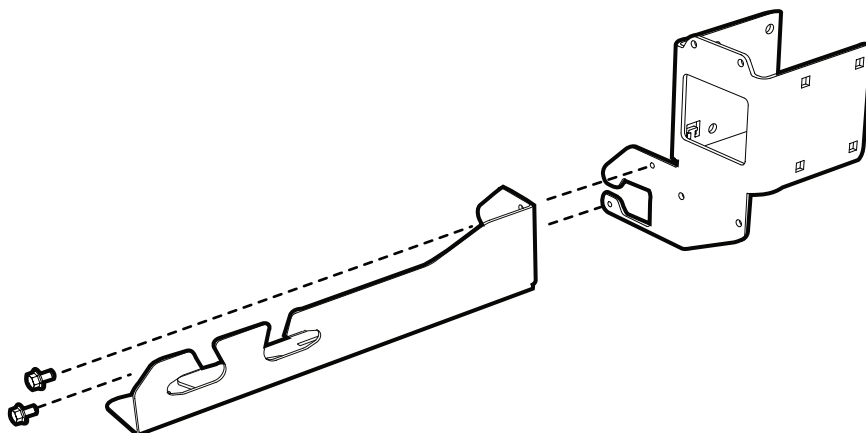
2 x - M6x10



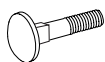
1 x



1 x



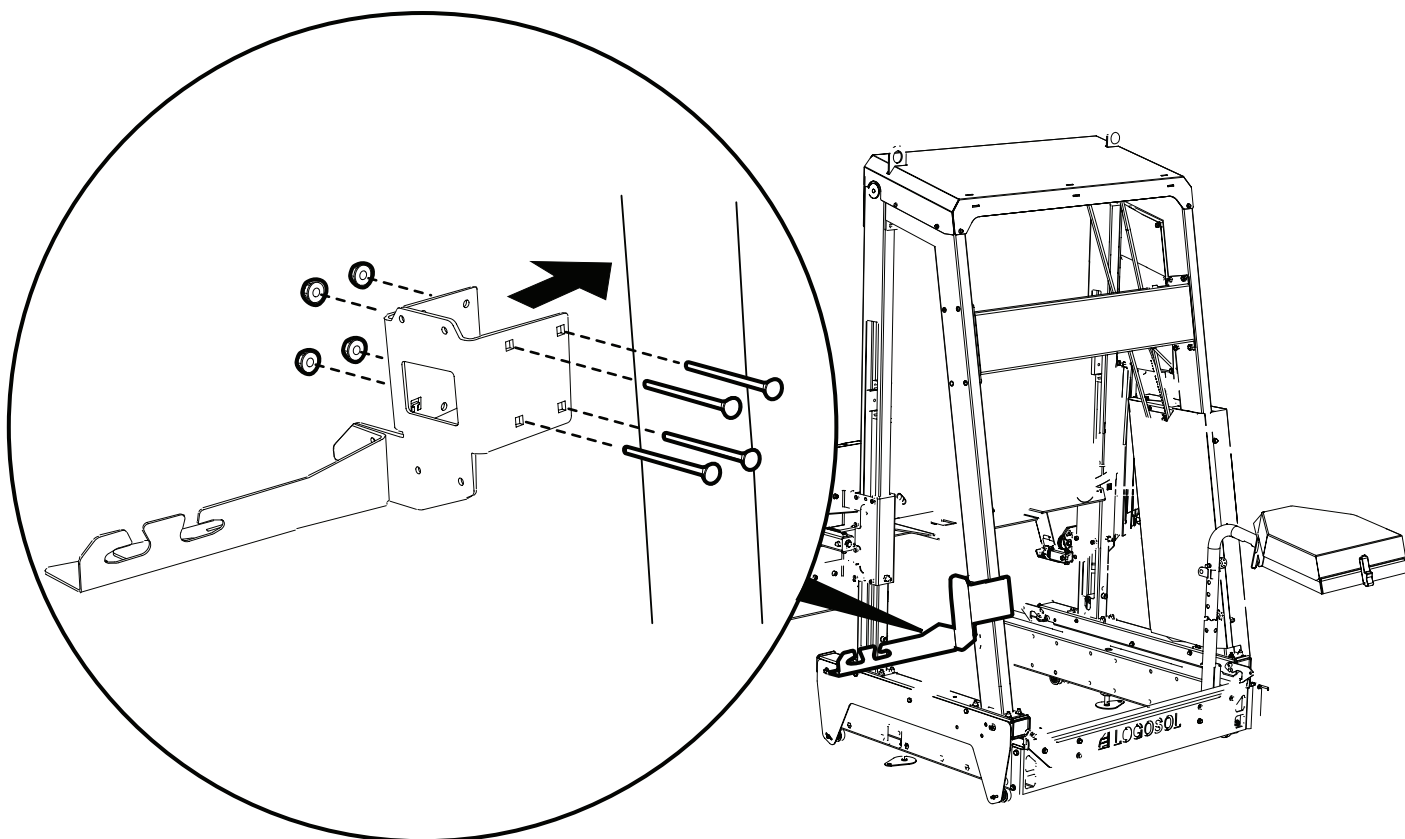
23



4 x - M8x120



4 x - M8



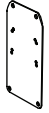
24



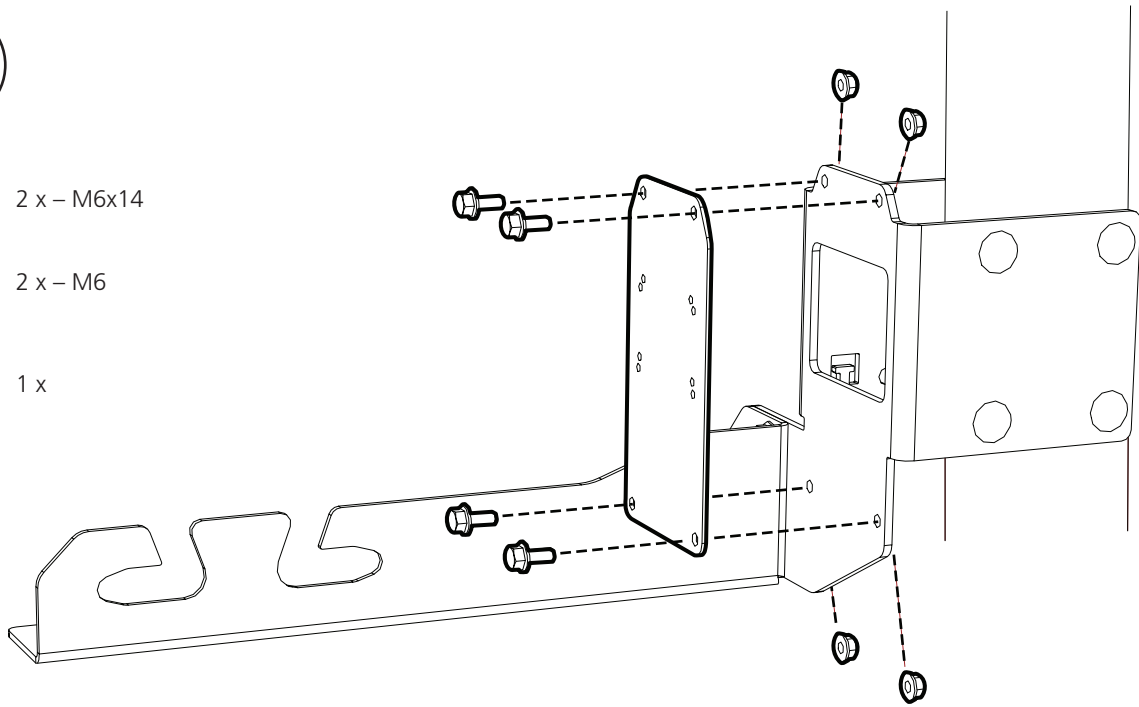
2 x - M6x14



2 x - M6

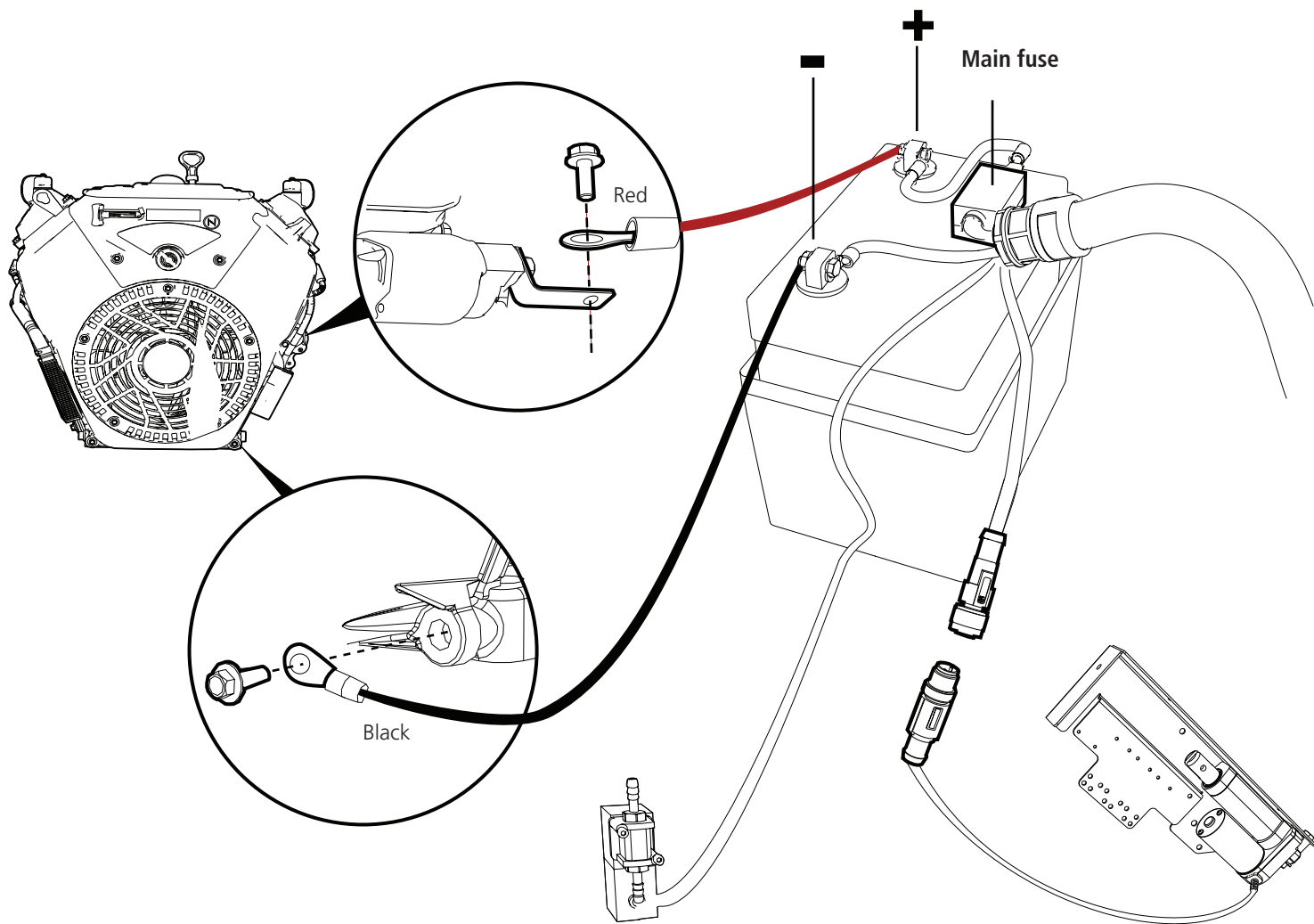


1 x

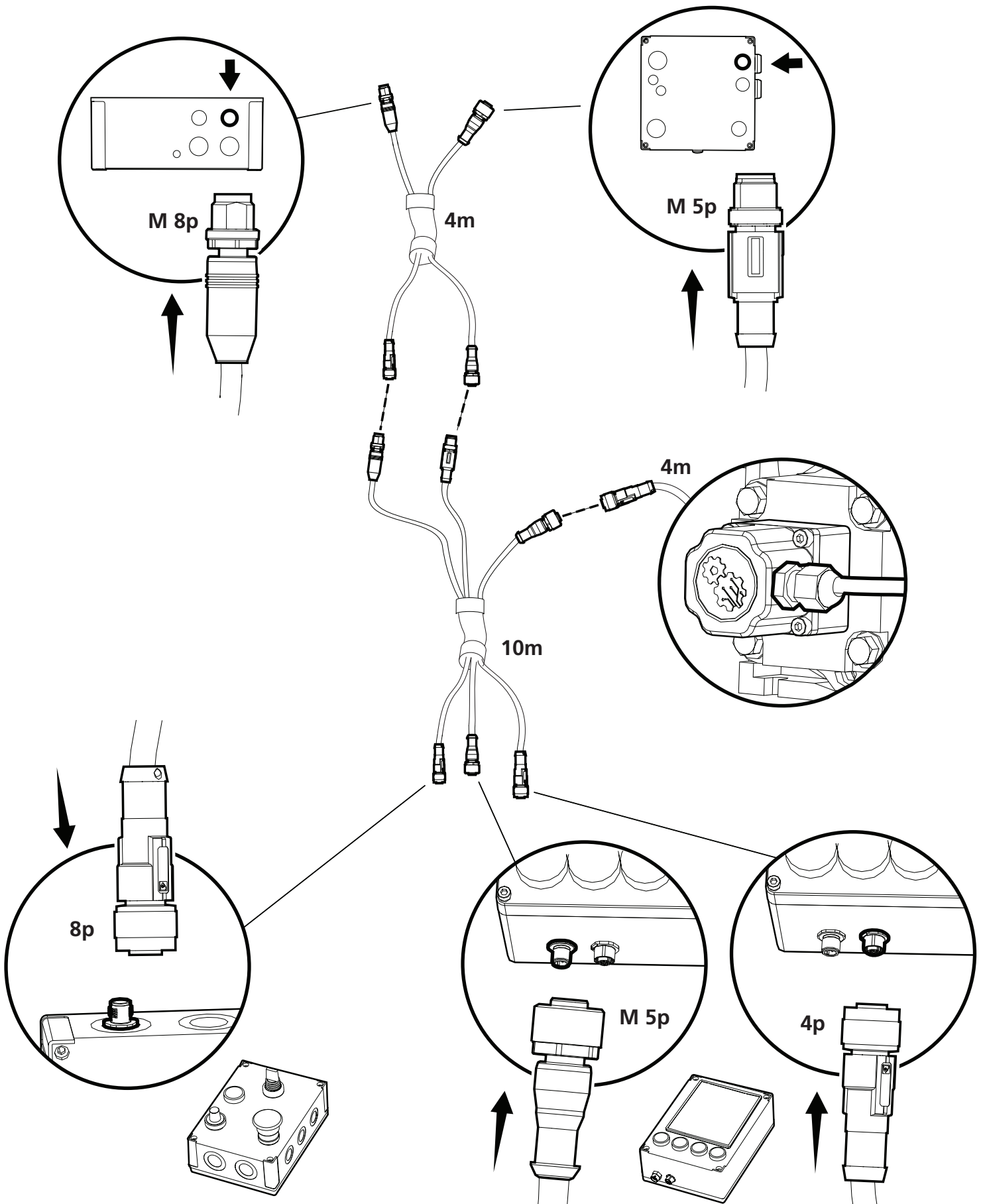


25

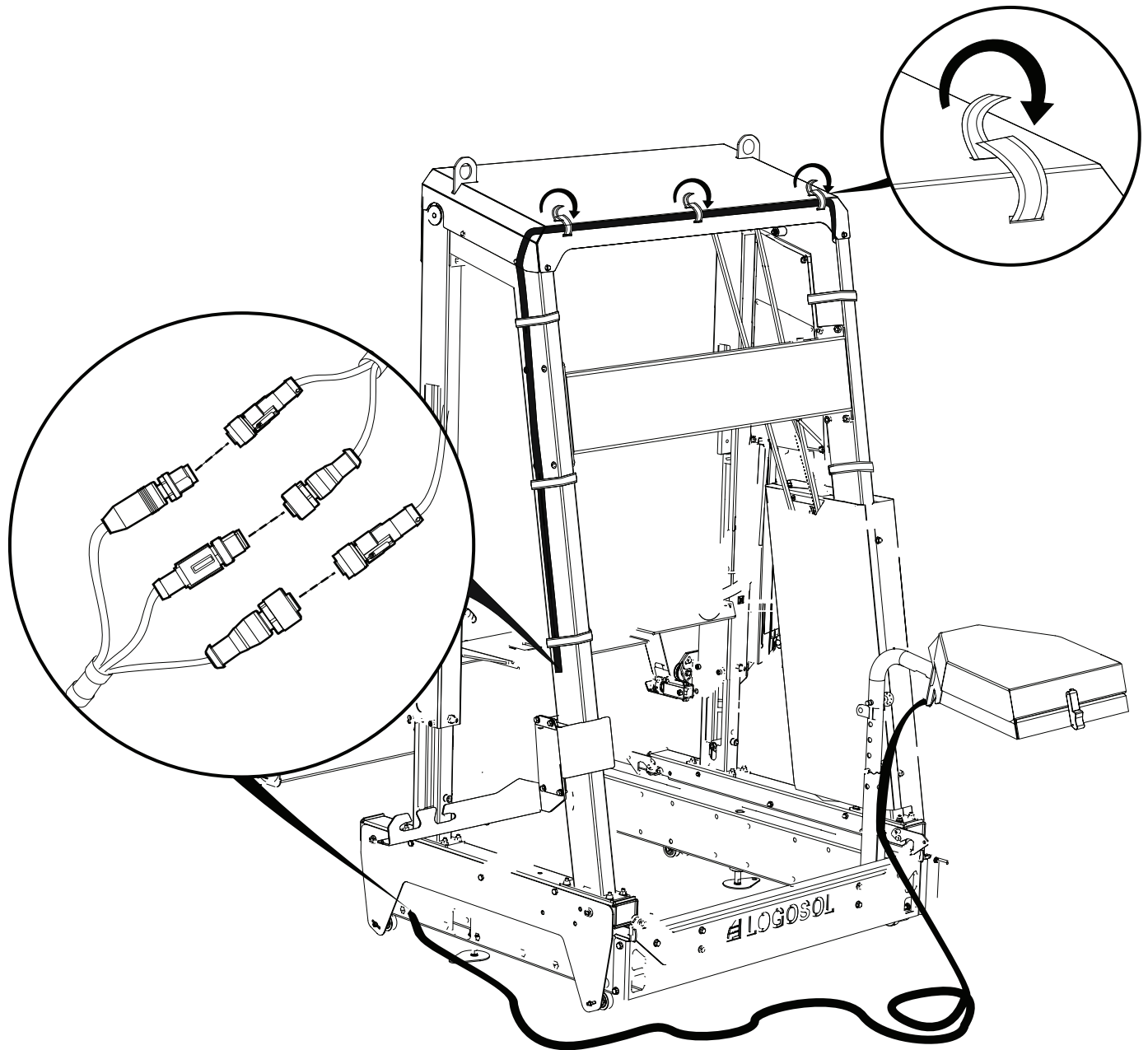
Motormodel might vary, see your motor manual on how to connect it correctly.



CONNECTION OF CABLE TRUNKS



CONNECTION OF CABLE TRUNKS



AT FIRST START-UP

Check before starting

Check that the power supply is working.

Proceed as follows: Run the saw head along the rail with the actuator, listen for noise and ensure that the chain is aligned between the gears.

Check that no physical collision occurs during the first run along the length of the rail. Check that both the cable trunk and the supply cable are suspended in the strain relief.

CONTROL PANEL

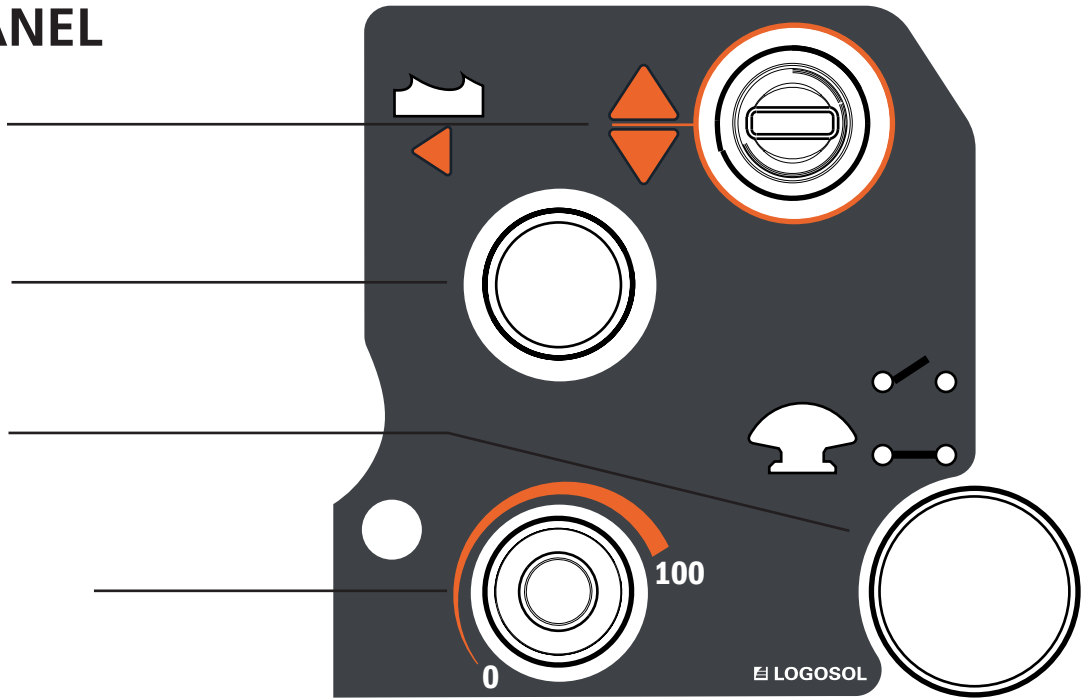
Operating lever

Start saw motor

The motor start is operated in combination with the Safety switch.

Safety switch

Feed speed



TROUBLESHOOTING GUIDE

PROBLEM/SYMPTOM	PROBABLE CAUSE	ACTIONS
The machine does not start.	<ul style="list-style-type: none"> • Loose contacts. • Moisture is present. • Residual current device (RCD) tripped. • Fuses blown in the saw box. 	<ul style="list-style-type: none"> • Try removing the connectors and then reinstalling them. • Disconnect the power and take the box inside, let it dry and blow it out with compressed air. • If an RCD trips, contact an electrician for troubleshooting. • Replace the fuses in the saw box.
Abnormal noises from the mechanism.	<ul style="list-style-type: none"> • Poor alignment on the feed chain. • Insufficient chain tension. • Gearbox wear. • Worn bearings. • Over-tensioned chain. 	<ul style="list-style-type: none"> • Check alignment between the lower and upper lift sprockets. • Check chain tension. • If bearing or gearbox wear is suspected, check for visual wear on the saw head bearings at the secondary shaft and at the gearbox mounting. Run the functions and listen for abnormal noise and feel if heat is building up. If a worn part is discovered, replace it.
The machine runs in the wrong direction.	Phase reversed due to motors being connected to the wrong poles.	<ul style="list-style-type: none"> • Swap the cables on the motor poles.
The machine works but the engine does not run.	<ul style="list-style-type: none"> • The motor is running hot; motor protection has tripped. 	<ul style="list-style-type: none"> • Wait until the motor has cooled and resume operation; the motor must not run hot. If the problem recurs, contact Logosol.



EU declaration of conformity

In accordance with Directive 2006/42/EG, Annex 2A
Logosol AB, Arkivvägen 6, 871 53 Härnösand

herewith declares that **Pro Feed 12V**

has been manufactured in conformity with the
Machinery Directive 2006/42/EG
and the EMC Directive 2014/30/EU

and has been manufactured in conformity with the
following harmonized standards:
EN ISO 12100:2010, EN 60204-1:2018,
EN 50370-1:2005, EN 50370-2:2003.

Notified body, 0404,RISE SMP Swedish Machinery
Testing Institute AB, Box 7035, 750 07 Uppsala,
Sweden, has executed EC type-examination
according to Directive 2006/42/EG, article 12,
paragraph 3b. The EC type examination certificate
has the number: 0404/17/2408

The delivered band sawmill corresponds to the
machine that was subject to EC type-examination.

Härnösand 2024-12-19

A handwritten signature in black ink, appearing to read "R. Berglund".

Robert Berglund, CEO

LOGOSOL

Arkivvägen 6, SE-871 53 Härnösand, SWEDEN
+46 611 182 85 | info@logosol.com | www.logosol.com