

MODEL NUMBER	DESCRIPTION
1541MR-22-201	CRESTHILL 22" MIRROR - WHITE
1541MR-22-242	CRESTHILL 22" MIRROR - LGT GREY

22-IN MIRROR

ITEM #4767924; 4767925

MODEL #1541MR-22-201; 1541MR-22-242

ATTACH YOUR RECEIPT HERE

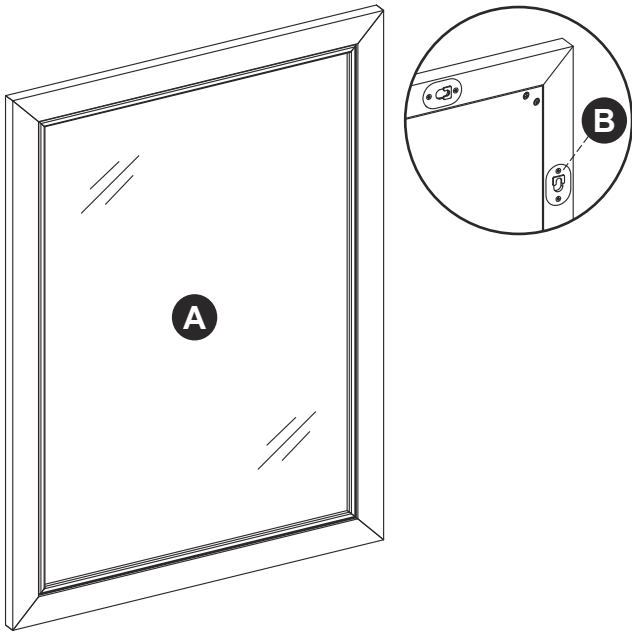
Serial Number _____ Purchase Date _____

Questions, problems, missing parts? Before returning to your retailer, call our customer service department at 866-439-9800, 8 a.m. - 8 p.m., EST, Monday - Sunday.

TABLE OF CONTENTS

Package Contents.....	3
Hardware Contents.....	3
Safety Instructions.....	3
Preparation.....	3
Assembly or Installation Instructions.....	5
Care and Maintenance.....	7
Warranty.....	7
Replacement Parts List.....	7

PACKAGE CONTENTS



PART	DESCRIPTION	QUANTITY
A	Mirror	1
B	Mounting Hanger (preassembled to mirror (A))	4

HARDWARE CONTENTS (NOT SHOWN ACTUAL SIZE)

AA



Anchor
Qty. 2

BB



Screw
Qty. 2

CC



Touch Up Pen
Qty. 1

! SAFETY INSTRUCTIONS

Please read and understand this entire manual before attempting to assemble, operate or install the product.

CAUTION

- Before installation, carefully use scissors or utility knife to cut and unwrap all parts. Make sure you DO NOT discard the hardware.
- Follow these instructions closely, take your time, and use care while assembling this mirror.

KEEP THESE INSTRUCTIONS FOR FUTURE REFERENCE.

PREPARATION

Before beginning assembly of product, make sure all parts are present. Compare parts with package contents list and hardware contents list. If any part is missing or damaged, do not attempt to assemble the product.

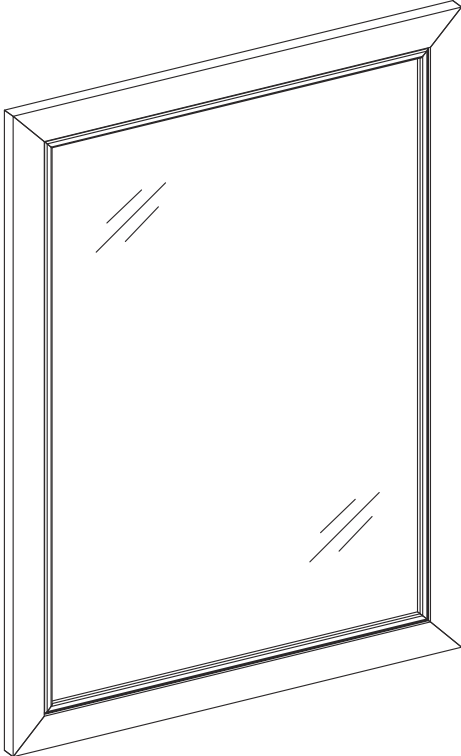
Estimated Installation Time: 10 minutes.

Tools Required for Installation (not included): Phillips screwdriver, utility knife or scissors.

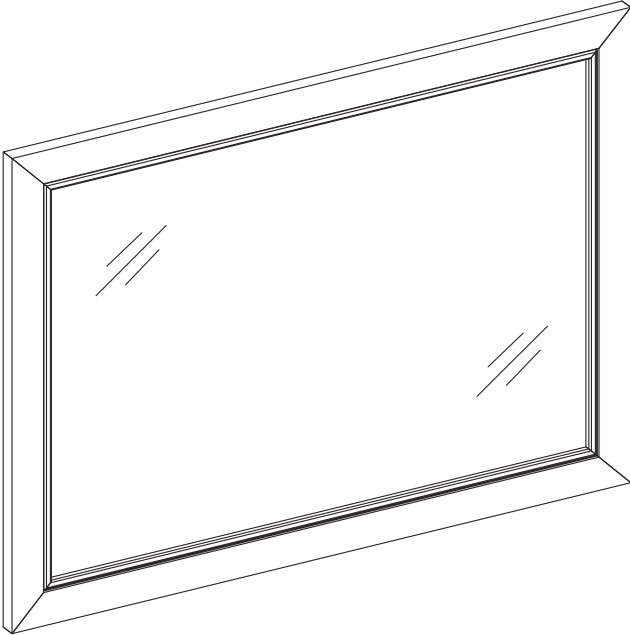
Helpful Tools (not included): Measuring tape, level

BEFORE YOU INSTALL, MAKE A CHOICE!!

OPTION 1: Vertical Mounting.

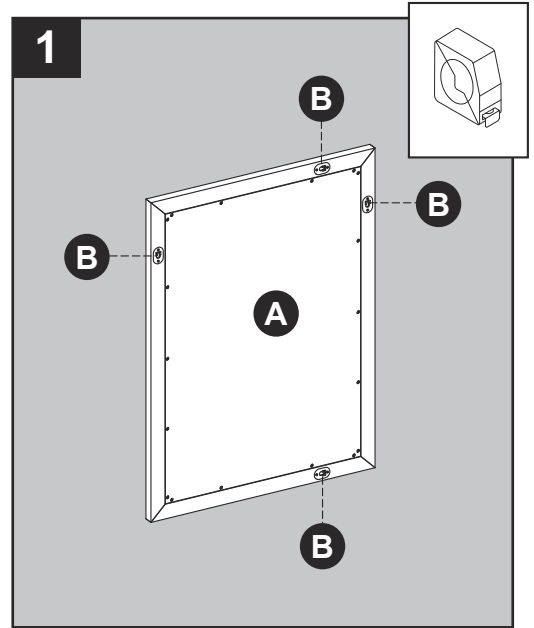


OPTION 2: Horizontal Mounting.



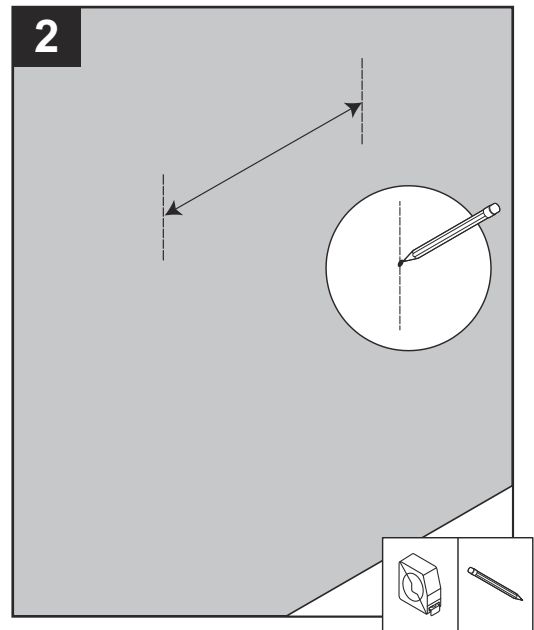
INSTALLATION INSTRUCTIONS

1. Measure the distance between the holes in the mounting hangers (B) on the back of the mirror (A).



2. Measure and mark location for mounting hardware on the wall using the measurement from Step 1. Make sure the marks are level and located at the desired height.

Note: Make sure to allow height clearance along the bottom of the mirror for your faucet if necessary.

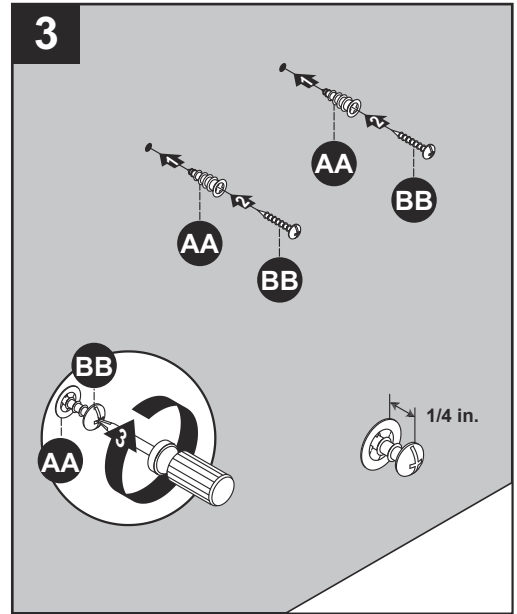


INSTALLATION INSTRUCTIONS

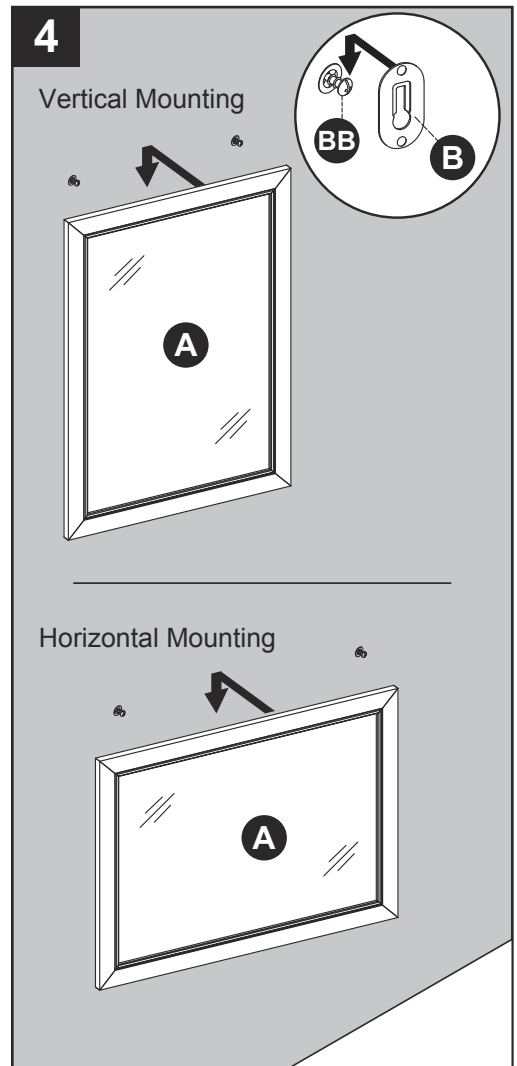
3. If the wall is drywall, there is no need to drill pilot holes for wall anchors (AA). Screw anchors (AA) flush into the wall. Then, insert screws (BB) into anchors (AA), leaving approximately 1/4 in. protruding out from the wall. If the wall is not drywall, please choose appropriate mounting hardware (not included) for your installation site, and follow the installation instructions to secure the mounting hardware to the wall.

Hardware Used

AA	Anchor		x 2
BB	Screw		x 2



4. With the assistance of another adult, lift mirror (A) to the wall and hang mounting hangers (B) on screws (BB).



CARE AND MAINTENANCE

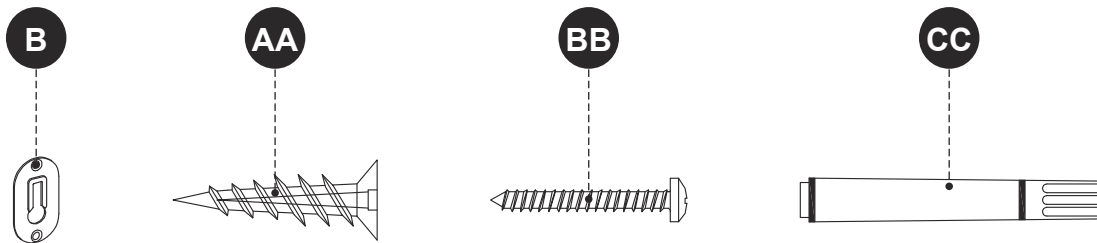
- Dust the frame regularly with a soft, non-lint producing cloth or household dusting product.
- You can clean the mirror frame with a gentle, non-abrasive household cleaner.
- Make sure to dry the wood immediately with a soft cloth or towel.
- The glass can be cleaned using standard household glass cleaning agents.
- Tips for using touch-up pen (CC): For scratches, stroke in direction of scratch; for worn areas, stroke in direction of wood grain. Rub off excess colorant promptly with a soft cloth.

WARRANTY

The manufacturer warrants this item against defects in materials and workmanship for a period of one (1) year from the date of original retail purchase. This warranty applies only to the original purchaser. This warranty does not apply to any damage on the product by accident, misuse, or modified, improper installation or by affixing accessories not produced by the manufacturer. The manufacturer is not accountable whatsoever for product installation during the warranty period. There is no further expressed warranty. The manufacturer shall not be legally responsible for incidental, consequential or special damages arising at or in connection with product use or performance except as may otherwise be accorded by law. The manufacturer disclaims any and all implied warranties.

REPLACEMENT PARTS LIST

For replacement parts, call our customer service department at 866-439-9800, 8 a.m. - 8 p.m., EST, Monday - Sunday.



PART	DESCRIPTION	PART#
B	Mounting Hanger	PU16-1.75x1-MH
AA	Anchor	
BB	Screw	
CC	Touch-up Pen (1541MR-22-201)	OF-0010
	Touch-up Pen (1541MR-22-242)	OF-0120R