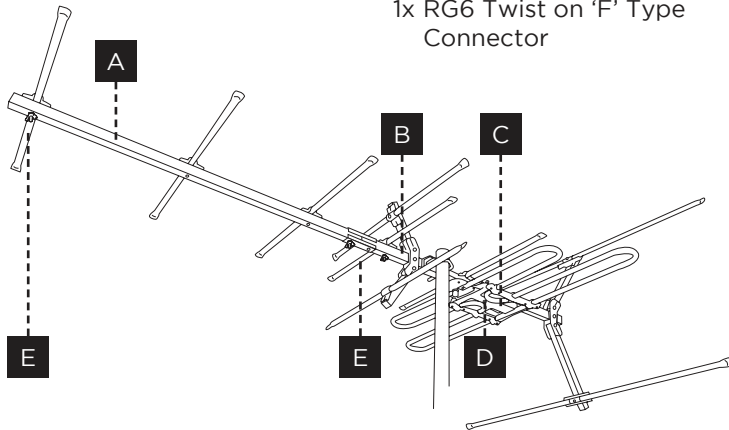


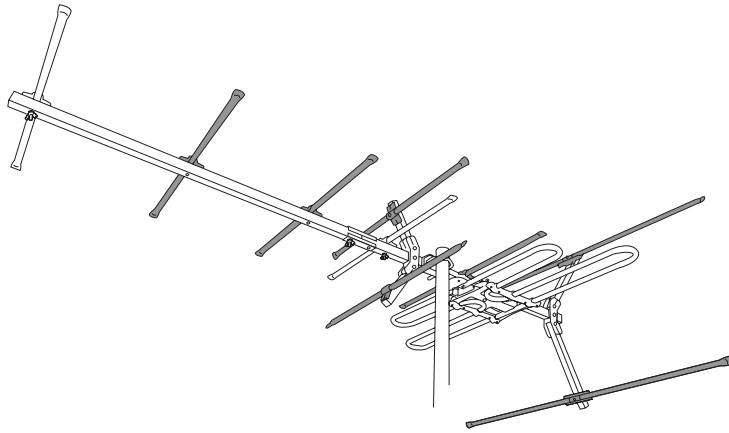
For the Best

03MM-DC21V INSTRUCTION MANUAL

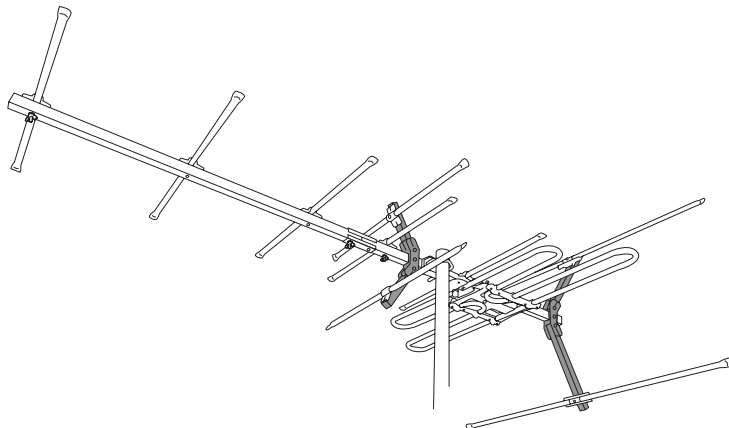
- | | |
|----------------------------------|--|
| A. 1x Front 684mm Boom | 1x 1/4"x18G Flat Washer |
| B. 1x Back 778mm Boom | 1x 1/4" Spring Washer |
| C. 1x G-unit with Built-in Balun | 1x 1/4" Wingnut |
| D. 1x 1/4"x1.5" Bolt | 1x 3/16"x1.5" Philips/Flathead Head Bolt |
| E. 2x520mm Swivel Lock Element | 1x 3/16" Spring Washer |
| | 1x 3/16" Wingnut |
| | 1x Rubber Boot Seal |
| | 1x RG6 Twist on 'F' Type Connector |



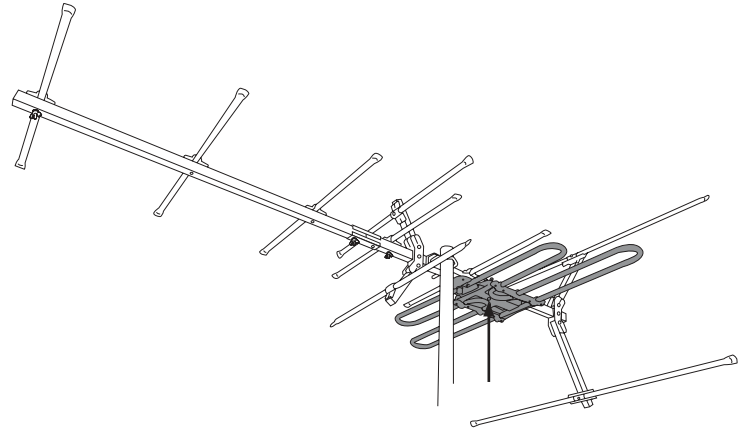
1) Snap out two riveted swivel lock elements located on the front 684mm boom and five riveted swivel lock elements situated on the back 778mm boom.



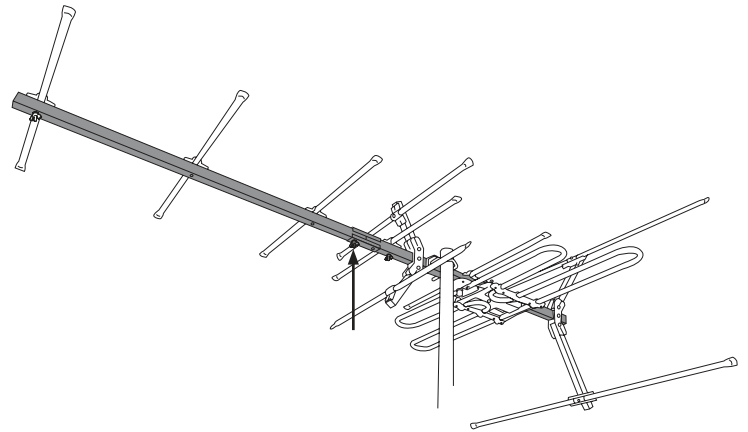
2) Snap out front and back corner reflectors located on the back 778mm boom.



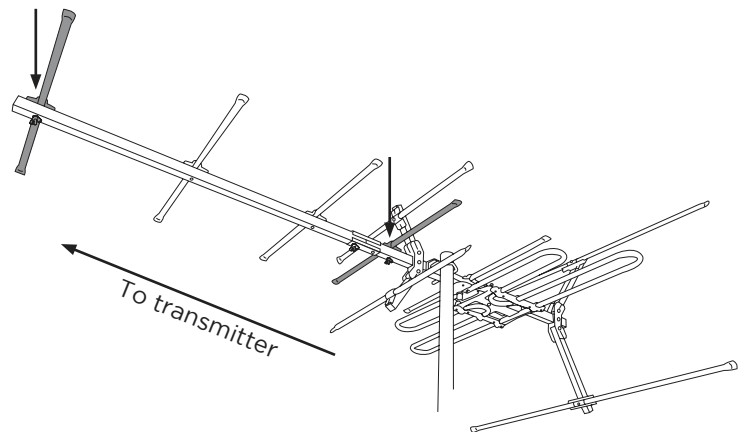
3) Attach the G-unit to the back 778mm boom underbody, lining up the pre-drilled holes located on the G-unit and boom. Bolt these two units together using the 1/4" bolt, flat washer, spring washer and wingnut provided in the small plastic bag. Make sure you install the flat washer, spring washer and wingnut on top of the boom body.



4) Join the front 684mm boom to the back 778mm boom using the 3/16" Philips/flathead bolt, spring washer and wingnut provided in the small plastic bag. Make sure you install the spring washer and wingnut on the underbody of the boom body.



5) Install the two 520mm swivel lock elements included to the top of the booms using the pre-drilled holes located at the front and middle of the joining booms.



6) Attach the antenna to the mast using the U-bolt and point to your nearest transmitter. Slide the rubber boot seal into your coaxial cable and attach the connector provided, then connect to the antennas balun. Fix the coaxial cable down the mast using UV grade insulation tape and cable ties.

