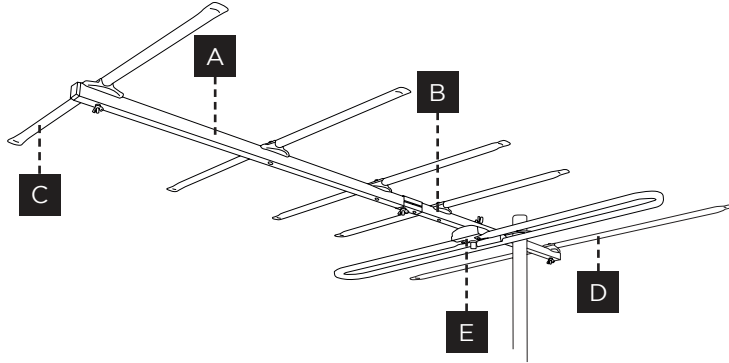
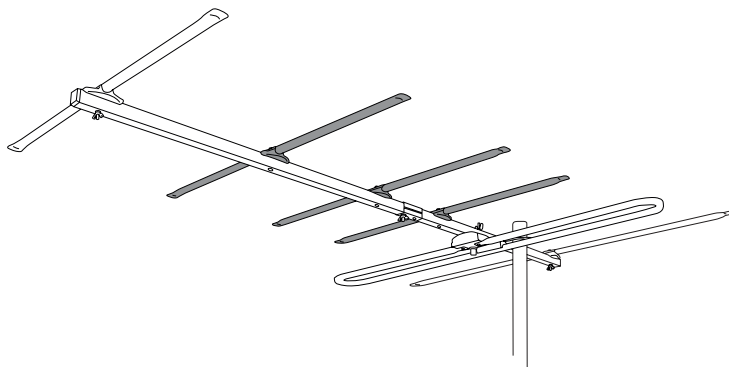


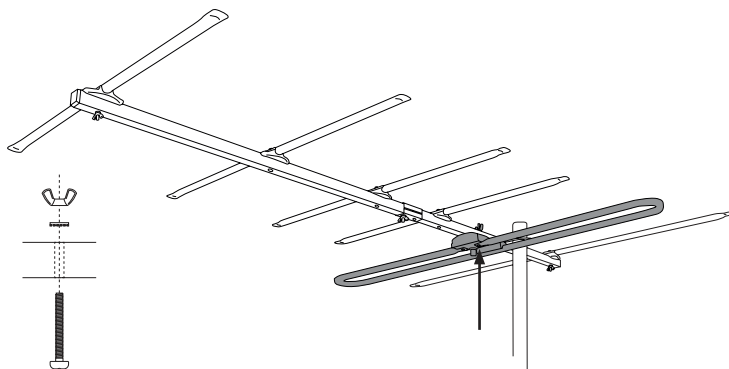
03MM-DR3006 INSTRUCTION MANUAL



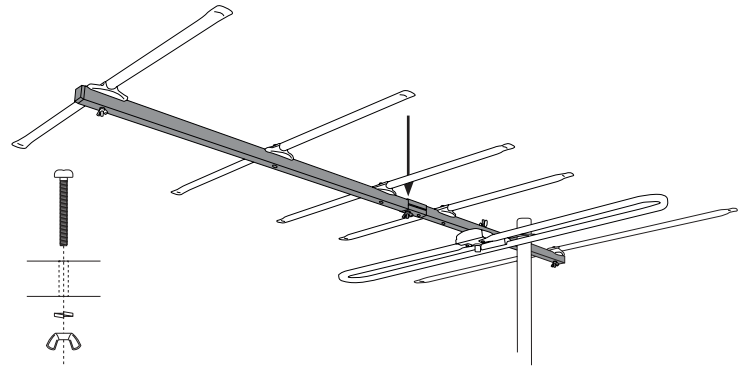
- | | |
|---------------------------------|------------------------------------|
| A. 1x Front 630mm Boom | 1x M5 Wingnut |
| B. 1x Back 558mm Boom | 1x 3/16"x1.25" Philips Head Screw |
| C. 1x 532mm Swivel Lock Element | 1x 3/16" Spring Washer |
| D. 1x 900mm Swivel Lock Element | 1x 3/16" Wingnut |
| E. 1x Dipole with Balun | 1x Rubber Boot Seal |
| 1x M5x1.75" Bolt | 1x RG6 Twist on 'F' Type Connector |
| 1x M5 Star Washer | |



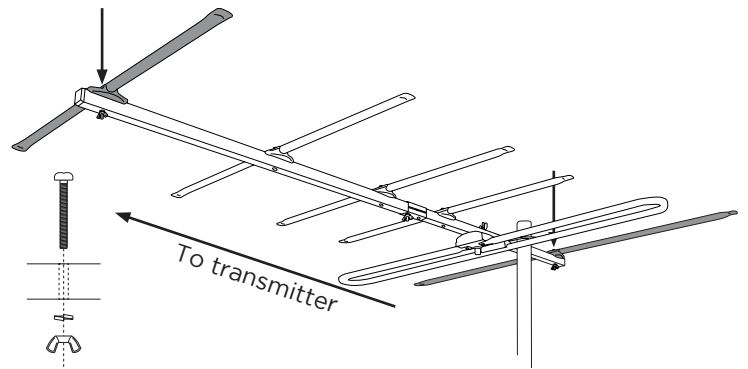
1) Snap out the two riveted swivel lock elements on the front 630mm boom and one on the back 558mm boom.



2) Attach the dipole to the back 558mm boom underbody, lining up the pre-drilled holes located on the dipole and boom. Please ensure dipole is installed with balun towards the front of the antenna. Bolt these two units together using the M5 bolt, star washer, and wingnut provided in the small plastic bag. Ensure you install the star washer and wingnut on top of the boom body.



3) Rotate the front and back booms, so the riveted swivel lock elements are on top of the front and back boom. Join the front 630mm boom to the back 558mm boom using the 3/16" Philips head screw, spring washer and wingnut provided in the small plastic bag. Make sure you install the spring washer and wingnut on the underbody of the boom body.



4) Install the front 532mm swivel lock element to the front 630mm boom located at the front and 900mm swivel lock element to the top of the back 558mm boom using the pre-drilled hole situated at the back.

5) Attach the antenna to the mast using the U-bolt and point to your nearest transmitter. Slide the rubber boot seal onto your coaxial cable. Strip the coaxial cable, attach the connector provided, and connect to the antennas balun. Fix the coaxial cable down the mast using UV grade insulation tape and cable ties.



**SCAN TO WATCH
SETUP VIDEO**