



# MAXIMA

## ICE CUBE MAKER



### USER MANUAL

### GEBRUIKSHANDLEIDING

BEFORE USING THIS PRODUCT YOU SHOULD READ THIS USER MANUAL PROPERLY

ALVORENS U DIT PRODUCT IN GEBRUIK GAAT NEMEN DIENT U EERST AANDACHTIG DEZE  
GEBRUIKSHANDLEIDING DOOR TE LEZEN





## ENGLISH

### Introduction

Thank you for purchasing this Maxima product. In order to obtain the maximum benefit and safe use of this product, please read these instructions completely before attempting to install or use this product.

Your new Maxima product is manufactured with advanced production techniques. Every product is inspected before shipment and tested to ensure operator safety and product quality. All parameters have reached or exceeded the national standard.

The Maxima Ice Maker range provides consistent quality ice cubes for use in food or beverages.

At Maxima we are very proud of our products and are completely committed to providing you with the best products and service possible. Your satisfaction is our number one priority.

We know you will enjoy using this product and Thank You for choosing our product. We hope you consider Maxima for your future equipment purchases.

## NEDERLANDS

### Introductie

Bedankt voor het aanschaffen van dit Maxima product. Deze instructies dienen volledig gelezen te worden voordat u dit product gaat installeren of gebruiken. Op deze manier kunt u optimaal en veilig van dit product gebruik maken.

Uw nieuwe Maxima product is geproduceerd met geavanceerde productietechnieken. Elk product wordt voor verzending geïnspecteerd en getest om veiligheid en betrouwbaarheid te kunnen waarborgen. Alle parameters voldoen volgens de nationale standaarden.

De Maxima Ice Maker serie produceert ijsblokjes van consistente kwaliteit voor gebruik in voedsel of dranken.

Bij Maxima zijn wij erg trots op onze producten en zijn volledig gecommitteerd om u van de beste producten en service te voorzien. Uw tevredenheid is onze nummer 1 prioriteit.

Wij weten dat u met plezier dit product zal gaan gebruiken en bedanken u voor uw keuze. Wij hopen dat u Maxima in gedachten houdt bij toekomstige aanschaf van apparatuur.



ENGLISH

## Specifications

Model	Production (kg/24h)	Ice Storage (kg)	Power Input	Dimensions (mm)	Weight (kg)	Inside Material	Casing Material
M-ICE 15B	15	0.8	230v / 50hz 110w	370x335x280	10	ABS + PC	ABS
M-ICE 24	24	5	230v / 50hz 200w	330x470x580	21	ABS	18/8 Stainless Steel
M-ICE 28	28	7	230v / 50hz 240w	398x510x610	26	ABS	18/8 Stainless Steel
M-ICE 45	45	7	230v / 50hz 280w	398x510x610	28	ABS	18/8 Stainless Steel
M-ICE 60	60	14	230v / 50hz 320w	398x510x785	33	ABS	18/8 Stainless Steel
M-ICE 80	80	25	230v / 50hz 420w	500x612x908	48	ABS	18/8 Stainless Steel
M-ICE 100 A	100	55	230v / 50hz 650w	760x690x1105	70	ABS	18/8 Stainless Steel
M-ICE 30 FLAKE	30	7	230v / 50hz 215w	330x470x580	28	ABS	18/8 Stainless Steel
M-ICE 50 FLAKE	50	10	230v / 50hz 230w	398x542x716	43	ABS	18/8 Stainless Steel
M-ICE 85 FILAKE	85	20	230v / 50hz 430w	398x510x832	46	ABS	18/8 Stainless Steel
M-ICE 130 FLAKE	130	30	230v / 50hz 470w	500x612x960	52	ABS	18/8 Stainless Steel
M-ICE 24W	24	5	230v / 50hz 200w	330x470x580	21	ABS	18/8 Stainless Steel
M-ICE 45W	45	7	230v / 50hz 280w	398x510x610	28	ABS	18/8 Stainless Steel
M-ICE 30 FLAKE W	30	7	230v / 50hz 215w	330x470x580	28	ABS	18/8 Stainless Steel
M-ICE 50 FLAKE W	50	10	230v / 50hz 230w	398x542x716	43	ABS	18/8 Stainless Steel
M-ICE 85 FLAKE W	85	20	230v / 50hz 430w	398x510x832	46	ABS	18/8 Stainless Steel

## Safety Regulations

- The machine may only be used for the purpose for which it was intended and designed. The manufacturer is not liable for any damage caused by incorrect operation and improper use.
- This machine may only be used for its intended purpose: **Making ice cubes or flakes.**
- Keep the machine and electrical plug away from water and any other liquids. In the unlikely event that the machine should fall into water, immediately pull the plug out of the socket and have the machine checked by a certified technician. **Not following these instructions may cause life-threatening situations.**
- The device is to be used indoors only.
- Do not move the appliance while operational.



- Do not cover or place objects on top of the appliance when its operating.
- Never try to open the casing of the machine yourself.
- Do not insert any objects in the casing or openings of the machine.
- Do not touch the power plug with wet or damp hands.
- Do not use the machine after it has fallen or is damaged in any other way. Have it checked and repaired by a certified engineer.
- Do not try to repair the machine yourself. **This may cause life-threatening situations.**
- Make sure the cord does not come in contact with sharp or hot objects and keep it away from open fire. To pull the plug out of the socket, always pull on the plug and not on the cord.
- Keep the cable away from operating range. Do not lay over carpets or heat insulation and do not cover the cable.
- Always keep an eye on the machine when in use.
- Never put your hands near the moving parts of the machine.
- Never let children use professional machines without supervision.
- Always pull the power plug out of the socket when the machine is not being used.
- The maximum temperature of water inlet do not over 38 °C
- Ensure the water pressure of the connected water supply is between 0.1Mpa to 0.8Mpa.
- The separate three-pole socket should be used and it must be grounded.
- **ATTENTION!** As long as the power plug is in the socket the machine is connected to the power source.
- Keep all packaging away from children. Dispose of packaging in accordance to the regulations of local authorities.
- Turn off the machine before pulling the power plug out of the socket.
- Never try to move or carry the machine by the power cord.
- Do not use any extra devices that are not supplied along with the machine.
- Avoid overloading the machine.
- Do not place the machine on its side, upside-down or tilt the appliance more than 45° from the vertical. Also not while the appliance is being transported.
- The electrical installation must satisfy the applicable national and local regulations.
- Change the water regularly to ensure good quality ice cubes. (M-ICE 15 only)



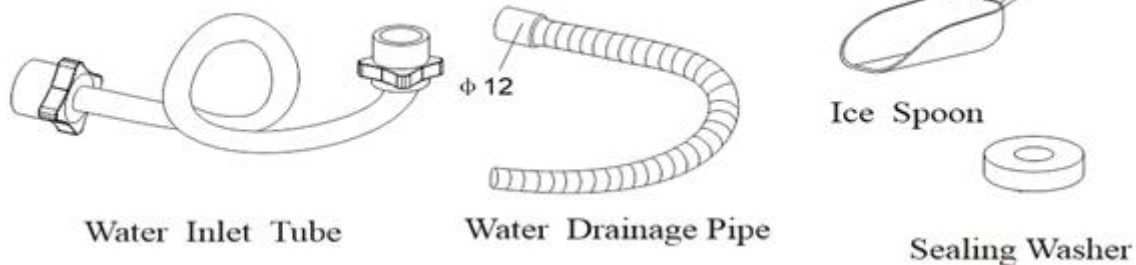
**Warning; Risk of fire / flammable materials**



## First Time Use

- Unpack and inspect your machine immediately after receipt. If there are any latent defects or damage to the machine then immediately contact your dealer. Save all packaging materials in case the machine needs to be returned or for inspection by the freight carrier.
- Remove any protective film from all surfaces.
- Read this instruction manual completely before attempting to install and operate this product. All installations and set ups must be done by authorized service agents, your dealer, or Maxima representatives.
- The machine must be positioned on a flat surface with sufficient space around the machine to allow for easy access, cleaning and proper ventilation.
- Level and position the machine in such a way that the plug is accessible at all times.
- If your machine is supplied with a factory fitted molded plug then you may plug the unit into a standard electrical outlet. Make sure that the voltage of the machine and the wall outlet are compatible. If your machine is not supplied with a factory fitted molded plug then a qualified electrical technician must be contracted to wire the unit to the power supply.
- Before using your machine for the first time it is recommended that the exterior of the machine is wiped down with a damp cloth, and the work surfaces, attachments or attributes are cleaned using a food safe cleaning detergent and rinsed with warm water. After cleaning, wait for appliance to dry completely.

### M-ICE Series Accessories



## Installation

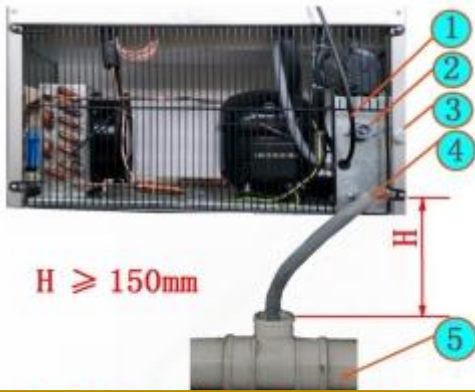
1. Remove the Ice Spoon, Water Inlet Tube, Water Drainage Pipe and Sealing Washers from the ice storage cabinet. (does not apply for M-ICE 15)
2. Choose a surface where the ice maker is not exposed to direct sunlight, or close to a direct source of heat such as a cooker, oven or radiator.
3. When placing the ice maker, make sure the power cable is accessible at all times.
4. When positioning the Ice Maker, maintain a distance of 10cm (4 inches) between the appliance and walls or other objects for ventilation. Increase this distance if the obstacle is a heat source.
5. If necessary, adjust the screw legs to level the machine. The Ice Maker may operate less efficiently if not level.
6. Set up the device near a water supply connection. (does not apply for M-ICE 15)

7. Connect one end of the water drainage pipe to the water outlet at the rear of the Ice Maker. Attach the other end of the pipe to a water sewage pipe or container suitable for collecting waste water. (does not apply for M-ICE 15)
8. Connect one end of the water inlet tube to the machine and the other end to your **fresh** water supply. Make sure to put sealing washers in both ends of the tube before connecting them. (does not apply for M-ICE 15)
9. After placement, leave the appliance in its current position for at least an hour to let the refrigerant precipitate. After this period, plug in the power cable.
10. When the appliance is moved to another location it needs time to acclimatize. (the appliance needs to adjust to the change in temperature). Allow the appliance to do so for several hours. The ambient temperature should not be below 6 °C.

► **SPECIAL GUIDENCE FOR WATER DRAINAGE PIPE CONNECTING.**

1. Please refer to following picture when you connecting the water drainage pipe.

The correct connecting show as the below picture:



① Power cable.

② Water inlet connector.

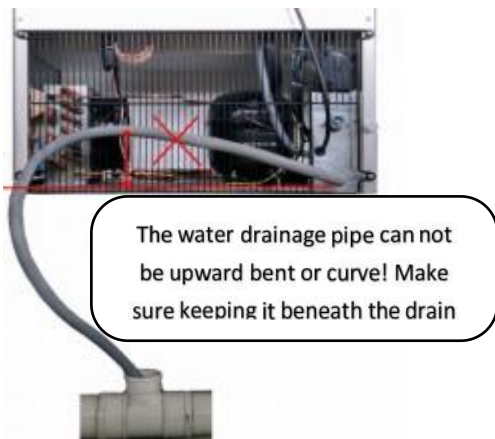
③ Drain water screw nut.

④ Water drainage pipe.

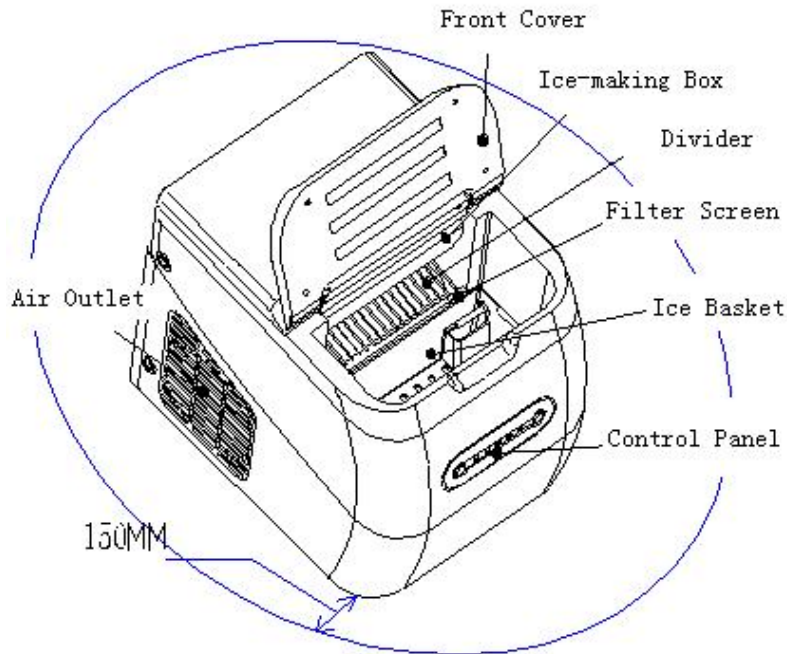
⑤ Floor drain.

Keep the drain connector 150mm above the floor drain(5)

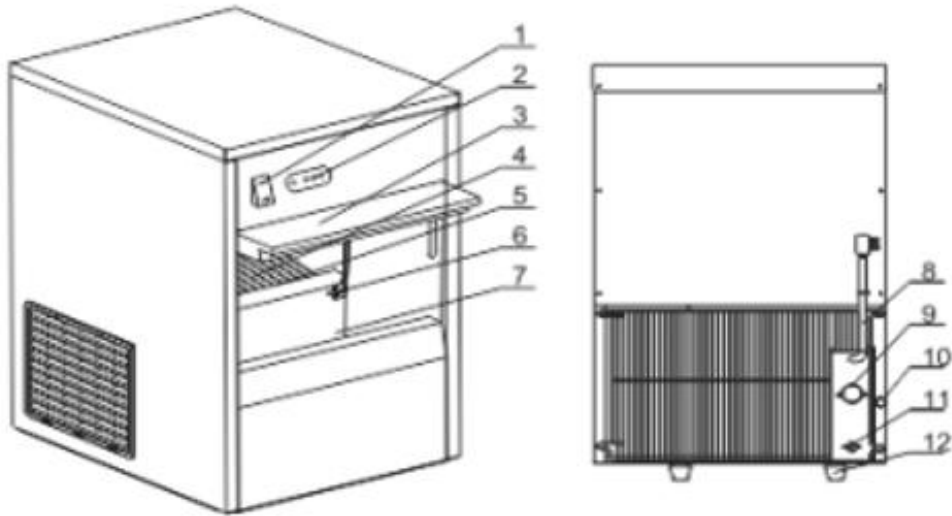
2. The incorrect connecting showing as below picture.



M-ICE 15 Structure



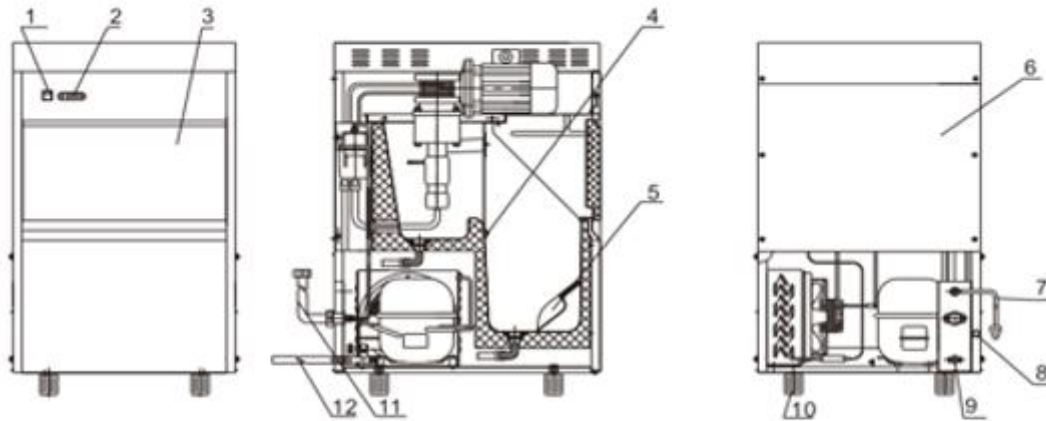
M-ICE SERIES STRUCTURE



- 1. Switch
- 2. Display Panel
- 3. Door
- 4. Shelf
- 5. Water Reservoir
- 6. Ice Full Sensor

- 7. Ice Reservoir
- 8. Power Cable
- 9. Water Inlet Connector
- 10. Screw for Drainage
- 11. Water Outlet Connector
- 12. Foot

### M-ICE FLAKE SERIES STRUCTURE



- 13. Switch
- 14. Control Panel
- 15. Door
- 16. Temperature Sensor

- 17. Ice Shovel
- 18. Back Panel
- 19. Power Cable
- 20. Drainage Plug

- 21. Water Outlet Tube
- 22. Adjustable Foot
- 23. Water Inlet Tube
- 24. Drainage Tube

#### Operation

**Notice: Must check the rated current which is marked on the nameplate. The wires connecting in the power socket cross section area (mm<sup>2</sup>) must conformity by follow list:**

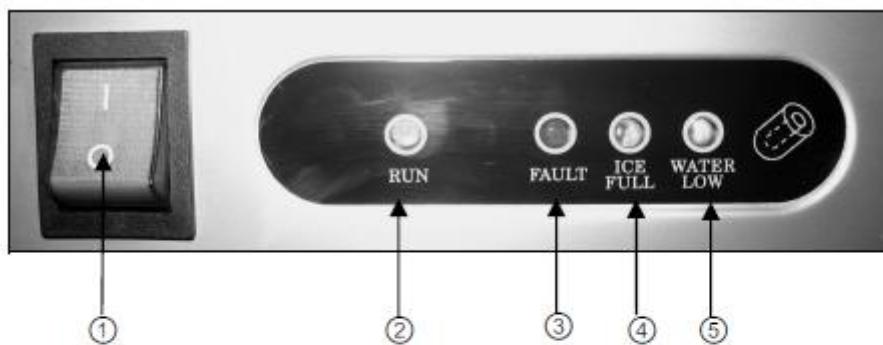
Rated current of appliance(A)	Normal cross-sectional area mm <sup>2</sup>
>0.2 and ≤ 3	0.5
>3 and ≤ 6	0.75
>6 and ≤ 10	1.0
>10 and ≤ 16	1.5

- Plug the power plug into the main socket.
- Use the “ON/OFF” button, which is located on the control panel at the front of the appliance to start the appliance. The red indicator will light up and the production of ice cubes will begin. The first time the machine is switched on it will perform a self-inspection, this will take approximately 5 minutes.
- The “RUN” indicator will not immediately light up when you switch on the machine for the first time, it will light up when the compressor is operational.
- Remove the ice basket and fill the water reservoir until it reaches the “MAX” marker. (M-ICE 15 only)
- Choose ice cube size using the “Select” button. The indicators on the control panel will display which size is selected; “S” (small), “M” (medium), “L” (large). (M-ICE 15 only)
- **ATTENTION:** When using the Ice Maker for the first time (or after a long period of inactivity) please discard the first two batches of ice. This process will clean the internal system and ensure clean ice cubes.



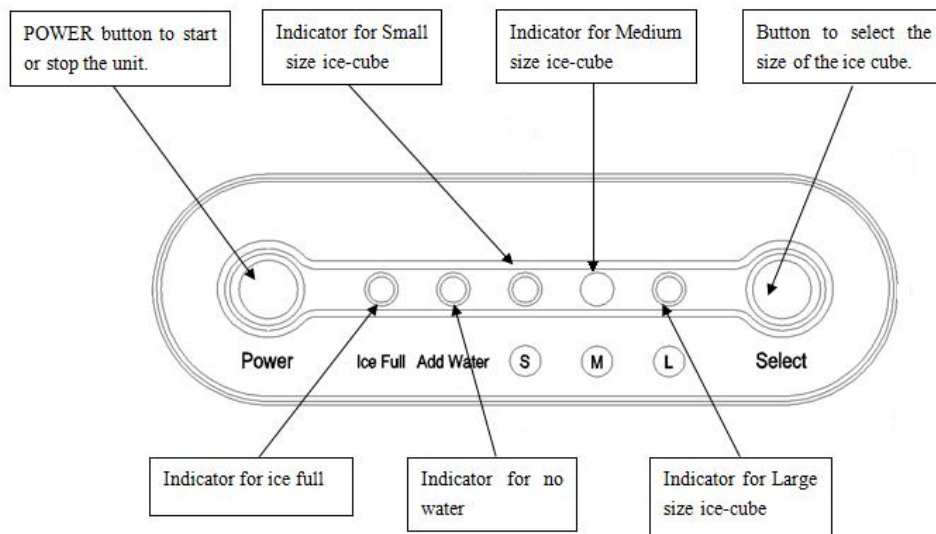
- As soon as the ice storage container is full, the “ICE FULL” indicator on the display panel will light up and the ice maker will stop automatically. Production resumes once ice has been removed from the container.
- To remove the ice cubes, take out the ice basket. Remember to place it back in the original position. (M-ICE 15 only)
- **ATTENTION!** If the water supply is insufficient, the “WATER LOW” indicator will light up and the ice maker will stop operation automatically. Check the water inlet or reservoir.
- To drain the water, remove the drain plug located underneath the appliance. (M-ICE 15 only)
- **ATTENTION!** In event of an error the indicator “Fault” lights up and the machine will switch off automatically.
- **ATTENTION!** Do not activate the machine immediately after it has turned off automatically. Wait 3-5 minutes to prevent damage of the compressor.
- When the appliance is not being used, turn off the machine by pressing the ‘On/Off’ button on the control panel.
- If the appliance will not be used for a longer period, please remove the plug from the main socket. Remove the water from the reservoir using the drain located at the back of the appliance. Completely dry the water reservoir using a dry towel.

#### CONTROL PANEL M-ICE SERIES



- ① **ON-/OFF-switch** with built-in control lamp (red)
- ② **„RUN“**- operation control lamp (green)
- ③ **„FAULT“**- display fault/failure (red)
- ④ **„ICE FULL“**- display tank full (red)
- ⑤ **„WATER LOW“**- display low water level (red)

## CONTROL PANEL M-ICE 15



### Troubleshooting (for user and technician reference)

This Ice Maker has a self-checking function, faults will be visible on the display panel by use of indicator lights. The following overview will help you understand the control panel and possible problems. However, only qualified engineers should attempt to open or repair the machine. Contact your supplier when in doubt.

**Note:** If any problems occur, please wait until the machine stops automatically.

Problem	Possible Cause	Possible Solution
The appliance does not work. (no indicator lights illuminated)	<ul style="list-style-type: none"> <li>The appliance is switched off.</li> <li>The power supply is interrupted.</li> <li>The voltage is not correct.</li> <li>The ambient temperature is below 6 °C.</li> </ul>	<ul style="list-style-type: none"> <li>➤ Switch on the appliance.</li> <li>➤ Check the power supply, plug in power cable.</li> <li>➤ Use another power source.</li> <li>➤ Make sure the ambient temperature is above 6 °C.</li> </ul>
The appliance does not work. (only powerswitch is illuminated)	<ul style="list-style-type: none"> <li>The voltage is not correct.</li> <li>PCB Board is damaged.</li> </ul>	<ul style="list-style-type: none"> <li>➤ Use another power socket.</li> <li>➤ Contact supplier</li> </ul>
The appliance does not work. ("ICE FULL" indicator is illuminated)	<ul style="list-style-type: none"> <li>Ice storage container is full.</li> </ul>	<ul style="list-style-type: none"> <li>➤ Remove ice from container.</li> </ul>
The appliance does not work. ("ICE FULL" and "FAULT" indicators are illuminated)	<ul style="list-style-type: none"> <li>Ice sensor defective or disconnected.</li> </ul>	<ul style="list-style-type: none"> <li>➤ Replace or connect sensor</li> </ul>
The appliance does not work. ("FAULT" indicator is illuminated)	<ul style="list-style-type: none"> <li>Condenser sensor defective or disconnected.</li> </ul>	<ul style="list-style-type: none"> <li>➤ Replace or connect sensor</li> </ul>
"WATER LOW" and "ICE FULL" indicator flash together or "FAULT" indicator flashes rapidly.	<ul style="list-style-type: none"> <li>Refrigerant leakage.</li> <li>Compressor does not run.</li> <li>Ambient temperature is below 6 °C</li> </ul>	<ul style="list-style-type: none"> <li>➤ Check and refill.</li> <li>➤ Check compressor.</li> <li>➤ Keep ambient temperature above 6 °C</li> </ul>
"WATER LOW", "ICE FULL" and "FAULT" indicators all flash slowly.	<ul style="list-style-type: none"> <li>HALL sensor defective or positioned incorrectly</li> <li>Paddle motor defective</li> </ul>	<ul style="list-style-type: none"> <li>➤ Replace or reposition sensor.</li> <li>➤ Replace motor</li> </ul>
"FAULT" indicator flashes rapidly (after period of operation)	<ul style="list-style-type: none"> <li>Ice turning motor damaged.</li> <li>Micro-switches do not function.</li> <li>Water reservoir damaged.</li> <li>Water reservoir blocked by ice.</li> </ul>	<ul style="list-style-type: none"> <li>➤ Replace motor.</li> <li>➤ Replace or adjust switches.</li> <li>➤ Replace water reservoir.</li> <li>➤ Remove ice.</li> </ul>



The "WATER LOW" indicator is flashing.	<ul style="list-style-type: none"> <li>• The water supply is interrupted.</li> <li>• The water pressure is not sufficient.</li> <li>• There is insufficient water in the water reservoir</li> <li>• The water filter is blocked.</li> <li>• The water supply hose is kinked/twisted.</li> </ul>	<ul style="list-style-type: none"> <li>➤ Check the water supply and sealing ring.</li> <li>➤ Check the water pressure. It should be between 2 and 3 bar.</li> <li>➤ Add water to the water reservoir.</li> <li>➤ Remove and clean the filter.</li> <li>➤ Unkink/untwist the hose.</li> </ul>
The "WATER LOW" indicator is illuminated.	<ul style="list-style-type: none"> <li>• Appliance was without water supply for more than 24 hours.</li> </ul>	<ul style="list-style-type: none"> <li>➤ Check water supply and restart appliance.</li> </ul>
The compressor does not work.	<ul style="list-style-type: none"> <li>• The ice storage bin is full.</li> <li>• The water supply is insufficient.</li> <li>• The storage sensor is defective.</li> </ul>	<ul style="list-style-type: none"> <li>➤ Remove ice from the bin.</li> <li>➤ Check the water inlet.</li> <li>➤ Clean or replace the sensor.</li> </ul>
The compressor is working, but the machine is not producing ice cubes or producing inconsistent ice cubes.	<ul style="list-style-type: none"> <li>• The cooling system is blocked or refrigerant leakage.</li> <li>• De ambient temperature is too high.</li> <li>• The temperature of the appliance is too high.</li> </ul>	<ul style="list-style-type: none"> <li>➤ Check if the cooling system is working, if not contact the supplier.</li> <li>➤ Make sure the ambient temperature is below 43 °C.</li> <li>➤ Let the appliance cool down and restart.</li> </ul>

### Cleaning and Maintenance

- **ATTENTION!** Maintenance and repairs should only be done by certified engineers, using original parts and accessories.
- Regularly check and clean the appliance, its cables, tubes/hoses and accessories (if applicable).
- Regularly check the plug and power cable for any damage. When the plug or cable is damaged do not use the machine until the defect is repaired by a certified engineer.
- Always switch off the appliance and disconnect the power supply before cleaning.
- **ATTENTION:** Never use aggressive cleaning agents or abrasives. Do not use solvents or petrol based cleaning agents. Cleaning agents may leave harmful residues or cause damage to the machine. Warm, soapy water is recommended for cleaning.
- Remove any calcification using a mixture of water and vinegar
- After cleaning, use a soft cloth to dry the appliance.
- Do not use any scourer and sharp or pointed objects during cleaning, this may cause damage to the machine.
- Clean the condenser every 2 or 3 months.
- **ATTENTION!** Never hose down the machine or immerse it in water or any other liquid, instead wipe the exterior with a damp cloth.



- **ATTENTION!** Never let the power cable and power plug get wet or damp.

**Clean water tank if they have not been used for 48 h; flush the water system connected to a water supply if water has not been drawn for 5 days.**

### Storage

- Make sure the appliance is cleaned the right way before it is being stored.
- Coil the power cord and put it away.
- Store in a cool and dry place.

### Discarding

When discarding the appliance, do so in compliance with the rules and regulations of local authorities.

### Guarantee

Thank you for using our products, our company will follow related provisions from our "Algemene Voorwaarden", and provide you services when you can show us the invoice.

We provide 12-month warranty from the date of purchase (invoice date). In the warranty period, our company is responsible for free parts if there is a device fault or quality problem of spare parts under correct operation.

The following is not included in the free service:

1. Damages result from transportation, installation, improper connections.
2. Component damages caused by failing to provide power and voltage as required in technical data.
3. Damages caused by disassembling products, adjust or change the mechanical and electrical structures without permission.
4. Damage caused by improper operation, cleaning and maintenance.
5. Non-man-made damage, such as damages from abnormal voltage, fire, building collapse, lightning, floods and other natural disasters, and damages from rats and other pests.
6. Failure in following the manual when operating.
7. Wearable and expendable parts.
8. Altered invoice or without invoice.

In line with our policy of continuous development, we reserve the right to alter the product, the packaging or the documentation without prior notice.



NEDERLANDS

Specificaties:

Model	Production (kg/24h)	Ice Storage (kg)	Power Input	Dimensions (mm)	Weight (kg)	Inside Material	Casing Material
M-ICE 15B	15	0.8	230v / 50hz 110w	370x335x280	10	ABS + PC	ABS
M-ICE 24	24	5	230v / 50hz 200w	330x470x580	21	ABS	18/8 Stainless Steel
M-ICE 28	28	7	230v / 50hz 240w	398x510x610	26	ABS	18/8 Stainless Steel
M-ICE 45	45	7	230v / 50hz 280w	398x510x610	28	ABS	18/8 Stainless Steel
M-ICE 60	60	14	230v / 50hz 320w	398x510x785	33	ABS	18/8 Stainless Steel
M-ICE 80	80	25	230v / 50hz 420w	500x612x908	48	ABS	18/8 Stainless Steel
M-ICE 100 A	100	55	230v / 50hz 650w	760x690x1105	70	ABS	18/8 Stainless Steel
M-ICE 30 FLAKE	30	7	230v / 50hz 215w	330x470x580	28	ABS	18/8 Stainless Steel
M-ICE 50 FLAKE	50	10	230v / 50hz 230w	398x542x716	43	ABS	18/8 Stainless Steel
M-ICE 85 FLAKE	85	20	230v / 50hz 430w	398x510x832	46	ABS	18/8 Stainless Steel
M-ICE 130 FLAKE	130	30	230v / 50hz 470w	500x612x960	52	ABS	18/8 Stainless Steel
M-ICE 24W	24	5	230v / 50hz 200w	330x470x580	21	ABS	18/8 Stainless Steel
M-ICE 45W	45	7	230v / 50hz 280w	398x510x610	28	ABS	18/8 Stainless Steel
M-ICE 30 FLAKE W	30	7	230v / 50hz 215w	330x470x580	28	ABS	18/8 Stainless Steel
M-ICE 50 FLAKE W	50	10	230v / 50hz 230w	398x542x716	43	ABS	18/8 Stainless Steel
M-ICE 85 FLAKE W	85	20	230v / 50hz 430w	398x510x832	46	ABS	18/8 Stainless Steel

#### Veiligheidsvoorschriften

- Het apparaat mag alleen worden gebruikt voor het doel waarvoor het werd ontworpen. De fabrikant aanvaardt geen enkele aansprakelijkheid voor schade als gevolg van onjuiste bediening en verkeerd gebruik.
- Dit apparaat is uitsluitend bedoeld voor: **Het maken van ijsblokjes of schilferijs.**
- Zorg dat het apparaat en de stekker niet met water of een andere vloeistof in aanraking komen. Mocht het apparaat onverhoopt in het water vallen, trek dan onmiddellijk de stekker uit het stopcontact en laat het apparaat controleren door een erkend vakman. **Het niet navolgen van dit advies kan levensgevaar opleveren**



- Dit apparaat is enkel bedoeld voor gebruik binnenshuis.
- Verplaats het apparaat niet terwijl deze in gebruik is.
- Dek het apparaat nooit af of plaats er nooit voorwerpen op terwijl deze in bedrijf is.
- Probeer nooit zelf de behuizing van het apparaat te openen.
- Steek geen voorwerpen in de behuizing van het apparaat.
- Raak de stekker niet met natte of vochtige handen aan.
- Controleer stekker en snoer regelmatig op eventuele beschadiging. Indien stekker of snoer beschadigd is, laat de reparatie bij een erkend bedrijf uitvoeren.
- Gebruik het apparaat niet nadat het is gevallen of op andere wijze beschadigd is. Laat het bij een erkend reparatiebedrijf controleren en zo nodig repareren.
- Probeer het apparaat niet zelf te repareren. **Dit kan levensgevaar opleveren.**
- Zorg dat het snoer niet met scherpe of hete voorwerpen in aanraking komt en houdt het uit de buurt van open vuur. Als u de stekker uit het stopcontact wilt trekken, pak dan altijd de stekker zelf beet en trek nooit aan het snoer.
- Zorg dat niemand het snoer (of verlengsnoer) abusievelijk kan lostrekken of erover kan struikelen.
- Houdt het apparaat tijdens gebruik steeds in de gaten.
- Houd uw handen weg van bewegende delen terwijl het apparaat in gebruik is.
- Laat kinderen nooit zonder toezicht in de buurt van het apparaat spelen of het apparaat zonder toezicht gebruiken.
- Trek altijd de stekker uit het stopcontact als het apparaat niet wordt gebruikt en voordat het wordt schoongemaakt.
- De maximale temperatuur van de wateraanvoer mag niet hoger zijn dan 38 °C
- Zorg dat de waterdruk tussen de 0.1Mpa en 0.8Mpa zit.
- Zorg dat de gebruikte stopcontact geaard is.
- **LET OP!** Zolang de stekker in het stopcontact zit staat het apparaat onder netspanning.
- Houd al het verpakkingsmateriaal uit de buurt van kinderen en behandel het afval volgens lokale wet- en regelgeving.
- Schakel het apparaat uit voordat u de stekker uit het stopcontact trekt.
- Draag of verplaats het apparaat nooit aan het snoer.
- Gebruik geen accessoires in samenwerking met het apparaat die niet zijn meegeleverd of er niet bij horen.
- Voorkom overbelasting.

- Plaats het apparaat niet op zijn kant of ondersteboven. Het apparaat dient niet meer dan 45° te kantelen. Dit geldt ook voor tijdens transport.
- De elektrische aansluitingen moeten voldoen aan de hiervoor bestemde richtlijnen.
- Ververs het water regelmatig om de kwaliteit van de ijsblokjes te waarborgen. (M-ICE 15)

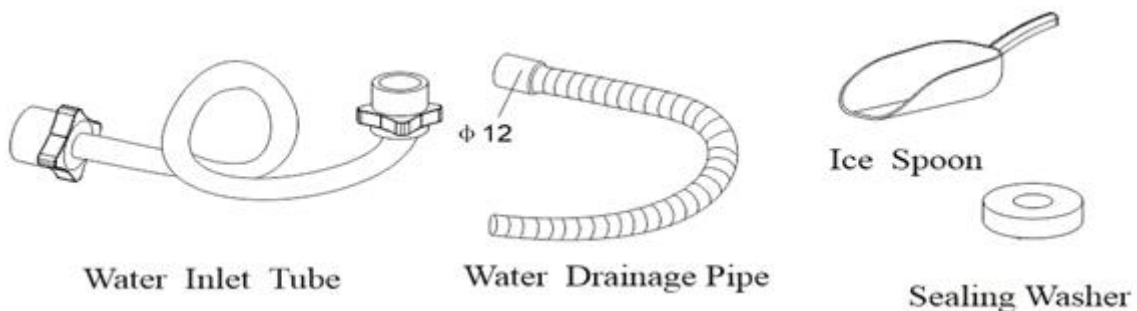


## Waarschuwing: licht ontvlambare stoffen worden gebruikt

### Vorbereiding voor eerste ingebruikname

- Controleer of het apparaat niet beschadigd is. Neem in geval van beschadiging onmiddellijk contact op met uw leverancier en gebruik het apparaat **NIET**. Bewaar al het verpakkingsmateriaal indien de machine geïnspecteerd of retour gestuurd moet worden.
- Verwijder alle beschermende folies van het apparaat.
- Lees aandachtig deze gebruikshandleiding voordat u de machine in gebruik neemt. Het installeren van de machine dient door een gediplomeerd vakman, uw dealer of een Maxima vertegenwoordiger gedaan te worden.
- Plaats het apparaat “waterpas” op een vlakke en stabiele ondergrond. Zorg voor genoeg ruimte eromheen voor gemakkelijke toegang, reiniging en ventilatie.
- Plaats het apparaat zo, dat de stekker te allen tijde vrij en bereikbaar is.
- Als uw machine met een standaard stekker geleverd wordt kan u deze in het stopcontact plaatsen. Controleer alvorens of het voltage gelijkwaardig is. Als uw machine enkel met snoer en zonder stekker geleverd wordt dient u dit door een gediplomeerd vakman te laten monteren.
- Alvorens ingebruikname wordt geadviseerd het apparaat te reinigen. Gebruik voor de behuizing een vochtige doek. Reinig het werkoppervlak, accessoires en toebehoren met warm water en een reinigingsmiddel dat geschikt is voor gebruik in de voedselindustrie. Spoel het vervolgens af met warm water en wacht totdat deze compleet opgedroogd zijn.

### M-ICE SERIE ACCESSOIRES



### Installatie

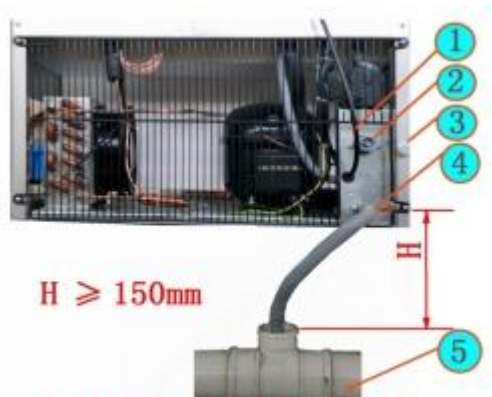
1. Haal alle meegeleverde accessoires uit de ijsvoorraadbak. (geldt niet voor M-ICE 15)

2. Plaats het apparaat “waterpas” op een vlakke en stabiele ondergrond. Het apparaat functioneert minder efficiënt als deze niet waterpas staat. Verstel eventueel de voeten om dit te realiseren.
3. Zorg voor genoeg ruimte (10cm) om het apparaat heen, voor gemakkelijke toegang, reiniging en ventilatie.
4. Plaats het apparaat zo, dat de stekker te allen tijde vrij en bereikbaar is.
5. Plaats het apparaat in de buurt van een drinkwateraansluiting. Is er geen drinkwateraansluiting, dan moet u een waterzuiveringsapparaat aansluiten. Let erop dat de waterdruk 2 à 3 bar moet bedragen. (geldt niet voor M-ICE 15)
6. Kies een plek uit die niet in direct zonlicht staat of dichtbij een warmtebron zoals bijvoorbeeld een kookstel, oven of radiator.
7. Maak de toevoerslang vast aan de kraan en maak het andere uiteinde vast aan de aansluiting achterop het apparaat. Plaats de bijgevoegde dichtingsring (geldt niet voor M-ICE 15).
8. Maak het uiteinde van de afvoerslang met behulp van de rubberen mof vast aan de afvoer op de achterkant van het apparaat. Bevestig het andere uiteinde van de afvoerslang aan een waterafvoer of watercontainer. Deze moet lager staan dan de wateruitlaat van de ijsblokjesmachine zelf, zodat het water weg kan stromen (geldt niet voor M-ICE 15).
9. Laat apparaat een uur stil staan zodat het koelmiddel kan neerslaan en steek dan pas de stekker in het stopcontact.
10. Wanneer het apparaat naar een andere ruimte verplaatst wordt, moet deze acclimatiseren (het apparaat moet de temperatuur van de ruimte waarin hij staat aannemen). De temperatuur van de ruimte moet minimaal 6 °C zijn. Geef het apparaat enkele uren om te acclimatiseren.

#### ► UITLEG AANSLUITING WATERAFVOER

Volg de afbeelding bij het aansluiten van de waterafvoer

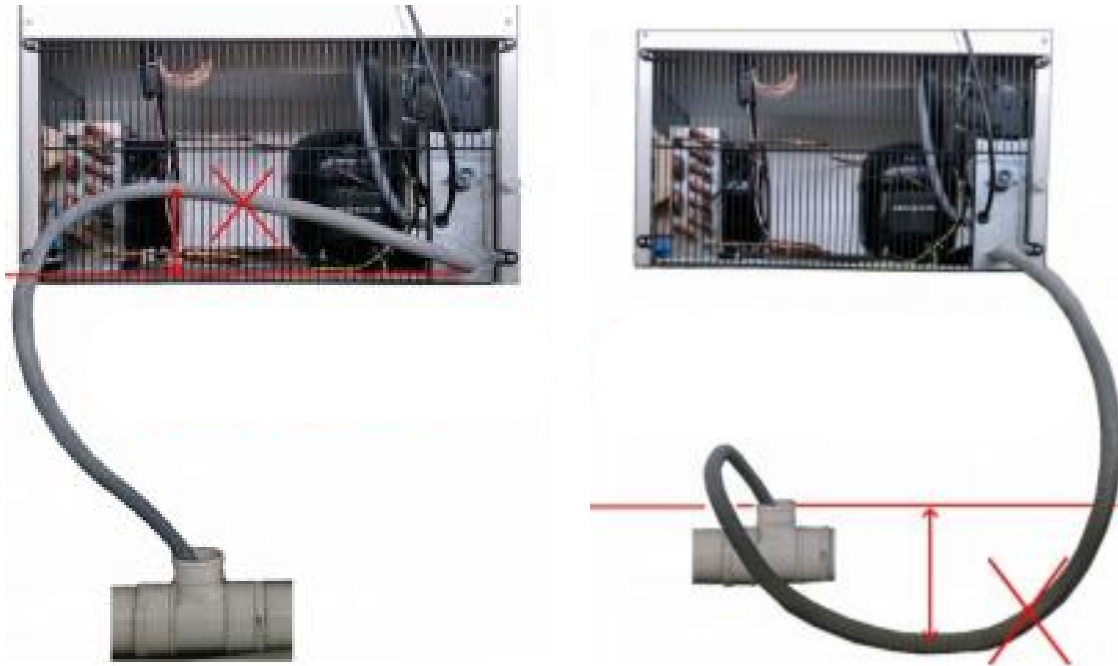
1. De juiste manier van aansluiten ziet u op onderstaande afbeelding



De afvoeraansluiting dient op 150MM boven de afvoerpijp (5) geplaatst te worden.

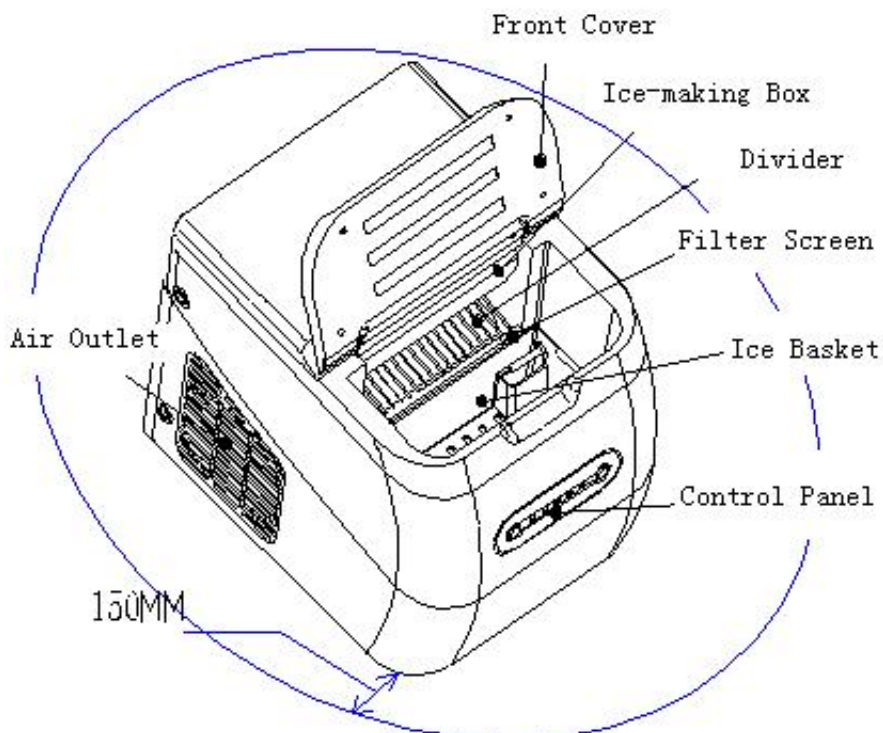
- ① Stroomkabel
- ② Watertoevoer aansluiting
- ③ Waterafvoer schroefje
- ④ Waterafvoerslang
- ⑤ Riolering afvoer

2. Onderstaande afbeelding laat zien wat een verkeerde manieren van aansluiten zijn.

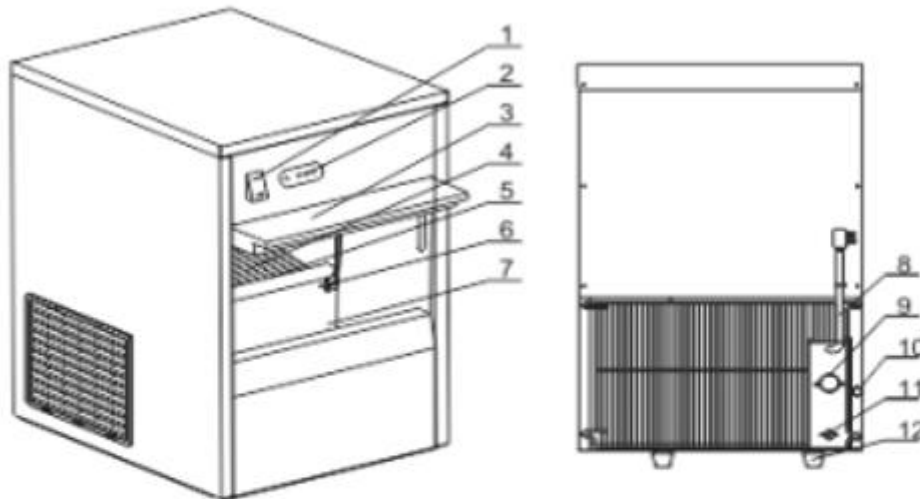


De afvoerslang moet niet kunnen buigen. Zorg ervoor dat de afvoerslang onder het hoogteniveau van de afvoeraansluiting zit en ook boven hoogteniveau van de afvoerpijp zit.

### M-ICE 15 Structure



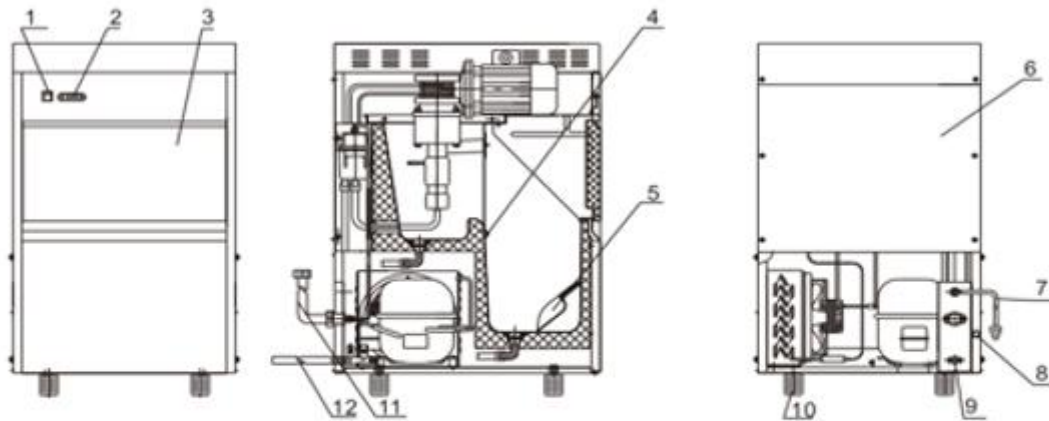
### M-ICE SERIE STRUCTUUR



1. Schakelaar
2. Display Paneel
3. Deur
4. Plank
5. Water Reservoir
6. Ijs Vol Sensor

7. Ijs Reservoir
8. Stroomkabel
9. Water Toevoer Connectie
10. Schroef voor Afvoer
11. Water Afvoer Connectie
12. Voet

### M-ICE FLAKE SERIE STRUCTUUR



1. Schakelaar
2. Bedieningspaneel
3. Deur
4. Temperatuur Sensor

5. Ijsschep
6. Achter Paneel
7. Stroomkabel
8. Afvoer Plug

9. Water Afvoerslang
10. Verstelbare Voet
11. Water Toevoerslang
12. Afvoerslang



## Bediening

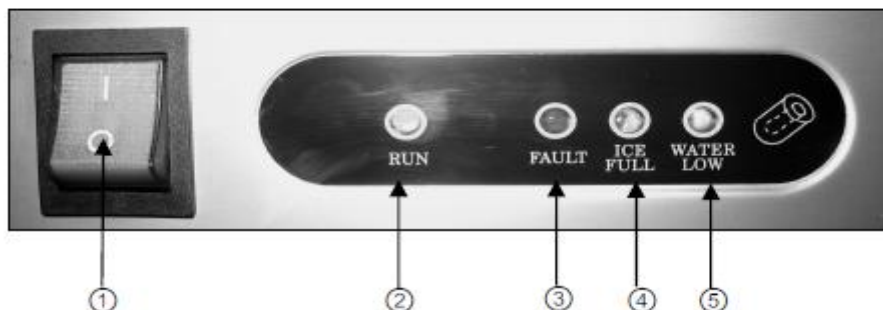
**Notitie: Controleer of uw stroomaanluiting geschikt is voor deze machine, u kunt de vereisten terugvinden op het typeplaatje achterop de machine. Volg ook onderstaand tabel:**

Nominale stroom van machine (A)	Gebruik een doorsnee van mm <sup>2</sup>
>0.2 and ≤ 3	0.5
>3 and ≤ 6	0.75
>6 and ≤ 10	1.0
>10 and ≤ 16	1.5

- Steek de stekker in het stopcontact.
- Gebruik de “AAN/UIT” schakelaar om het apparaat in te schakelen, deze bevindt zich aan de voorzijde van het apparaat. De schakelaar zal oplichten en de productie van ijsblokjes zal beginnen. De eerste keer dat u de machine inschakelt zal deze een zelf-inspectie uitvoeren, dit zal ongeveer 5 minuten in beslag nemen.
- De “RUN” indicator zal niet meteen oplichten, dit gebeurt pas wanneer de compressor operationeel is.
- Verwijder het ijsmandje en vul het waterreservoir tot aan de “MAX” markering. (alleen voor M-ICE 15)
- Kies de gewenste ijsblokjes grootte door middel van de “Select” knop. De indicatoren op het bedieningspaneel geven de geselecteerde grootte aan; “S” (klein), “M” (middel), “L” (groot). (alleen voor M-ICE 15)
- **LET OP!** Wanneer u de Ijsblokjes machine voor het eerst gebruikt (of na een lange periode van inactiviteit), dient u de eerste twee ladingen ijs weg te gooien. Dit proces reinigt de machine intern en bent u verzekerd van schone ijsblokjes.
- Zodra de ijsblokjes container vol is zal de “ICE FULL” indicator oplichten en de ijsblokjes machine automatisch uitschakelen. Wanneer u de ijsblokjes container leegt zal de productie automatisch hervatten.
- Om de ijsblokjes te verwijderen tilt u het ijsblokjes mandje uit het apparaat. Vergeet niet deze daarna in de originele positie terug te plaatsen. (alleen voor M-ICE 15)
- **LET OP!** Als de toevoer van water onvoldoende is dan zal de “WATER LOW” indicator oplichten en de machine automatisch uitschakelen. Controleer de watertoevoer of het waterreservoir.
- Om het water af te voeren, dient u de afvoerplug aan de onderzijde van het apparaat te verwijderen. (alleen voor M-ICE 15)
- **LET OP!** Als er een storing voordoet zal de “Fault” indicator oplichten en de machine automatisch uitschakelen.
- **LET OP!** Schakel de machine niet meteen weer in nadat deze automatisch is uitgeschakeld. Wacht 3-5 minuten om schade aan de compressor te voorkomen.
- Als het apparaat niet in gebruik is, schakelt u het apparaat uit door de “AAN/UIT” knop op het bedieningspaneel om te schakelen.

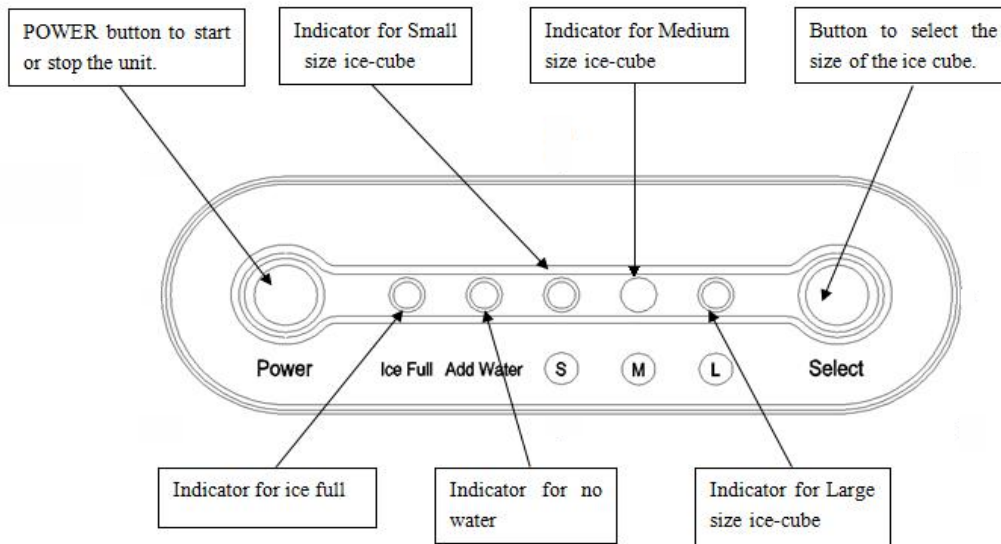
- Wanneer u het apparaat gedurende langere tijd niet gebruikt, laat dan het water weglopen uit het waterreservoir met behulp van de afvoerschroef aan de achterkant van het apparaat. Droog het waterreservoir met een droge handdoek goed droog.

#### BEDIENINGPANEEL M-ICE SERIE



- ① AAN-/Uit schakelaar met geïntegreerd controlelampje (rood)
- ② Controlelampje werking (groen)
- ③ Indicator „Fout/Storing “ (rood)
- ④ Indicator „Volle voorraadbak “ (rood)
- ⑤ Indicator „Laag waterniveau “ (rood)

#### BEDIENINGPANEEL M-ICE 15



#### Mogelijke Storingen (ter referentie voor gebruiker of monteur)

De Ijsblokjes machines hebben een zelf-check functionaliteit, eventuele storingen worden weergegeven op het bedieningspaneel. Het volgende overzicht helpt u met het aflezen van het bedieningspaneel en geeft u beter inzicht in mogelijke storingen. Echter, het apparaat dient alleen open gemaakt of gerepareerd te worden door een gediplomeerd vakman. Neem bij twijfel contact op met uw leverancier.

**Notitie:** Wacht todat de machine automatisch uitschakeld wanneer er zich een storing voordoet.

Probleem	Mogelijke Oorzaak	Mogelijke Oplossing
Het apparaat werkt niet. (er branden geen indicators)	<ul style="list-style-type: none"> <li>• Het apparaat is uigeschakeld.</li> <li>• De stroomtoevoer is onderbroken.</li> <li>• Het voltage is onjuist.</li> <li>• De omgevingstemperatuur is onder 6 °C.</li> </ul>	<ul style="list-style-type: none"> <li>➤ Schakel het apparaat in.</li> <li>➤ Controleer de stekker, steek deze in het stopcontact.</li> <li>➤ Gebruik een andere stroombron.</li> <li>➤ Zorg ervoor dat de omgevingstemperatuur boven de 6 °C is.</li> </ul>
Het apparaat werkt niet. (alleen de "AAN/UIT" knop brandt)	<ul style="list-style-type: none"> <li>• Het voltage is onjuist.</li> <li>• Het PCB Bord is defect.</li> </ul>	<ul style="list-style-type: none"> <li>➤ Gebruik een andere stroombron.</li> <li>➤ Neem contact op met uw leverancier.</li> </ul>
Het apparaat werkt niet. ("ICE FULL" indicator brandt)	<ul style="list-style-type: none"> <li>• De ijsblokjes opslag is vol.</li> </ul>	<ul style="list-style-type: none"> <li>➤ Verwijder de ijsblokjes.</li> </ul>
Het apparaat werkt niet. ("ICE FULL" en "FAULT" indicators branden)	<ul style="list-style-type: none"> <li>• Ijs-sensor defect of losgekoppeld.</li> </ul>	<ul style="list-style-type: none"> <li>➤ Vervang sensor of sluit deze aan.</li> </ul>
Het apparaat werkt niet. ("FAULT" indicator brandt)	<ul style="list-style-type: none"> <li>• Condensor sensor defect of losgekoppeld.</li> </ul>	<ul style="list-style-type: none"> <li>➤ Vervang sensor of sluit deze aan.</li> </ul>
"WATER LOW" en "ICE FULL" indicatoren knipperen of de "FAULT" indicator knippert snel.	<ul style="list-style-type: none"> <li>• Lekkage koelvloeistof.</li> <li>• Compressor werkt niet.</li> <li>• De omgevingstemperatuur is onder 6 °C.</li> </ul>	<ul style="list-style-type: none"> <li>➤ Controleer en hervul.</li> <li>➤ Controleer compressor.</li> <li>➤ Zorg ervoor dat de omgevingstemperatuur boven de 6 °C is.</li> </ul>
"WATER LOW", "ICE FULL" en "FAULT" indicatoren knipperen allen langzaam.	<ul style="list-style-type: none"> <li>• HALL sensor defect of verkeerd gepositioneerd.</li> <li>• Scheprad motor defect</li> </ul>	<ul style="list-style-type: none"> <li>➤ Vervang of verplaats sensor.</li> <li>➤ Vervang motor.</li> </ul>
"FAULT" indicator knippert snel (na een periode van functioneren)	<ul style="list-style-type: none"> <li>• Ijs kantel motor defect.</li> <li>• Micro-schakelaars defect in verkeerde stand.</li> <li>• Waterreservoir defect.</li> <li>• Waterreservoir geblokkeerd door ijs.</li> </ul>	<ul style="list-style-type: none"> <li>➤ Vervang motor.</li> <li>➤ Vervang of verstel de schakelaars.</li> <li>➤ Vervang waterreservoir.</li> <li>➤ Verwijder ijs.</li> </ul>
"WATER LOW" indicator knippert.	<ul style="list-style-type: none"> <li>• De watertoevoer is onderbroken.</li> <li>• De waterdruk is onvoldoende.</li> <li>• Er is onvoldoende water in het waterreservoir.</li> <li>• Het waterfilter is verstopt.</li> <li>• De watertoevoerslang is vaststopt/verdraaid.</li> </ul>	<ul style="list-style-type: none"> <li>➤ Controleer de watertoevoer en dichtingsring.</li> <li>➤ Controleer de waterdruk. Deze dient tussen de 2 en 3 bar te zijn.</li> <li>➤ Vul het waterreservoir.</li> <li>➤ Verwijder en reinig het filter.</li> <li>➤ Controleer de watertoevoerslang.</li> </ul>
"WATER LOW" indicator brandt.	<ul style="list-style-type: none"> <li>• Het apparaat heeft meer dan 24h zonder water gezeten.</li> </ul>	<ul style="list-style-type: none"> <li>➤ Controleer de watertoevoer en herstart de machine.</li> </ul>
De compressor werkt niet.	<ul style="list-style-type: none"> <li>• De ijsblokjes opslag is vol.</li> <li>• De watertoevoer is onvoldoende.</li> <li>• Ijs-sensor defect, vies of losgekoppeld.</li> </ul>	<ul style="list-style-type: none"> <li>➤ Remove ice from the bin.</li> <li>➤ Check the water inlet.</li> <li>➤ Vervang, reinig of sluit sensor opnieuw aan.</li> </ul>
De compressor werkt maar het apparaat produceert geen of inconsistente ijsblokjes.	<ul style="list-style-type: none"> <li>• Het koelsysteem is verstopt of er lekt koelvloeistof.</li> <li>• De omgevingstemperatuur is te hoog.</li> <li>• Het apparaat is te warm.</li> </ul>	<ul style="list-style-type: none"> <li>➤ Check if the cooling system is working, if not contact the supplier.</li> <li>➤ Zorg ervoor dat de omgevingstemperatuur onder de 43 °C is.</li> <li>➤ Laat het apparaat afkoelen en herstart deze.</li> </ul>



## Reiniging en Onderhoud

- **LET OP!** Onderhoud en reparaties dienen alleen uitgevoerd te worden door een gediplomeerd vakman.
- Controleer en reinig het apparaat, de kabels, slangen en accessoires regelmatig.
- Controleer regelmatig de stekker en voedingskabel op beschadigingen. Wanneer één hiervan beschadigd is, is het niet toegestaan het apparaat te gebruiken. De kabel en/of stekker dient door een gediplomeerd vakman gerepareerd te worden.
- **LET OP!** Voordat u het apparaat gaat reinigen, dan wel ter reparatie stelt, altijd eerst het apparaat uitschakelen en de stekker uit het stopcontact halen.
- **LET OP!** Gebruik nooit agressieve of bijtende reinigingsmiddelen. Gebruik ook geen oplosmiddel of benzine houdende middelen. Deze reinigingsmiddelen kunnen het apparaat beschadigen of schadelijke residu's achterlaten. Warm water en een mild reinigingsmiddel worden geadviseerd.
- **LET OP!** Gebruik geen schuurspons of scherpe objecten tijdens het reinigen. Deze kunnen het apparaat beschadigen.
- Verwijder eventuele kalkaanslag met een mengsel van water en azijn.
- Droog het apparaat altijd na het reinigen, gebruik hiervoor een zachte doek.
- Reinig de **condensator** elke 2 á 3 maanden.
- **LET OP!** Dompel het apparaat nooit in water. Gebruik ook geen hogedrukspuit of directe waterstraal om het apparaat te reinigen. Maak het apparaat schoon met een vochtige doek.
- **LET OP!** Laat de stekker of de voedingskabel niet nat of vochtig worden.

**Ververs het water in de tank na 48uur.Spoel het gehele systeem door wanneer het water 5 dagen of langer ongebruikt in de machine heeft gezeten.**

## Opslag

- Zorg ervoor dat het apparaat op de juiste manier is schoongemaakt voordat u het opslaat.
- Rol het snoer op en stop deze netjes weg.
- Berg het apparaat op in een droge en koele plaats.

## Afdanken

Volg aan het einde van de levensduur van uw apparaat, de geldende locale wet- en regelgeving wanneer u het apparaat afdankt.

## Garantie

Hartelijk bedankt dat u onze producten gebruikt. Ons bedrijf hanteert bepalingen zoals beschreven in onze "Algemene Voorwaarden", en geven u ondersteuning wanneer u een factuur kunt overleggen.

Wij verlenen 12 maanden garantie na aankoopdatum. In de garantieperiode is ons bedrijf verantwoordelijk voor onderdelen onder garantie in geval van materiaalfouten, fabricagefouten of kwaliteitsproblemen. Alleen bij correct gebruik en originele onderdelen.

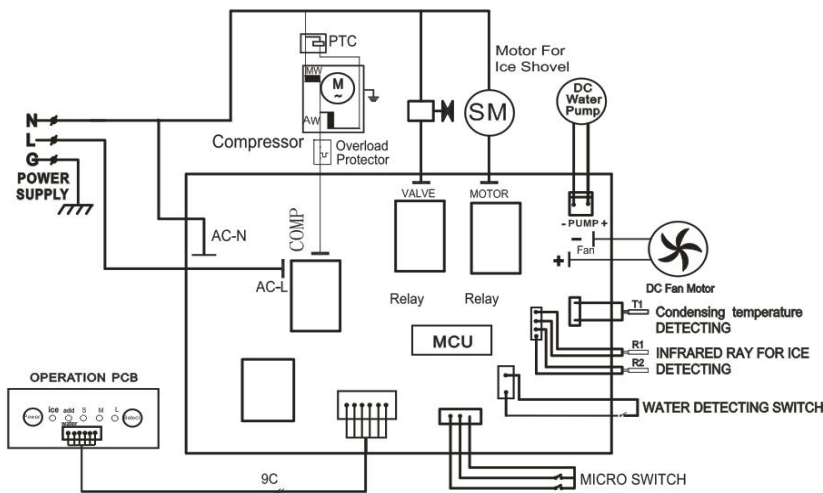
De volgende zaken vallen niet onder de garantie:

1. Schade als gevolg van transport, installatie of verkeerde aansluitingen.
2. Component schade veroorzaakt door verkeerde elektrische- of water aansluiting.
3. Schade als gevolg van demontage of aanpassingen aan de originele machine, zonder toestemming.
4. Schade als gevolg van verkeerd gebruik, slechte reiniging of ondeskundig onderhoud.
5. Schade als gevolg van brand, instorting, blikseminslag, wateroverlast, spanningspieken, ongedierte en andere vergelijkbare gebeurtenissen.
6. Het niet lezen of volgen van de gebruikershandleiding.
7. Verbruiksonderdelen en aan slijtage onderhevige onderdelen.
8. Aangepaste factuur of geen factuur.

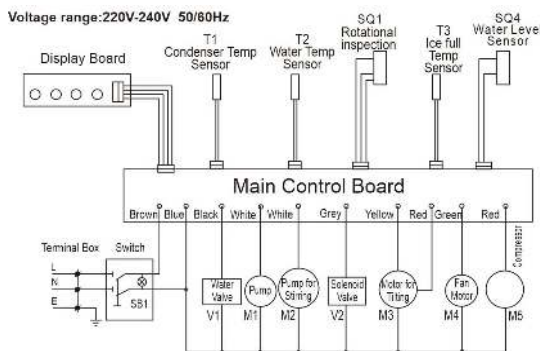
Ten behoeve van productontwikkeling en -verbetering behouden wij het recht om; het product, de verpakking of documentatie te wijzigen zonder dit vooraf bekend te maken.

**Electric Circuit Diagrams**  
**Electrische Schakelschema's**

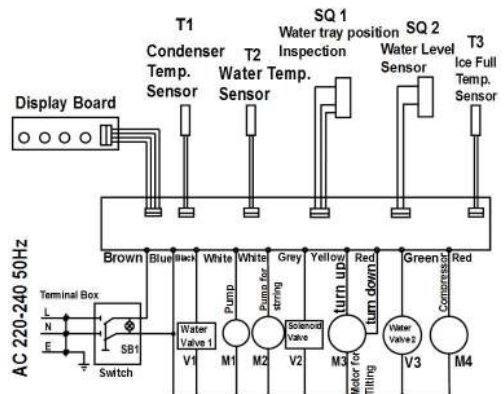
**MODEL: M-ICE 15B**



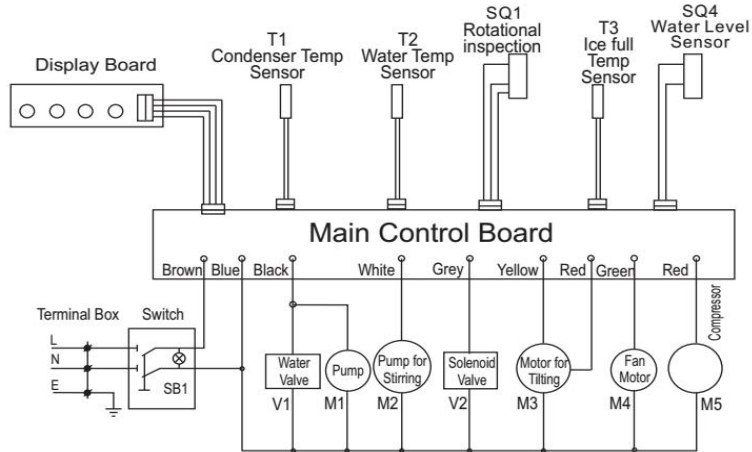
**MODEL: M-ICE 24**



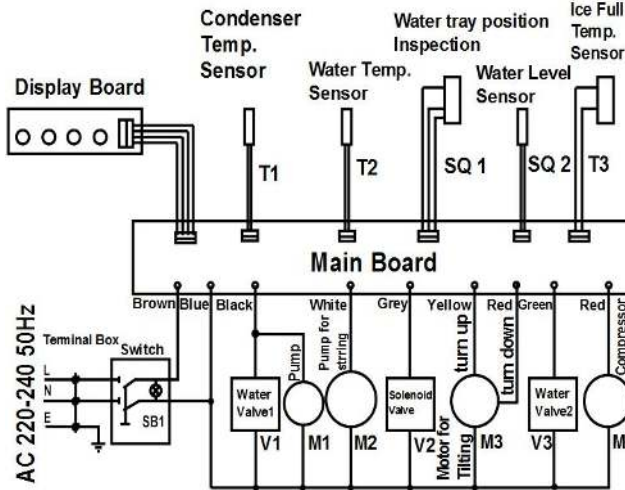
**MODEL: M-ICE 24W**



MODEL: M-ICE 28/45/60/80/100A



MODEL: M-ICE 45W



MODEL: M-ICE 30F/50F/85F/130F

