



MCO Home

Z-Wave Thermostat (2-pipe)

SKU: MCOEMH8-FC



Quickstart

This is a **Thermostat** for **Europe**. To run this device please connect it to your mains power supply.

MCOHome Fan Coil Thermostat is a Z-Wave enabled device for indoor temperature control.

To protect yourself and others from danger and to protect the device from damage, please read the safety information before using it.

You can find further information in the device manual.

- Step 1: Remove the steel frame from the device, and secure it onto the junction box with two screws.
- Step 2: Insert all wires into the right terminals and tighten screws. The wiring diagram is shown below.
- Step 3: Attach the wired device on "A" points of the steel frame as shown first, and then push the whole device into junction box.
- Step 4: Confirm the device is well mounted, power on and it is ready to operate.

Important safety information

Please read this manual carefully. Failure to follow the recommendations in this manual may be dangerous or may violate the law. The manufacturer, importer, distributor and seller shall not be liable for any loss or damage resulting from failure to comply with the instructions in this manual or any other material. Use this equipment only for its intended purpose. Follow the disposal instructions. Do not dispose of electronic equipment or batteries in a fire or near open heat sources.

What is Z-Wave?

Z-Wave is the international wireless protocol for communication in the Smart Home. This device is suited for use in the region mentioned in the Quickstart section.

Z-Wave ensures a reliable communication by reconfirming every message (**two-way communication**) and every mains powered node can act as a repeater for other nodes (**meshed network**) in case the receiver is not in direct wireless range of the transmitter.

This device and every other certified Z-Wave device can be **used together with any other certified Z-Wave device regardless of brand and origin** as long as both are suited for the same frequency range.

If a device supports **secure communication** it will communicate with other devices secure as long as this device provides the same or a higher level of security. Otherwise it will automatically turn into a lower level of security to maintain backward compatibility.

For more information about Z-Wave technology, devices, white papers etc. please refer to www.z-wave.info.



Product Description

MCOHome Fan Coil Thermostat is a Z-Wave enabled device for indoor temperature control. It is mainly applied to a 2-pipe Fan coil system. It can read room temperature and local time, and automatically control fan speed based on the temperature difference. The device is of high reliability and practicability. This product can be included and operated in any Z-Wave network with other Z-Wave certified devices from any other manufacturers.

Prepare for Installation / Reset

Please read the user manual before installing the product.

In order to include (add) a Z-Wave device to a network it **must be in factory default state**. Please make sure to reset the device into factory default. You can do this by performing an Exclusion operation as described below in the manual. Every Z-Wave controller is able to perform this operation however it is recommended to use the primary controller of the previous network to make sure the very device is excluded properly from this network.

Safety Warning for Mains Powered Devices

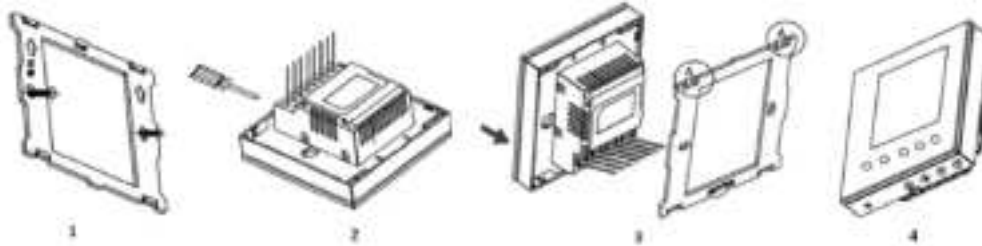
ATTENTION: only authorized technicians under consideration of the country-specific installation guidelines/norms may do works with mains power. Prior to the assembly of the product, the voltage network has to be switched off and ensured against re-switching.

Installation

Location:

Thermostat is suggested to be installed indoor, a place with around 1.5m height above the floor where represents the average room temperature. It should be away from direct sunlight, any cover, or any heat source, to avoid false signal for temperature control.

CAUTION: Cut off power supply at circuit breaker or fuse before installation to avoid fire, shock or death!

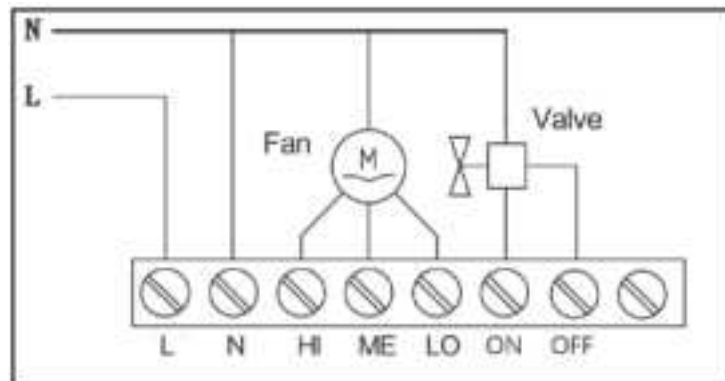


Step 1: Remove the steel frame from the device, and secure it onto the junction box with two screws.

Step 2: Insert all wires into the right terminals and tighten screws. The wiring diagram is shown below.

Step 3: Attach the wired device on A points of the steel frame as shown first, and then push the whole device into junction box.

Step 4: Confirm the device is well mounted, power on and it is ready to operate.



On/Off Setting

When power on, thermostat will display **OFF** - press power button to enter working interface. When normal working, press power button to turn off the device, **OFF** displays and all outputs are off.

Inclusion/Exclusion

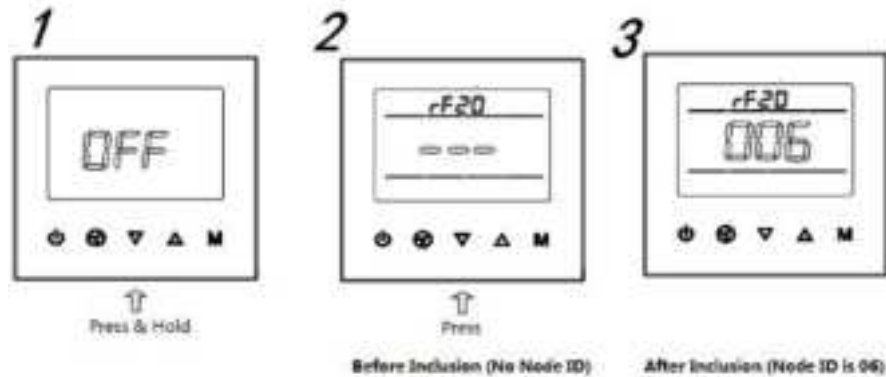
On factory default the device does not belong to any Z-Wave network. The device needs to be **added to an existing wireless network** to communicate with the devices of this network. This process is called **Inclusion**.

Devices can also be removed from a network. This process is called **Exclusion**. Both processes are initiated by the primary controller of the Z-Wave network. This controller is turned into exclusion respective inclusion mode. Inclusion and Exclusion is then performed doing a special manual action right on the device.

Inclusion

Including and Excluding of Z-Wave network

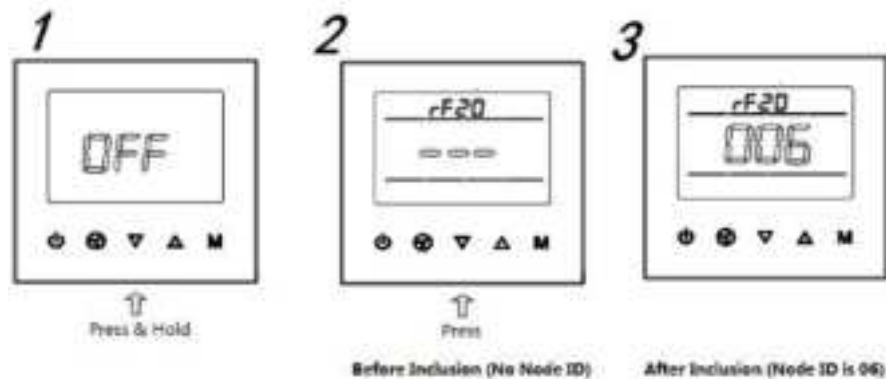
Under the shutdown state, press and hold down arrow to enter interface for inclusion or exclusion of Z-Wave network. Before device included into network, (- -) will display on the screen. Then press down arrow once, device will enter learning mode to get a node ID. If inclusion is success, a node ID will display on the screen in a few seconds. A node ID can always inform us whether the device is in the network or not. Note: Follow the same steps to exclude the device from the network. After inclusion, turn off the device and then turn it on. Now the device is ready to be operated by controller/ gateway in Z-Wave network.



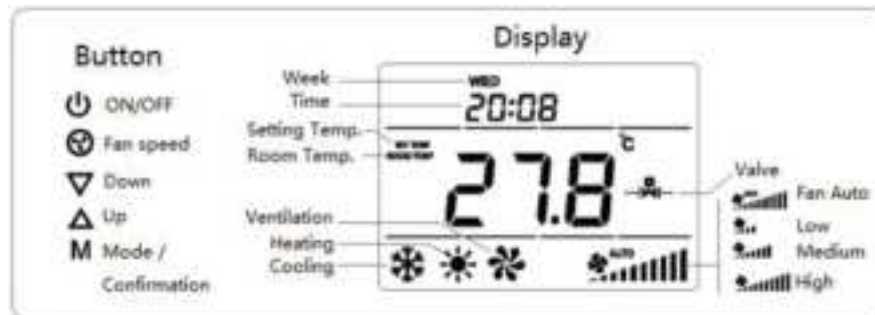
Exclusion

Including and Excluding of Z-Wave network

Under the shutdown state, press and hold down arrow to enter interface for inclusion or exclusion of Z-Wave network. Before device included into network, (- -) will display on the screen. Then press down arrow once, device will enter learning mode to get a node ID. If inclusion is success, a node ID will display on the screen in a few seconds. A node ID can always inform us whether the device is in the network or not. Note: Follow the same steps to exclude the device from the network. After inclusion, turn off the device and then turn it on. Now the device is ready to be operated by controller/ gateway in Z-Wave network.



Product Usage



On/Off Setting

When power on, thermostat will display "OFF", press **On/Off Button** to enter working interface. When normal working, press **On/Off Button** to turn off the device, "OFF" displays and all outputs are off.

Local Time Setting

Press and hold (M) to enter local time setting. Touch **M** to switch among Week, Hour and Minute, and then press arrow down or arrow up to set the parameters of flashing item. Press **M**, or wait for 15s to save the value and return to display.

Working Mode Setting

Touch **M** to enter working mode setting, the current mode flashing. Press arrow down or arrow up to switch among Cooling, Heating and Ventilation mode, then press **M**, or wait for 15s to confirm the choice.

Temperature setting

Touch arrow down or arrow up to set local temperature value. Hold the buttons can set continuously. Press **M**, or wait for 15s to save and return to room temperature display.

Fan Speed setting

In normal display, press fan button to switch among the fan speed : Low, Medium, High, Auto ; Then press **M**, or wait for 15s to confirm the choice.

You can find further information in the device manual.

Parameter Setting:

Under the shutdown state, press & hold M to enter parameter setting menu. The password is 5138 and press M to enter.

No.	Function	Range	Default	Remark
P-01	Screen Brightness	0-1	0	0: Dim without key touch 1: Always on
P-02	Fan work mode	0-1	0	0: fan and valve will be shutdown if room temp. reaches setting temp.; 1: only valve will be shutdown if room temp. reaches setting temp. The fan will continuously work in low speed.
P-03	Reserve			
P-04	Temp. Unit	0-1	0	0: Celsius 1: Fahrenheit
P-05	Beep	0-2	1	0: Mute 1: Low 2: High
P-06	Power Failure Memory	0-2	0	When power on again: 0: device will be in shutdown state ("OFF"); 1: device will be in working interface; 2: device will stay the status before power failure.
P-07	Temp. Calibration	-5.0 ~ +5.0 °C	0°C	
P-08	Temp. upper limit	5-99.5°C	35°C	Upper limit always > lower limit
P-09	Temp. lower limit	5-99.5°C	5°C	
P-10	Factory restore		53	Write 55

Specification

- Power Supply: AC85V~260V, 50/60HZ
- Resistive Load: 3A
- Self Consumption: less than 1W
- Temperature Sensor: NTC 15K
- Display Accuracy: 0.1°C
- Working Environment: 0~55°C; less than 95% RH (Non-condensation)
- Temperature Setting: 5~35°C (Adjustable)
- Dimension: 86* 86*42mm
- Hole Pitch: 60-65mm (86 Standard junction box)
- Z-Wave Frequency: 868.42MHz (EU)

Quick trouble shooting

Here are a few hints for network installation if things dont work as expected.

1. Make sure a device is in factory reset state before including. In doubt exclude before include.
2. If inclusion still fails, check if both devices use the same frequency.
3. Remove all dead devices from associations. Otherwise you will see severe delays.
4. Never use sleeping battery devices without a central controller.
5. Dont poll FLIRS devices.
6. Make sure to have enough mains powered device to benefit from the meshing

Association - one device controls an other device

Z-Wave devices control other Z-Wave devices. The relationship between one device controlling another device is called association. In order to control a different device, the controlling device needs to maintain a list of devices that will receive controlling commands. These lists are called association groups and they are always related to certain events (e.g. button pressed, sensor triggers, ...). In case the event happens all devices stored in the respective association group will receive the same wireless command wireless command, typically a 'Basic Set' Command.

Association Groups:

Group Number	Maximum Nodes	Description
1	1	Lifeline

Configuration Parameters

Z-Wave products are supposed to work out of the box after inclusion, however certain configuration can adapt the function better to user needs or unlock further enhanced features.

IMPORTANT: Controllers may only allow configuring signed values. In order to set values in the range 128 ... 255 the value sent in the application shall be the desired value minus 256. For example: To set a parameter to 200 it may be needed to set a value of 200 minus 256 = minus 56. In case of a two byte value the same logic applies: Values greater than 32768 may needed to be given as negative values too.

Parameter 1: Upload temperature format automatically

Size: 1 Byte, Default Value: 2

Setting	Description
0	Celsius
1	Fahrenheit
2	Follow the main display

Parameter 2: Upload temperature automatically

Size: 1 Byte, Default Value: 3

Setting	Description
0	Off
1	Upload the difference value only
2	Timing upload mode only
3	Upload the difference+timing upload mode

Parameter 3: Upload temperature difference

Size: 2 Byte, Default Value: 5

Setting	Description
3 - 1000	Base on 0.1°C unit

Parameter 4: Upload time interval regularly

Size: 2 Byte, Default Value: 30

Setting	Description
10 - 65535	Base on 1s unit, it suggest to be set above 30s

Parameter 255: Factory setting

Parameters setting back to default value, association groups deleted

Size: 1 Byte, Default Value: 0

Setting	Description
85	Factory setting

Technical Data

Dimensions	0.0860000x0.0860000x0.0390000 mm
Weight	240 gr
Hardware Platform	ZM5101
EAN	6928954201905
IP Class	IP 21
Voltage	230 V
Load	3A
Device Type	Thermostat
Firmware Version	03.00
Z-Wave Version	04.21
Z-Wave Product Id	015f.0801.5102
Frequency	Europe - 868,4 Mhz
Maximum transmission power	5 mW

Supported Command Classes

- Basic
- Sensor Multilevel
- Thermostat Mode
- Thermostat Operating State
- Thermostat Setpoint
- Thermostat Fan Mode
- Thermostat Fan State
- Association Grp Info
- Device Reset Locally
- Zwaveplus Info
- Configuration
- Manufacturer Specific
- Powerlevel
- Firmware Update Md
- Association
- Version

Explanation of Z-Wave specific terms

- **Controller** — is a Z-Wave device with capabilities to manage the network. Controllers are typically Gateways, Remote Controls or battery operated wall controllers.
- **Slave** — is a Z-Wave device without capabilities to manage the network. Slaves can be sensors, actuators and even remote controls.
- **Primary Controller** — is the central organizer of the network. It must be a controller. There can be only one primary controller in a Z-Wave network.
- **Inclusion** — is the process of adding new Z-Wave devices into a network.
- **Exclusion** — is the process of removing Z-Wave devices from the network.
- **Association** — is a control relationship between a controlling device and a controlled device.
- **WakeUp Notification** — is a special wireless message issued by a Z-Wave device to announces that is able to communicate.
- **Node Information Frame** — is a special wireless message issued by a Z-Wave device to announce its capabilities and functions.

(c) 2020 Z-Wave Europe GmbH, Antonstr. 3, 09337 Hohenstein-Ernstthal, Germany, All rights reserved, www.zwave.eu. The template is maintained by [Z-Wave Europe GmbH](#). The product content is maintained by Z-Wave Europe GmbH, Supportteam, support@zwave.eu. Last update of the product data: 2018-04-27 10:14:40