



Toyota Highlander (Without factory 12.3 inch screen) 2020

Visit MetraOnline.com for more detailed information about the product and up-to-date vehicle specific applications

KIT FEATURES

- ISO DDIN radio provision*
- Painted gloss black



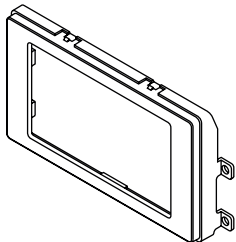
* This kit is designed for an ISO DDIN radio which have an "L" shaped chassis design, with the radio chassis at the bottom of the screen, or Pioneer modular 6.8" radios.

† Refer to the radio manufacturer for current models

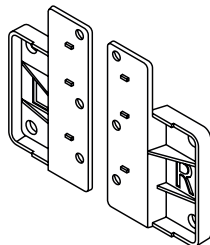
KIT COMPONENTS

- A) Radio trim panel • B) Screen brackets • C) Radio chassis brackets

A



B



C

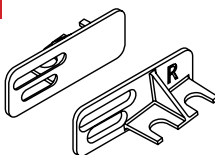


TABLE OF CONTENTS

Dash Disassembly	2
Kit Assembly	
–ISO DDIN radio provision	2
–Pioneer Modular radio provision	3

WIRING & ANTENNA CONNECTIONS (sold separately)

Wiring Harness: 70-1765 non-amplified
See metra-online.com or axessinterfaces.com
for audio and SWC interface options
Antenna Adapter: 40-LX11

TOOLS REQUIRED

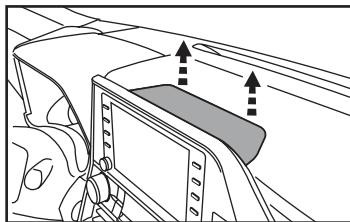
- Panel removal tool • 10mm socket
- Phillips screwdriver

Attention! Let the vehicle sit with the key out of the ignition for a few minutes before removing the factory radio. When testing the aftermarket equipment, ensure that all factory equipment is connected before cycling the key to ignition.

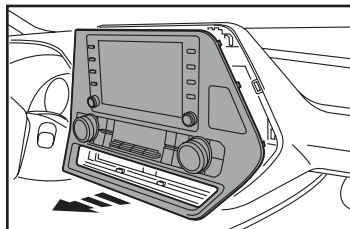
DASH DISASSEMBLY

1. Unclip and remove the trim behind the radio. Remove (4) 10mm screws exposed. (Figure A)
2. Unclip, unplug, and remove the radio and panel. (Figure B)
3. Remove (4) Phillips screws securing the factory radio to the dash panel. (Figure C)

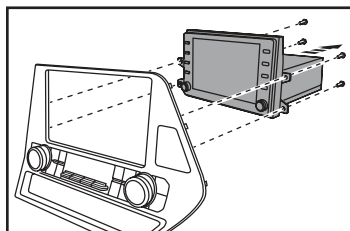
Continue to Kit Assembly



(Figure A)



(Figure B)

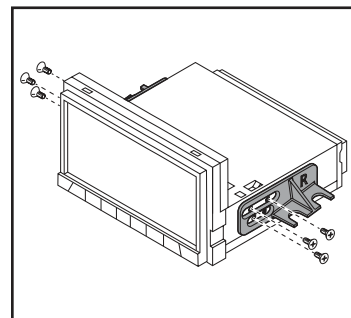


(Figure C)

KIT ASSEMBLY

Bottom chassis radio provision

1. Secure the **radio brackets** to the radio using screws supplied with the radio. (Figure A)
2. Slide the radio assembly into to the dash and secure using the factory screws.
3. Secure the **radio trim panel** into the factory dash panel.
4. Locate the factory wiring harness and antenna connector in the dash and complete all necessary connections to the radio. Metra recommends using the proper mating adapter from Metra and/or Axxess. Test the radio for proper operation.
5. Reassemble the dash in reverse order of disassembly to complete the installation.



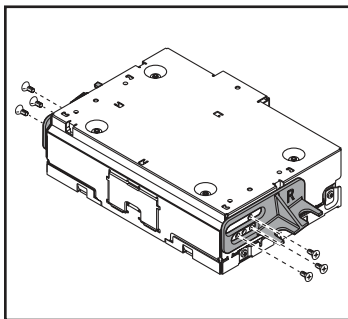
(Figure A)

KIT ASSEMBLY (CONT.)

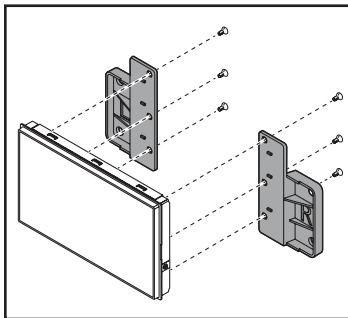
Pioneer Modular DDIN radio provision

Note: For steps 1 and 2, reference the installation manual provided with the radio for which hardware to use. The display screen and radio chassis use two different types of screws.

1. Secure the **radio brackets** to the radio chassis using (4) screws supplied with the radio. (Figure A)
2. Slide the radio chassis into to the dash, then secure using the factory screws.
3. Secure the radio display to the **screen brackets** using (6) screws supplied with the radio. (Figure B)
4. Place the **radio trim panel** into to the factory dash panel, then the radio screen assembly, and secure using the factory screws. (Figure C)

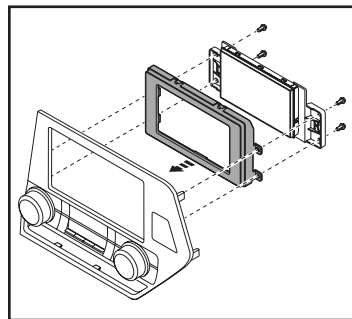


(Figure A)



(Figure B)

5. Locate the factory wiring harness and antenna connector in the dash and complete all necessary connections to the radio. Metra recommends using the proper mating adapter from Metra and/or Axxess. Test the radio for proper operation.
6. Connect the radio display to the radio chassis.
7. Reassemble the dash in reverse order of disassembly to complete the installation.



(Figure C)



107-T07HG
INSTALLATION INSTRUCTIONS



Having difficulties? We're here to help.



Contact our Tech Support line at:

386-257-1187



Or via email at:

techsupport@metra-autosound.com

Tech Support Hours (Eastern Standard Time)

Monday - Friday: 9:00 AM - 7:00 PM

Saturday: 10:00 AM - 7:00 PM

Sunday: 10:00 AM - 4:00 PM



® KNOWLEDGE IS POWER

Enhance your installation and fabrication skills by enrolling in the most recognized and respected mobile electronics school in our industry. Log onto www.installerinstitute.com or call 800-354-6782 for more information and take steps toward a better tomorrow.



**Metra recommends MECP
certified technicians**