

morphy richards®

smart ideas for your home

Essence Scandi 1.7L Jug Kettle



Model: MRESK17CB

INSTRUCTION MANUAL

Read these instructions carefully before using this appliance for the first time.

STORE THESE INSTRUCTIONS CAREFULLY

For product hints and tips plus more join us at

www.morphyrichards.com.au

 facebook.com/MorphyRichardsAUS

 instagram.com/morphyrichardsau

IMPORTANT SAFETY INSTRUCTIONS

WARNING

To reduce the risk of fire, electric shock, injury to persons or damage to property, follow basic precautions including the following:

- **WARNING:** Misuse of appliance could cause personal injury.
- **WARNING:** Do not operate the kettle on an inclined plane. Do not operate the kettle unless the element is fully immersed. Do not move while the kettle is switched on.
- **WARNING:** To prevent damage to the appliance, do not use alkaline cleaning agents. When cleaning, use a soft cloth and a mild detergent.
- **WARNING:** Avoid spillage on the connector.
- **WARNING:** Do not open the lid whilst the water is boiling.
- The appliance is only to be used with the base provided.
- Do not let the appliance operate without water inside the kettle.
- This appliance is not intended for use by persons (including children) with reduced physical, sensory or mental capabilities, or lack of experience and knowledge, unless they have been given supervision or instruction concerning use of the appliance by a person responsible for their safety.
- Close supervision is necessary when the appliance is operating. Do not keep the appliance in the standby state for a long time. Children should be supervised to ensure that they do not play with the appliance.
- Cleaning and user maintenance should not be done by children.
- Keep the appliance and cord out of the reach of children.

IMPORTANT SAFETY INSTRUCTIONS

- This appliance must be used in accordance with the instructions and must not be used for other purposes.
- This appliance is intended to be used in household and similar applications such as:
 - staff kitchen areas in shops, offices and other working environments;
 - farm houses;
 - by clients in hotels, motels and other residential type environments;
 - bed and breakfast type environments.
- The use of attachments or tools not recommended or sold by Morphy Richards, may cause fire, electric shock or injury.

Location

- **WARNING:** Do not place the appliance on a metal tray or metal surface whilst in use.
- For indoor use only. Do not use outdoors.
- Always locate your appliance away from the edge of the worktop.
- Ensure that the appliance is used on a firm, flat surface.
- The appliance shall not be placed in a cabinet when in use.
- Do not place on or near a hot gas or electric burner or in a heated oven.

Power cord

- It is recommended not to use this appliance with extension leads and/or power boards.

IMPORTANT SAFETY INSTRUCTIONS

- Do not let the cord hang over the edge of a table or counter and keep it away from any hot surfaces.
- Do not let the cord run across an open space e.g. between a low socket and table.
- The power cord should reach from the socket to the appliance without straining the connections.
- If the power cord is damaged, it must be replaced by the manufacturer, its service agent or similarly qualified persons in order to avoid a hazard.
- Remove the plug from the socket, grasp the plug and pull out the power cord, do not pull on the cord directly.

Personal safety

- **WARNING:** To protect against fire, electric shock and personal injury do not immerse cord, plug and appliance in water or any other liquid.
- **WARNING:** The appliance surface and element is subject to residual heat after use.
- Always keep the top of the power base dry, especially around the connection area, disconnect the power supply before drying. Allow to dry thoroughly before reconnection to the power supply.
- Do not fill above the MAX mark, otherwise boiling water maybe ejected.
- The temperature of accessible surfaces may be high when the appliance is operating.
- To disconnect, turn any control to OFF, unplug from the outlet before cleaning.

IMPORTANT SAFETY INSTRUCTIONS

- Allow to cool before putting on or taking off parts and before cleaning.
- Do not move the appliance while switched on.
- Extreme caution must be used when moving an appliance containing hot liquids.
- Be careful of refilling when the kettle is hot. If the kettle is overfilled, boiling water may spill out. Pour out boiling water slowly.
- Do not touch the hot surface. Use the handle or the button.
- While water is boiling, or just after the water has been boiled, avoid contacting with steam from the spout.

Treating scalds

- Always ensure the lid is closed and do not lift the kettle while water is boiling. Be careful of hot steam, as it can be ejected from the appliance.
- Run cold water over the affected area immediately. Do not stop to remove clothing, seek medical advice quickly.

Electrical requirements

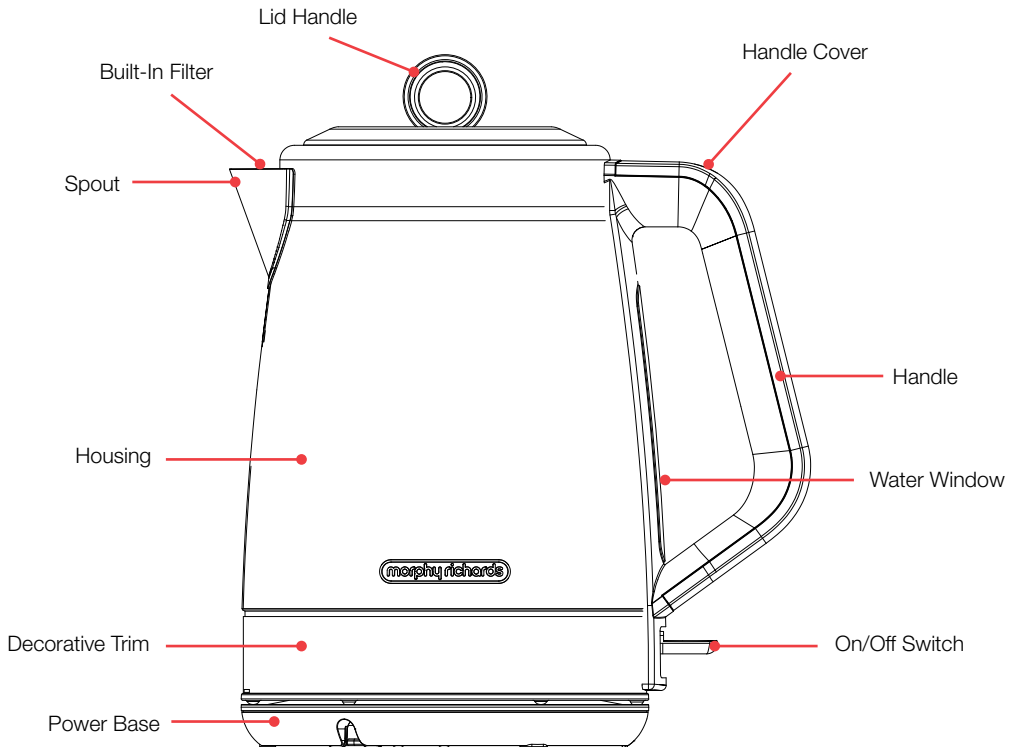
- Check that the voltage on the rating label of your appliance (under the kettle and base) corresponds with your house electricity supply which must be A.C.
- The base provided can not be used for other than intended use.

READ CAREFULLY AND KEEP FOR FUTURE REFERENCE

SPECIFICATIONS

Model:	MRESK17CB
Colour:	Cobalt Blue
Rated Power:	1850-2200W
Rated Voltage & Frequency:	220-240V~ 50-60Hz
Capacity:	1.7L
Dimensions (W x D x H):	221 x 154 x 262mm
Net Weight:	1kg

PRODUCT OVERVIEW



BEFORE FIRST USE

1. Remove all packaging materials.
2. Check that all accessories are complete and the appliance is not damaged.
3. Clean all parts to remove any dust or manufacturing residue.
4. If you are using the kettle for the first time, it is recommended that you should clean your kettle before use by boiling the Max capacity of water and then discarding the water twice. Wipe the surface with a damp cloth.

NOTE: The maximum capacity of this kettle is 1.7L.

USING YOUR KETTLE

1. Place the kettle on a flat surface.
2. To fill the kettle, remove it from the power base and open the lid by lifting the lid carefully using the lid handle.
3. Fill the kettle with the desired amount of water and close the lid. The water level must be within the Min and the Max level. Too little water will cause the kettle to switch off before the water has boiled.

WARNING: Do NOT fill the water above the maximum level, as water may spill out of the spout when boiling. Ensure that the lid is firmly in place before plugging into the power outlet.

4. Position the kettle on the power base and connect the plug into a power outlet.

NOTE: The kettle is fitted with a built-in water filter that keeps debris and other particles from being poured into your cup.

USING YOUR KETTLE

5. Press down the On/Off switch and the light will illuminate, then the kettle starts to boil the water. The kettle will switch off automatically once the water has boiled. If necessary, wait 30 seconds before pressing the switch again to re-boil the water. You may shut off the power by lifting the On/Off switch up or directly lifting the kettle from the power base at any moment to stop the boiling process.

NOTE: Ensure that the On/Off switch is free from obstructions and the lid is firmly closed, the kettle will not turn off if the switch is obstructed or if the lid is open.

6. Carefully lift the kettle from the power base and then pour the water out slowly.

NOTE: Should you accidentally let the kettle operate without water, the boil-dry protection function will automatically switch off the power. If this occurs, allow the kettle to cool prior to filling with cold water before re-boiling.

NOTE: Always disconnect the power supply when not use.

WARNING: Both the kettle and water will be hot.

DECALCIFICATION

Minerals like calcium and limestone can be found in water and may leave deposits in the appliance and can affect its performance. De-calcifying the appliance is an important part of ensuring your drinks always tastes great! We recommend de-calcifying the appliance periodically to keep it at peak performance following the steps below or using a commercially available descaler and follow the instructions on the package.

1. Fill the kettle with 3 cups of white vinegar, then add water to cover the bottom of the kettle completely.
2. Leave the solution in the kettle overnight.
3. Discard the mixture in the kettle, and fill the kettle with clean water to the maximum position, boil and discard the water.
4. Repeat several times until the odour of vinegar has been removed. Any stains remaining inside the spout can be removed by rubbing with a damp cloth.

CARE & CLEANING

1. Always disconnect the kettle from the power outlet and allow it to cool down completely before cleaning.
2. Never immerse the kettle, power cord or power base in water, or allow moisture to come in contact with these parts.
3. Wipe the appearance of the kettle body with a damp cloth or cleaner, never use an abrasive cleaner.

NOTE: Do not use chemical, steel, wooden or abrasive cleaners to clean the outside body of the kettle.

NOTE: When not in use or in storage, the power cord may be wound under the bottom of kettle power base.

IMPORTANT: Ensure that the electrical connections are completely dry before using the appliance.

MAINTENANCE

If the unit fails to operate efficiently, is broken or other problems arise, unplug and do not operate.

Ask for advice by calling your local after sales service agent or the Customer Care Centre on 1300 556 816 (AU) / 0800 666 2824 (NZ).

WARRANTY

Please refer to the warranty letter in the box for warranty information. For any troubleshooting advice, please contact the relative Customer Care Centre below.

Glen Dimplex Australia Pty Ltd
8 Lakeview Drive,
Scoresby 3179, Victoria
Australia
Ph: 1300 556 816

Glen Dimplex New Zealand Ltd
38 Harris Road, East Tamaki,
Auckland 2013
New Zealand
Ph: 0800 666 2824



Recycling: Do not dispose of electrical appliances as unsorted municipal waste. Use separate collection facilities. Contact your local government for information regarding the collection systems available. If electrical appliances are disposed of in landfills or dumps, hazardous substances can leak into the ground water, polluting the food chain and damaging health and wellbeing.

Expanded Polystyrene Disposal: The websites listed below can assist in the responsible disposal of EPS (Expanded Polystyrene) packaging products.

Australia: <https://recyclingnearyou.com.au/polystyrene> and/or <http://epsa.org.au>

New Zealand: <https://greenbusinesshq.com/epsrecycling> and/or

<https://www.plastics.org.nz/environment/recycling-disposal/eps-recycling>

morphy richards®

Glen Dimplex Australia Pty Ltd

8 Lakeview Drive

Scoresby VIC 3179

Phone: 1300 556 816

Email: seasonal.support@glendimplex.com.au

Web: www.morphyrichards.com.au

© Glen Dimplex Australia. All rights reserved. Material contained in this publication may not be reproduced in whole or in part, without prior permission in writing of Glen Dimplex Australia.