

Your property guardian at day and night

**netvue**

Vigil Camera Quick Guide



# Warning

This equipment has been tested and found to comply with the limits for a Class B digital device, pursuant to Part 15 of the FCC Rules. These limits are designed to provide reasonable protection against harmful interference when the equipment is operated in a commercial environment. This equipment generates uses and can radiate radio frequency energy and, if not installed and used in accordance with the instructions, may cause harmful interference to radio communications.

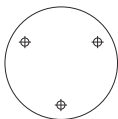
The antennas used for this transmitter must be installed to provide a separation distance of at least 20 cm from all persons and must not be co-located for operating in conjunction with any other antenna or transmitter.

FCC (USA) 15.9 prohibition against eavesdropping except for the operations of law enforcement officers conducted under lawful authority, no person shall use, either directly or indirectly, a device operated pursuant to the provision of this part for the purpose of overhearing or recording the private conversations of other unless such use is authorized by all of the parties engaging in the conversation.

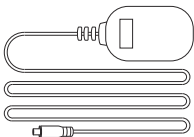
## CE RED

This product can be used across EU member states.

# What's In The Box



Drilling Template



Power Adapter



Quick Guide



Hex Key



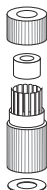
Mounting Screws



Anchors



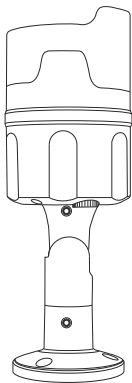
Drill Bit



Weatherproof Tube



Antenna

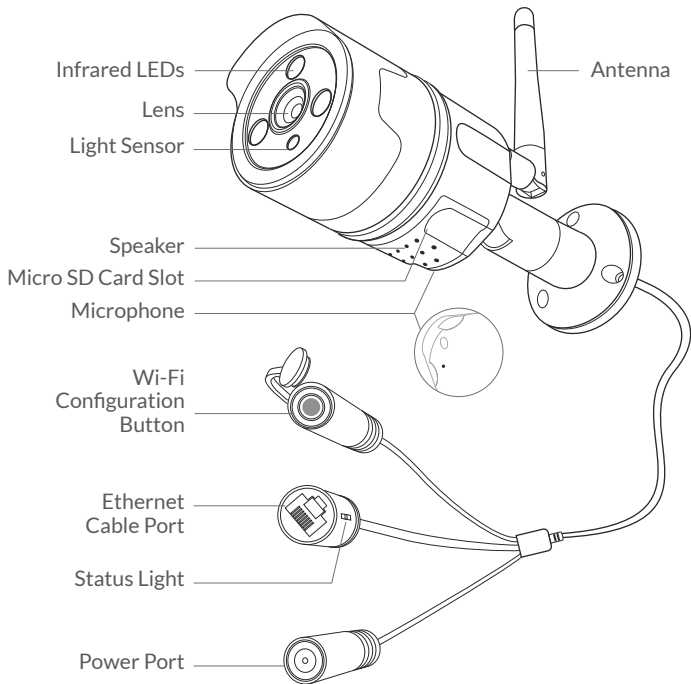


Vigil Camera

# Installation Guide Catalogue

- |                              |          |
|------------------------------|----------|
| 1. More About Vigil Camera   | P. 1-2   |
| 2. Read Before Installing    | P. 3     |
| 3. Set Up with Netvue App    | P. 4-13  |
| 4. Vigil Camera Installation | P. 14-21 |
| 5. Status Light              | P. 22    |

# More about Vigil Camera



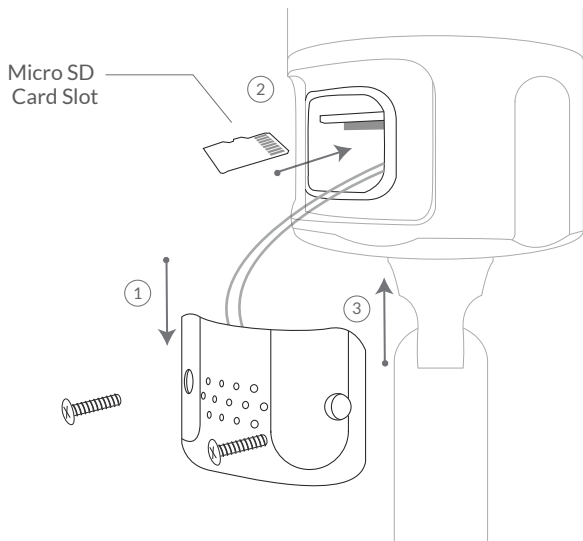
## How to Insert Micro SD Card

Vigil Camera comes with a built-in card slot which supports up to 128GB Micro SD card. Once you insert the storage card, the camera will automatically start to record and store videos on the storage card. Videos can be replayed by dragging the timeline below the live feed screen in Netvue App.

**Step 1:** Loosen the screws. Take off the cover gently since wires are attaching to it.

**Step 2:** Insert Micro SD card. Make sure you insert it in the correct direction. The back of the card should face up.

**Step 3:** Put the cover back and tighten the screws.



# Read Before Installing

1. Keep the Vigil Camera and all accessories out of reach of children and pets.
2. Power supply voltage that is required to operate Vigil Camera should be 12VDC ( $\geq 1000\text{mA}$ ).
3. The product can only be used in proper temperature and humidity:  
Operating temperature:  $-20^{\circ}\text{C} - 50^{\circ}\text{C}$  ( $-4^{\circ}\text{F} - 122^{\circ}\text{F}$ )  
Operating humidity: 0-90%.
4. Please do not expose the camera lens to direct sunlight.
5. Please do not install the camera to the place that is likely struck by lightning.

# Set Up with Netvue App

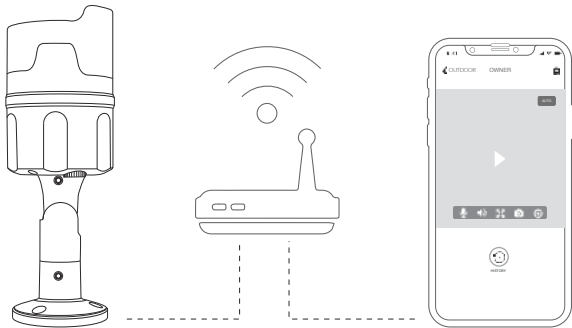
Please add the Vigil Camera onto your Netvue account through Netvue App before mounting it outside.

## Connecting Method

There are two ways of adding Vigil Camera onto Netvue App: Wireless Connection and Wired Connection.

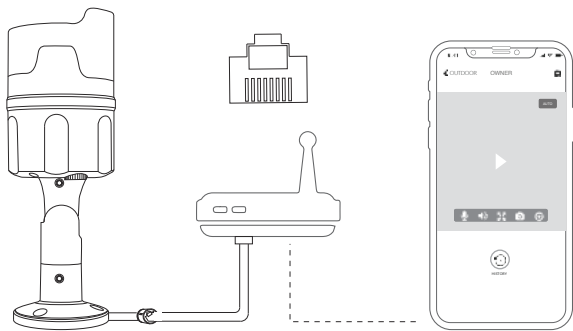
### Wireless connection

Wireless connection uses Wi-Fi to connect the camera to the App. It is the easiest way if the installation spot is close to your router and have a strong Wi-Fi signal. Please note that thick or insulated wall may weaken the signal dramatically. Before you decide to choose this connection method, check the Wi-Fi signal at your installation spot.

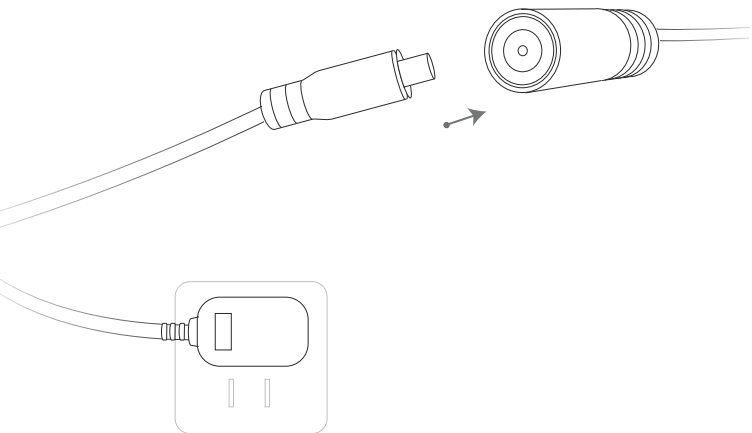


## Wired connection

If the Wi-Fi signal strength is weak at your installation spot, the Ethernet cable connection might be your solution. An Ethernet cable is required for this connection method. Plug one end of the Ethernet cable into Vigil Cam, and the other end into the LAN port on your router. Then follow the in-app instruction to complete the following set up process.



## Add Camera to Netvue App



1. Power on Vigil Camera with the provided power adapter.  
You should hear a chime once it has fully started.



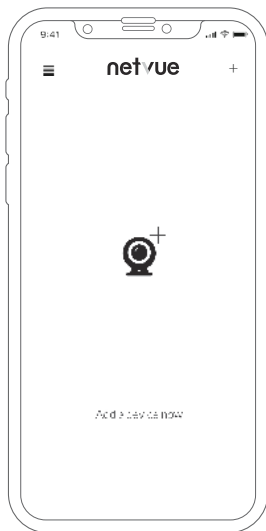
Download Netvue App



2. Download Netvue App from App Store or Google Play onto your phone.



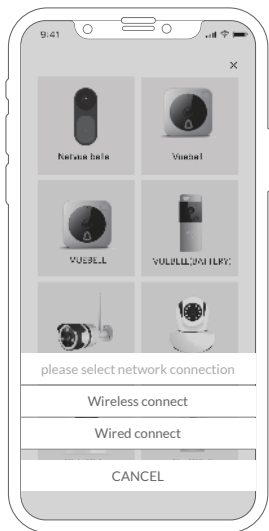
3. Register an account if you are a new user to Netvue. If you already have an account, log into your account.



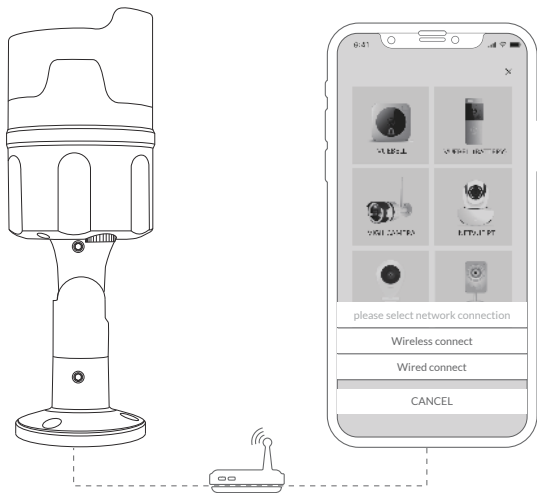
4. Tap “+” at the top right corner to add a new device.



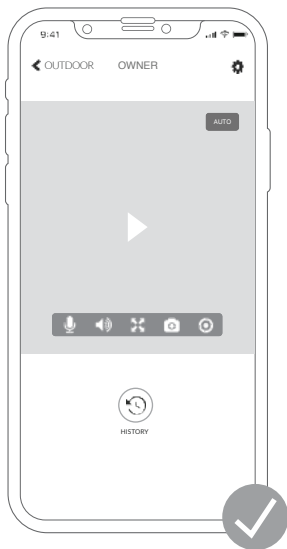
5. A product list will show up, choose “Vigil Camera.”



6. Choose a connecting method.



7. Follow the in-app instruction to complete the entire set up process.



8. Test the video streaming.  
Now move to Vigil Camera installation.

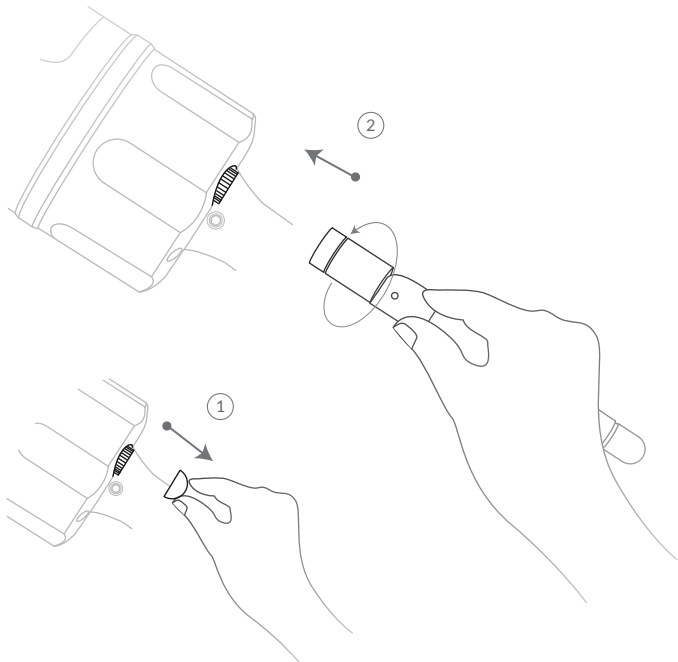
# Vigil Camera Installation

Check following things before you starting to drill holes on your wall:

1. Vigil Camera has been successfully added to your Netvue App and is able to stream video.
2. Have planned the cable route. Measured the length of the power cable and Ethernet cable (if you plan to use Ethernet connection) you will need.

**Step 1:**

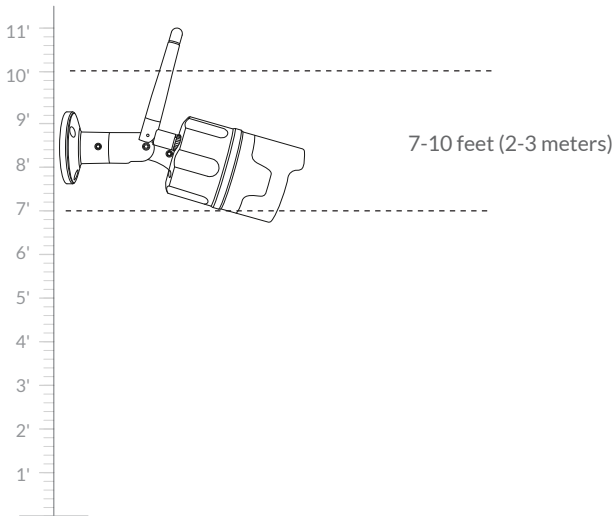
Take off the anti-dust cap. Attach the provided antenna to Vigil Camera.



## Step 2:

Find a good installation spot.

- We recommend installing the Vigil camera just 7-10 feet (2-3 meter) above the ground for a better two-way audio experience.
- There is a power outlet nearby.
- Test whether Vigil camera can stream video smoothly at the spot.
- Make sure nothing blocks the camera's sight.

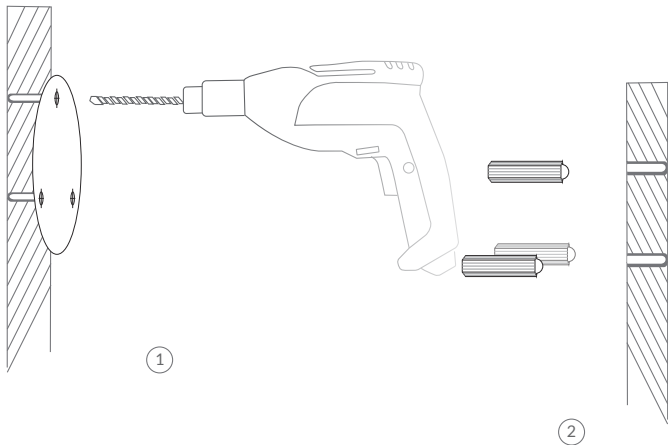


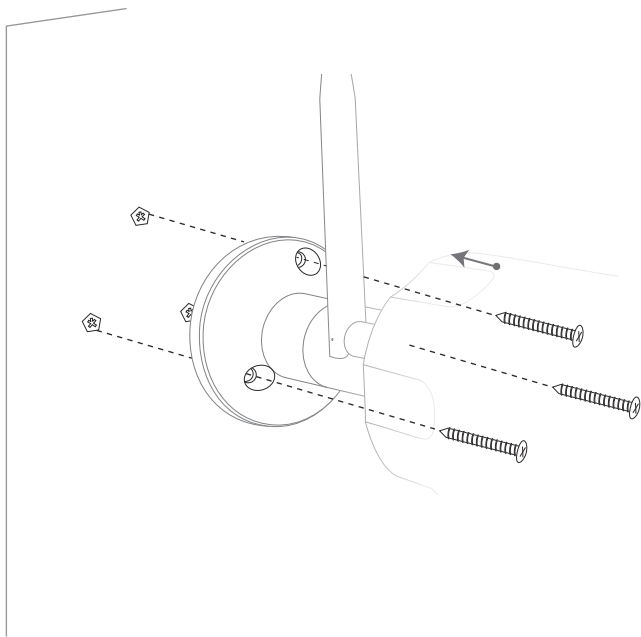
### Step 3:

Before you starting to drill, make sure you know the locations of wall-in pipes and electrical wires. (If you are not comfortable with drilling holes, please consult with a licensed electrician.)

#### Install Camera on Concrete or Brick:

Use the provided drilling template to mark the position of holes on your wall. Use the provided drill bit to drill three holes, and then install anchors to hold screws.

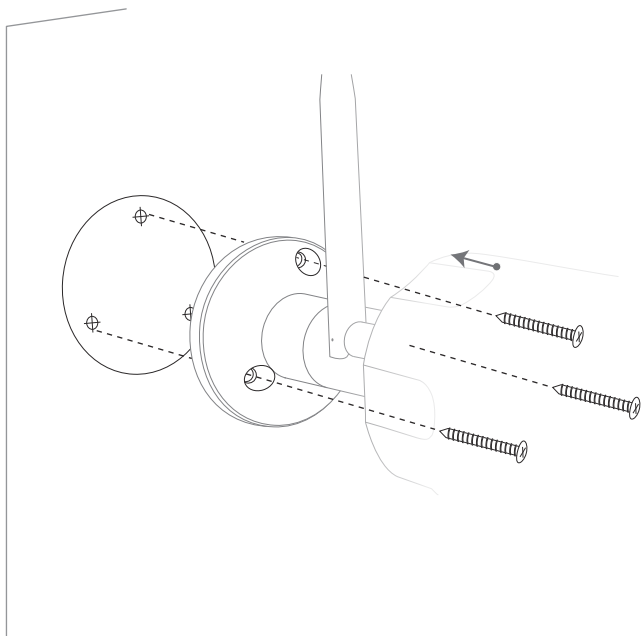




3

### Install Camera on Wood:

Use the provided drilling template to mark the position of holes on your wall. Directly tighten the included screws to secure the camera.



#### Step 4 (Wired Connection):

Read this step if you are using wired connection, otherwise skip to Step 5. This step requires the skill of making an Ethernet cable. Consult with the electrician if you are not sure how to do it.

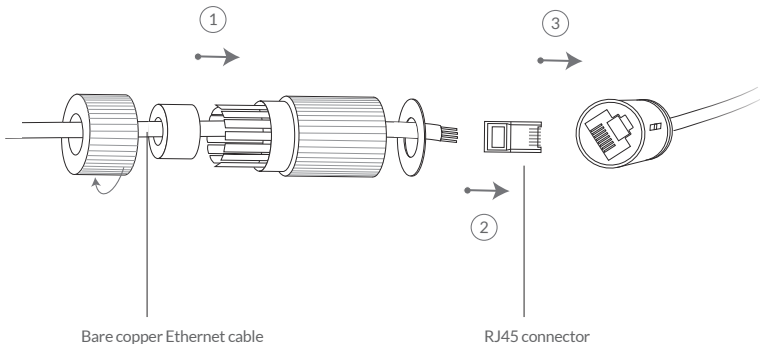
A weatherproof tube is needed for Ethernet cable to avoid leaking water into Ethernet cable port. Cut off the Ethernet cable at the length you want. Insert the cable into the weatherproof tube, and carefully attach RJ-45 connector to the cut ends. Test the cable is working before installing.

#### Things you need:

Bare copper Ethernet cable

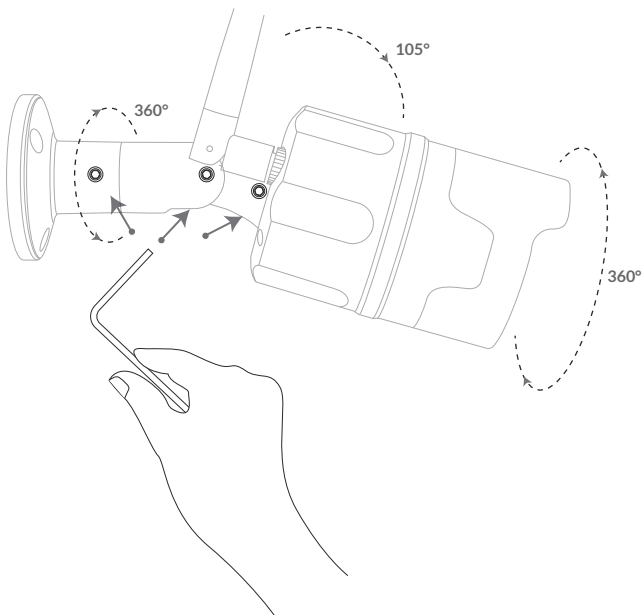
RJ45 connector

RJ45 crimping tool



**Step 5:**

Use the hex key to loosen screws on the hinge. Point the camera to your designate direction, then tighten the screws.



# Status Light

Netvue Vigil Camera uses status light to communicate.

Status Light	Description
Green	Online
Blinking Green	Wi-Fi Configuration Mode
Slowly Blinking Green	Offline
None	Not Working Properly

# netvue

Feel free to contact us for additional help:



[support@netvue.com](mailto:support@netvue.com)



1(866)749-0567



Chat with us through App



@NetvueTech

[www.netvue.com](http://www.netvue.com)

240 W Whitter Blvd Ste A, La Habra, CA 90631

© 2010-2018 Netvue Technologies Co., Ltd. All Rights Reserved.

Version 1.0

The logo for netvue, with 'net' in black and 'vue' in black with a teal 'v'.

产品名称:

Vigil Camera

印刷颜色:

单色黑

装帧:

骑马钉(28页)

日期:

2018-03-05

说明书尺寸:

105mm\*130mm

材质:

80g书写纸

设计师:

加乔

black

magenta

cyan

yellow

#### 设计文件须知

- 1.此文件为Netvue市场部出品,请勿修改相关设计文件,如有修改请联系设计师
- 2.所有的文件需经相关部门负责人审核校对
- 2.设计师在交稿之前应对文件仔细校对以确保图纸准确性
- 3.生产过程中涉及的纸张、色彩等需与设计沟通