

LED V3 COMPASS HIGH BAY

INSTALL INSTRUCTIONS



PLEASE FIND A QUALIFIED ELECTRICIAN FOR INSTALLATION. Please read the instructions before you install and use the luminaire.

WARNING, CAUTIONS AND OPERATING INSTRUCTIONS

- To reduce the risk of death, personal injury or property damage from fire, electric shock, falling parts, cuts/abrasions, and other hazards read all warnings and instructions included with and on the fixture box and all fixture labels.
- Before installing, servicing, or performing routine maintenance upon this equipment, follow these general precautions.
- Commercial installation, service and maintenance of luminaires should be performed by a qualified licensed electrician.
- For The installation: If you are unsure about the installation or maintenance of the luminaires, consult a qualified licensed electrician and check your local electrical code.
- To prevent wiring damage or abrasion, do not expose wiring to edges of sheet metal or other sharp objects.
- Do not make or alter any open holes in an enclosure of wiring or electrical components during kit installation.

WARNING: RISK OF FIRE OR ELECTRICAL SHOCK

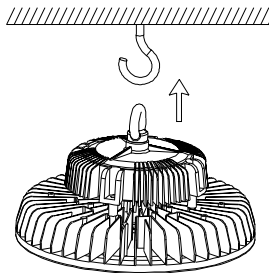
- Turn off electrical power at fuse or circuit breaker box before wiring fixture to the power supply.
- Turn off the power when you perform any maintenance.
- Verify that supply voltage is correct by comparing it with the luminaire label information.
- Make all electrical and grounded connections in accordance with the National Electrical Code and any applicable local code requirements.
- All wiring connections should be capped with UL approved wire connectors.

CAUTION: RISK OF INJURY

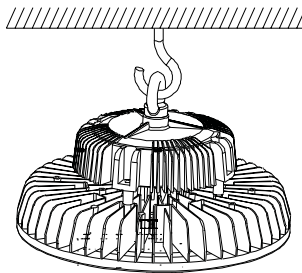
- Avoid direct eye exposure to the light source while it is on.
- Account for small parts and destroy packing material, as these may be hazardous to children.
- Mounting surface should be of sufficient strength to hold more than the weight of the fixture.
- Suitable for Wet locations.

! WARNING DISCONNECT POWER BEFORE INSTALLING OR SERVICING.

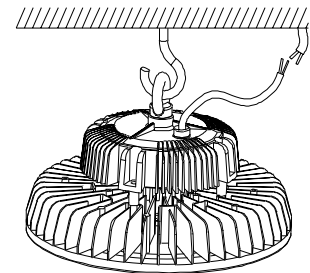
HOOK INSTALLATION - 100W / 150W / 200W / 240W



1. Drill a hole into the ceiling for the appropriate size hook (provided by installer).

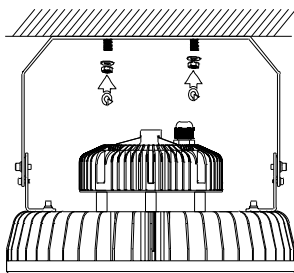


2. Secure hook to the ceiling and hang the fixture from the hook.

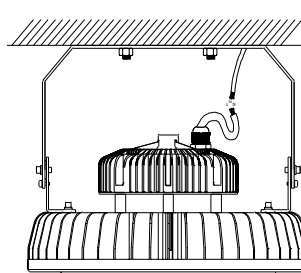


3. Connect the electrical cables; Brown-L, Blue-N, Yellow/Green-Ground. If using in wet locations, ensure all electrical connections and installation holes have a water tight seal.

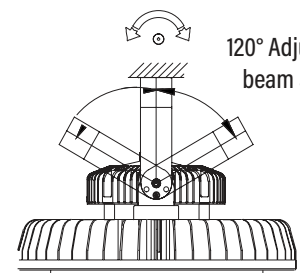
BRACKET INSTALLATION - Bracket sold separately.



1. Attach the bracket to the mounting surface.

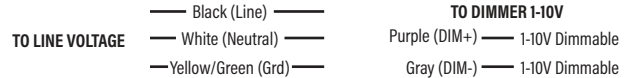


2. Connect the electrical cables. Brown-L, Blue-N, Yellow/Green-Ground. If using in wet locations, ensure all electrical connections and installation holes have a water tight seal.



3. Adjust the bracket to the beam angle you need.

GENERAL WIRING DIAGRAM



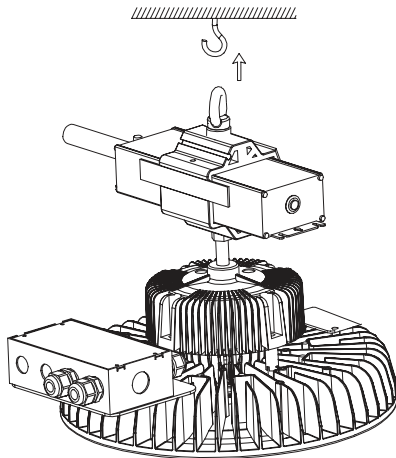
*CAP DIMMING WIRES SEPARATELY IF NOT USING THE DIMMING FUNCTION.

LED V3 COMPASS HIGH BAY

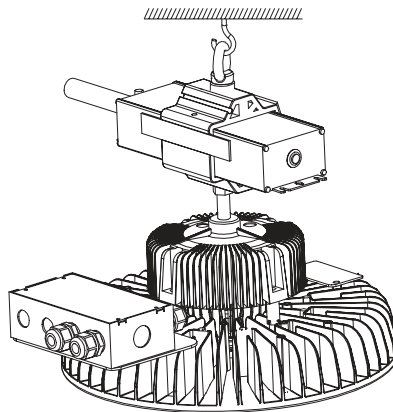
INSTALL INSTRUCTIONS



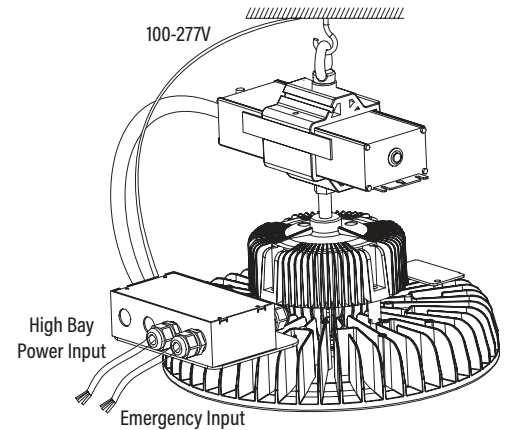
EMERGENCY DRIVER INSTALLATION - Sold separately. For use with drivers that are 200W or less.



1. Drill a hole into the ceiling for the appropriate size hook (provided by installer).



2. Secure hook to the ceiling and hang the fixture from the hook.



3. Connect the electrical cables; Black-L, White-N, Yellow/Green-Ground. If using in wet locations, ensure all electrical connections and installation holes have a water tight seal.