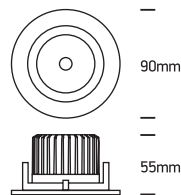


# INSTALLATION MANUAL

11107B

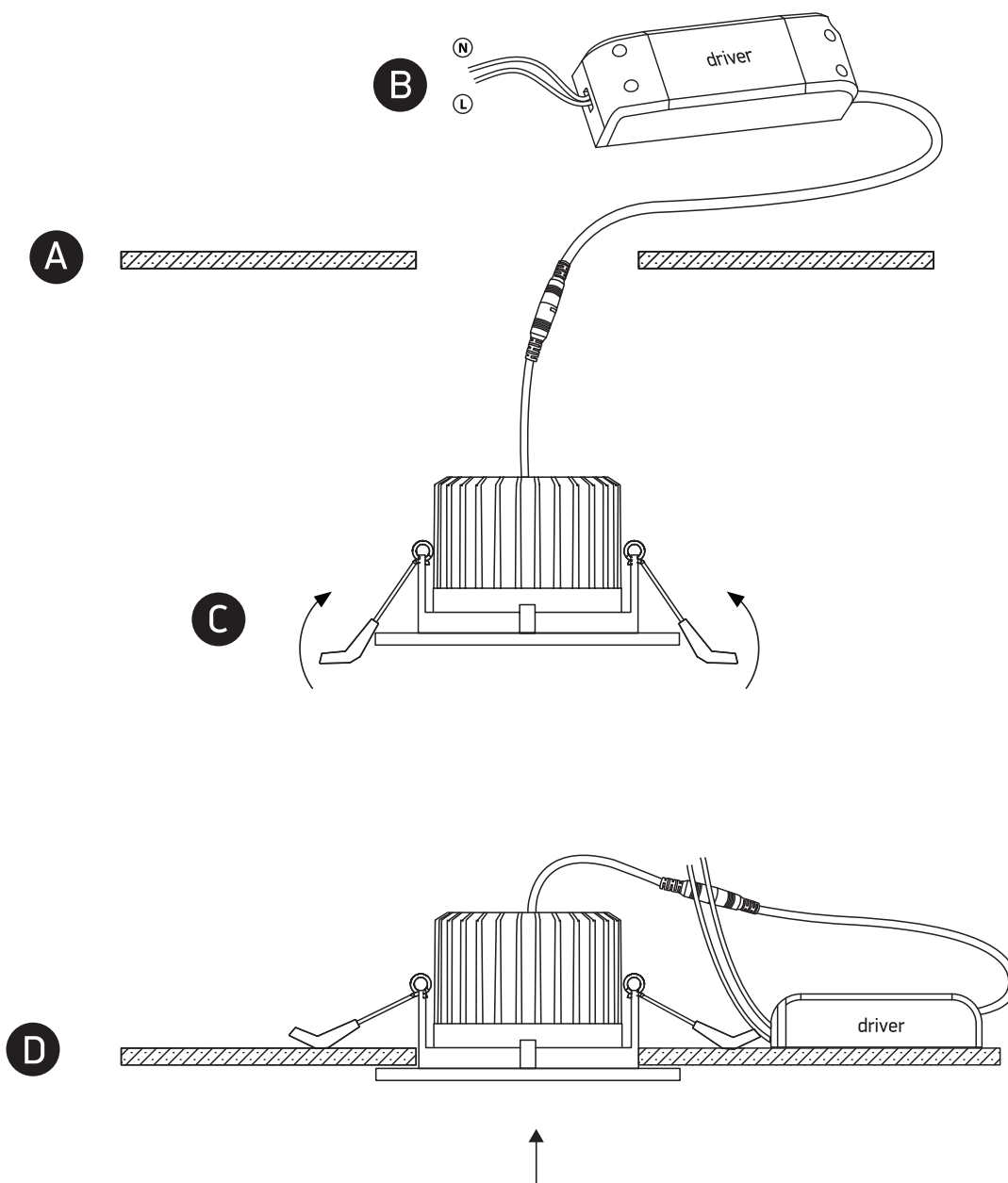
ecodownlight



230V | COB LED | 7W | IP20 | Die cast | Adjustable  
Complete with 300mA driver.



one  
LIGHT



## Warnings:

1. Make sure that the product is installed properly before connecting to electricity.
2. Do not cover the fitting.
3. Maintenance and installation should only be carried out by a professional electrician.