

## Contents

- 1 Front Cover
- 2 Safety Instructions
- 3 Assembly Instructions
- 6 Operating Instructions
- 7 Cleaning Instructions
- 8 Technical Information
- 9 Trouble Shooting
- 9 Back Cover



# Gas Patio Heater

## Contents

1	Front Cover
2	<u>Safety Instructions</u>
3	Assembly Instructions
6	Operating Instructions
7	Cleaning Instructions
8	Technical Information
9	Trouble Shooting
9	Back Cover

# Safety Instructions

## Notice: Ensure you read and fully understand instructions before use

While every attempt is made to ensure the highest degree of protection in all equipment, we cannot guarantee freedom from injury. The user assumes all risk of injury due to use. All merchandise is sold on this condition, which no representative of the company can waive or change.

- Make sure all bolts are secured before using. The user takes all responsibility for the construction and placement of the product.
- Never leave the heater unattended.
- Once you are finished with the patio heater be sure to turn it off, leaving it on can be dangerous. Allow to cool before moving/storing.
- Leaving the product outside exposed to weather, especially direct sun, rain and salt air, will speed the weathering process. This can be slowed by removing the product from these conditions, or covering it with a suitable cover.
- This product is not a toy, and is only to be used for its designated purpose.
- Do not carry out alterations or modifications to this product.
- This product is intended for outdoor use only.
- Clean only with a damp cloth. Do not use strong industrial cleaning substances. Never clean while hot or in use.
- Turn off the gas valve immediately if the smell of gas is detected.
- This gas cylinder used must be in accordance with the regulations in force.
- Never obstruct the ventilation holes of the cylinder housing.
- Never move the appliance whilst it is in operation.
- Turn off the valve at the gas cylinder or the regulator before moving the appliance.
- Do not use the heater until all connections have been leak tested.
- Both Adults and children should stay away from high temperature surface to avoid burns or clothing ignition.
- Children should be carefully supervised when they are in the area of the heater.
- Clothing or other flammable materials should not be hung on the heater or placed on or near the heater.
- Never operate heater in an explosive atmosphere like in areas where gasoline or other flammable liquids or vapours are stored.
- To protect heater from strong wind, anchor the base securely to the ground with screws.
- Only use propane or butane gas.
- A dented, rusted or damaged propane tank may be hazardous and should be checked by your tank supplier. Never use a propane tank with a damaged valve connection.
- Never connect an unregulated propane tank to the heater.
- Do not wear loose clothing or jewellery. Keep your hair, clothing and gloves away from moving parts and hot surfaces.

# Contents

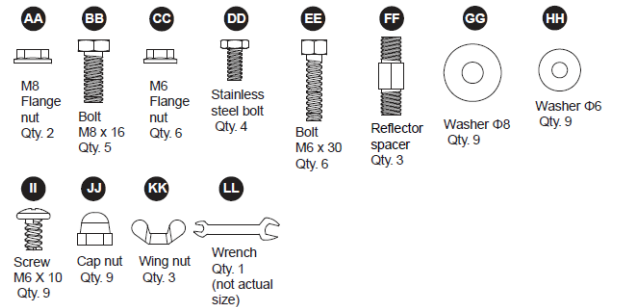
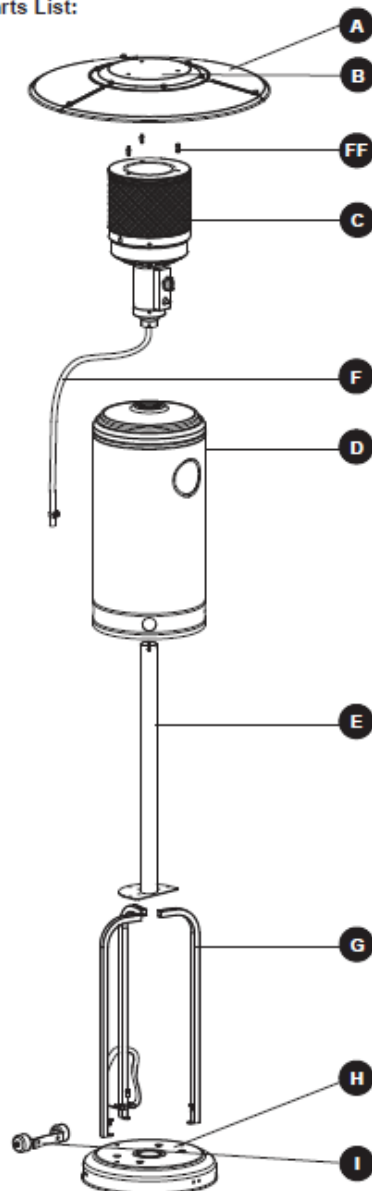
- 1 Front Cover
- 2 Safety Instructions
- 3 Assembly Instructions
- 6 Operating Instructions
- 7 Cleaning Instructions
- 8 Technical Information
- 9 Trouble Shooting
- 9 Back Cover

# Assembly Instructions

**Tools needed:**

- Open end wrench 10 & 13 mm
- Adjustable opening wrench (2) 20 cm long
- Slip joint pliers 23 cm long
- Philips screwdriver w/ medium blade
- Spray bottle of soap solution for leakage test

**Parts List:**



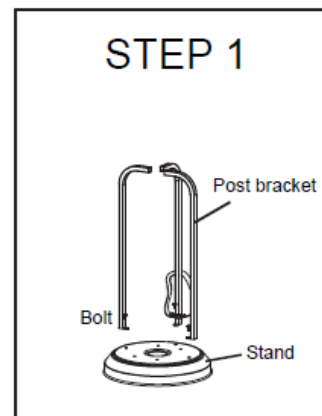
PART	DESCRIPTION	QUANTITY
A	Reflector Panel	3
B	Reflector Plate	1
FF	Reflector Stud	3
C	Head Assembly	1
D	Cylinder Housing	1
E	Post	1
F	Gas Hose	1
G	Support Bracket	3
H	Base	1
I	Wheel Kit	1

# Contents

1	Front Cover
2	Safety Instructions
3	<u>Assembly Instructions</u>
6	Operating Instructions
7	Cleaning Instructions
8	Technical Information
9	Trouble Shooting
9	Back Cover

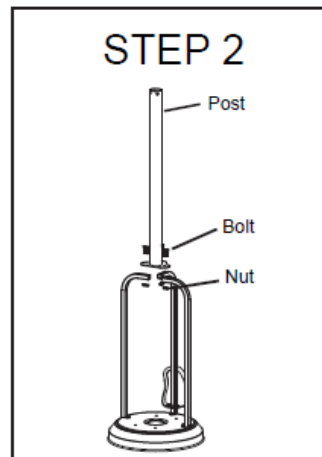
### STEP 1

- 1-1. Put the 3 pcs post brackets on each position on the base as shown in the picture.
- 1-2. Use 3 Medium Bolts(M8x16) to join the post brackets and stand.



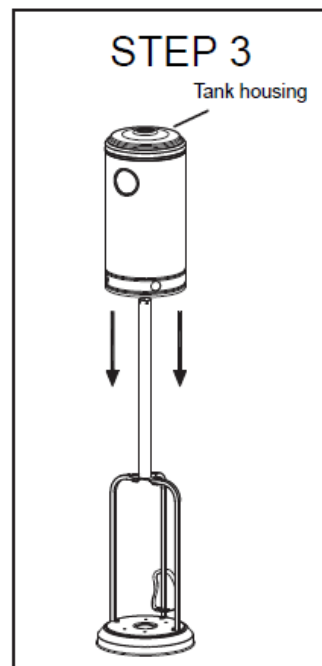
### STEP 2

- 2-1. Put the post on the top of 3 pcs post brackets.
- 2-2. Use 6 Large Bolts and Flange Nuts (M6) to connect the post to the 3 pcs post brackets. Tighten the bolts and nuts.



### STEP 3

- Place the tank housing on the stand.

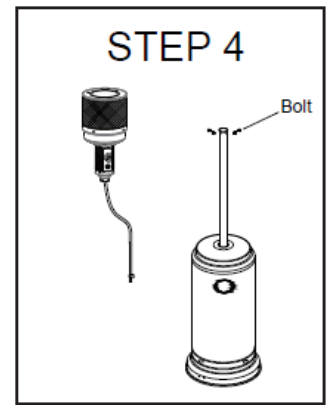


# Contents

- 1 Front Cover
- 2 Safety Instructions
- 3 Assembly Instructions
- 6 Operating Instructions
- 7 Cleaning Instructions
- 8 Technical Information
- 9 Trouble Shooting
- 9 Back Cover

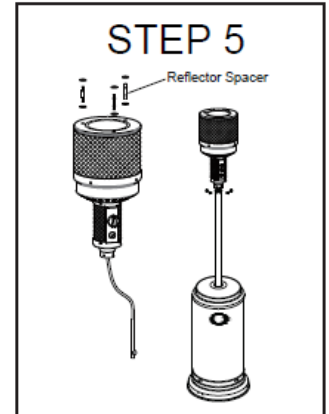
## STEP 4

- 4-1. Remove the 4 bolts from the burner.
- 4-2. Put the gas hose through into the post.
- 4-3. Fix the burner unit to the post by the 4 bolts.



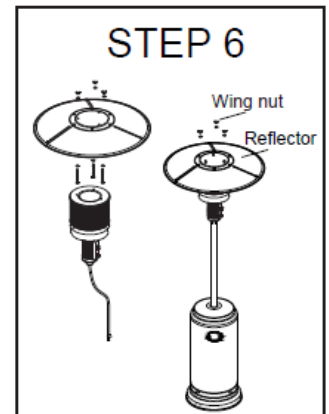
## STEP 5

- 5-1. Check whether the connection of vertical post and burner are assembled according to instructions, and all bolts and nuts are tightened.
- 5-2. Put 6 pcs Large Flat Washers on 3 Reflector Spacers.



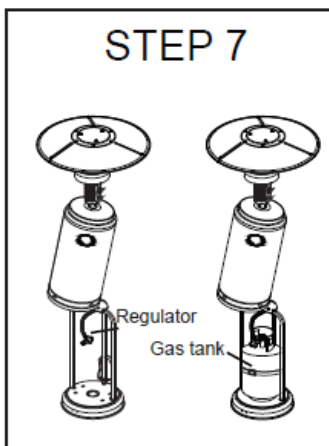
## STEP 6

Fasten the reflector with 3 pcs Large Flat Washers and 3 pcs Wing Nuts.



## STEP 7

- 7-1. Bring up the tank housing and rest it on the post plate.
- 7-2. Connect the end thread of inlet gas hose to the regulator.
- 7-3. Connect the regulator to the gas tank and tighten it with adjustable wrench.
- 7-4. Put LPG gas tank on the stand.
- 7-5. Fasten cylinder with propane tank strap.



# Operating Instructions

## Contents

1	Front Cover
2	Safety Instructions
3	Assembly Instructions
6	<u>Operating Instructions</u>
7	Cleaning Instructions
8	Technical Information
9	Trouble Shooting
9	Back Cover

**NOTE: Before first use, a gas leakage test should be conducted. To do this, follow the below instructions:**

Gas connections on the heater are leak tested at the factory prior to shipment. A complete gas tightness check must be performed at the installation site due to possible mishandling in shipment or excessive pressure being applied to the heater.

- Make a soap solution of one part liquid detergent and one part water. The soap solution can be applied with a spray bottle, brush or rag. Soap bubbles will appear in case of a leak.
- The heater must be checked with a full cylinder.
- Make sure the safety control valve is in the OFF position.
- Turn the gas supply ON.
- In case of a leak, turn off the gas supply. Tighten any leaking fittings, then turn the gas supply on and re-check.
- Never leak test while smoking.

### **TO TURN ON THE HEATER**

1. Turn on the valve on the gas supply cylinder completely.
2. Press and turn the variable control knob to PILOT position (counter-clockwise 90°).
3. Press down the variable control knob and hold for 90 seconds. While holding down the variable control knob, press the igniter button several times until the pilot flame lights. Release the variable control knob after the pilot flame lights.

Note:

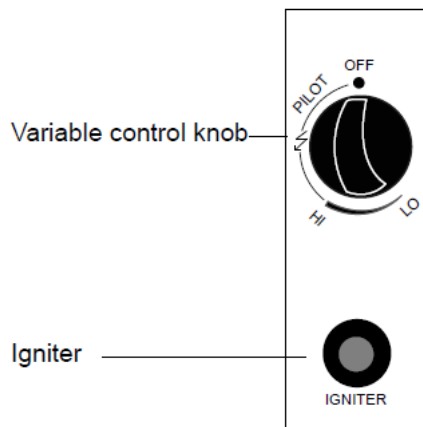
- If a new tank has just been connected, please allow at least one minute for the air in the gas pipeline to purge out through the pilot hole.
  - When lighting the pilot flame make sure that the variable control knob is continuously pressed down while pressing the igniter button. Variable control knob can be released after the pilot flame lights.
  - Pilot flame can be watched and checked from the small round window with sliding lid located at the bottom of the flame screen (to the left or right side of the controller).
  - If the pilot flame does not light or it goes out, repeat step 3.
4. After the pilot flame lights, turn the variable control knob to maximum position and leave it there for 5 minutes or more before turning the knob to desired temperature position.

# Contents

- 1 Front Cover
- 2 Safety Instructions
- 3 Assembly Instructions
- 6 Operating Instructions
- 7 Cleaning Instructions
- 8 Technical Information
- 9 Trouble Shooting
- 9 Back Cover

## TO TURN OFF THE HEATER

1. Turn the variable control knob to PILOT position.
2. Press and turn the variable control knob to OFF position.



OFF: the heater stop work  
 HI: maximum temperature position  
 LO: minimum temperature position

3. Turn off the valve on the gas supply cylinder completely.

# Cleaning & Maintenance

## Storage

1. Always close the gas valve of the gas cylinder after use or in case of a disturbance.
2. Remove the pressure controller and the hose.
3. Check the tightness of the gas valve and for damage. If you suspect a damage, have it changed by your gas dealer.
4. Never store liquid gas cylinder in a sub-terrain, or at places without adequate air ventilation.

## Cleaning

- Wipe off powder coated surfaces with soft, moist rag. Do not clean heater with cleaners that are combustible or corrosive.
- Remove debris from the burner to keep it clean and safe for use.
- Cover the burner unit with the optional protective cover when the heater is not in use.

# Technical Information

## Contents

1	Front Cover
2	Safety Instructions
3	Assembly Instructions
6	Operating Instructions
7	Cleaning Instructions
8	<u>Technical Information</u>
9	Trouble Shooting
9	Back Cover

- Use propane, butane or their mixtures gas only.
- Max. wattage: 13000 watts
- Min. wattage: 5000 watts
- Consumption:

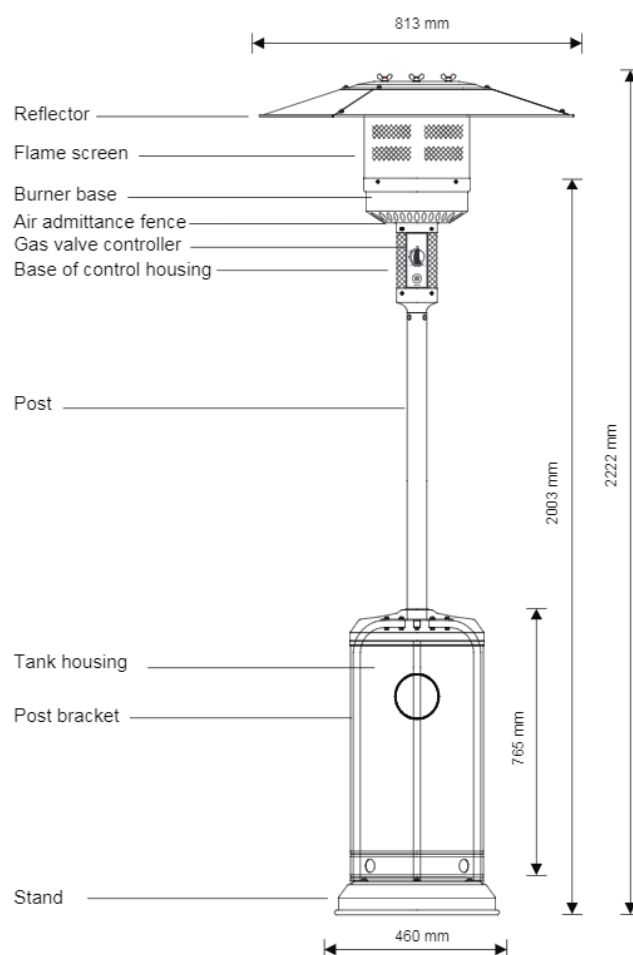
APPLIANCE CATEGORY:	I <sub>3+(28-30/37)</sub>		I <sub>3B/P(30)</sub>	I <sub>3B/P(50)</sub>	I <sub>3B/P(37)</sub>
TYPES OF GAS:	Butane	Propane	Butane, propane or their mixtures	Butane, propane or their mixtures	Butane, propane or their mixtures
GAS PRESSURE:	28-30mbar	37 mbar	30 mbar	50mbar	37mbar
OUTLET PRESSURE OF REGULATOR:	30mbar	37 mbar	30 mbar	50mbar	37mbar

- Using the proper regulator according to outlet pressure of regulator as showed in the table above.

### C. Table of injector

APPLIANCE CATEGORY:	I <sub>3+(28-30/37)</sub>		I <sub>3B/P(30)</sub>	I <sub>3B/P(50)</sub>	I <sub>3B/P(37)</sub>
TYPES OF GAS:	Butane	Propane	Butane, propane or their mixtures	Butane, propane or their mixtures	Butane, propane or their mixtures
GAS PRESSURE:	28-30mbar	37 mbar	30 mbar	50mbar	37mbar
TOTAL HEAT INPUT (Hs): (Qn)	13kW (G30:945g/h; G31:929g/h)				
INJECTOR SIZE:	1.90 mm for main burner 0.18 mm for pilot burner			1.70 mm for main burner 0.18 mm for pilot burner	1.80 mm for main burner 0.18 mm for pilot burner
The marking, for example, 1.90 on the injector, indicates that the size of injector is 1.90mm					

- The hose and regulator assembly must conform to local standard codes.
- Regulator outlet pressure should meet the corresponding gas category in the table of injector.
- The appliance requires approved hose in 1.4m length.



## Contents

- 1 Front Cover
- 2 Safety Instructions
- 3 Assembly Instructions
- 6 Operating Instructions
- 7 Cleaning Instructions
- 8 Technical Information
- 9 Trouble Shooting
- 9 Back Cover

# Troubleshooting

PROBLEM	PROBABLE CAUSE	SOLUTION
Pilot will not light	Gas valve may be off	Turn gas valve on
	Tank fuel may be empty	Refill LPG tank
	Opening blocked	Clean or replace opening
	Air in supply system	Purge air from lines
	Loose connections	Check all fittings
Pilot will not stay on	Debris around pilot	Clean dirty area
	Loose connections	Tighten connections
	Thermocouple bad	Replace thermocouple
	Gas leak in line	Check connections
	Lack of fuel pressure	Tank near empty. Refill LPG
Burner will not light	Pressure is low	Tank near empty. Refill LPG
	Opening blocked	Remove and clean opening
	Control not on	Turn valve to "on"
	Thermocouple bad	Replace thermocouple
	Pilot light assembly bent	Place pilot properly
	Not in correct location	Position properly and retry

### HAVE A QUESTION ABOUT YOUR PURCHASE?

OUR DEDICATED CUSTOMER SERVICES TEAM ARE HAPPY TO HELP  
CONTACT THEM VIA:

TELEPHONE: 020 3600 2255

EMAIL: [cservice@oypla.com](mailto:cservice@oypla.com)

LIVE CHAT: [www.oypla.com](http://www.oypla.com)

PLEASE RETAIN A COPY OF THESE INSTRUCTIONS FOR FUTURE CONSULTATION



# OYPLA.COM

An Official OYPLA Branded Product



#### Environmental Protection

Products bearing the symbol shown below means that used electrical and electronic equipment (WEEE) should not be mixed with general household waste. For proper treatment, recovery and recycling, please take this product(s) to designated collection points where it will be accepted free of charge. Disposing of this product correctly will help save valuable resources and prevent any potential negative effects on human health and the environment, which could otherwise arise from inappropriate waste handling. Please contact your local authority for further details of your nearest designated collection point. Penalties may be applicable for incorrect disposal of this waste, in accordance with your national legislation.



Manual Version: **V1.0**

Model Code: **3120**

**Oypla.com LLP / [www.oypla.com](http://www.oypla.com)**