

INSTALLATION GUIDE

12V LED STEP LIGHT - 3CCT

PLED-LVSTP-W

PLED-LVSTP-B

PLED-LVSTP-BR

IMPORTANT: Please read carefully and save these instructions, as you may need them at a later date. When using electrical equipment, basic safety precautions should always be followed as below:

READ AND FOLLOW BELOW SAFETY INSTRUCTIONS

GENERAL: All electrical connections and wiring must be performed by a qualified electrician and must be in accordance with local and National Electrical Code (N.E.C). LED Retrofit Kit installation requires knowledge of luminaire electrical systems.

If you have any doubt about how to install this light fixture, or if the fixture fails to operate completely, please consult with a local licensed electrician.

1. These products may represent a possible shock or fire hazard if improperly installed or attached in any way. Products should be installed following the instructions, current electrical codes, and/or the current National Electric Code (NEC).
2. Turn off the power at the fuse box or circuit breaker before installing.
3. This product requires a power input in the range of DC/AC 12-24V. Confirm source voltage is compatible prior to installation.
4. This fixture has no serviceable parts. Do not take the product apart.
5. LEDs are bright. Do not look directly into fixtures.
6. It is suitable for indoor and outdoor use.
7. This fixture is suitable for installation where ambient temperatures do not exceed 104°F (40°C) during anticipated hours of fixture operation.

UNPACKING: Thoroughly inspect the light for freight damage. Freight damage should be reported to the delivery carrier.

SELECTING COLOR TEMPERATURE

To avoid risk of damage, disconnect power to the light before changing to desired color temperature (CCT) with the selector switch. Select the color temperature via the CCT switch located on the side of the light. Using the color (CCT) selector switch, select the desired color temperature (3000K Soft White, 4000K Cool White, 5000K Day Light).

USING A DIMMER

DIMMING

This light is compatible with a PWM dimmer only when the output voltage is 12 volts. Please note that when the output voltage is 24 volts, this light can not be dimmed.

Dimming performance may depend on the dimmer, the dimmer range adjustment setting (for dimmers with brightness range adjustments), the wiring method, and/or the number of LED fixtures installed onto the dimmer circuit.

For best results, it is recommended to install a minimum of four LED modules onto one dimmer.

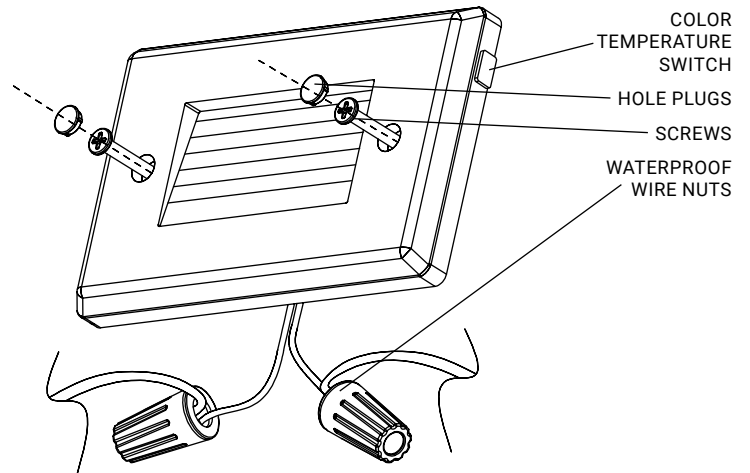
Before turning on the LED lights, set dimmer position at maximum before adjusting to a lower light level.

Please follow the Dimming Control Manufacturer's instructions for the installation of all dimming controls.

Please visit our website www.parmida.com or contact our customer support team for more details.

STEPS FOR INSTALLATION

1. Turn off the power at the source before installing.
2. Choose a proper installation location. Using a pencil, mark the position of the 2 mounting holes seen on the fixture. Drill two holes.
3. Use the switch on the side of the fixture to select the preferred color temperature.
4. Using wire nuts connect the fixture wires to the supply wires.
5. Use mounting screws to attach the fixture to the wall.
6. Cover the holes on the fixture using the hole plugs.
7. Fill the gap between the fixture and the wall with a sealant (not included). Turn on the power. The installation is now complete.



WARNING

RISK OF FIRE OR ELECTRIC SHOCK.

DISCONNECT MAIN POWER AT FUSE OR CIRCUIT BREAKER BEFORE INSTALLING OR SERVICING THE LIGHT.

DO NOT USE ANY OTHER DRIVER EXCEPT PARMIDA LIGHTING DRIVER THAT IS INCLUDED WITH THE FIXTURE.