



18W 4FT T8 TYPE B TUBE

PLED-T8DS18W3K-C
PLED-T8DS18W3K-F
PLED-T8DS18W4K-C
PLED-T8DS18W4K-F
PLED-T8DS18W5K-C
PLED-T8DS18W5K-F
PLED-T8DS18W6K-C
PLED-T8DS18W6K-F

INSTALLATION MANUAL

WWW.PARMIDA.COM

INSTALLATION MANUAL

WARNING 03

RETROFIT INSTALLATION (TYPE B) 03

 A. Retrofit luminaire with inductive ballast 04

 B. Retrofit luminaire with electronic ballast 04

 C. Retrofit luminaire with two lamps and one electronic ballast 05

 D. Retrofit luminaire with three lamps and one electronic ballast 05

 E. Retrofit luminaire with four lamps and one electronic ballast 06



⚠ WARNING

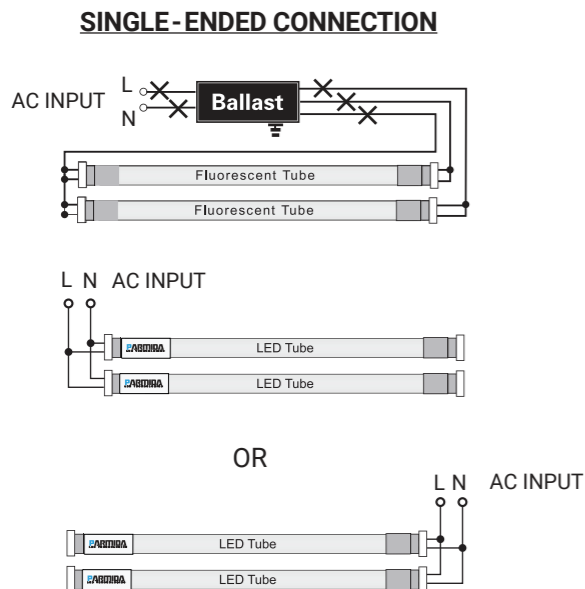
- Risk of fire or electric shock. LED Retrofit Kit installation requires knowledge of luminaires electrical systems. If not qualified, do not attempt installation. Contact a qualified electrician.
- Risk of fire or electric shock. Install this kit only in the luminaires that have the construction features and dimensions shown in the photographs and/or drawings and where the input rating of the retrofit kit does not exceed the input rating of the luminaire.
- Do not make or alter any open holes in an enclosure of wiring or electrical components during kit installation.
- To prevent wiring damage or abrasion, do not expose wiring to edges of sheet metal or other sharp objects.
- Installers should not disconnect existing wires from lampholder terminals to make new connections at lampholder terminals. Instead installers should cut existing lampholder leads away from the lampholder and make new electrical connections to lampholder lead wires by employing applicable connectors.
- For a linear tubular LED lamp conversion, there shall be text or a diagram showing how the supply connections were made to the lampholders so the correct connections will be made to the lamp when the lamp is installed or replaced.
- This retrofit kit is accepted as a component of a luminaire where the suitability of the combination shall be determined by authorities having jurisdiction.
- The luminaire, once modified as retrofit fixture will no longer operate fluorescent lamps.
- These lamps should be installed by a licensed electrician.
- These lamps are to be used indoors (damp or dry locations only). Not suitable for wet location.
- This device is not suitable for use with emergency ballasts or dimming ballasts.

RETROFIT INSTALLATION (TYPE B)

Please install your LED tubes according to the Type B Installation Method instructions below.

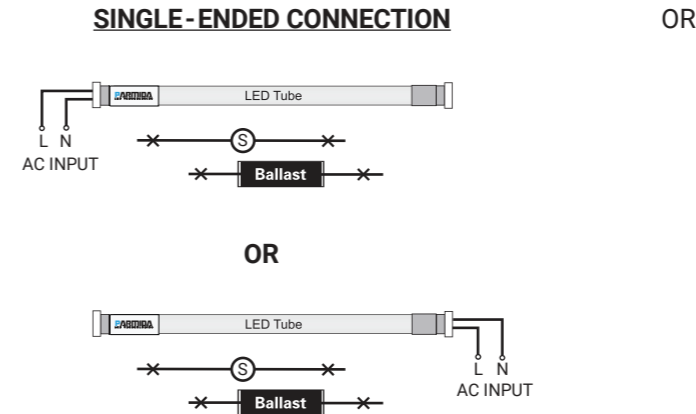
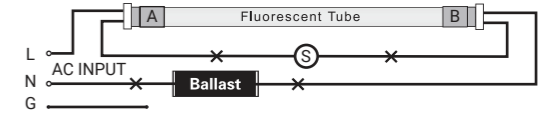
- Can be installed with either single or double ended connection.
- Double-ended connection can be used with either shunted or non-shunted sockets (tombstones).
- For single-ended connection, use only non-shunted sockets.
- Use either end to make single-ended connection.

1. Disconnect power to the light fixture at the breaker panel before installation.
2. Remove the diffuser lens from the light fixture (if applicable).
3. Remove any existing fluorescent tubes by rotating them a one quarter turn and sliding them out.
4. Remove ballast cover (cover may be secured with screws or tabs).
5. Retrofit light fixture according to the diagram applicable to your fixture.



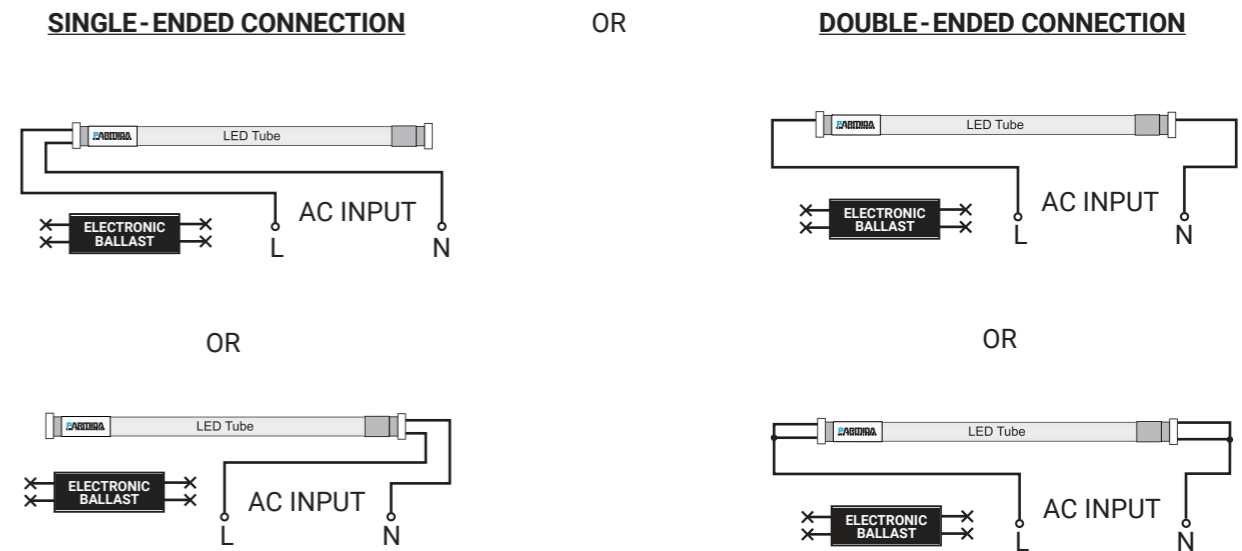
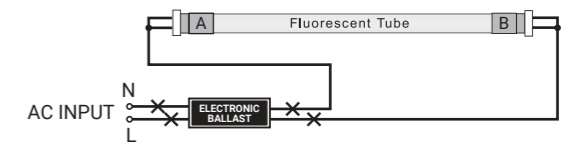
A. Retrofit luminaire with inductive ballast

- Disconnect the wires between starter and ballast according to the figure.
- Connect two wires to branch circuit L and N according to the figure.



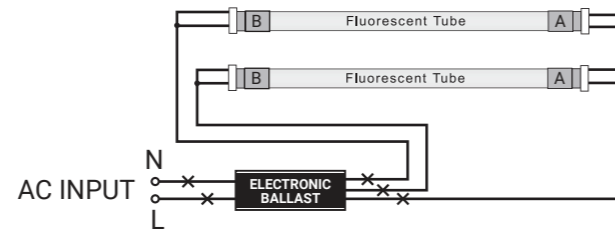
B. Retrofit luminaire with electronic ballast

- Disconnect the wires between tombstone and ballast according to the figure.
- Connect two wires to branch circuit L and N according to the figure.



C. Retrofit luminaire with two lamps and one electronic ballast

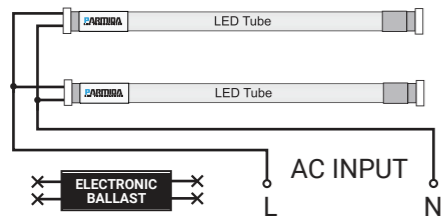
- Disconnect the wires between tombstone and ballast according to the figure.
- Connect two wires to branch circuit L and N according to the figure.



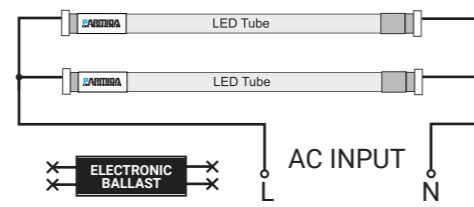
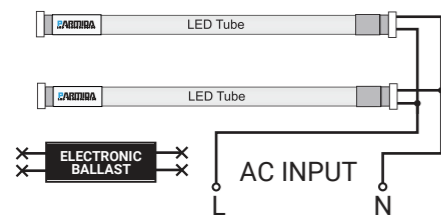
SINGLE- ENDED CONNECTION

OR

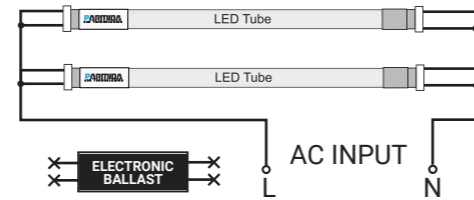
DOUBLE- ENDED CONNECTION



OR

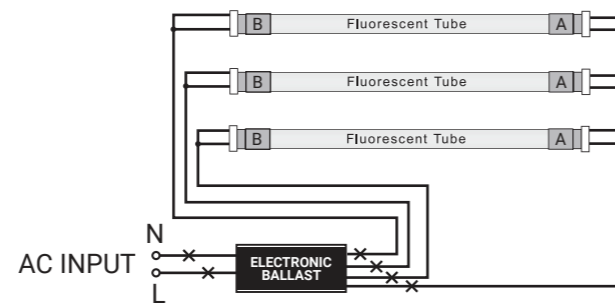


OR



D. Retrofit luminaire with three lamps and one electronic ballast

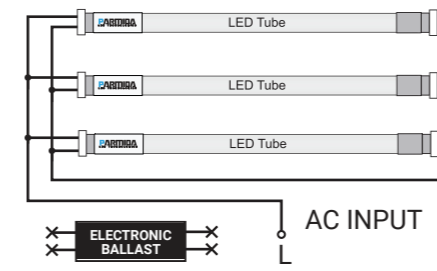
- Disconnect the wires between tombstone and ballast according to the figure.
- Connect two wires to branch circuit L and N according to the figure.



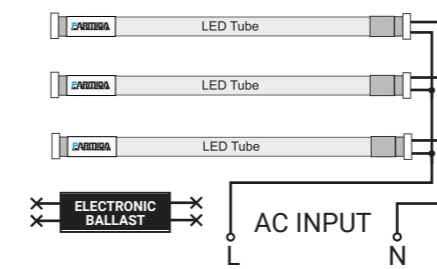
SINGLE- ENDED CONNECTION

OR

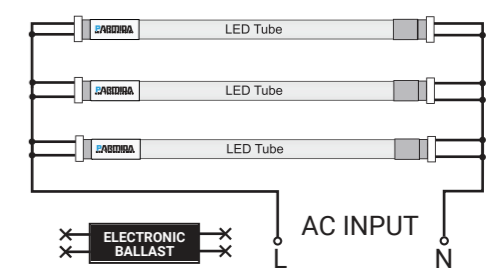
DOUBLE- ENDED CONNECTION



OR

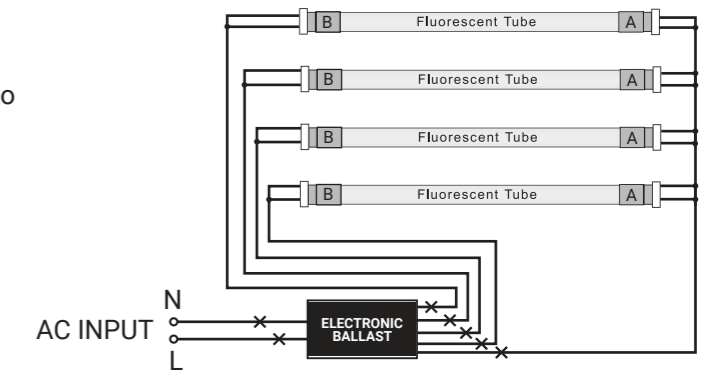


OR

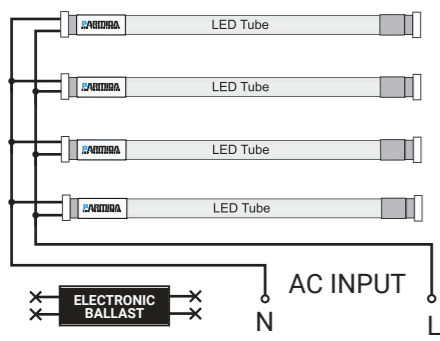


E. Retrofit luminaire with four lamps and one electronic ballast

- Disconnect the wires between tombstone and ballast according to the figure.
- Connect two wires to branch circuit L and N according to the figure.

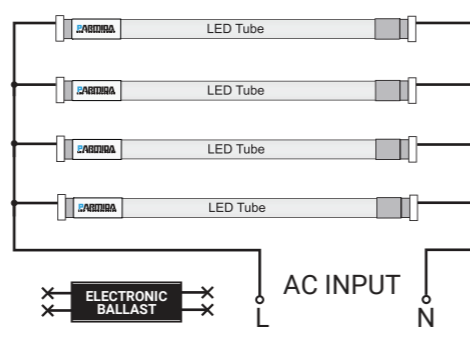


SINGLE-ENDED CONNECTION

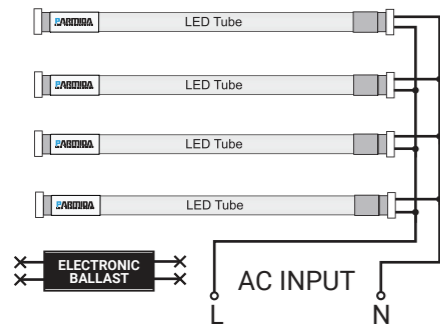


OR

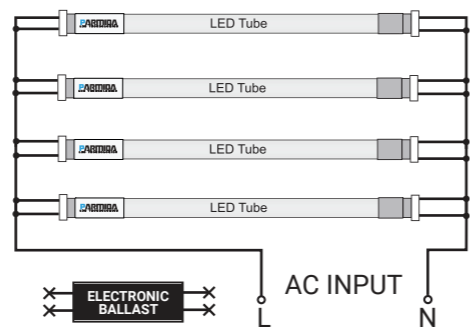
DOUBLE-ENDED CONNECTION



OR



OR



6. Insert the LED tube by sliding pins into sockets and rotating a quarter turn until the LED tube locks in place.
7. Replace the diffuser lens of the light fixture (if applicable). LED lamps are now fully installed.
8. After installation has been completed, attach the Modification Replacement Cautionary Sticker Label to a visible area on the luminaire and keep it visible after installation. Be sure to mark the type of wiring on the luminaire label (single or double-ended).
9. Restore power to the circuit/luminaire and test the light. If necessary, adjust position of the LED tube(s).