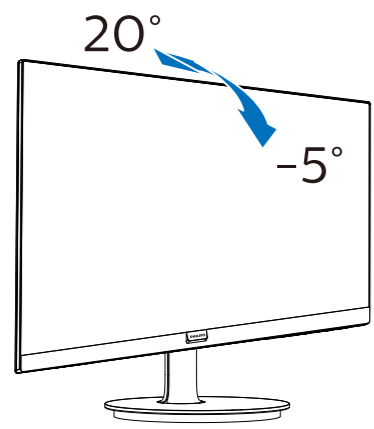


4



Register your product and get support at [www.philips.com/support](http://www.philips.com/support)



FAQ

Software

User Manual

Version: M822xVQ1T  
2023 © TOP Victory Investments Ltd. All rights reserved.

This product has been manufactured by and is sold under the responsibility of Top Victory Investments Ltd., and Top Victory Investments Ltd. is the warrantor in relation to this product. Philips and the Philips Shield Emblem are registered trademarks of Koninklijke Philips N.V. and are used under license.

Specifications are subject to change without notice.

**HDMI**

The terms HDMI, HDMI High-Definition Multimedia Interface, HDMI Trade Dress and the HDMI Logos are trademarks or registered trademarks of HDMI Licensing Administrator, Inc.

[www.philips.com](http://www.philips.com)

Energy Labelling



Printed in China



H41G785381307F

**PHILIPS**

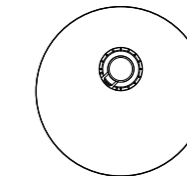
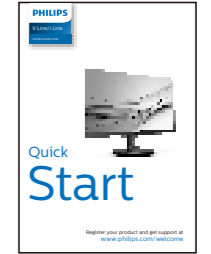
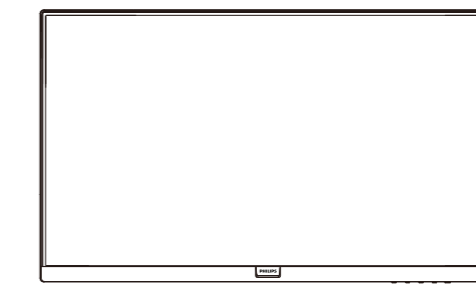
V Line/i Line

221V8/222V8/2218

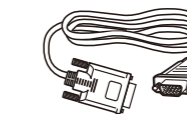


# Quick Start

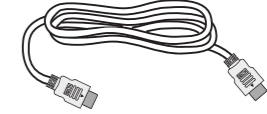
Register your product and get support at [www.philips.com/welcome](http://www.philips.com/welcome)



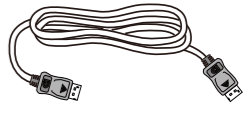
Power



\* VGA



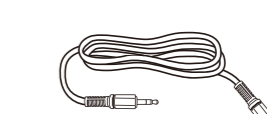
\* HDMI



\* DP (222V8LA)



\* DVI (221V8LD)

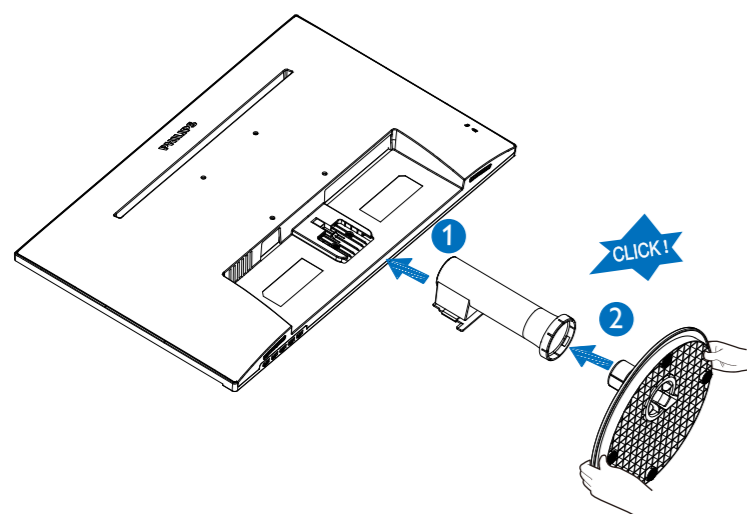


\* Audio cable (221V8A/222V8LA)

\*Different according to region

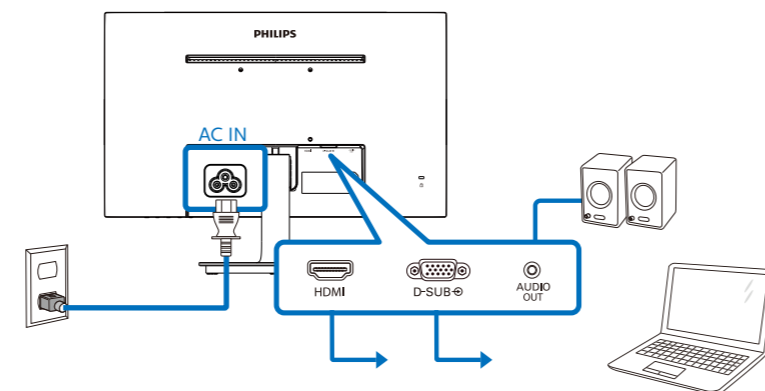
Display design may differ from that illustrated

1

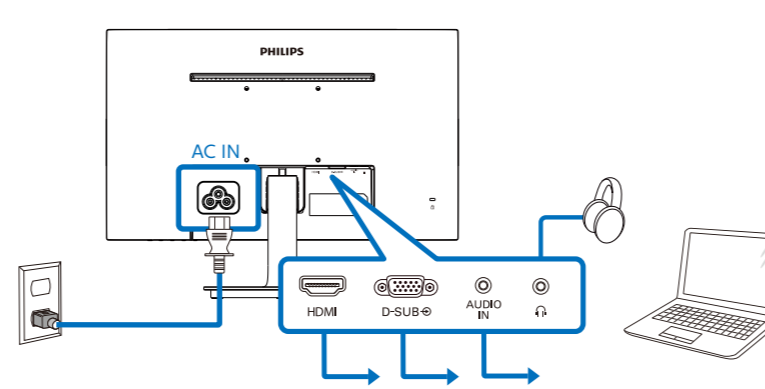


2

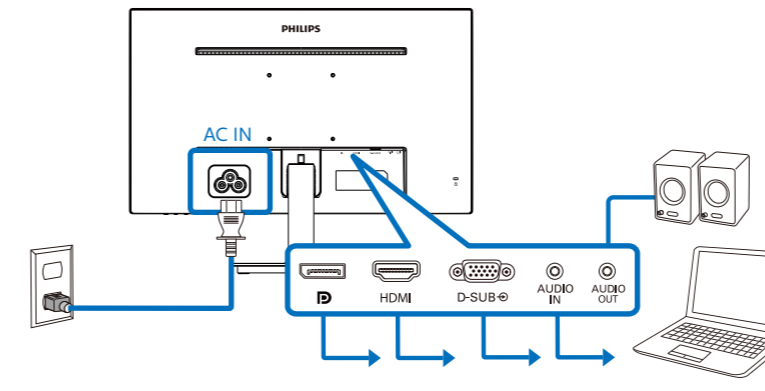
2218/221V8/221V8L/221V8LS/221V8LB/221V8LB3



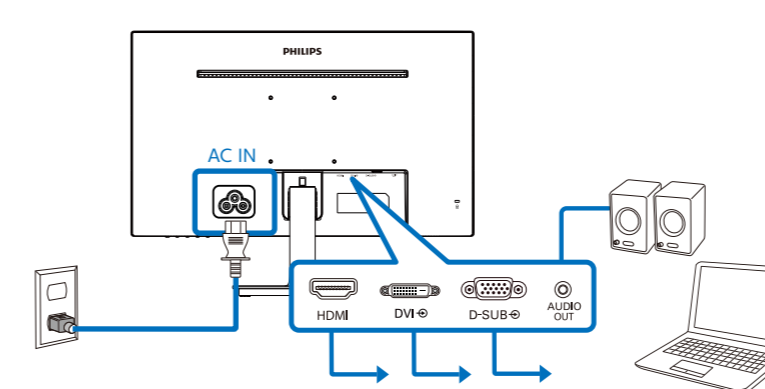
221V8A



222V8LA



221V8LD



3

