

**Industrial L2/L4 Managed Gigabit Switch with
10G Uplink**

IGS-4215-8T4X/IGS-4215-8UP4X/IGS-4215-16T4X

Quick Installation Guide

Table of Contents

1. Package Contents	3
2. Requirements	4
3. Wiring the Power Inputs.....	5
3.1 Grounding the Device.....	6
4. Terminal Setup	7
4.1 Logging on to the Console	8
4.2 Configuring IP Address via Console	9
4.3 Storing Current Switch Configuration	10
5. Starting Web Management	11
5.1 Logging in to the Industrial Managed Switch	11
5.2 Saving Configuration via Web	13
6. Restoring Default Configuration.....	14
7. Customer Support	15

1. Package Contents

Thank you for purchasing PLANET L2/L4 Managed Gigabit Switch. The descriptions of these models are shown below:

IGS-4215-8T4X	Industrial L2/L4 8-Port 10/100/1000T + 4-Port 10G SFP+ Managed Ethernet Switch (-40~75 degrees C)
IGS-4215-8UP4X	Industrial L2/L4 8-Port 10/100/1000T 802.3bt PoE + 4-Port 10G SFP+ Managed Ethernet Switch (-40~75 degrees C)
IGS-4215-16T4X	Industrial L2/L4 16-Port 10/100/1000T + 4-Port 10G SFP+ Managed Ethernet Switch (-40~75 degrees C)

“**Industrial Managed Switch**” is used as an alternative name in this Quick Installation Guide.

Open the box of the Industrial Managed Switch and carefully unpack it. The box should contain the following items:

- The Industrial Managed Switch x 1
- Quick Installation Guide Sheet x 1
- Dust Caps

Model	RJ45 Dust Caps	SFP Dust Caps
IGS-4215-8T4X	8	4
IGS-4215-8UP4X	8	4
IGS-4215-16T4X	16	4

- DIN-rail Kit x 1
- Wall Mounting Kit x 1

If any item is found missing or damaged, please contact your local reseller for replacement.

2. Requirements

- Workstations running Windows 8/10/11, MAC OS X or later, Linux, UNIX, or other platforms are compatible with TCP/IP protocols.
- Workstations are installed with Ethernet NIC (Network Interface Card)
- **Serial Port Connection** (Terminal)
 - The above Workstations come with USB ports.
 - The above Workstations have been installed with **terminal emulator**, such as Tera Term or PuTTY.
 - USB cable -- one end is attached to the USB Type A/Type C port on the workstation, while the other end is connected to the USB Type C console port of the Industrial Managed Switch.
- **Ethernet Port Connection**
 - Network cables -- Use standard network (UTP) cables with RJ45 connectors.
 - The above workstation is installed with Web browser.



Note

It is recommended to use Google Chrome, Microsoft Edge or Firefox to access the Industrial Managed Switch. If the Web interface of the Industrial Managed Switch is not accessible, please turn off the anti-virus software or firewall and then try it again.

3. Wiring the Power Inputs

The Upper Panel of the **Industrial Managed Switch** indicates an inlet power socket and consists of one green terminal block connector with 6 contacts. Please follow the steps below to insert the power wire.

1. Insert positive/negative DC power wires into contacts 1 and 2 for Power 1 or 5 and 6 for Power 2.

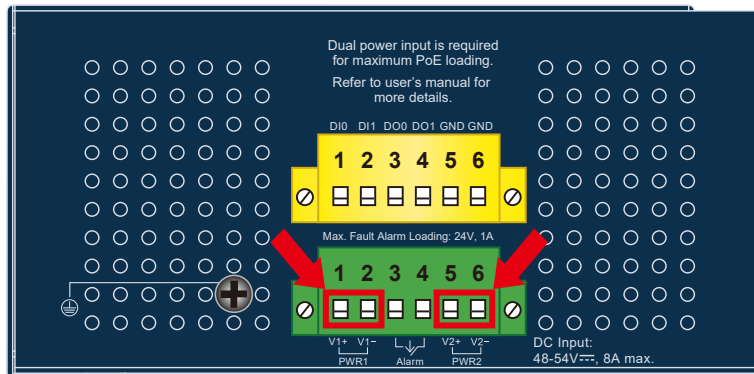
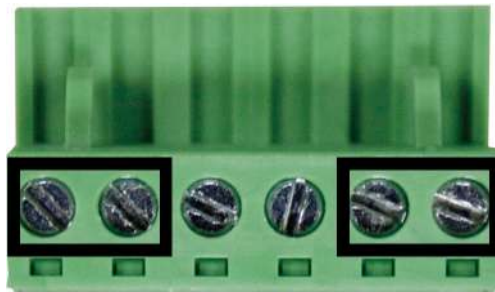


Figure 3-1: IGS-4215-8UP4X

2. Tighten the wire-clamp screws for preventing the wires from loosening.



1 2 3 4 5 6
V1+ V1- V2+ V2-
Power 1 Power 2

Item	Positive (+) Pin	Negative (-) Pin
IGS-4215 Series	Pin 1/5	Pin 2/6



Note

1. The wire gauge for the terminal block should be in the range from **12** to **24 AWG**.
2. The power input range of IGS-4215-8T4X and IGS-4215-16T4X is 9V ~ 48V DC and supports 24V AC.



PWR1 and PWR2 must provide exactly the **same DC voltage** for power load balance while operating with dual power input.

3.1 Grounding the Device

Users **MUST** complete grounding wiring with the device; otherwise, a sudden lightning could cause fatal damage to the device.

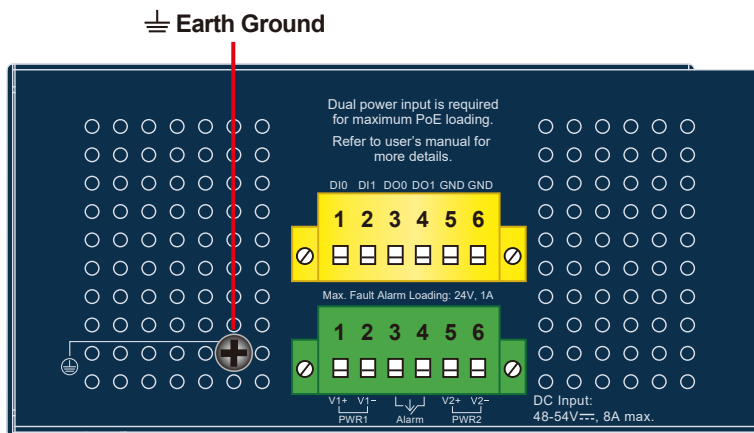


Figure 3-2: IGS-4215-8UP4X

4. Terminal Setup

To configure the system, connect one end of a USB data cable to a **USB port** on a PC or notebook computer and the other end to the USB Type-C console port of the Industrial Managed Switch.

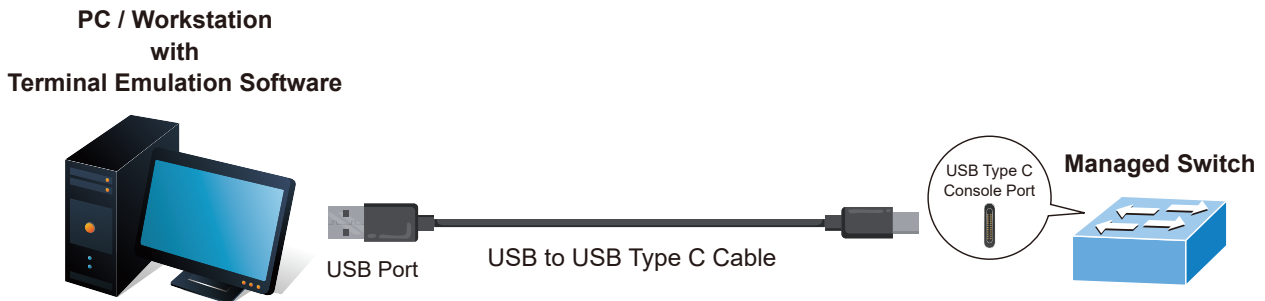


Figure 4-1: Industrial Managed Switch Console Connectivity

A terminal program is required to make the connection to the Industrial Managed Switch.

1. Run terminal program on the OS.
2. When the following screen appears, make sure that the COM port should be configured as:
 - ◆ Baud: 115200
 - ◆ Data bits: 8
 - ◆ Parity: None
 - ◆ Stop bits: 1
 - ◆ Flow control: None



Figure 4-2: COM Port Configuration

4.1 Logging on to the Console

Once the terminal is connected to the device, power on the Industrial Managed Switch and the terminal will display "running testing procedures". Then, the following message asks to log in user name and password. The factory default user name and password are shown as follows.



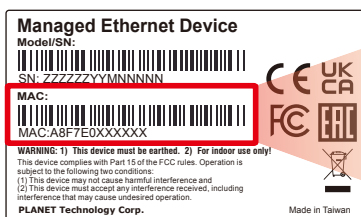
Note

The following console screen is based on the IGS-4215-8UP4X. The display of the IGS-4215-8T4X/IGS-4215-16T4X is the same.

Username: **admin**

Password: **sw + the last 6 characters of the MAC ID in lowercase**

Find the MAC ID on your device label. The default password is "sw" followed by the last six lowercase characters of the MAC ID.



MAC ID: A8F7E0XXXXXX

Default Password: swXXXXXX

("x" means the last 6 digits of the MAC address.

All characters should be in lowercase.)

Figure 4-3: MAC ID Label

Enter the default username and password, then set a new password according to the rule-based prompt and confirm it. Upon success, press any key to return to the login prompt. Log in with "admin" and the "new password" to access the CLI.

```
(New)Password: *****
Verify (New)Password: *****
Success.
Press any key to continue
Username: admin
Password: *****
IGS-4215-8UP4X# █
```

Figure 4-4: Create a New Password and Login Again

The user can now enter commands to manage the Industrial Managed Switch. For a detailed description of the commands, please refer to the following chapters.

4.2 Configuring IP Address via Console

The Industrial Managed Switch is shipped with default IP address as follows:

```
IP Address: 192.168.0.100  
Subnet Mask: 255.255.255.0
```

To check the current IP address or modify a new IP address for the Industrial Managed Switch, please use the procedures as follows:

■ Show the current IP address

1. At the "**IGS-4215-8UP4X#**" prompt, enter "**show ip**".
2. The screen displays the current IP address, subnet mask and gateway as shown in Figure 4-5.

```
Press any key to continue  
Username: admin  
Password: *****  
IGS-4215-8UP4X# show ip  
IP Address: 192.168.0.100  
Subnet Netmask: 255.255.255.0  
Default Gateway: 192.168.0.254  
IGS-4215-8UP4X#
```

Figure 4-5: IP Information Screen

■ Configuration of the IP Address

3. At the "**IGS-4215-8UP4X #**" prompt, enter "**configure**".
4. At the "**IGS-4215-8UP4X (config)#**" prompt, enter the following command and press **<Enter>** as shown in Figure 4-5.

```
IGS-4215-8UP4X (config)# ip address 192.168.1.100 mask 255.255.255.0  
IGS-4215-8UP4X (config)# ip default-gateway 192.168.1.254
```

The previous command would apply the following settings for the Industrial Managed Switch.

```
IP Address: 192.168.1.100  
Subnet Mask: 255.255.255.0  
Gateway: 192.168.1.254
```

```
IGS-4215-8UP4X(config)# ip address 192.168.1.100 mask 255.255.255.0  
IGS-4215-8UP4X(config)# ip default-gateway 192.168.1.254  
IGS-4215-8UP4X(config)#
```

Figure 4-6: IP Address Screen

5. Repeat Step 1 to check if the IP address has changed.

If the IP is successfully configured, the Industrial Managed Switch will apply the new IP address setting immediately. You can access the Web interface of the Industrial Managed Switch through the new IP address.

4.3 Storing Current Switch Configuration

1. At the **"IGS-4215-8UP4X#"** prompt, enter **"copy running-config startup-config"** as shown in Figure 4-7.

```
Press any key to continue
Username: admin
Password: *****
IGS-4215-8UP4X# copy running-config startup-config
Success
IGS-4215-8UP4X# █
```

Figure 4-7: The Configuration Save Screen



Note

If you are not familiar with console command or the related parameter, enter "?" anytime in console to get the help description.

5. Starting Web Management

The following shows how to start up the **Web Management** of the Industrial Managed Switch. Note the Industrial Managed Switch is configured through an Ethernet connection. Please make sure the manager PC must be set to the same IP subnet address.

For example, the default IP address of the Industrial Managed Switch is **192.168.0.100**, then the manager PC should be set to **192.168.0.x** (where x is a number between 1 and 254, except 100), and the default subnet mask is 255.255.255.0.

5.1 Logging in to the Industrial Managed Switch

1. Use Google Chrome, Microsoft Edge or Firefox Web browser and enter IP address **<https://192.168.0.100>** to access the Web interface.
2. When the following dialog box in **Figure 5-1** appears, please enter the default user name and password Refer to **Figure 4-3** to determine your initial login password.

Username: **admin**

Password: **sw + the last 6 characters of the MAC ID in lowercase**



Figure 5-1: Web Login Screen

- After logging in, you will be prompted to change the initial password to a permanent one.

Change New Password

New Password

Password	<input type="text"/>
Retype Password	<input type="text"/>

Figure 5-2: Create a New Password

- Once the password change is complete, re-enter the web interface using your new password and the main screen appears as Figure 5-3 shows.



Figure 5-3: Web Main Screen of Industrial Managed Switch
(Using IGS-4215-8UP4X as an representative)

The Switch Sub-Menu on the left of the Web page lets you access all the commands and statistics the Industrial Managed PoE+ Switch provides.



Figure 5-4: Switch Menu



Figure 5-5: Switch Sub-menu

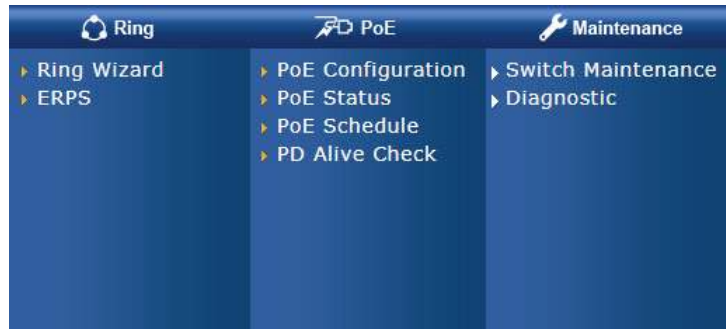


Figure 5-6: Switch Sub-menu

Now, you can use the Web management interface to continue the Switch management. Please refer to the user’s manual for more.

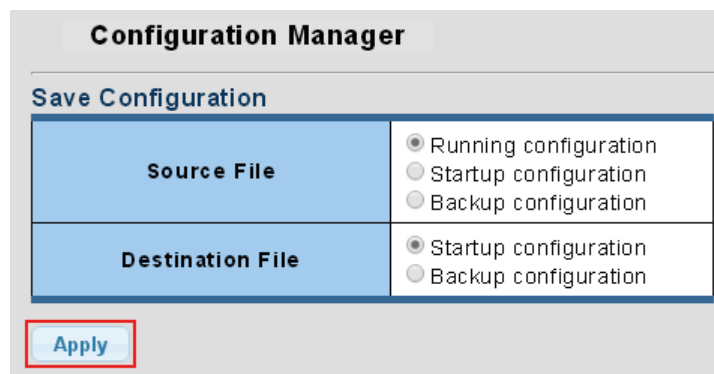
5.2 Saving Configuration via Web

To save all applied changes and set the current configuration as a startup configuration, the startup-configuration file will be loaded automatically across a system reboot.

1. Click the **Save** icon on the top Switch Menu bar.



2. Press the **“Apply”** button to save running configuration to start up configuration.



6. Restoring Default Configuration

■ IP Address has been changed or admin password has been forgotten –

To reset the IP address to the default IP Address “**192.168.0.100**” or reset the login password to default value, press the hardware-based **reset button** on the front panel for about **10 seconds**. After the device is rebooted, you can log in the management Web interface within the same subnet of 192.168.0.xx.

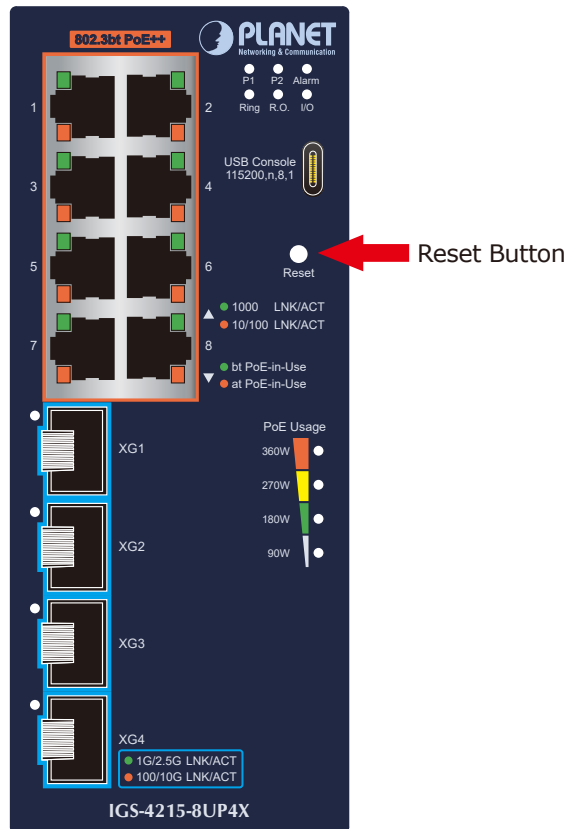


Figure 6-1: IGS-4215 Series Reset Button

7. Customer Support

Thank you for purchasing PLANET products. You can browse our online FAQ resource and User's Manual on PLANET Web site first to check if it could solve your issue. If you need more support information, please contact PLANET switch support team.

PLANET online FAQs:

<https://www.planet.com.tw/en/support/faq>

Switch support team mail address:

support@planet.com.tw

IGS-4215-8T4X/IGS-4215-16T4X/IGS-4215-8UP4X User's Manual:

<https://www.planet.com.tw/en/support/downloads?&method=keyword&keyword=igs-4215&view=3#list>



(Please select your switch model name from the Product Model drop-down menu)

Copyright © PLANET Technology Corp. 2024.

Contents are subject to revision without prior notice.

PLANET is a registered trademark of PLANET Technology Corp.

All other trademarks belong to their respective owners.