

PORODO



Porodo

Pocket VOLT 10000mAh Power

SKU: PDPBFCH090

Table of Contents

Specifications	2
Schematic View	2
Instructions for Use	3
Recharging Instructions	3
Safety Warnings	3
Material Contents	4
Troubleshooting	6
Disposal	6
Warranty	7
Contact Us	7

Specifications

Display Lamp Showing the Current Power:

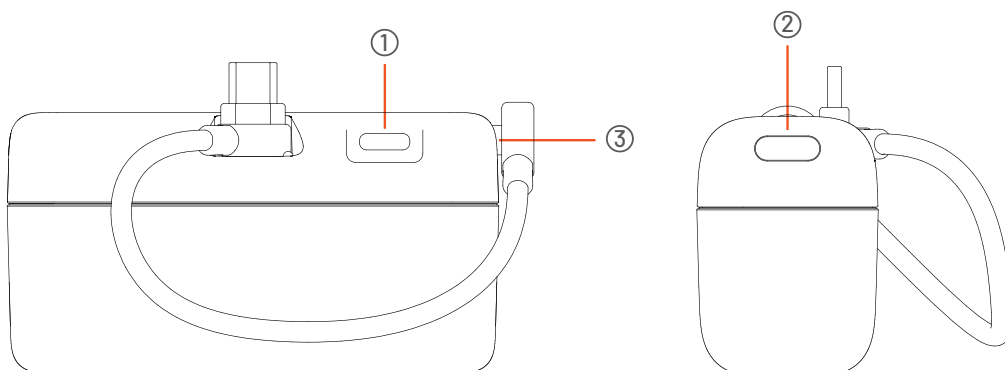
The power display tube shows the current power. Once the low power mode is turned off, the button has no output, and the display tube turns off.

Display Status While Discharging the Power Bank:

The display lamp shows the current power. When low power mode is off, there is no output from the button, and the display tube turns off.

Battery Capacity	10000mAh
Type-C Input	5V/3A, 9V/2A, 12V/1.5A, 18W Max
Type-C Output	5V/3A, 9V/2A, 10V/2.25A, 12V/1.5A, 22.5W
Lightning Input	5V/3A, 9V/2A, 12V/1.5A, 18W Max
Lightning Output	5V/3A, 9V/2.22A, 12V/1.67A, 20W Max
Total Output	5V/3A, 15W Max
Product Size	84 x 45 x 31mm
Product Weight	170g
Model Number	PB090

Schematic View



1. Type-C Input Output
2. Switch Button
3. Lightning Input Output

Instructions for Use

1. Use a Type-C cable with the appropriate connector to charge various digital devices through the power bank.
 2. When the power bank's battery is low, recharge it using the correct charging cable through a USB port on a computer, AC adapter, or car charger.
- Important Note:** Due to the power bank's weight, avoid hanging it from the charging cable while charging your phone. Any product damage or malfunction caused by improper use will be

Recharging Instructions

1. Power Status When Charging (Input): While charging, the digital display will flash and show the current power status. Once fully charged, it will display "100" and remain on.
2. Power Status When Charging Other Devices (Output): While discharging, the digital display remains on to show the current battery percentage. When the power drops below %0, the display will show "0 %" and flash at a rate of 1Hz to indicate low battery.
3. When the battery voltage falls below 3V, the power bank will automatically turn off.

Safety Warnings

1. The product should be placed on a desktop during use. If it needs to be used in contact with the human body, the contact time should be limited to 10 seconds.

2. The recommended operating temperature range for the product is between 0°C and 35°C (It is advised not to use it in environments exceeding 35°C or below 0°C).
3. Do not immerse the product in water or expose it to fire. Avoid using a damp cloth to clean it, as it may cause leakage, short circuits, or other malfunctions.
4. Do not cover the product with paper or other objects, as it may block proper heat dissipation and cooling.
5. Never leave this product unattended during use.
6. Do not disassemble the device yourself, as it contains no user-serviceable parts.
7. Avoid dropping, shaking, knocking, or squeezing the product.
8. Never short-circuit the anode and cathode of the product to prevent fire.
9. Keep the product out of the reach of children.
10. Ensure that the output voltage of the charger matches the product's specifications before use. Using an incorrect charger may cause overload, potentially leading to smoke, fire, or other hazards.
11. Always unplug the charger once the product is fully charged.
12. If there are unusual signs such as odors, heat, discoloration, deformation, or any leakage during the charging process, deactivate the product immediately.
13. If you use an external power adapter, ensure it meets the standard requirements and has obtained the necessary certifications (e.g., CCC certification).
14. If the battery is not replaced after a prolonged period, there is a risk of explosion. In such cases, only equivalent types of batteries can be replaced. Ordinary maintenance personnel are not authorized to perform replacements.
15. Batteries must not be exposed to environments with direct sunlight, fire, or excessive heat, and should never be soaked in water.

Material Contents

When disposing of this product, please do not discard it with general household waste. It should be taken to a government-designated recycling center to support environmental protection.

Declaration of Hazardous Substances in Electronic and Electrical Products

Component Name	Pb	Cd	Hg	Cr6+	PBBs	PBDEs
Shell	○	○	○	○	○	○
PCB	×	○	○	○	○	○
Battery	○	○	○	○	×	×
Screw	○	○	○	○	×	×
Metal Components	○	○	○	○	--	--
Data Line	○	○	○	○	○	○

This table is prepared in accordance with the provisions of SJ/T11364.

○ : The content of toxic and harmful substances in all homogeneous materials of the component is within the limit requirements specified in GB/T 26572.

× : The components marked with "X" in the table above indicate that the toxic and harmful substances exceed the limit requirements specified in GB/T 26572 in at least one homogeneous material of the component. Due to technical limitations, this cannot be replaced. However, future technological advancements may allow for replacement or improvement. The components marked with "X" in the table above indicate that the toxic and harmful substances exceed the limit requirements specified in GB/T 26572 in at least one homogeneous material of the component. Due to technical limitations, this cannot be replaced. However, future technological advancements may allow for replacement or improvement.

-- : According to GB/T 26572, there are no requirements for the content of PBBs and PBDEs in metal components.



The environmental protection period of this product under normal use is 5 years.

The "hazardous substances" displayed in this table will not cause harm to human life or the environment under normal use of the product.

The "hazardous substances" and their components displayed in this table provide information to consumers and recycling practitioners on the presence of relevant substances, assisting with the proper disposal of product waste.

Troubleshooting

Problem	Possible Cause	Solution
Indicators do not display full charge status after an extended charging period.	Insufficient charging time. Adapter or product malfunction.	Charge the product for 12 hours. Contact a service center.
The remaining power of the product cannot be detected.	No remaining power. Power button or indicator malfunction. Power failure in the product.	Charge the product again. Contact a service center.
The product cannot charge other devices.	Low power of the product. No power transmission in the USB cable or adapter. Incorrect adapter choice. The power management system of the product prohibits charging.	Charge the product again. Change the USB cable or adapter. Ensure the correct connector is used with the product's interfaces. The product is incompatible with the device.
The product can charge other devices but cannot fully charge them.	The battery of the product is depleted.	Charge the product.
When charging other devices with the remaining power, the product suddenly stops working or fails to display any power.	External short circuit or overload causes an automatic shutdown of the product for self-protection.	Charge to reactivate the product.

Disposal

This product must not be disposed of as unsorted household waste. It is important to separate such waste for proper treatment and recycling, in compliance with local waste management regulations.

Warranty

Products that you buy directly from our **Porodo** website or shop come with a 24-month warranty.

When you buy **Porodo** products from any of our approved sellers, you only get a 12-month warranty. If you want to extend this warranty, go to our website at **porodo.net/warranty** and fill out the form with your information. Don't forget to upload a picture of the product too. After we've checked and accepted your request, we'll send you an email to confirm that your product's warranty has been extended.

For more info, please check:
porodo.net/warranty

Contact Us

If you have any questions about this Privacy Policy, please contact us at:

info@porodo.net

Website: **porodo.net**

Service Support: **support@porodo.net**

Instagram: **porodo**