

PORODO
LIFESTYLE



Porodo Lifestyle
2-IN-1 Full-Body Grooming Kit
Beard, Hair & Body

SKU: PDLFSTTRIMBK

Table of Contents

Product Overview	2
Specifications	2
Package Contents	3
Schematic View and Description	4
Battery Indicator	5
Charging Instructions	6
Usage Instructions	6
Installation and Disassembly Instructions	7
Trimmer Maintenance Guide	8
Travel Lock Feature	9
Safety Precautions	9
Disposal	10
Warranty	10
Contact Us	10

Product Overview

The Porodo LifeStyle 2-IN-1 Full-Body Grooming Kit is the ultimate grooming solution, designed to keep your beard, hair, and body in top shape. This versatile kit offers a multi-functional design that allows you to easily trim your beard, style your hair, and maintain your body with precision. Its ergonomic and lightweight construction ensures a comfortable grip, making it effortless to use whether at home or on the go. Equipped with precision blades, this grooming kit delivers a smooth and clean finish every time. The long-lasting battery provides reliable performance, and the removable, washable heads make for easy cleaning and maintenance. This product is designed to be gentle and effective for all sensitive areas, ensuring comfort and safety during use. Whether it's for delicate zones like the face, underarms, or more sensitive body parts, it provides a reliable and smooth experience. With the Porodo LifeStyle 2-IN-1 Full-Body Grooming Kit, you can elevate your grooming routine and enjoy a sleek, polished look with ease and convenience.

Specifications

Input	DC 5V/1A
Rated Power	5W
Battery Capacity	600mAh
Working Time	90 Min
Recharge Time	90 Min

Water-Resistance Level	IPX7
Noise Level	<65dB
Charging Interface	USB-C
Product Weight	120g
Product Size	33 x 37 x 146mm
Model Number	PDLFSTTRIM

Package Contents

1. Full Body Trimmer

Designed for precision grooming, perfect for all body areas.

2.4 Combs (2mm, 3mm, 6mm, 9mm)

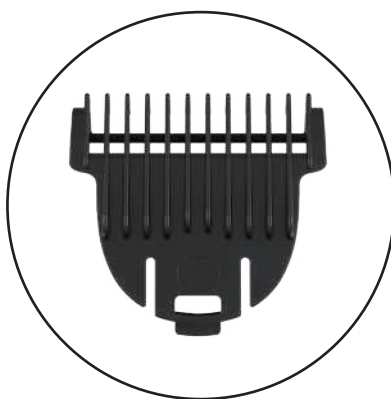
Versatile combs for customizable trimming lengths.

3. Charging Base

Convenient charging station for easy storage and quick power-up.



1

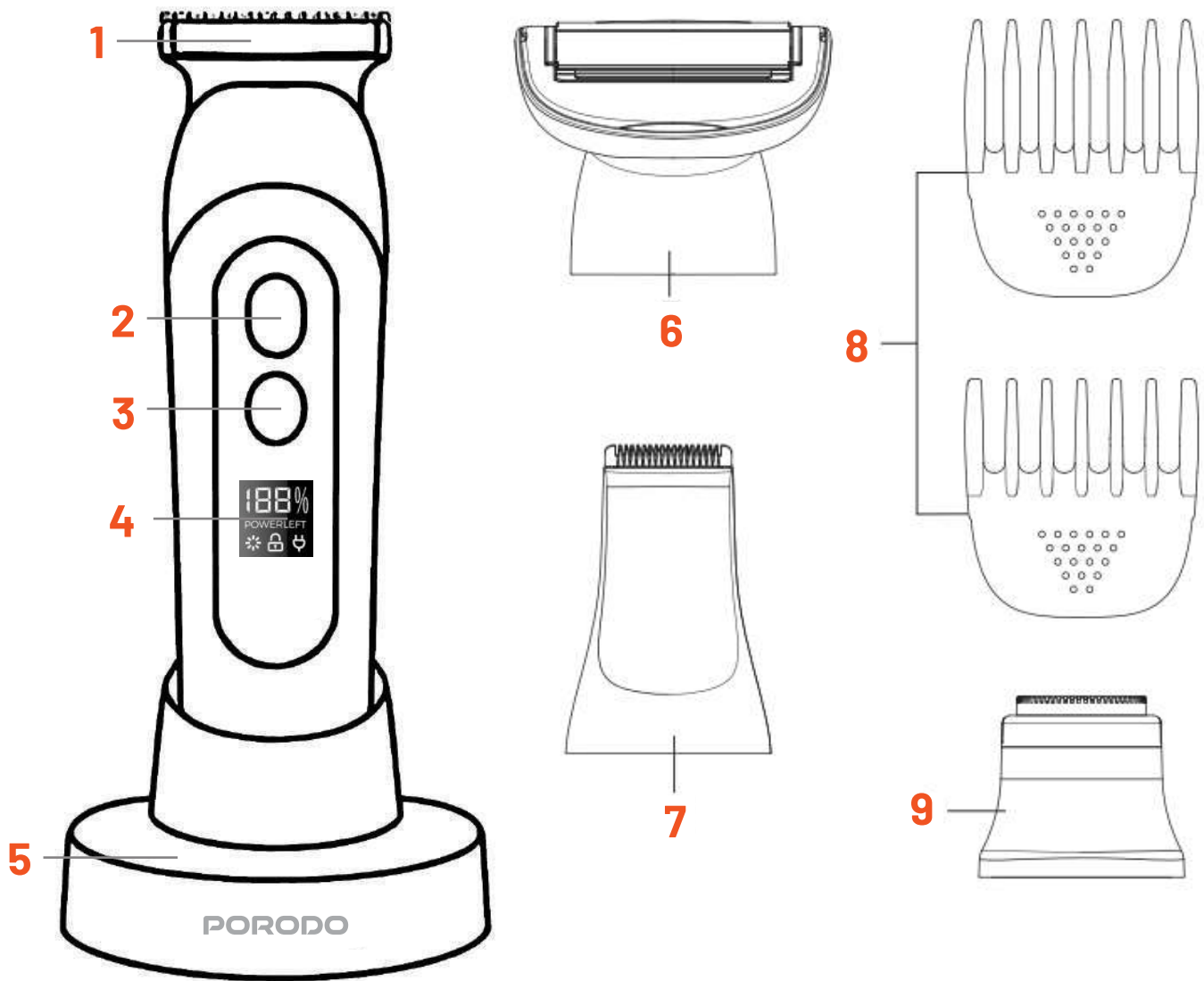


2



3

Schematic View and Description



- 1. Body Hair Trimmer Head:** A specialized head designed for trimming body hair. It offers precision and comfort to ensure an efficient grooming experience.
- 2. Switch Button-A:** The primary power button to turn the trimmer on or off, conveniently placed for easy access during operation.
- 3. Switch Button-B:** A secondary button designed for additional functions, such as speed control or specific trimmer settings.
- 4. LED Display:** Provides a clear visual signal to inform you of the device's status, such as charging progress or maintenance reminders.

- 5. Charging Base:** The charging foundation of the trimmer, providing stability when stored or when placed on a surface while charging the product.
- 6. Shaver Head and Comb:** The shaver head allows for smooth shaving, while the comb attachment provides uniform trimming, ideal for maintaining a clean and even look.
- 7. Bikini Trimmer:** A delicate trimmer head designed for precise and safe trimming in sensitive areas, ensuring a smooth and gentle grooming experience.
- 8. Guide Comb (3 ,6 ,9 ,12mm):** Adjustable comb attachments that provide different length settings for a customizable trim, offering both shorter and longer trimming options.
- 9. Facial Shaver:** A head attachment designed for facial grooming, offering a smooth shave for the face without irritation, ideal for fine-tuning your facial hair.

Battery Indicators

- 1. Battery Percentage:** The battery percentage is displayed on the product. It is shown as 00/05/10/.../90/95/100%. When charging, the percentage will increase in sequence. During use, the rate will decrease in sequence. When the percentage reaches 05%, it serves as a reminder to recharge. Once the percentage reaches 00%, the device is completely discharged and will automatically shut down.
- 2. Low Battery:** When the battery level is low, the white plug icon will begin to flash, signaling that charging is needed.
- 3. Charging in Progress:** While charging, the white plug icon will be displayed along with the battery indicator, showing that the device is actively charging.
- 4. Charging Completed:** Once the charging is complete, the battery indicator will display "100%" to confirm that the battery is fully charged.
- 5. Cleaning Reminder:** The faucet indicator will start flashing after the device has been used for 30 minutes in total. This is a reminder that the device needs to be cleaned to keep it working properly.

Charging Instructions

Ensure the device is powered off. Connect the USB cable to a compatible 5V-1A power adapter to begin charging. The display screen will indicate the current charging status.

Note: Be cautious when using fast-charging adapters. Adapters with a power output beyond 5V, 1A are not compatible and should not be used.

Usage Instructions

This body trimmer is designed for convenient and efficient hair removal. It features a travel lock to prevent accidental activation during travel. To lock or unlock the device, press and hold the power switch for 3 seconds. Alternatively, connect the power supply to automatically unlock the device.

1. Body Hair Shaving Head

The body hair shaving head is equipped with two comb attachments (6-3mm and 12-9mm), allowing for customizable trimming lengths. This head is perfect for trimming body hair in various areas, including the chest, back, arms, and legs. It can also be used directly without a comb for a closer shave, providing flexibility in your grooming routine.

2. Shaver Head

The shaver head is designed to trim short hair, making it ideal for areas like the armpits, legs, arms, and bikini region. Once the hair is trimmed to the desired length, this head can be used to smooth the skin, offering a soft finish and preventing irritation. This versatile head ensures a clean and precise shave for sensitive areas.

3. Facial Shaver

This attachment is designed for facial hair removal, such as shaving the face, chin, and lip area. It's gentle on the skin, leaving your face looking smoother

and more refined. The facial shaver is ideal for maintaining a cleaner and well-groomed appearance.

4. Bikini Trimmer

The bikini trimmer attachment is specifically designed for trimming hair in the bikini area. It provides a precise trim for sensitive areas, ensuring comfort while maintaining a neat, well-groomed look. Its gentle yet efficient performance makes it suitable for personal care in private areas.

Installation and Disassembly Instructions

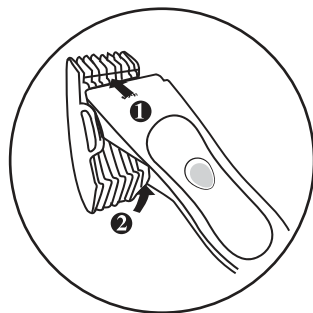
1. Guide Comb

1.1 Installation:

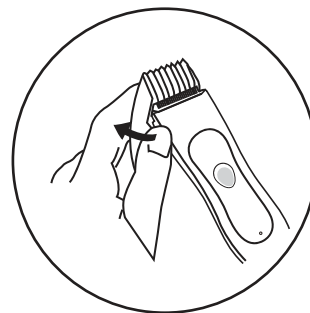
Align the end of the guide comb with the groove located on the side of the trimmer. Gently slide the comb into place, ensuring it fits snugly. Continue pushing it until you hear a distinct click, signaling that the comb is securely attached and properly aligned.

1.2 Disassembly:

As shown in the figure, gently push the comb backward along the groove using your thumb. Once the comb is slightly loosened, carefully lift it off the trimmer, ensuring a smooth removal process without damaging the components.



1.1



1.2

2. Cutter Head

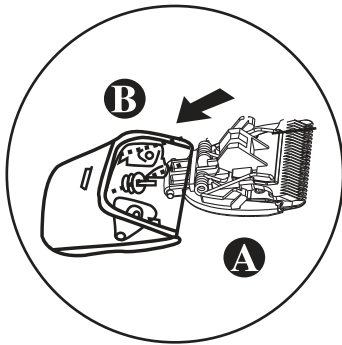
2.1 Installation:

Take the cutter (Part-A) and carefully insert it into the trimmer socket (Part-B)

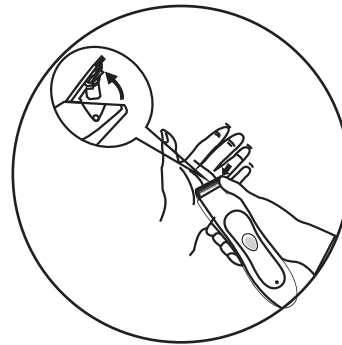
with the blade side facing up. Push the cutter until it clicks into place, ensuring it is properly seated. You should hear a clear, reassuring click, indicating that the cutter is securely locked into the socket.

2.2 Disassembly:

Using your thumb, gently press on the front of the cutter head, pushing it backward to release it from the socket. Once the cutter head is loose, carefully pull it out of the socket, ensuring the removal is smooth and free from resistance.



2.1



2.2

Trimmer Maintenance Guide

- 1. Turn Off the Trimmer:** Before cleaning, always ensure the trimmer is powered off to prevent any accidental injuries or damage to the device.
- 2. Clean the Trimmer Body, Blades, and Cutter Head:** Under running water, gently clean the trimmer's body, blades, and cutter head. Make sure to remove all hair buildup or residue that may have accumulated during use.
- 3. Dry the Exteriors:** Once cleaned, use a soft cloth to gently wipe the exterior parts of the trimmer. This helps remove excess water and maintains the device's surface integrity. Once dry, place the head protection cover on the trimmer to protect the blades from damage and keep them sharp.
- 4. Storage:** For long-term care, store the trimmer in a cool, dry place away from direct sunlight and high humidity to ensure its longevity and optimal performance.

Travel Lock Feature

- 1. To Enable Travel Lock:** Press and hold the second button for 3 seconds while the trimmer is turned off. The device display will flash, indicating that the trimmer has entered lock mode.
- 2. To Disable Travel Lock:** Press and hold the second button for 3 seconds while the device is in lock mode. The display will turn on, and the device will be unlocked, ready for use.

Safety Precautions

- 1. Avoid Harsh Cleaning Materials:** Do not use gasoline, paint thinner, or any corrosive cleaning agents, as these can damage the trimmer. Always use clean water to wash the device.
- 2. Fully Charge Before Use:** For the best trimming experience, ensure the trimmer is fully charged before use.
- 3. Avoid Wet Charging:** Never charge the trimmer while it's wet, as this could lead to electrical issues or damage.
- 4. Check Attachments:** Before each use, confirm that all attachments are securely fixed to avoid any malfunction.
- 5. Apply Blade Care:** For smooth operation, occasionally apply 2-3 drops of acid-free oil onto the blades.
- 6. Replace Cutter Head Regularly:** To maintain top performance, replace the cutter head every 3 months.
- 7. Storage:** Store the trimmer in a cool, dry place to protect it from moisture and ensure long-lasting functionality.
- 8. Repair:** For your safety and to ensure optimal performance, please do not puncture, disassemble, or attempt any repairs on this product. Attempting to do so can damage the device and void your warranty. If the product experiences any issues, seek professional assistance. Always follow the provided instructions for proper usage and care.

Disposal

This product must not be disposed of as unsorted household waste. It is important to separate such waste for proper treatment and recycling, in compliance with local waste management regulations.

Warranty

Products that you buy directly from our **Porodo** website or shop come with a 24-month warranty.

When you buy **Porodo** products from any of our approved sellers, you only get a 12-month warranty. If you want to extend this warranty, go to our website at **porodo.net/warranty** and fill out the form with your information. Don't forget to upload a picture of the product too. After we've checked and accepted your request, we'll send you an email to confirm that your product's warranty has been extended.

For more info, please check:
porodo.net/warranty

Contact Us

If you have any questions about this Privacy Policy, please contact us at:

info@porodo.net

Website: **porodo.net**

Service Support: **support@porodo.net**

Instagram: **porodo**