

PVX 100M

Mass Notification System

The PVX 100M Mass Notification System is functionally identical to the PVX 100 with the exception of an Intelligent Interface for an LOC.

The PVX 100M may be used as an ACU and combined with accessory modules to meet the requirements of UL2572. The system provides a Physical and Communication Security Level 1, Audit Control Level 2, Stored Data and Access Control Security Level 0 per UL 2572 Mass Notification Standard. The system is designed to be used in conjunction with a UL listed Fire Alarm Control Panel (FACP) to provide a Listed Voice Evacuation Alarm System with Mass Notification capabilities.

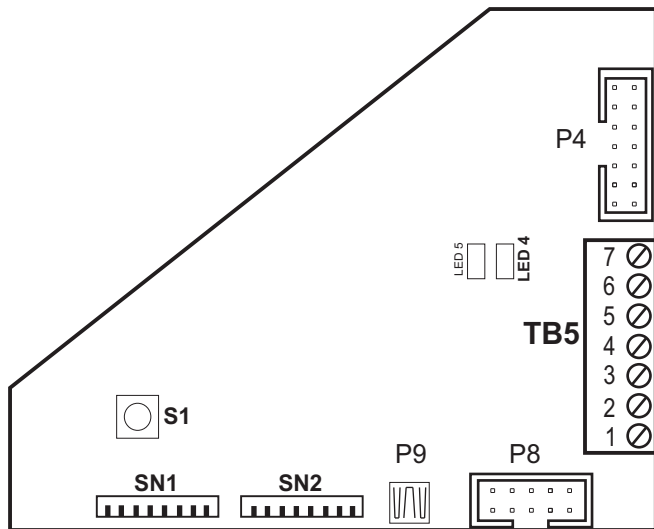
The FACP provides all Fire initiating circuitry and a signaling circuit to the PVX 100M. The PVX 100M provides its own internal supervision as well as supervision for its speaker lines and accessories. Any fault is reported back to the FACP. In normal standby the supervisory circuit from the panel is connected to a matching EOLR. Should the PVX 100M suffer an internal failure or should there be any fault on the speaker line or accessory a contact would open and the FACP would report it as an open fault for that circuit.

The PVX 100M is designed to be powered from 120 VAC at 60 Hz and will provide 100W of audio. Speakers may be 25 or 70 Vrms (jumper selected, 25V is factory set). See Installation Instruction P/N PVX 25-50-100 R2.14 for all Electrical Specifications, Standard Terminal Designations and Wiring Diagrams.

MODELS: The PVC-100M is a complete Voice Evac/MNS Module, it is complete with built-in tones and messages for Fire and MNS. The PVC-100M may be coupled with additional PVC-100E Expander modules for systems requiring greater power.

The PVX 100M and PVX 200M are complete Voice Evacuation Panels. Where greater Audio power is required they may be combined with Expander panels, PVX 100E/200E/300E/400E/500E/600E. When using any EVX Expander Module, refer to installation instructions P/N 1-5002 R2.14.

PVX 100M	Contains 1) PVC-100M	1) Speaker Circuits
PVX 200M	Contains 1) PVC-100M and 1) PVC-100E	2) Speaker Circuits



All other terminals are identical to the PVC-100 Module. Please refer to P/N 1-5001 R2.14 for full installation Instructions and ratings

TB5: PVC-RMI (NOTE 2, 4, 6)
 TER 1: Circuit Neg
 TER 2: +24VDC (0.5A)
 TER 3: Audio -
 TER 4: Audio +
 TER 5: RS 485 -
 TER 6: RS 485 +
 TER 7: No Connection

P8: I2C Port
 10 Pin Connector
 PVC-ZM/SL8/IL8/OL8

FACTORY DEFAULT SWITCH SETTINGS:

SN1	SN2
1 = OFF Temporal Whoop Signal	1 = OFF 8 sec. initial delay
2 = X Do not use	2 = ON
3 = X Do not use	3 = OFF
4 = Fault Code Lock	4 = ON 8 sec. repeat delay
5 = X Do not use	5 = OFF
6 = AC Fault Delay	6 = ON Message On
7 = ON Battery connected	7 = OFF 3 Repeats
8 = ON Mic connected	8 = ON

Note: All Switch settings refer to Fire Tone/Message only. All MNS Tone/Messages must be Pre-Configured for System.

MNS Tone/Messages will play continuous until reset.



P/N 1-5001M R3.14

firealarmresources.com

For technical assistance please call:
866-956-1211
 5757 Phantom Dr. St. Louis, Missouri 63042
 www.pottersignal.com

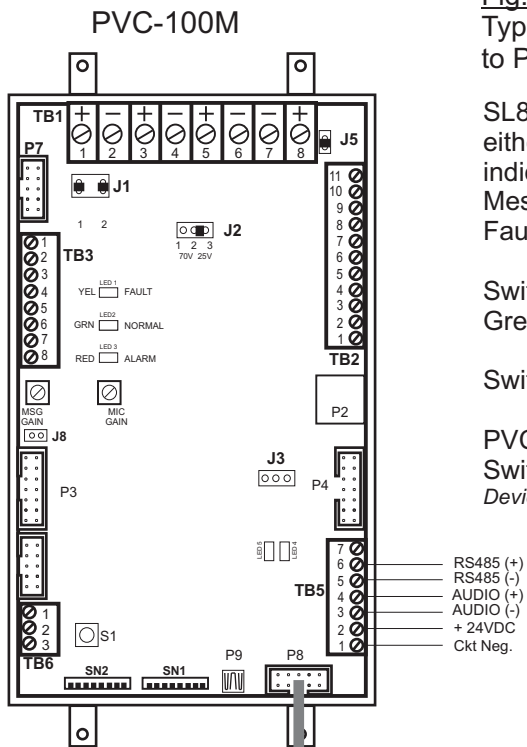


Fig. 3
Typical connection from PVC-100M to PVC-SL8 and PVC-RM8

SL8 LEDs: On the Switch/LED card which may be utilized with either the PVC-100M or the PVC-RMI, Page Switch LEDs will indicate steady Red for Paging, flashing Red for Alarm. MNS Messages will indicate Green on any associated Zone. Any Zone in Fault will indicate Amber.

Switches used for Message activation will indicate Red for Alarm or Green for MNS Messages.

Switches used for Output activation will indicate Red.

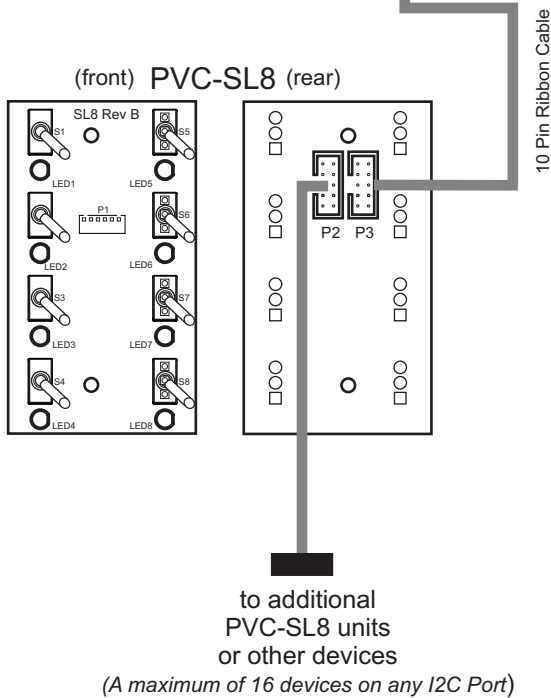
PVC-IL8 inputs may also be used for MNS Message activation. Switch or Contact device must be Listed to UL2572/UL2017. Device must be in the same room, within 20' and piped to PVX 100M cabinet

Connection to PVC-RM8 (PVC-RMI / SL8 combinations)
Refer to Installation Instruction PVC-RMI R11.13 for full installation and ratings.
6 conductors (Three pairs)

WIRING GUIDE

WIRE TYPE	MAX WIRE RESISTANCE	MAX WIRE CAPACITANCE	MAX WIRE LENGTH
22 AWG min. Twisted Pair	120 Ohms	.5uf	4000'

Wire for 24 VDC pair must be sized to insure no more than a 20% drop in voltage at the last device



Zoning

When required, the PVX 100M may use a PVC-ZM for separate speaker circuits. These may be activated All Call or by manual selection utilizing the PVC-SL8. Default operation is All Call on any Alarm/MNS Event.

Separate Switch or Contacts may also be employed. Any external control input must be Listed to UL2572/UL2017. Device must be in the same room, within 20' and piped to PVX 100M cabinet

Refer to Installation Instructions P/N 1-5022 E2.14 for full installation and ratings.

Mass Notification Operational Guidelines

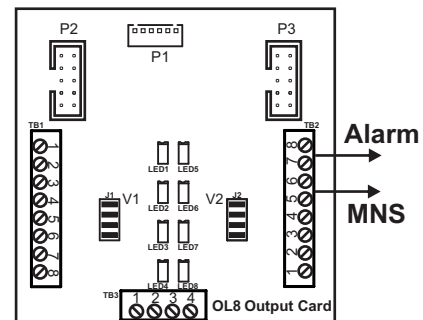
The PVX 100M is capable of operating In conjunction with a Listed FACP or stand alone for MNS applications.

When used with a Listed FACP, any condition where the MNS signal may override the FACP Alarm will require an PVC-OL8 with an output point programmed for MNS. This point will activate on any MNS signal activation as long as there is no overriding FACP Alarm condition. When the FACP is in Alarm, if it is overridden by an MNS event, the FACP must pick up this Contact closure and report the condition as a Supervisory event.

In stand alone mode, no FACP, the PVX100M/200M must utilize an PVC-SL8 with its first position Switch/LED programmed for Power/Fault reporting. In this mode the LED will be Steady Green for Normal operating conditions. The LED will flash Amber for all Fault conditions except loss of AC Power. In that event the LED will remain steady On regardless of any other existing Fault.

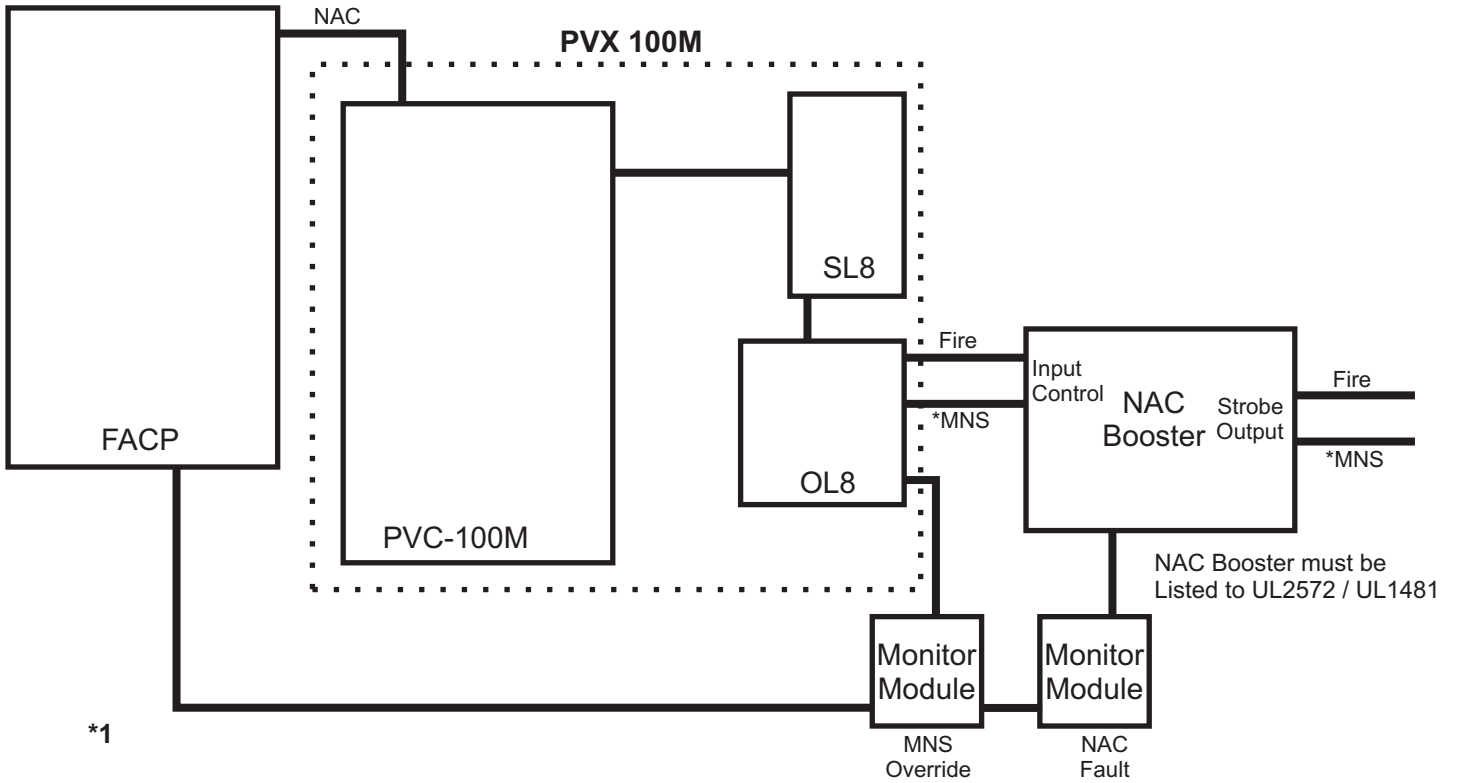
If Amber Strobes are used those circuits must be monitored and reported separately from the Alarm/White Strobe circuits. A PVC-IL8 input may be programmed for Fault to meet this requirement.

The Alarm and MNS control points of the PVC-OL8 may also be used to trip control points for Amber or White Strobes as requirements may demand.



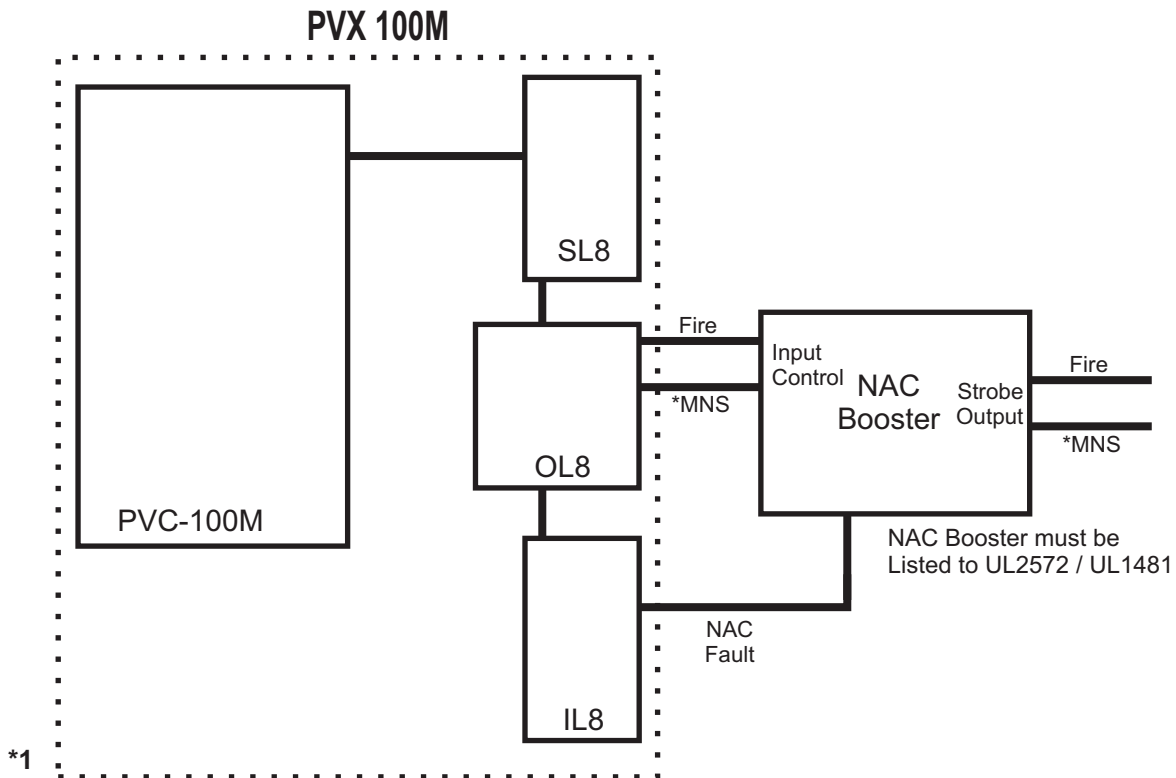
Refer to Installation Instruction PVC-SL8-IL8-OL8 R2.14 for full installation and ratings.

PVX 100M w/FACP



The PVX 100M may be used in conjunction with a UL Listed FACP. The FACP must be capable of monitoring contacts for Fault conditions and Supervisory conditions in order to report a MNS override.

PVX 100M Standalone



In applications where no automatic Fire Alarm initiation or notification is required, the PVX 100M may be used as a Standalone system. The PVC-IL8 will provide input points to monitor the Fault status of the NAC Booster.

***1 Note: Connecting equipment must be in the same room within 20' and piped together**
firealarmresources.com



For technical assistance please call:

866-956-1211

5757 Phantom Dr. St. Louis, Missouri 63042

www.pottersignal.com