

proctor|silex

12 Cup Coffee Maker Cafetière 12 tasses Cafetera de 12 tazas

**Read before use.
Lire avant utilisation.
Lea antes de usar.**

Recipes, tips, product information and registration:
proctorsilex.com

Recettes, des conseils, des renseignements sur le produit et l'enregistrement :
proctorsilex.ca

Recetas, consejos, información del producto y registro:
proctorsilex.com.mx

Le invitamos a leer cuidadosamente este instructivo antes de usar su aparato.

ENTER TO WIN \$100 TO SPEND ON WEBSITE

Visit register.proctorsilex.com

PARTICIPEZ POUR COURIR LA CHANCE DE GAGNER UN MONTANT DE 100 \$ À DÉPENSER SUR NOTRE SITE WEB

Visitez le register.proctorsilex.com

INGRESE PARA TENER LA OPORTUNIDAD DE GANAR \$100 PARA GASTAR EN NUESTRO SITIO WEB

Visite register.proctorsilex.com.mx



Open to US customers only • Ce concours s'adresse aux clients des États-Unis seulement • Este concurso está disponible solo a clientes de los Estados Unidos

IMPORTANT SAFEGUARDS

When using electrical appliances, basic safety precautions should always be followed to reduce the risk of fire, electric shock, and/or injury to persons, including the following:

1. Read all instructions.
2. This appliance is not intended for use by persons (including children) with reduced physical, sensory, or mental capabilities, or lack of experience and knowledge, unless they are closely supervised and instructed concerning use of the appliance by a person responsible for their safety.
3. Close supervision is necessary when any appliance is used by or near children. Cleaning and user maintenance shall not be made by children without supervision. Children should be supervised to ensure that they do not play with the appliance.
4. Do not touch hot surfaces. Use handles or knobs. Care must be taken, as burns can occur from touching hot parts or from spilled, hot liquid.
5. To protect against electric shock, do not place cord, plug or coffee maker in water or other liquid.
6. Unplug from outlet when either the coffee maker or clock is not in use and before cleaning. Allow to cool before putting on or taking off parts and before cleaning the appliance.
7. Coffee maker must be operated on a flat surface away from the edge of counter to prevent accidental tipping.
8. The use of accessory attachments not recommended by the appliance manufacturer may cause injuries.
9. Do not operate any appliance with a damaged supply cord or plug, or after the appliance malfunctions or has been dropped or damaged in any manner. Supply cord replacement and repairs must be conducted by the manufacturer, its service agent, or similarly qualified persons in order to avoid a hazard.
10. Use only the carafe provided with the appliance.
11. Do not use outdoors.
12. Do not let cord hang over edge of table or counter or touch hot surfaces, including the stove.
13. The carafe is designed for use with this coffee maker. It must never be used on a range top or in a microwave oven.
14. Do not set hot carafe on a wet or cold surface.
15. Do not use a cracked carafe or one with a loose or weakened handle.
16. Do not clean carafe with cleansers, steel wool pads, or other abrasive materials.
17. Be certain carafe lid is securely in place during brew cycle and when pouring coffee. Do not use force when placing lid on carafe.
18. Do not place coffee maker on or near a hot gas or electric burner or in a heated oven.
19. To disconnect coffee maker, turn controls to OFF (O) and then remove plug from wall outlet.
20. **WARNING!** To reduce the risk of fire or electric shock, do not remove the bottom cover. No user-serviceable parts are inside. Repair should be done by authorized service personnel only.
21. Do not use appliance for other than intended use.
22. Warming plate may remain hot after the coffee maker is turned off.
23. Do not place coffee maker in a cabinet when in use.
24. Scalding may occur if the filter basket is opened during the brewing cycles.

SAVE THESE INSTRUCTIONS


Other Consumer Safety Information


This appliance is intended for household use only.

⚠ WARNING Electrical Shock Hazard:
This product is provided with a polarized plug (one wide blade) to reduce the risk of electric shock. The plug fits only one way into a polarized outlet. Do not defeat the safety purpose of the plug by modifying the plug in any way or by using an adapter. If the plug does not fit fully into the outlet, reverse the plug. If it still does not fit, have an electrician replace the outlet.

The length of the cord used on this appliance was selected to reduce the hazards of becoming tangled in or tripping over a longer cord. If a longer cord is necessary, an approved extension cord may be used. The electrical rating of the extension cord must be equal to or greater than the rating of the appliance. Care must be taken to arrange the extension cord so that it will not drape over the countertop or tabletop where it can be pulled on by children or accidentally tripped over.

Carafe Safety Tips

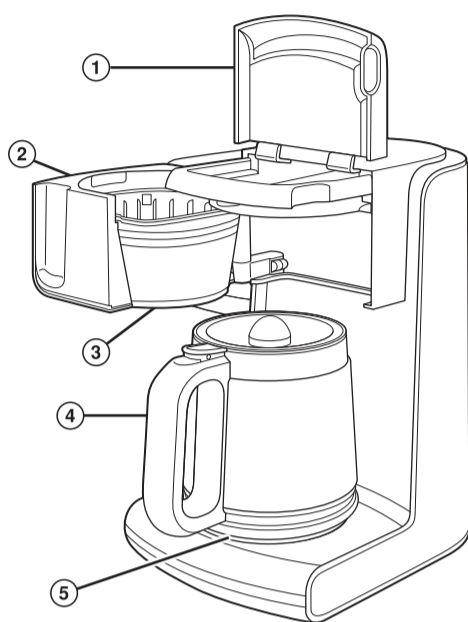
 This symbol alerts you to the potential danger for personal injury if you fail to read and follow these safety precautions.

 This symbol reminds you that glass is fragile and can break, which could result in personal injury.

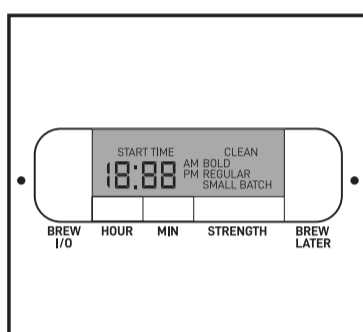
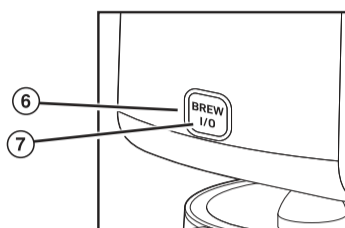
- Do not use a cracked carafe or a carafe having a loose or weakened handle.
- This carafe is designed to be used only on the warming plate of your coffee maker. Do not use on a gas or electric rangetop, or in a microwave or conventional oven.
- To avoid breakage, handle carafe with care. Avoid impact. Glass will break as a result of impact. Use care when filling with water to avoid hitting faucet.
- Do not place hot carafe on cool or wet surface. Allow to cool before washing or adding liquids.
- Do not set empty carafe on a hot heating surface.
- Do not clean with steel wool pads, abrasive cleanser, or any other materials that may scratch.

- Do not place hands inside carafe. When handling, be careful if wearing any hand jewelry, especially diamond rings. Jewelry can scratch the glass, which increases possibility of breakage.
- Do not bump, scratch, or boil dry.
- Discard carafe if it is cracked, scratched, or heated while empty for an extended period of time.
- To avoid accidents, do not pour in the direction of people.
- If stirring in the carafe, use only wooden, plastic, or rubber utensils. Do not use metal utensils.
- Follow the above safety precautions carefully to avoid serious burn injuries which may result if breakage occurs while carafe holds heated liquids.

Parts and Features



To order parts, visit:
proctorsilex.com/parts
proctorsilex.ca/parts



Control Panel
(on select models)

- 1. Water Fill Lid
- 2. Swing-Out Brew Basket
- 3. Filter Basket
- 4. Carafe
- 5. Warming Plate

- 6. Brewing Indicator Light
- 7. ON/OFF (I/O) BREW Button

How to Make Coffee

⚠ WARNING Burn Hazard. If filter basket overflow occurs, unplug coffee maker and allow coffee in filter basket to cool before removing filter basket. To avoid hot coffee overflowing from the filter basket:

- When using decaffeinated coffee, do not exceed the coffee manufacturer's recommended serving amount.
- The carafe must be replaced within 20 seconds of being removed to prevent overflow.

Before first use: Clean Coffee Maker by following steps in "Care and Cleaning."

1. Place a 8–12 cup basket style paper filter in Filter Basket. Ensure Filter Basket is fully inserted into Brew Basket.
2. Add desired amount of ground coffee to paper filter. Use one level tablespoon ground coffee for each cup.
3. Push Brew Basket counterclockwise to close, and ensure it clicks into place. Do not open until brewing cycle is complete and unit is cool.
4. Fill Carafe with desired amount of water. Lift Water Fill Lid and slowly pour water into reservoir. Do not fill above maximum mark on reservoir.
5. Close Water Fill Lid.
6. Place Carafe, with lid attached, on Warming Plate.
7. Press ON/OFF (I/O) BREW Button to start brewing and Brewing Indicator Light will illuminate white. Press OFF (O) Button after brewing or Coffee Maker will automatically shut off after 2 hours.

Brewing Chart

- Measurements are based on a 5 oz. (148 ml) cup of coffee.
- These measurements will vary based on type of coffee used.

Cups of Coffee to Make*	Water Needed to Brew	Ground Coffee Needed
12	60 oz. (1774 ml)	12 tbsp. (60 g)
10	50 oz. (1478 ml)	10 tbsp. (50 g)
8	40 oz. (1183 ml)	8 tbsp. (40 g)
6	30 oz. (887 ml)	6 tbsp. (30 g)
4	20 oz. (591 ml)	4 tbsp. (20 g)

* 1 standard cup of coffee = 5 oz. (148 ml)

Features

Pause 'N Serve

This feature allows you to pour a cup of coffee before entire brew cycle has completed. By removing Carafe, flow of coffee will temporarily stop. Flow of coffee will resume when Carafe is returned to Warming Plate.

⚠ WARNING Burn Hazard. Return carafe to base within 20 seconds. Hot water continues to flow into filter basket when this feature is used. Overflowing coffee and hot water are a burn hazard.

Digital clock (on select models)

To set clock:

1. Plug in Coffee Maker.
2. To set time of day, pulse HOUR button until desired hour is set in AM or PM. Pulse MIN button until desired minutes are set.

How to program BREW LATER (on select models)

1. Make sure clock is set for correct time of day.
2. Fill Coffee Maker with desired amount of water and coffee. Place Carafe with lid on Warming Plate. Close Water Fill Lid.
3. While holding BREW LATER button, pulse HOUR button to set desired brewing hour in AM or PM. Then, pulse MIN button to increase to set minutes. Set time will display. Release BREW LATER button and current time is displayed.
4. Press and release BREW LATER button again to activate automatic brew. BREW LATER light will come on.

Care and Cleaning

1. Unplug Coffee Maker.
2. Carafe, Filter Basket, and Lid are dishwasher-safe, or wash in hot, soapy water. Rinse and dry.

Monthly Cleaning

1. Plug in Coffee Maker.
2. Follow "How to Make Coffee," adding 1 cup (237 ml) of plain white vinegar instead of water to water reservoir for one brew cycle.
NOTE: Do not add coffee or a filter in "How to Make Coffee" steps.
3. Press BREW (I/O) Button to start. After 30 seconds, press BREW (I/O) Button to turn off. Wait 30 minutes to allow vinegar to clean. Then press BREW (I/O) Button again to turn Coffee Maker off. When finished, let cool. Follow steps 4 and 5.

Limited Warranty

This warranty applies to products purchased and used in the U.S. and Canada. This is the only express warranty for this product and is in lieu of any other warranty or condition. This product is warranted to be free from defects in material and workmanship for a period of three (3) years from the date of original purchase. During this period, your exclusive remedy is replacement of this product or any component found to be defective, at our option; however, you are responsible for all costs associated with our returning a product or component under this warranty to you. If the product or component is unavailable, we will replace with a similar one of equal or greater value. This warranty does not cover glass, filters, wear from normal use, use not in conformity with the printed directions, or damage to the product resulting from accident, alteration, abuse, or misuse. This warranty extends only to the original consumer purchaser or gift recipient. Keep the original sales receipt, as proof of purchase is required to make a warranty claim. This warranty is void if the product is used for other than single-family household use or subjected to any voltage and waveform other than as specified on the rating label (e.g., 120 V ~ 60 Hz).

3. Wipe outside with a soft damp cloth and dry. Do not use abrasive cleaners, as they will scratch finish of product.
NOTE: Clock models will display CLEAN to let you know it is time to clean your Coffee Maker.

4. Empty Carafe and rinse. Open Water Fill Lid. Pour desired amount of water into water reservoir. Place Carafe on Warming Plate. Close Water Fill Lid.
5. Press BREW (I/O) Button to turn on. When brew cycle is complete, empty Carafe and press BREW (I/O) Button to turn off. Allow to cool, then repeat with one more carafe of cold water.
6. Press OFF (O) Button after brewing or coffee Maker will automatically shut off after 2 hours.

We exclude all claims for special, incidental, and consequential damages caused by breach of express or implied warranty. All liability is limited to the amount of the purchase price. **Every implied warranty, including any statutory warranty or condition of merchantability or fitness for a particular purpose, is disclaimed except to the extent prohibited by law, in which case such warranty or condition is limited to the duration of this written warranty.**

This warranty gives you specific legal rights. You may have other legal rights that vary depending on where you live. Some states or provinces do not allow limitations on implied warranties or special, incidental, or consequential damages, so the foregoing limitations may not apply to you.

To make warranty claim, do not return this appliance to the store. Please write Hamilton Beach Brands, Inc., Customer Service Department, 4421 Waterfront Dr., Glen Allen, VA 23060, or visit proctorsilex.com/customer-service in the U.S. or proctorsilex.ca/customer-service in Canada. For faster service, locate the model, type, and series numbers on your appliance.

proctor|sillex

**Grupo HB PS, S.A. de C.V.
Monte Elbruz No. 124 - 401
Col. Polanco V Sección,
Miguel Hidalgo
Ciudad de México, C.P. 11560**

Ciudad de México**ELECTRODOMÉSTICOS**

Av. Plutarco Elias Calles No. 1499

Zacahuitzco, Benito Juárez,

Ciudad de México, C.P. 09490

Tel: 55 5235 2323

CASA GARCÍA

Av. Patriotismo No. 875-B

Mixcoac, Benito Juárez,

Ciudad de México, C.P. 03910

Tel: 55 5563 8723

Nuevo León**FERNANDO SEPÚLVEDA REFACCIONES**

Ruperto Martínez No. 238 Ote.

Col. Centro Monterrey, N.L., CP 64000

Tel: 81 8343 6700

Jalisco**SERVICIOS DE MANTENIMIENTO CASTILLO**

Garibaldi NO. 1450

Ladrón de Guevara, Guadalajara, Jalisco, C.P. 44660

Tel: 33 3825 3480

Modelos:

43686, 43687

Tipo:

A144

Características eléctricas:

120 V ~ 60 Hz 1200 W