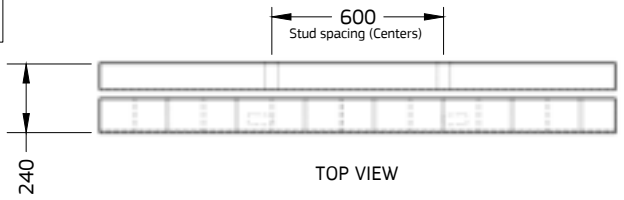
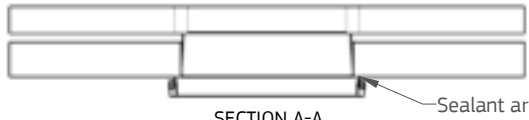


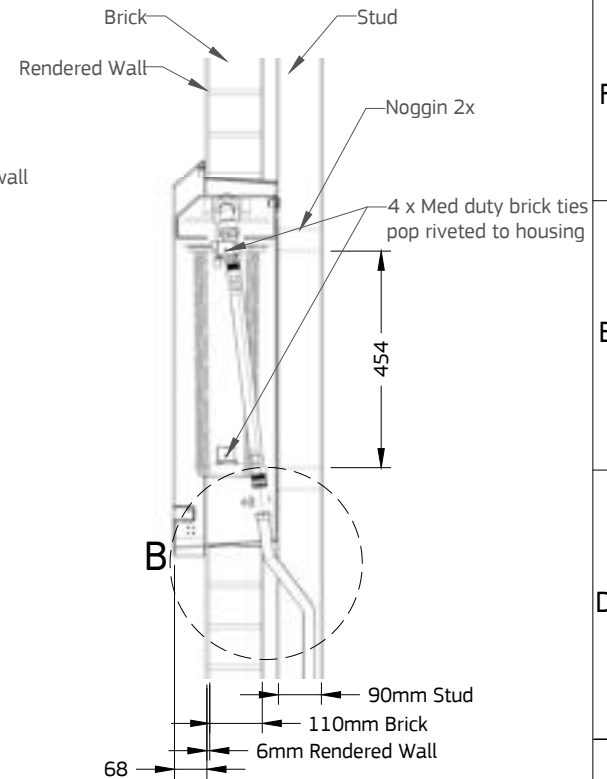
A4



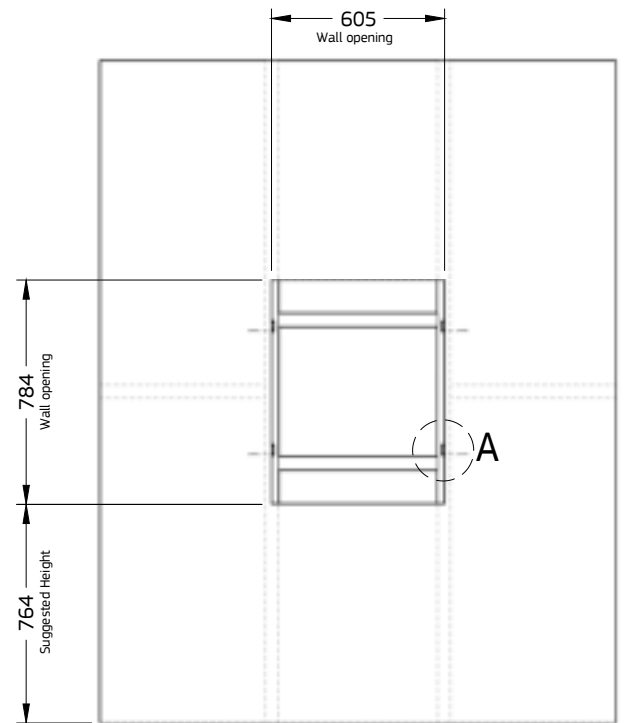
TOP VIEW



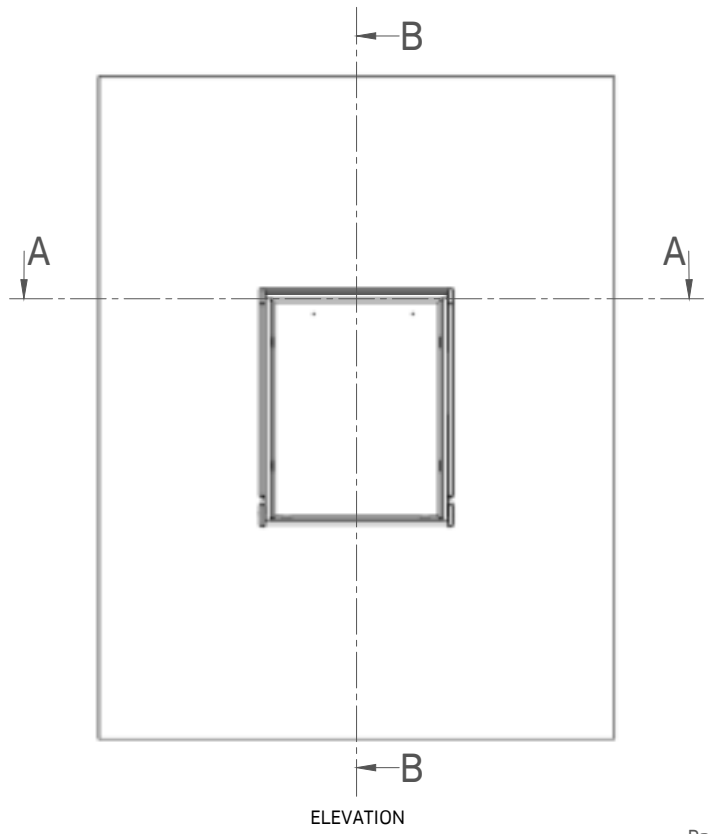
SECTION A-A



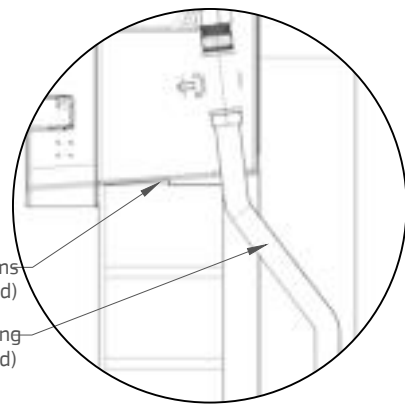
SECTION B-B



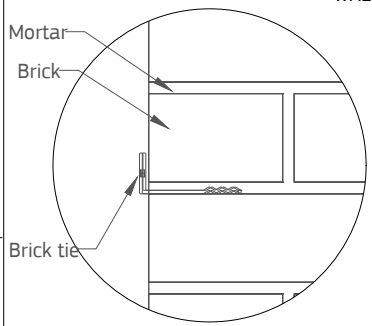
WALL CUTOUT ELEVATION



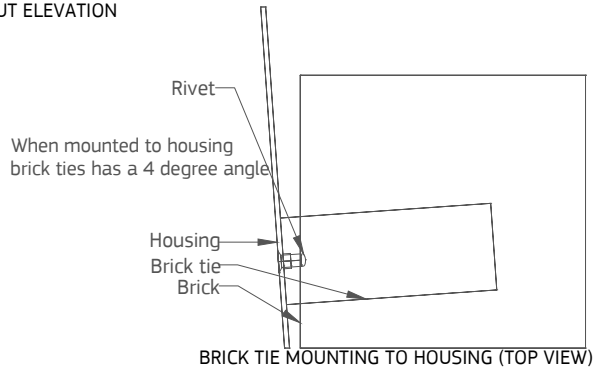
ELEVATION



DETAIL B



DETAIL A



BRICK TIE MOUNTING TO HOUSING (TOP VIEW)

Note: All dimensions are in millimeters  
 Disclaimer:  
 Example installation shown. Ensure Australian building standard are met during installation.

DRAWN BY A.L.	DATE 07/03/2023	APPROVED BY S.M.	EMAIL ADDRESS marketing@puretecgroup.com	SCALE NTS	3RD ANGLE PROJECTION
			NAME FILTERWALL INSTALLATION		A
			DESCRIPTION 110MM RENDERED BRICK WALL (Option 1)		